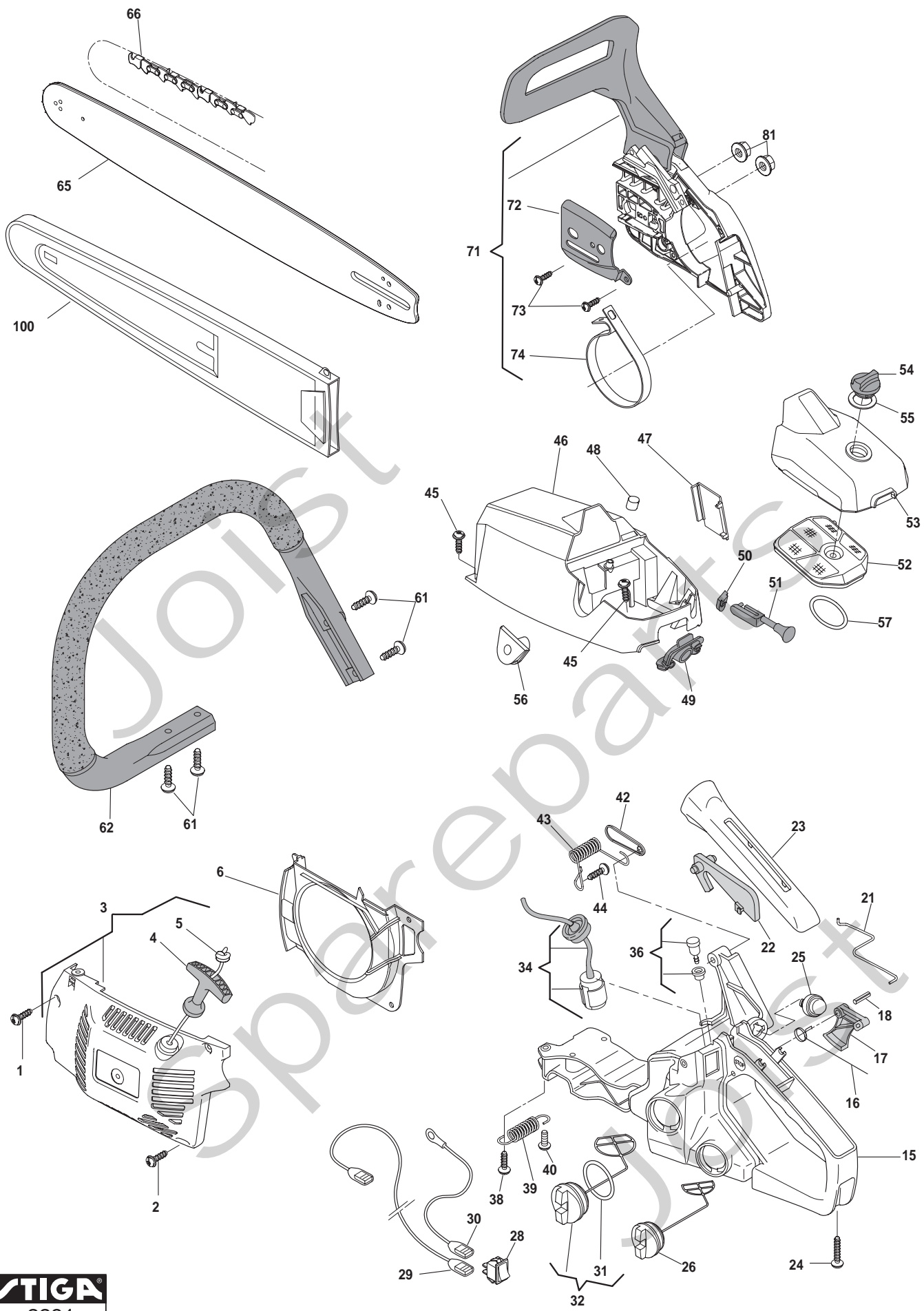


# Genuine Spare Parts

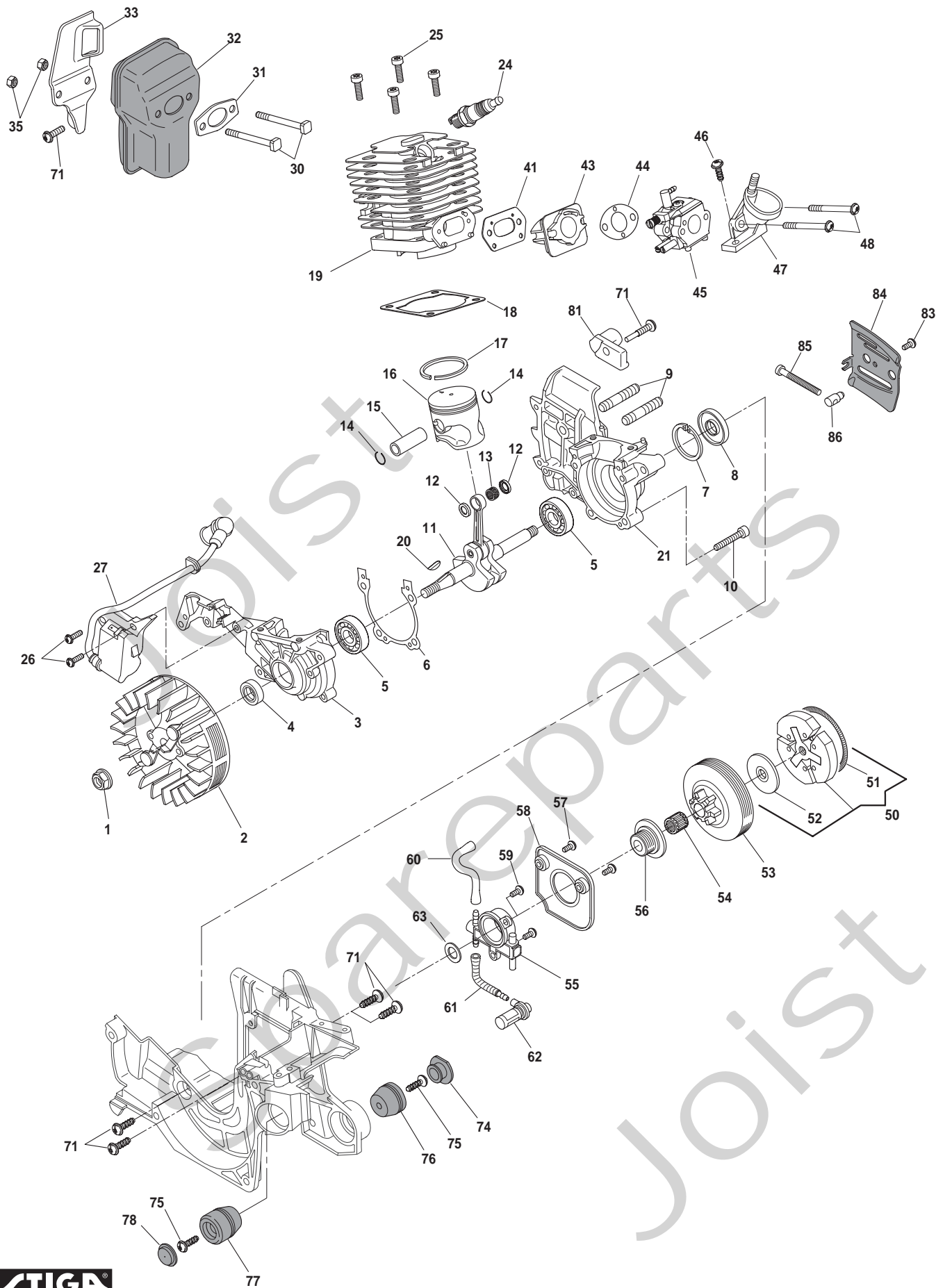
---



Joist  
Spareparts  
Joist



| Utgåva<br>Issue |                | Bildnr<br>Picture No |  | SP 338<br>CHASSI |                   | SP 338<br>CHASSIS         |                              | Sida<br>Page |                     |
|-----------------|----------------|----------------------|--|------------------|-------------------|---------------------------|------------------------------|--------------|---------------------|
| 2007- 12        |                | 2231                 |  |                  |                   |                           |                              | 358          |                     |
| Pos.<br>Fig.    | Antal/Quantity |                      |  |                  | Art nr<br>Part No | Benämning                 | Description                  | Sats<br>Kit  | Anmärkning<br>Notes |
|                 | 4133           |                      |  |                  |                   |                           |                              |              |                     |
|                 | -21            |                      |  |                  |                   |                           |                              |              |                     |
| 1               | 1              |                      |  |                  | 6981427           | Skruv .....               | Screw .....                  |              |                     |
| 2               | 2              |                      |  |                  | 6981425           | Skruv .....               | Screw .....                  |              |                     |
| 3               | 1              |                      |  |                  | 6981377           | Start kpl .....           | Starter assy .....           |              | Inkl. pos 4 - 5     |
| 4               | 1              |                      |  |                  | 6981381           | • Starthandtag .....      | • Starter handle .....       |              |                     |
| 5               | 1              |                      |  |                  | 6981383           | • Startsnöre .....        | • Starter rope .....         |              |                     |
| 6               | 1              |                      |  |                  | 6981378           | Luftledare .....          | Air conveyor .....           |              |                     |
| 15              | 1              |                      |  |                  | 6981394           | Handtag- gul .....        | Handle- yellow .....         |              |                     |
| 16              | 1              |                      |  |                  | 6981392           | Fjäder .....              | Spring .....                 |              |                     |
| 17              | 1              |                      |  |                  | 6981391           | Gasreglage .....          | Throttle lever .....         |              |                     |
| 18              | 1              |                      |  |                  | 6981437           | Stift .....               | Pin .....                    |              |                     |
| 21              | 1              |                      |  |                  | 6981331           | Gasreglagelänk .....      | Throttle link .....          |              |                     |
| 22              | 1              |                      |  |                  | 6981393           | Säkerhetsspärr .....      | Safety lever .....           |              |                     |
| 23              | 1              |                      |  |                  | 6981385           | Handtag- övre .....       | Handle- upper .....          |              |                     |
| 24              | 1              |                      |  |                  | 6981427           | Skruv .....               | Screw .....                  |              |                     |
| 25              | 1              |                      |  |                  | 6981320           | Primer .....              | Primer pump .....            |              |                     |
| 26              | 1              |                      |  |                  | 6981396           | Tanklock .....            | Tank cap .....               |              |                     |
| 28              | 1              |                      |  |                  | 6981372           | Brytare .....             | Switch .....                 |              |                     |
| 29              | 1              |                      |  |                  | 6981371           | Kabel .....               | Wire .....                   |              |                     |
| 30              | 1              |                      |  |                  | 6981438           | Jordkabel .....           | Earth wire .....             |              |                     |
| 31              | 1              |                      |  |                  | 6981415           | • Packning .....          | • Gasket .....               |              |                     |
| 32              | 1              |                      |  |                  | 6981319           | Tanklock .....            | Tank cap .....               |              | Inkl. pos 31        |
| 34              | 1              |                      |  |                  | 6981416           | Bränslefilter .....       | Fuel intake filter .....     |              |                     |
| 36              | 1              |                      |  |                  | 6981417           | Ventil kpl .....          | Breather valve assy .....    |              |                     |
| 38              | 1              |                      |  |                  | 6981425           | Skruv .....               | Screw .....                  |              |                     |
| 39              | 1              |                      |  |                  | 6981330           | Fjäder .....              | Spring .....                 |              |                     |
| 40              | 1              |                      |  |                  | 6981426           | Skruv .....               | Screw .....                  |              |                     |
| 42              | 1              |                      |  |                  | 6981327           | Plåt .....                | Plate .....                  |              |                     |
| 43              | 1              |                      |  |                  | 6981329           | Fjäder .....              | Spring .....                 |              |                     |
| 44              | 1              |                      |  |                  | 6981425           | Skruv .....               | Screw .....                  |              |                     |
| 45              | 4              |                      |  |                  | 6981425           | Skruv .....               | Screw .....                  |              |                     |
| 46              | 1              |                      |  |                  | 6981400           | Cylinderkåpa- gul .....   | Cylinder cover- yellow ..... |              |                     |
| 47              | 1              |                      |  |                  | 6981403           | Lock .....                | Cap .....                    |              |                     |
| 48              | 1              |                      |  |                  | 6981402           | Plugg .....               | Cap .....                    |              |                     |
| 49              | 1              |                      |  |                  | 6981332           | Gummihylsa .....          | Grommet .....                |              |                     |
| 50              | 1              |                      |  |                  | 6981325           | Gummihylsa .....          | Grommet .....                |              |                     |
| 51              | 1              |                      |  |                  | 6981324           | Chokereglage .....        | Choke lever .....            |              |                     |
| 52              | 1              |                      |  |                  | 6981322           | Luftfilter .....          | Air filter element .....     |              |                     |
| 53              | 1              |                      |  |                  | 6981321           | Luftfilterlock- gul ..... | Air cleaner cover- yel ..... |              |                     |
| 54              | 1              |                      |  |                  | 6981405           | Låsratt .....             | Knob .....                   |              |                     |
| 55              | 1              |                      |  |                  | 6981404           | Bricka .....              | Washer .....                 |              |                     |
| 56              | 1              |                      |  |                  | 6981401           | Gummihylsa .....          | Grommet .....                |              |                     |
| 57              | 1              |                      |  |                  | 6981424           | Packning .....            | Gasket .....                 |              |                     |
| 61              | 4              |                      |  |                  | 6981427           | Skruv .....               | Screw .....                  |              |                     |
| 62              | 1              |                      |  |                  | 6981323           | Handtag .....             | Handle .....                 |              |                     |
| 65              | 1              |                      |  |                  | 6981440           | Svärd .....               | Bar .....                    |              | 16"                 |
| 66              | 1              |                      |  |                  | 1519- 9001-57     | Kedja (57E) .....         | Chain (57E) .....            |              | 91VG (3/8")         |
| 71              | 1              |                      |  |                  | 6981398           | Kopplingshus kpl .....    | Clutch housing assy .....    |              | Inkl. pos 72 - 74   |
| 72              | 1              |                      |  |                  | 6981399           | • Svärdplåt .....         | • Bar plate .....            |              |                     |
| 73              | 2              |                      |  |                  | 6981441           | • Skruv .....             | • Screw .....                |              |                     |
| 74              | 1              |                      |  |                  | 6981423           | • Bromsband .....         | • Brake band .....           |              |                     |
| 81              | 2              |                      |  |                  | 6981428           | Mutter .....              | Nut .....                    |              |                     |
| 100             | 1              |                      |  |                  | 4181307           | Kedjeskydd .....          | Chain cover .....            |              | 16"                 |



| Utgåva<br>Issue |                | Bildnr<br>Picture No |  | SP 338<br>MOTOR |                       | SP 338<br>ENGINE      |             | Sida<br>Page |                     |
|-----------------|----------------|----------------------|--|-----------------|-----------------------|-----------------------|-------------|--------------|---------------------|
| 2007- 12        |                | 2232                 |  |                 |                       |                       |             | 360          |                     |
| Pos.<br>Fig.    | Antal/Quantity |                      |  |                 | Art nr<br>Part No     | Benämning             | Description | Sats<br>Kit  | Anmärkning<br>Notes |
|                 | 4133           |                      |  |                 |                       |                       |             |              |                     |
|                 | -21            |                      |  |                 |                       |                       |             |              |                     |
| 1               | 1              |                      |  | 6981436         | Mutter.....           | Nut .....             |             |              |                     |
| 2               | 1              |                      |  | 6981366         | Svängjul.....         | Flywheel .....        |             |              |                     |
| 3               | 1              |                      |  | 6981351         | Vevhus.....           | Crankcase .....       |             |              |                     |
| 4               | 1              |                      |  | 6981355         | Tätningring .....     | Seal ring.....        |             |              |                     |
| 5               | 2              |                      |  | 6981412         | Kullager .....        | Ball bearing .....    |             |              |                     |
| 6               | 1              |                      |  | 6981353         | Packning.....         | Gasket .....          |             |              |                     |
| 7               | 1              |                      |  | 6981315         | Låsring .....         | Elastic ring .....    |             |              |                     |
| 8               | 1              |                      |  | 6981354         | Tätningring .....     | Seal ring .....       |             |              |                     |
| 9               | 2              |                      |  | 6981316         | Pinnbult.....         | Stud bolt .....       |             |              |                     |
| 10              | 4              |                      |  | 6981435         | Skruv.....            | Screw.....            |             |              |                     |
| 11              | 1              |                      |  | 6981360         | Vevaxel .....         | Crankshaft.....       |             |              |                     |
| 12              | 2              |                      |  | 6981359         | Bricka .....          | Washer .....          |             |              |                     |
| 13              | 1              |                      |  | 6981361         | Lager .....           | Bearing.....          |             |              |                     |
| 14              | 2              |                      |  | 6981358         | Låsring .....         | Lock ring .....       |             |              |                     |
| 15              | 1              |                      |  | 6981357         | Kolvbult.....         | Piston pin.....       |             |              |                     |
| 16              | 1              |                      |  | 6981362         | Kolv .....            | Piston.....           |             |              |                     |
| 17              | 1              |                      |  | 6981356         | Kolvring .....        | Piston ring .....     |             |              |                     |
| 18              | 1              |                      |  | 6981346         | Packning.....         | Gasket .....          |             |              |                     |
| 19              | 1              |                      |  | 6981338         | Cylinder .....        | Cylinder.....         |             |              |                     |
| 20              | 1              |                      |  | 6981314         | Kil .....             | Key .....             |             |              |                     |
| 21              | 1              |                      |  | 6981352         | Vevhus.....           | Crankcase .....       |             |              |                     |
| 24              | 1              |                      |  | 9400- 0258- 00  | Tändstift .....       | Spark plug.....       |             |              | Champion CJ7Y       |
| 25              | 4              |                      |  | 6981434         | Skruv .....           | Screw .....           |             |              |                     |
| 26              | 2              |                      |  | 6981433         | Skruv .....           | Screw .....           |             |              |                     |
| 27              | 1              |                      |  | 6981370         | Elektronikspole ..... | Electronic coil ..... |             |              |                     |
| 30              | 2              |                      |  | 6981339         | Skruv .....           | Screw .....           |             |              |                     |
| 31              | 1              |                      |  | 6981347         | Packning.....         | Gasket .....          |             |              |                     |
| 32              | 1              |                      |  | 6981364         | Ljuddämpare .....     | Muffler .....         |             |              |                     |
| 33              | 1              |                      |  | 6981365         | Deflektor .....       | Deflector .....       |             |              |                     |
| 35              | 2              |                      |  | 6981430         | Mutter.....           | Nut .....             |             |              |                     |
| 41              | 1              |                      |  | 6981348         | Packning.....         | Gasket .....          |             |              |                     |
| 43              | 1              |                      |  | 6981344         | Insugningsrör.....    | Intake manifold ..... |             |              |                     |
| 44              | 1              |                      |  | 6981349         | Packning.....         | Gasket .....          |             |              |                     |
| 45              | 1              |                      |  | 6981363         | Förgasare.....        | Carburettor.....      |             |              |                     |
| 46              | 1              |                      |  | 6981337         | Skruv .....           | Screw .....           |             |              |                     |
| 47              | 1              |                      |  | 6981336         | Luftintag .....       | Air manifold .....    |             |              |                     |
| 48              | 2              |                      |  | 6981343         | Skruv .....           | Screw .....           |             |              |                     |
| 50              | 1              |                      |  | 6981373         | Koppling kpl .....    | Clutch assy .....     |             |              | Inkl. pos 51 - 52   |
| 51              | 1              |                      |  | 6981375         | • Fjäder.....         | • Spring .....        |             |              |                     |
| 52              | 1              |                      |  | 6981432         | • Bricka .....        | • Washer .....        |             |              |                     |
| 53              | 1              |                      |  | 6981374         | Koppingshjul .....    | Clutch drum .....     |             |              |                     |
| 54              | 1              |                      |  | 6981335         | Nållager .....        | Needle bearing .....  |             |              |                     |
| 55              | 1              |                      |  | 6981376         | Oljepump .....        | Oil pump .....        |             |              |                     |
| 56              | 1              |                      |  | 6981408         | Honskruv .....        | Female screw .....    |             |              |                     |
| 57              | 2              |                      |  | 6981342         | Skruv .....           | Screw .....           |             |              |                     |
| 58              | 1              |                      |  | 6981326         | Pumplock .....        | Pump cover.....       |             |              |                     |
| 59              | 2              |                      |  | 6981342         | Skruv .....           | Screw .....           |             |              |                     |
| 60              | 1              |                      |  | 6981340         | Rör .....             | Tube .....            |             |              |                     |
| 61              | 1              |                      |  | 6981328         | Oljerör .....         | Oilpickup tube .....  |             |              |                     |
| 62              | 1              |                      |  | 6981422         | Oljefilter .....      | Oil filter .....      |             |              |                     |
| 63              | 1              |                      |  | 6981410         | Bricka .....          | Washer .....          |             |              |                     |
| 71              | 6              |                      |  | 6981429         | Skruv .....           | Screw .....           |             |              |                     |
| 74              | 1              |                      |  | 6981333         | Lock.....             | Cap.....              |             |              |                     |
| 75              | 2              |                      |  | 6981426         | Skruv .....           | Screw .....           |             |              |                     |
| 76              | 1              |                      |  | 6981406         | Dämpement .....       | Shock absorber.....   |             |              |                     |
| 77              | 1              |                      |  | 6981407         | Dämpement .....       | Shock absorber.....   |             |              |                     |
| 78              | 1              |                      |  | 6981334         | Lock.....             | Cap.....              |             |              |                     |
| 81              | 1              |                      |  | 6981341         | Kedjestopp.....       | Chain guard.....      |             |              |                     |
| 83              | 1              |                      |  | 6981431         | Skruv .....           | Screw .....           |             |              |                     |
| 84              | 1              |                      |  | 6981345         | Svärdplåt .....       | Bar plate.....        |             |              |                     |
| 85              | 1              |                      |  | 6981350         | Skruv .....           | Screw .....           |             |              |                     |
| 86              | 1              |                      |  | 6981317         | Kedjesträckare .....  | Chain tightener.....  |             |              |                     |