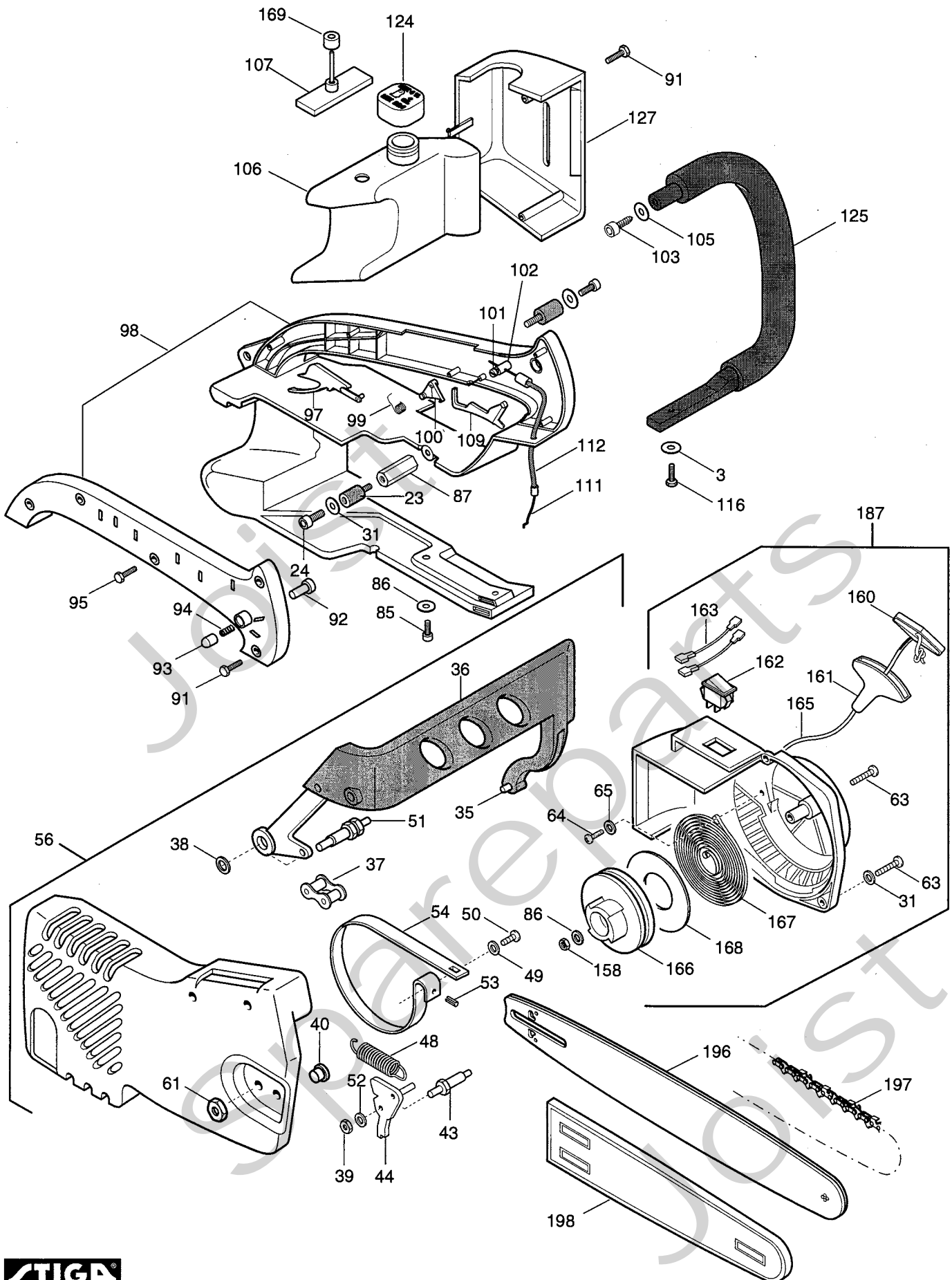


# Genuine Spare Parts

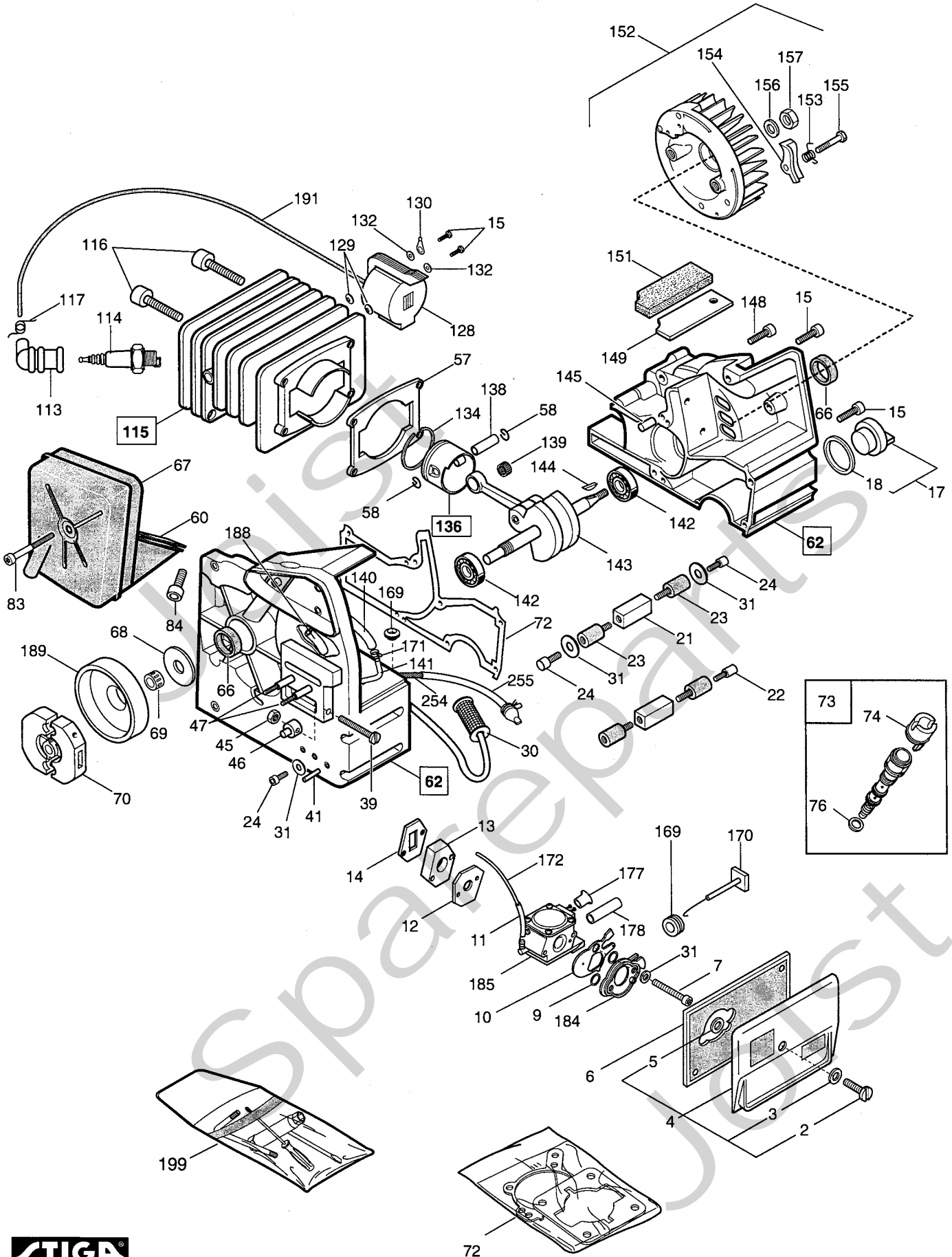
---



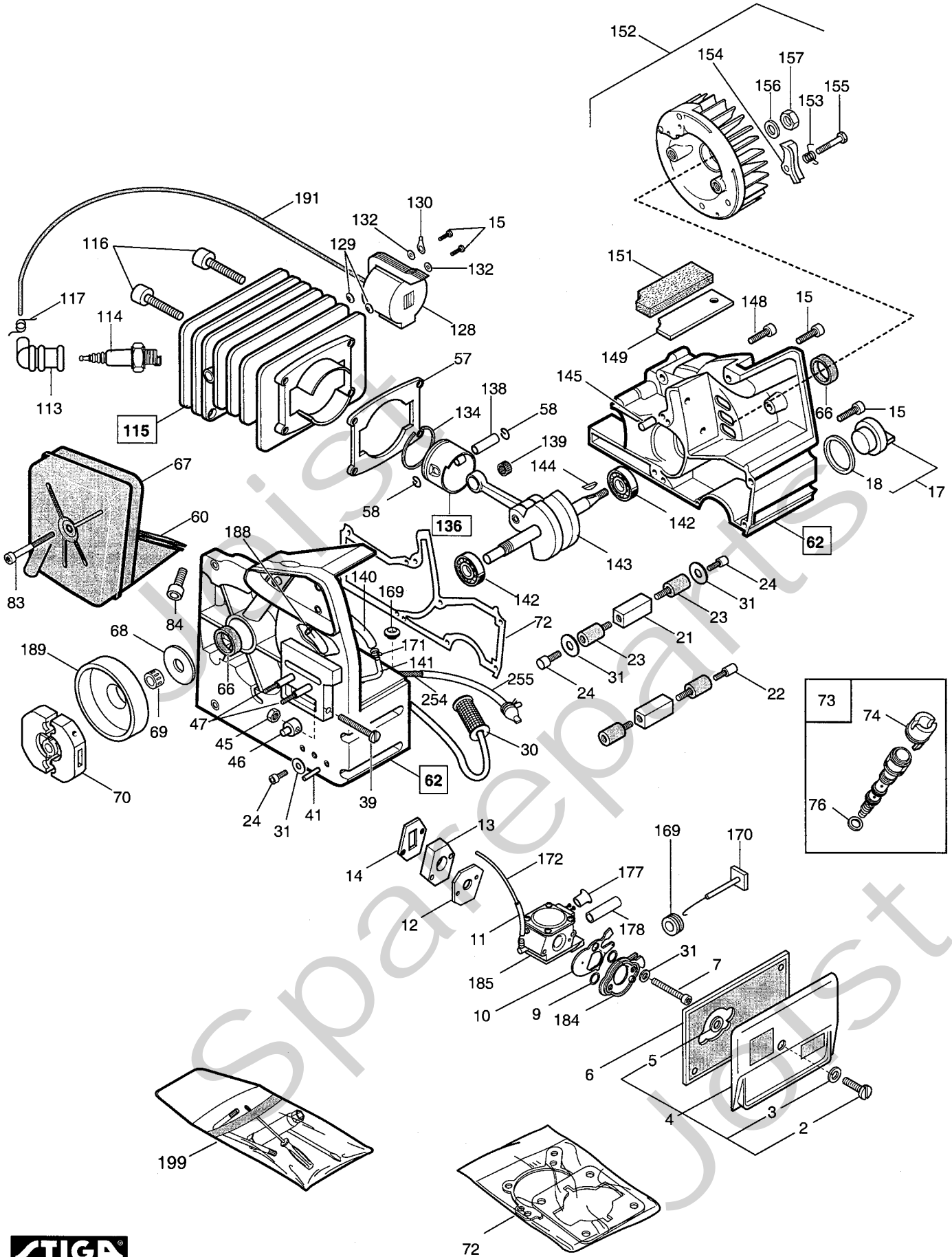
Spareparts  
Joist



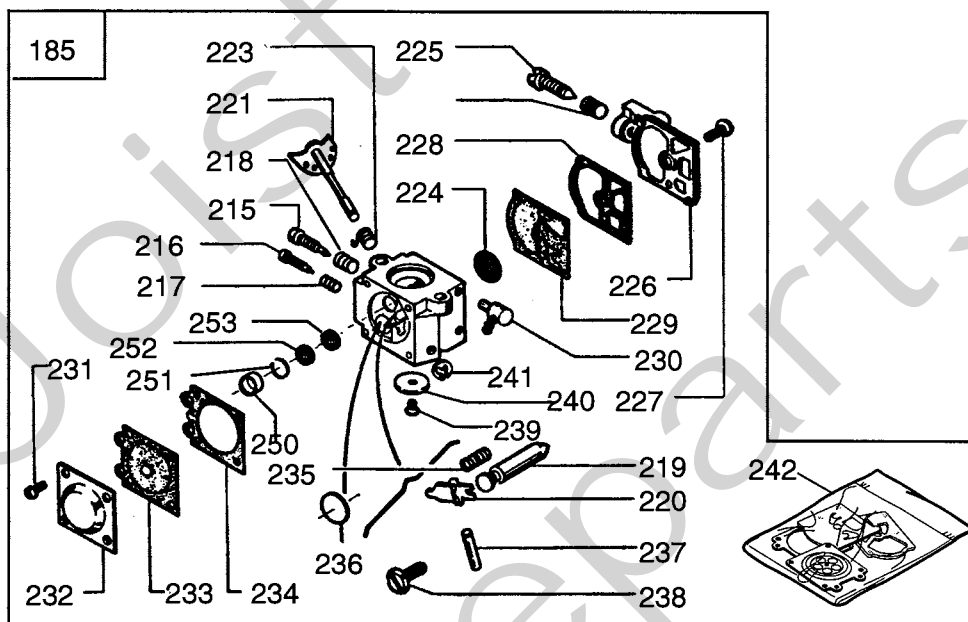
| Utgåva<br>Issue |                | Bildnr<br>Picture No |  | SPR 350<br>KÅPOR  |                              | SPR 350<br>HOUSING             |             | Sida<br>Page        |  |
|-----------------|----------------|----------------------|--|-------------------|------------------------------|--------------------------------|-------------|---------------------|--|
| 2004-12         |                | 1353                 |  |                   |                              |                                |             | 304                 |  |
| Pos.<br>Fig.    | Antal/Quantity |                      |  | Art nr<br>Part No | Benämning                    | Description                    | Sats<br>Kit | Anmärkning<br>Notes |  |
|                 |                |                      |  |                   |                              |                                |             |                     |  |
|                 | 4117           |                      |  |                   |                              |                                |             |                     |  |
| 3               | 2              |                      |  | 1911-3015-01      | Bricka .....                 | Washer .....                   |             |                     |  |
| 23              | 6              |                      |  | 1911-3456-01      | Stötdämpare .....            | Shock absorber .....           |             |                     |  |
| 24              | 5              |                      |  | 1911-3261-01      | Skruv .....                  | Screw .....                    |             |                     |  |
| 31              | 10             |                      |  | 1911-3273-01      | Bricka .....                 | Washer .....                   |             |                     |  |
| 35              | 1              |                      |  | 1911-3388-01      | •• Sprint .....              | •• Pin .....                   |             |                     |  |
| 36              | 1              |                      |  | 1911-3599-01      | • Handskydd kpl. ....        | • Hand guard assy .....        |             | Inkl. pos 35, 37    |  |
| 37              | 1              |                      |  | 1911-3523-01      | •• Kedjelänk .....           | •• Chain connection .....      |             |                     |  |
| 38              | 1              |                      |  | 1911-3270-01      | Bricka .....                 | Washer .....                   |             |                     |  |
| 39              | 1              |                      |  | 1911-3279-01      | Mutter .....                 | Nut .....                      |             |                     |  |
| 40              | 2              |                      |  | 1911-3392-01      | Bussning .....               | Bushing .....                  |             |                     |  |
| 43              | 1              |                      |  | 1911-3383-01      | Pivotaxel .....              | Pivot pin .....                |             |                     |  |
| 44              | 1              |                      |  | 1911-3509-01      | Bromsarm .....               | Brake lever .....              |             |                     |  |
| 48              | 1              |                      |  | 1911-3402-01      | Fjäder .....                 | Spring .....                   |             |                     |  |
| 49              | 1              |                      |  | 1911-3269-01      | Bricka .....                 | Washer .....                   |             |                     |  |
| 50              | 1              |                      |  | 1911-3249-01      | Skruv .....                  | Screw .....                    |             |                     |  |
| 51              | 1              |                      |  | 1911-3382-01      | Pinnbult .....               | Stud .....                     |             |                     |  |
| 52              | 1              |                      |  | 1911-3267-01      | Bricka .....                 | Washer .....                   |             |                     |  |
| 53              | 1              |                      |  | 1911-3323-01      | Elastisk plugg .....         | Elastic plug .....             |             |                     |  |
| 54              | 1              |                      |  | 1911-3341-01      | Bromsband .....              | Brake band .....               |             |                     |  |
| 56              | 1              |                      |  | 1911-3544-01      | Kopplingshus kpl. ....       | Clutch housing assy .....      |             | Inkl. pos 35 - 37   |  |
| 61              | 2              |                      |  | 1911-3378-01      | Svärdmutter .....            | Bar nut .....                  |             |                     |  |
| 63              | 2              |                      |  | 1911-3265-01      | • Skruv .....                | • Screw .....                  |             |                     |  |
| 64              | 1              |                      |  | 1911-3249-01      | • Skruv .....                | • Screw .....                  |             |                     |  |
| 65              | 1              |                      |  | 1911-3016-01      | • Bricka .....               | • Washer .....                 |             |                     |  |
| 85              | 4              |                      |  | 1911-3007-01      | Skruv .....                  | Screw .....                    |             |                     |  |
| 86              | 2              |                      |  | 1911-3216-01      | • Bricka .....               | • Washer .....                 |             |                     |  |
| 87              | 1              |                      |  | 1911-3377-01      | Sexkantsinsats .....         | Hexagonal insert .....         |             |                     |  |
| 91              | 3              |                      |  | 1911-3253-01      | Skruv .....                  | Screw .....                    |             |                     |  |
| 92              | 1              |                      |  | 1911-3385-01      | Spärrpinne .....             | Pin .....                      |             |                     |  |
| 93              | 1              |                      |  | 1911-3475-01      | Spärrknapp .....             | Knob .....                     |             |                     |  |
| 94              | 1              |                      |  | 1911-3400-01      | Spärrfjäder .....            | Spring .....                   |             |                     |  |
| 95              | 4              |                      |  | 1911-3252-01      | Skruv .....                  | Screw .....                    |             |                     |  |
| 97              | 1              |                      |  | 1911-3448-01      | Säkerhetsspärr .....         | Safety lever .....             |             |                     |  |
| 98              | 1              |                      |  | 1911-3598-01      | Handtag kpl .....            | Handle assy .....              |             |                     |  |
| 99              | 1              |                      |  | 1911-3401-01      | Returfjäder .....            | Spring .....                   |             |                     |  |
| 100             | 1              |                      |  | 1911-3446-01      | Gasarm .....                 | Throttle lever .....           |             |                     |  |
| 101             | 1              |                      |  | 1911-3245-01      | Skruv .....                  | Screw .....                    |             |                     |  |
| 102             | 1              |                      |  | 1911-3386-01      | Klämma .....                 | Clip .....                     |             |                     |  |
| 103             | 1              |                      |  | 1911-3251-01      | Skruv .....                  | Screw .....                    |             |                     |  |
| 105             | 1              |                      |  | 1911-3266-01      | Bricka .....                 | Washer .....                   |             |                     |  |
| 106             | 1              |                      |  | 1911-3585-01      | Bränsletank kpl. ....        | Fuel tank assy .....           |             | Inkl. pos 124       |  |
| 107             | 1              |                      |  | 1911-3621-01      | Bränslefilter .....          | Fuel intake filter .....       |             |                     |  |
| 109             | 1              |                      |  | 1911-3447-01      | Gasreglage .....             | Throttle lever .....           |             |                     |  |
| 111             | 1              |                      |  | 1911-3517-01      | Gaswire .....                | Throttle wire .....            |             |                     |  |
| 112             | 1              |                      |  | 1911-3326-01      | Ytterhölje- gaswire .....    | Throttle cable sheath .....    |             |                     |  |
| 116             | 5              |                      |  | 1911-3009-01      | Skruv .....                  | Screw .....                    |             |                     |  |
| 124             | 1              |                      |  | 1911-3515-01      | • Tanklock .....             | • Fuel tank cap .....          |             |                     |  |
| 125             | 1              |                      |  | 1911-3570-01      | Handtag .....                | Handrail .....                 |             |                     |  |
| 127             | 1              |                      |  | 1911-3569-01      | Tankkåpa .....               | Fuel tank cover .....          |             |                     |  |
| 158             | 1              |                      |  | 9747-0531-02      | • Mutter .....               | • Nut .....                    |             |                     |  |
| 160             | 1              |                      |  | 1911-3469-01      | • Inlägg- starthandtag ..... | • Insert- starter handle ..... |             |                     |  |
| 161             | 1              |                      |  | 1911-3468-01      | • Starthandtag .....         | • Starter handle .....         |             |                     |  |
| 162             | 1              |                      |  | 1911-3053-01      | Stoppkontakt .....           | Stop switch .....              |             |                     |  |
| 163             | 2              |                      |  | 1911-3322-01      | Jordkabel .....              | Ground cable .....             |             |                     |  |
| 165             | 1              |                      |  | 1911-3130-01      | • Startsnöre .....           | • Starter cord .....           |             |                     |  |
| 166             | 1              |                      |  | 1911-3527-01      | • Linhjul .....              | • Starter pulley .....         |             |                     |  |
| 167             | 1              |                      |  | 1911-3176-01      | • Startfjäder .....          | • Starter spring .....         |             |                     |  |
| 168             | 1              |                      |  | 1911-3096-01      | • Skiva .....                | • Disc .....                   |             |                     |  |
| 169             | 3              |                      |  | 1911-3463-01      | Gummihylsa .....             | Grommet .....                  |             |                     |  |
| 187             | 1              |                      |  | 1911-3600-01      | Start kpl .....              | Starter assy .....             |             |                     |  |
| 196             | 1              |                      |  | 1911-3224-01      | Svärd .....                  | Bar .....                      |             | 12" (3/8"x0.050)    |  |
| 197             | 1              |                      |  | 1519-9001-44      | Kedja (44E) .....            | Chain (44E) .....              |             | 91VG (3/8")         |  |
| 198             | 1              |                      |  | 1911-3519-01      | Kedjeskydd .....             | Chain cover .....              |             | 14"                 |  |



| Utgåva<br>Issue |                | Bildnr<br>Picture No |  | SPR 350<br>MOTOR  | SPR 350<br>ENGINE        | Sida<br>Page                |             |                      |
|-----------------|----------------|----------------------|--|-------------------|--------------------------|-----------------------------|-------------|----------------------|
| 2004-12         |                | 1354A                |  |                   |                          | 306                         |             |                      |
| Pos.<br>Fig.    | Antal/Quantity |                      |  | Art nr<br>Part No | Benämning                | Description                 | Sats<br>Kit | Anmärkning<br>Notes  |
|                 |                |                      |  |                   |                          |                             |             |                      |
|                 | 4117           |                      |  |                   |                          |                             |             |                      |
| 2               | 1              |                      |  | 1911-3243-01      | • Skruv .....            | • Screw .....               |             |                      |
| 3               | 2              |                      |  | 1911-3015-01      | • Bricka .....           | • Washer .....              |             |                      |
| 4               | 1              |                      |  | 1911-3601-01      | Lufffilterlock kpl.....  | Air filter cover assy ..... |             | Inkl. pos 2, 3, 5    |
| 5               | 1              |                      |  | 1911-3429-01      | • Packning.....          | • Gasket .....              |             |                      |
| 6               | 1              |                      |  | 1911-3493-01      | Lufffilter.....          | Air filter .....            |             |                      |
| 7               | 2              |                      |  | 1911-3014-01      | Skruv .....              | Screw .....                 |             |                      |
| 9               | 2              |                      |  | 1911-3339-01      | Bricka .....             | Washer .....                |             |                      |
| 10              | 1              |                      |  | 1911-3342-01      | Chokespjäll .....        | Choke valve .....           |             |                      |
| 11              | 1              |                      |  | 1911-3501-01      | Slang .....              | Tube .....                  |             |                      |
| 12              | 1              |                      |  | 1911-3443-01      | • Förgasarpackning ..... | • Carburettor gasket .....  |             |                      |
| 13              | 1              |                      |  | 1911-3521-01      | Stöd.....                | Support .....               |             |                      |
| 14              | 1              |                      |  | 1911-3437-01      | • Packning.....          | • Gasket .....              |             |                      |
| 15              | 8              |                      |  | 1911-3259-01      | Skruv .....              | Screw .....                 |             |                      |
| 17              | 1              |                      |  | 1911-3526-01      | Oljetanklock kpl .....   | Oil tank cap assy .....     |             | Inkl. pos 18         |
| 18              | 1              |                      |  | 1911-3428-01      | • Tätningring .....      | • Tank cap seal.....        |             |                      |
| 21              | 2              |                      |  | 1911-3376-01      | Stöd.....                | Support .....               |             |                      |
| 22              | 1              |                      |  | 1911-3292-01      | Skruv.....               | Screw .....                 |             |                      |
| 23              | 6              |                      |  | 1911-3456-01      | Stötdämpare .....        | Shock absorber .....        |             |                      |
| 24              | 5              |                      |  | 1911-3261-01      | Skruv .....              | Screw .....                 |             |                      |
| 30              | 1              |                      |  | 1911-3529-01      | Oljefilter .....         | Oil filter .....            |             |                      |
| 31              | 3              |                      |  | 1911-3273-01      | Bricka .....             | Washer .....                |             |                      |
| 39              | 1              |                      |  | 1911-3246-01      | Skruv .....              | Screw .....                 |             |                      |
| 41              | 1              |                      |  | 1911-3324-01      | Fjäderpinne.....         | Spring pin .....            |             |                      |
| 45              | 1              |                      |  | 1911-3022-01      | Mutter.....              | Nut .....                   |             |                      |
| 46              | 1              |                      |  | 1911-3387-01      | Kedjespännare .....      | Chain tensioner .....       |             |                      |
| 47              | 2              |                      |  | 1911-3281-01      | Pinnbult.....            | Stud .....                  |             |                      |
| 57              | 1              |                      |  | 1911-3438-01      | • Packning.....          | • Gasket .....              |             |                      |
| 58              | 2              |                      |  | 1911-3068-01      | • Låsring .....          | • Lock ring .....           |             |                      |
| 60              | 1              |                      |  | 1911-3436-01      | • Packning.....          | • Gasket .....              |             |                      |
| 62              | 1              |                      |  | 1911-3591-01      | Vevhus kpl.....          | Crankcase assy .....        |             |                      |
| 66              | 2              |                      |  | 1911-3043-01      | Tätningring .....        | Seal ring .....             |             |                      |
| 67              | 1              |                      |  | 1911-3508-01      | Ljuddämpare .....        | Muffler .....               |             |                      |
| 68              | 1              |                      |  | 1911-3340-01      | Drevbricka .....         | Sprocket washer .....       |             |                      |
| 69              | 1              |                      |  | 1911-3299-01      | Nållager .....           | Needle bearing .....        |             |                      |
| 70              | 1              |                      |  | 1911-3522-01      | Koppling kpl .....       | Clutch assy .....           |             |                      |
| 72              | 1              |                      |  | 1911-3611-01      | Packningssats .....      | Gasket set .....            |             | Inkl. 12, 14, 57, 60 |
| 73              | 1              |                      |  | 1911-3607-01      | Oljepump kpl .....       | Oil pump assy .....         |             | Inkl. pos 74, 76     |
| 74              | 1              |                      |  | 1911-3474-01      | • Bussning.....          | • Bushing.....              |             |                      |
| 76              | 3              |                      |  | 1911-3431-01      | • Tätningring .....      | • Seal .....                |             |                      |
| 83              | 1              |                      |  | 1911-3263-01      | Skruv .....              | Screw .....                 |             |                      |
| 84              | 2              |                      |  | 1911-3013-01      | Skruv .....              | Screw .....                 |             |                      |
| 113             | 1              |                      |  | 1911-3470-01      | Tändstiftshatt.....      | Spark plug cover .....      |             |                      |
| 114             | 1              |                      |  | 9400-0258-00      | Tändstift .....          | Spark plug .....            |             | Champion CJ7Y        |
| 115             | 1              |                      |  | 1911-3594-01      | Cylinder kpl.....        | Cylinder assy.....          |             | Inkl 58,134,136,138  |
| 116             | 5              |                      |  | 1911-3009-01      | Skruv .....              | Screw .....                 |             |                      |
| 117             | 1              |                      |  | 1911-3421-01      | Fjäder.....              | Spring .....                |             |                      |
| 128             | 1              |                      |  | 1911-3312-01      | Elektronikspole .....    | Electronic coil .....       |             |                      |
| 129             | 2              |                      |  | 1911-3271-01      | Bricka .....             | Washer .....                |             |                      |
| 130             | 1              |                      |  | 1911-3335-01      | Jordanslutning.....      | Ground terminal .....       |             |                      |
| 132             | 2              |                      |  | 1911-3272-01      | Bricka .....             | Washer .....                |             |                      |
| 134             | 1              |                      |  | 1911-3047-01      | • Kolvring .....         | • Piston ring .....         |             |                      |
| 136             | 1              |                      |  | 1911-3593-01      | • Kolv kpl.....          | • Piston assy.....          |             | Inkl. pos 58,134,138 |
| 138             | 1              |                      |  | 1911-3306-01      | • Kolvbult .....         | • Piston pin.....           |             |                      |
| 139             | 1              |                      |  | 1911-3300-01      | • Nållager .....         | • Needle bearing .....      |             |                      |
| 140             | 1              |                      |  | 1911-3502-01      | Gummislang .....         | Rubber tube .....           |             |                      |
| 141             | 1              |                      |  | 1911-3373-01      | Anslutning .....         | Connection .....            |             |                      |
| 142             | 2              |                      |  | 1911-3297-01      | Kullager .....           | Ball bearing .....          |             |                      |
| 143             | 1              |                      |  | 1911-3584-01      | Vevaxel kpl .....        | Crankshaft assy.....        |             | Inkl. pos 139        |
| 144             | 1              |                      |  | 1911-3048-01      | Svånghjulsfil .....      | Flywheel key .....          |             |                      |
| 145             | 2              |                      |  | 1911-3307-01      | Styrpinne .....          | Pin .....                   |             |                      |
| 148             | 3              |                      |  | 1911-3258-01      | Skruv .....              | Screw .....                 |             |                      |
| 149             | 1              |                      |  | 1911-3473-01      | Förgasarskydd .....      | Carb. protection .....      |             |                      |
| 151             | 1              |                      |  | 1911-3439-01      | Packning.....            | Gasket .....                |             |                      |









| Utgåva<br>Issue |                | Bildnr<br>Picture No |  | SPR 350<br>FÖRGASARE<br>WALBRO WT272 |                             | SPR 350<br>CARBURETTOR<br>WALBRO WT272 |             | Sida<br>Page        |                       |
|-----------------|----------------|----------------------|--|--------------------------------------|-----------------------------|--|-------------|---------------------|-----------------------|
| Pos.<br>Fig.    | Antal/Quantity |                      |  | Art nr<br>Part No                    | Benämning                   | Description                            | Sats<br>Kit | Anmärkning<br>Notes |                       |
|                 | 4117           |                      |  |                                      |                             |  |             |                     |                       |
| 185             | 1              |                      |  | 1911-3555-01                         | Förgasare kpl.....          | Carburettor assy .....                 |             |                     |                       |
| 215             | 1              |                      |  | 1911-3290-01                         | • Justerskruv- max .....    | • Mixture screw- high .....            |             |                     |                       |
| 216             | 1              |                      |  | 1911-3288-01                         | • Justerskruv- tomgång..... | • Mixture screw- idle.....             |             |                     |                       |
| 217             | 1              |                      |  | 1911-3404-01                         | • Fjäder.....               | • Spring .....                         |             |                     |                       |
| 218             | 1              |                      |  | 1911-3405-01                         | • Fjäder.....               | • Spring .....                         |             |                     |                       |
| 219             | 1              |                      |  | 1911-3375-01                         | • Nålventil.....            | • Inlet needle.....                    |             |                     |                       |
| 220             | 1              |                      |  | 1911-3337-01                         | • Ventilarm .....           | • Control lever.....                   |             |                     |                       |
| 221             | 1              |                      |  | 1911-3389-01                         | • Spjällarm .....           | • Throttle shaft.....                  |             |                     |                       |
| 223             | 1              |                      |  | 1911-3410-01                         | • Fjäder.....               | • Spring .....                         |             |                     |                       |
| 224             | 1              |                      |  | 1911-3495-01                         | • Nät.....                  | • Screen.....                          |             |                     |                       |
| 225             | 1              |                      |  | 1911-3291-01                         | • Tomgångsskruv .....       | • Idle speed screw .....               |             |                     |                       |
| 226             | 1              |                      |  | 1911-3424-01                         | • Lock.....                 | • Cover.....                           |             |                     |                       |
| 227             | 4              |                      |  | 1911-3285-01                         | • Skruv.....                | • Screw.....                           |             |                     |                       |
| 230             | 1              |                      |  | 1911-3346-01                         | • Nippel.....               | • Fitting.....                         |             |                     |                       |
| 231             | 4              |                      |  | 1911-3284-01                         | • Skruv.....                | • Screw.....                           |             |                     |                       |
| 232             | 1              |                      |  | 1911-3333-01                         | • Lock.....                 | • Cover.....                           |             |                     |                       |
| 235             | 1              |                      |  | 1911-3403-01                         | • Fjäder.....               | • Spring.....                          |             |                     |                       |
| 236             | 1              |                      |  | 1911-3343-01                         | • Plugg.....                | • Welch plug.....                      |             |                     |                       |
| 237             | 1              |                      |  | 1911-3384-01                         | • Sprint.....               | • Pin.....                             |             |                     |                       |
| 238             | 1              |                      |  | 1911-3286-01                         | • Skruv.....                | • Screw.....                           |             |                     |                       |
| 239             | 1              |                      |  | 1911-3283-01                         | • Skruv.....                | • Screw.....                           |             |                     |                       |
| 240             | 1              |                      |  | 1911-3345-01                         | • Gasspjäll.....            | • Throttle shutter.....                |             |                     |                       |
| 241             | 1              |                      |  | 1911-3329-01                         | • Hållare.....              | • Retainer.....                        |             |                     |                       |
| 242             | 1              |                      |  | 1911-3612-01                         | • Membran- packningsats...  | • Diaphragm- gasket set .....          |             |                     | Inkl. 228,229,233,234 |
| 250             | 1              |                      |  | 1911-3391-01                         | • Plugg.....                | • Plug.....                            |             |                     |                       |
| 251             | 1              |                      |  | 1911-3332-01                         | • Hållare.....              | • Retainer.....                        |             |                     |                       |
| 252             | 1              |                      |  | 1911-3494-01                         | • Filter.....               | • Filter.....                          |             |                     |                       |
| 253             | 1              |                      |  | 1911-3390-01                         | • Ventil.....               | • Valve.....                           |             |                     |                       |