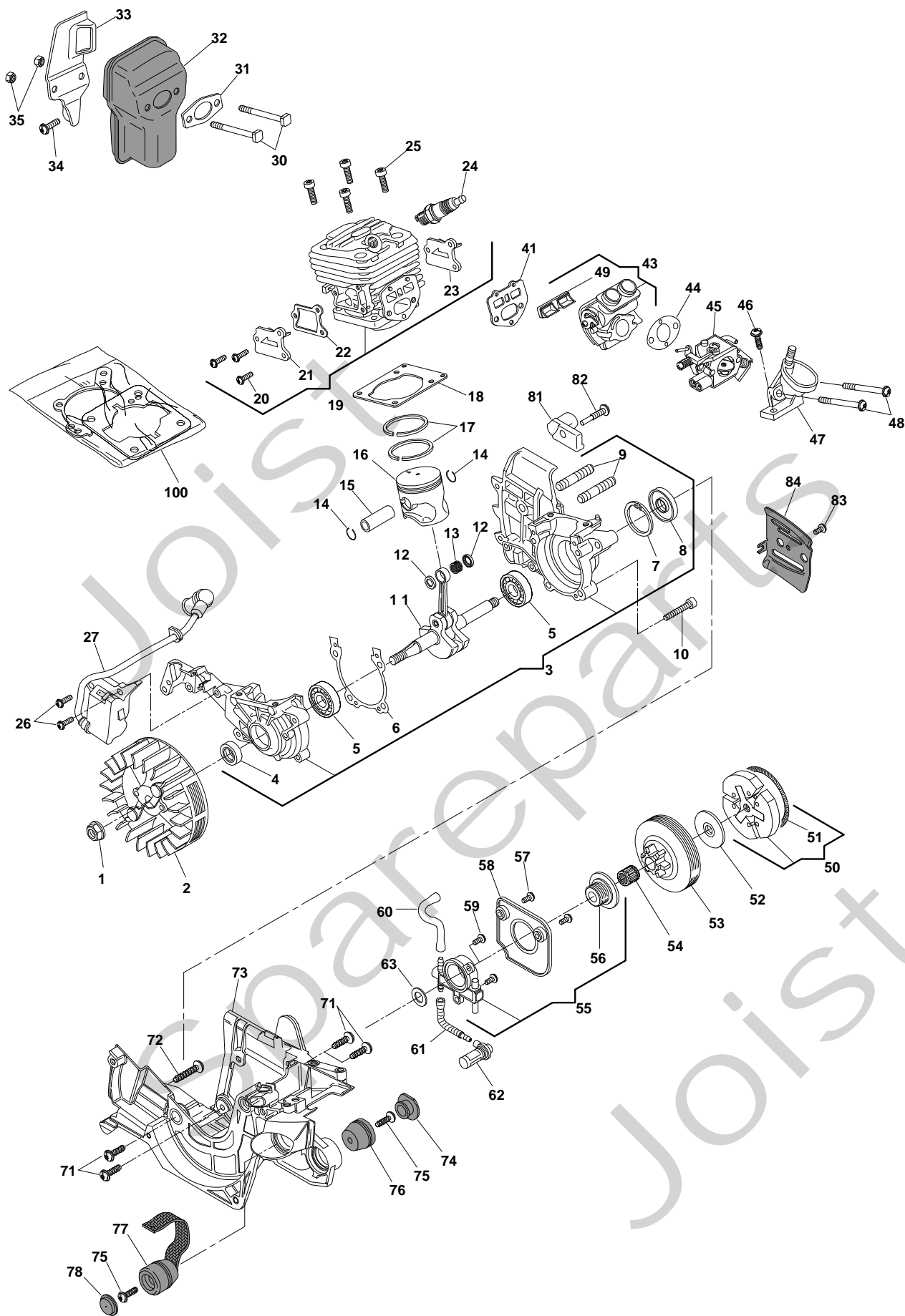


Genuine Spare Parts

SP 402

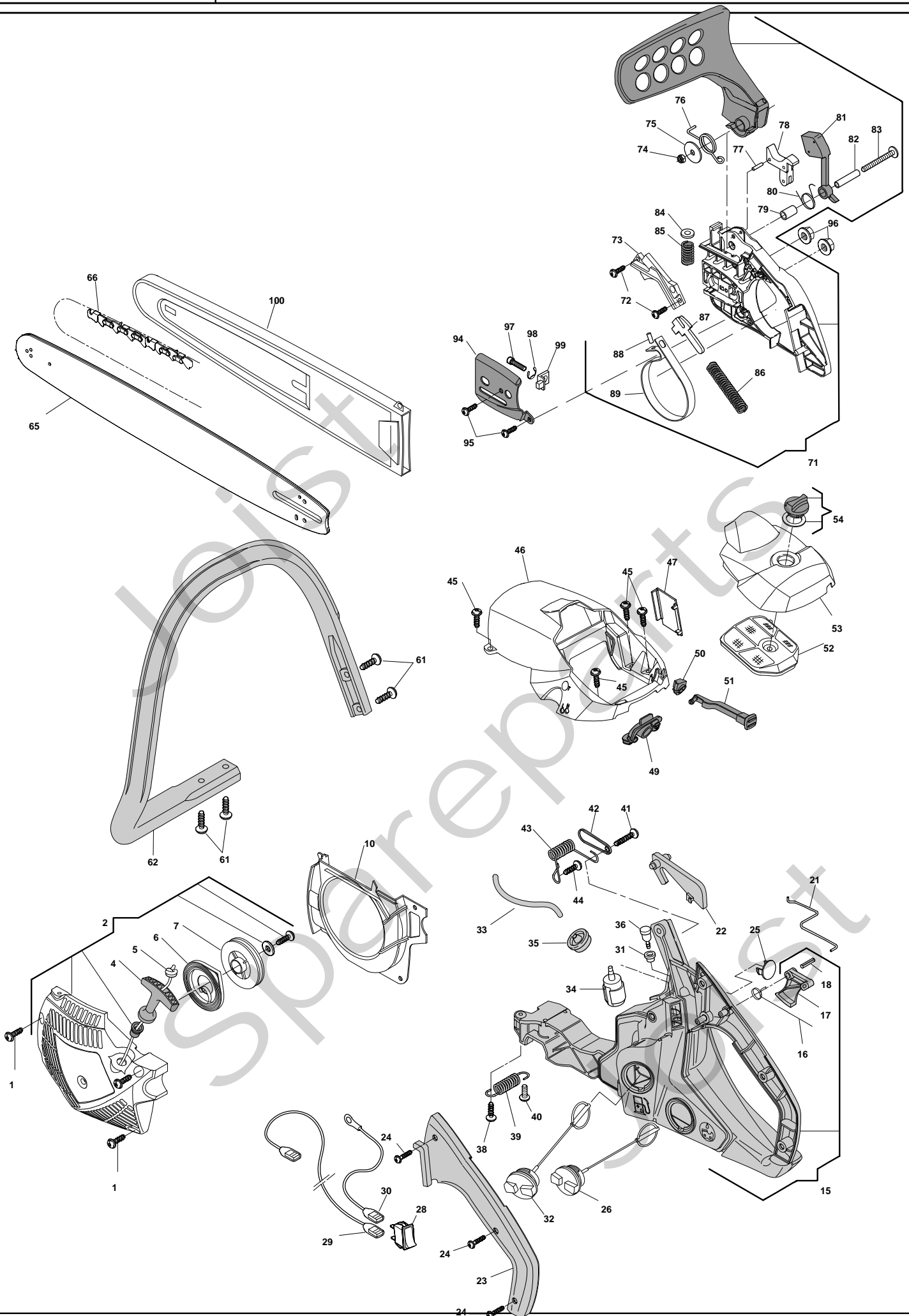






SP 402 - Model Year 2008

| Pos. Fig. | Antal Quantity | Art No Part No | Benämning | Description | Anmärkning Notes |
|-----------|----------------|----------------|-------------------|--------------------|------------------|
| 1 | 1 | 123120004/0 | Mutter | Nut | |
| 2 | 1 | 383880002/0 | Svånghjul | Flywheel Assy | |
| 3 | 1 | 6995281 | Vevhus | Crankcase Ass.Y | |
| 4 | 1 | 6995278 | Tätningring | Seal Ring | |
| 5 | 2 | 6995277 | Kullager | Bearing | |
| 6 | 1 | 6995283 | Packning | Gasket Set | KIT POS. 100 |
| 7 | 1 | 6995255 | Låsring | Elastic Ring | |
| 8 | 1 | 6995257 | Tätningring | Seal Ring | |
| 9 | 2 | 6995028 | Styrpinne | Pin | |
| 10 | 4 | 6995276 | Skruv | Screw | |
| 11 | 1 | 6995314 | Vevaxel | Crankshaft | |
| 12 | 2 | 6995265 | Bricka | Washer | |
| 13 | 1 | 6995304 | Lager | Bearing | |
| 14 | 2 | 6995256 | Låsring | Washer, Piston Pin | |
| 15 | 1 | 6995313 | Kolvbult | Piston Pin | |
| 16 | 1 | 6995287 | Kolv | Piston | |
| 17 | 2 | 6995258 | Kolvring | Piston Ring | |
| 18 | 1 | 6995283 | Packning | Gasket Set | KIT POS. 100 |
| 19 | 1 | 6995284 | Cylinder | Cylinder Assy | |
| 20 | 6 | 123878020/0 | Skruv | Screw | |
| 21 | 1 | 6995320 | Lock | Cover | |
| 22 | 2 | 6995322 | Packning | Gasket | |
| 23 | 1 | 6995321 | Lock | Cover | |
| 24 | 1 | 23051000/0 | Tändstift | Spark Plug | |
| 25 | 4 | 6995319 | Skruv | Screw | |
| 26 | 2 | 123878021/0 | Skruv | Screw | |
| 27 | 1 | 383044000/0 | Elektronikspole | Electronic Coil | |
| 30 | 2 | 123878028/0 | Skruv | Screw | |
| 31 | 1 | 123280012/0 | Packning | Gasket | |
| 32 | 1 | 183740000/0 | Ljuddämpare | Muffler Assy | |
| 33 | 1 | 323140055/0 | Deflektor | Deflector | |
| 34 | 1 | 123878022/0 | Skruv | Screw | |
| 35 | 2 | 2432040 | Mutter | Nut | |
| 41 | 1 | 123280015/0 | Packning | Gasket | |
| 43 | 1 | 383073500/0 | Insugningsrör | Intake Manifold | |
| 44 | 1 | 123280011/0 | Packning | Gasket | |
| 45 | 1 | 123054015/0 | Förgasare | Carburettor | |
| 45 | 1 | 123054016/0 | Förgasare | Carburettor | |
| 46 | 1 | 123878024/0 | Skruv | Screw | |
| 47 | 1 | 323073503/0 | Luftintag | Air Manifold | |
| 48 | 2 | 123878019/0 | Skruv | Screw | |
| 49 | 1 | 323275015/0 | Packning | Gasket | |
| 50 | 1 | 383215001/0 | Koppling kpl | Clutch Ass.Y | |
| 51 | 1 | 123430566/0 | Fjäder | Spring | |
| 52 | 1 | 323657006/0 | Bricka | Sprocket Washer | |
| 53 | 1 | 323050003/0 | Kopplingshjul | Drum Ass'Y, Clutch | |
| 54 | 1 | 123235000/0 | Nållager | Needle Bearing | |
| 55 | 1 | 383594502/0 | Oljepump | Oil Pump Assy | |
| 55 | 1 | 383594503/0 | Oljepump | Oil Pump Assy | |
| 56 | 1 | 323878026/0 | Skruv | Female Screw | |
| 57 | 4 | 123878021/0 | Skruv | Screw | |
| 58 | 1 | 323109524/0 | Lock | Cover Pump | |
| 60 | 1 | 323867005/0 | Rör | Tube | |
| 61 | 1 | 323867004/0 | Oljeslang | Pickup Oil | |
| 62 | 1 | 323220002/0 | Oljefilter | Oil Filter Ass.Y | |
| 63 | 1 | 323652503/0 | Bricka | Washer | |
| 71 | 4 | 123878022/0 | Skruv | Screw | |
| 72 | 1 | 123878024/0 | Skruv | Screw | |
| 73 | 1 | 323057003/0 | Vevhus | Crankcase Ass.Y | |
| 74 | 1 | 323790010/0 | Lock | Cap | |
| 75 | 2 | 123878024/0 | Skruv | Screw | |
| 76 | 1 | 323275008/0 | Vibrationsdämpare | Shock Absorber | |
| 77 | 1 | 323275009/0 | Vibrationsdämpare | Shock Absorber | |
| 78 | 1 | 323790011/0 | Lock | Cap | |
| 81 | 1 | 323202000/0 | Kedjeskydd | Chain Guard | |
| 82 | 1 | 123878018/0 | Skruv | Screw | |
| 83 | 1 | 123878020/0 | Skruv | Screw | |
| 84 | 1 | 323311005/0 | Platta | Plate | |
| 100 | 1 | 6995283 | Packning | Gasket Set | |





SP 402 - Model Year 2008

| Pos. Fig. | Antal Quantity | Art No Part No | Benämning | Description | Anmärkning Notes |
|-----------|----------------|----------------|----------------------|------------------------------|-------------------------------|
| 1 | 3 | 123878024/0 | Skruv | Screw | |
| 2 | 1 | 383058018/0 | Start kpl-gul | Starter Assy Yellow | |
| 3 | 1 | 323044211/0 | Hylsa | Grommet | |
| 4 | 1 | 323300004/0 | Starthandtag | Starter Handle | |
| 5 | 1 | 123234002/0 | Startsnöre | Starter Cord | |
| 6 | 1 | 123430577/0 | Startfjäder | Starter Spring | |
| 7 | 1 | 323604003/0 | Linhjul | Starter Pulley | |
| 8 | 1 | 3613420 | Bricka | Washer | |
| 9 | 1 | 123878024/0 | Skruv | Screw | |
| 10 | 1 | 323107503/0 | Luftledare | Air Conveyer | |
| 15 | 1 | 383300015/0 | Handtag kpl | Handle Assy | |
| 16 | 1 | 123430567/0 | Fjäder | Spring | |
| 17 | 1 | 323315063/0 | Gasreglage | Throttle Lever | |
| 21 | 1 | 123835001/0 | Gasreglagelänk | Throttle Rod | |
| 22 | 1 | 323315064/0 | Säkerhetsspärr | Safety Lever | |
| 23 | 1 | 323109520/0 | Styre-överdel | Handle, Upper Part | |
| 24 | 1 | 123878025/0 | Skruv | Screw | |
| 25 | 1 | 323790009/0 | Lock | Cap | |
| 26 | 1 | 383790003/0 | Tanklock | Cap Oil Tank | |
| 28 | 1 | 3210970 | Brytare | Stop Switch | |
| 29 | 1 | 123065018/0 | Stoppkabel | Stop Wire | |
| 30 | 1 | 123065017/0 | Jordkabel | Earth Cable | |
| 31 | 1 | 323275013/0 | Hylsa | Grommet | |
| 32 | 1 | 383790002/0 | Tanklock | Fuel Tank-Cap Ass.Y | |
| 33 | 1 | 323867003/0 | Bränsleslang | Fuel Line | |
| 34 | 1 | 183520000/0 | Bränslefilter | Intake Filter Assy | |
| 35 | 1 | 323275011/0 | Hylsa | Grommet | |
| 36 | 1 | 183875001/0 | Ventil | Breather Valve Ass.Y | |
| 38 | 1 | 123878024/0 | Skruv | Screw | |
| 39 | 1 | 123430568/0 | Fjäder | Spring | |
| 40 | 1 | 123878022/0 | Skruv | Screw | |
| 41 | 1 | 123878024/0 | Skruv | Screw | |
| 42 | 1 | 323208402/0 | Platta | Plate | |
| 43 | 1 | 123430569/0 | Fjäder | Spring | |
| 45 | 4 | 123878024/0 | Skruv | Screw | |
| 46 | 1 | 323087005/1 | Cylinderkåpa | Cylinder Cover Yellow | |
| 47 | 1 | 323653500/0 | Lock | Cap | |
| 49 | 1 | 323796006/0 | Hylsa | Grommet | |
| 50 | 1 | 323796007/0 | Hylsa | Grommet | |
| 51 | 1 | 323315065/0 | Chokearm | Choke Lever | |
| 52 | 1 | 383220000/0 | Luftfilter | Air Filter | |
| 53 | 1 | 323090019/0 | Luftfilterkåpa-gul | Filter Cover Yellow | |
| 54 | 1 | 383593501/0 | Låsratt | Knob Ass'Y | |
| 61 | 4 | 123878025/0 | Skruv | Screw | |
| 62 | 1 | 323105001/0 | Handtag | Handle | |
| 65 | 1 | 123900115/0 | Svärd | Guide Bar 16" | 13" 325" .050" (1.3 mm) |
| 66 | 1 | 123920106/0 | Kedja | "Chain 16"" | 13" 325" .050" (1.3 mm) - 56E |
| 71 | 1 | 383059013/0 | Kopplingshus kpl-gul | Clutch Ho. W/Br. Assy Yellow | |
| 72 | 2 | 123878023/0 | Skruv | Screw | |
| 73 | 1 | 323109525/0 | Bromskåpa | Brake Cover | |
| 74 | 1 | 112154320/0 | Mutter | Nut | |
| 75 | 1 | 123657007/0 | Bricka | Washer | |
| 76 | 1 | 123430573/0 | Fjäder | Spring | |
| 77 | 1 | 123753001/0 | Stift | Roller | |
| 78 | 1 | 383315051/0 | Bromsarm | Chain Brake Lever | |
| 79 | 1 | 123044213/0 | Bussning | Bushing | |
| 80 | 1 | 123430572/0 | Fjäder | Spring | |
| 81 | 1 | 323080001/0 | Balansvikt | Balance Weigth | |
| 82 | 1 | 123044213/0 | Bussning | Bushing | |
| 83 | 1 | 123878017/0 | Skruv | Screw | |
| 84 | 1 | 323670001/0 | Bricka | Plate | |
| 85 | 1 | 123430573/0 | Fjäder | Spring | |
| 86 | 1 | 123430565/0 | Fjäder | Spring | |
| 87 | 1 | 323315067/0 | Arm | Lever | |
| 88 | 1 | 123753000/0 | Stift | Needle | |
| 89 | 1 | 323448003/0 | Bromsband | Brake Band | |
| 94 | 1 | 323311006/0 | Platta | Plate | |
| 95 | 2 | 123878023/0 | Skruv | Screw | |
| 96 | 2 | 2670270 | Mutter | Nut | |
| 97 | 1 | 123878029/0 | Skruv | Screw | |
| 98 | 1 | 112000910/0 | Låsring | Elastic Ring | |
| 99 | 1 | 3614310 | Kedjesträckare | Bar Adjusting Block | |
| 100 | 1 | 4181297 | Kedjeskydd | Chain Cover | |