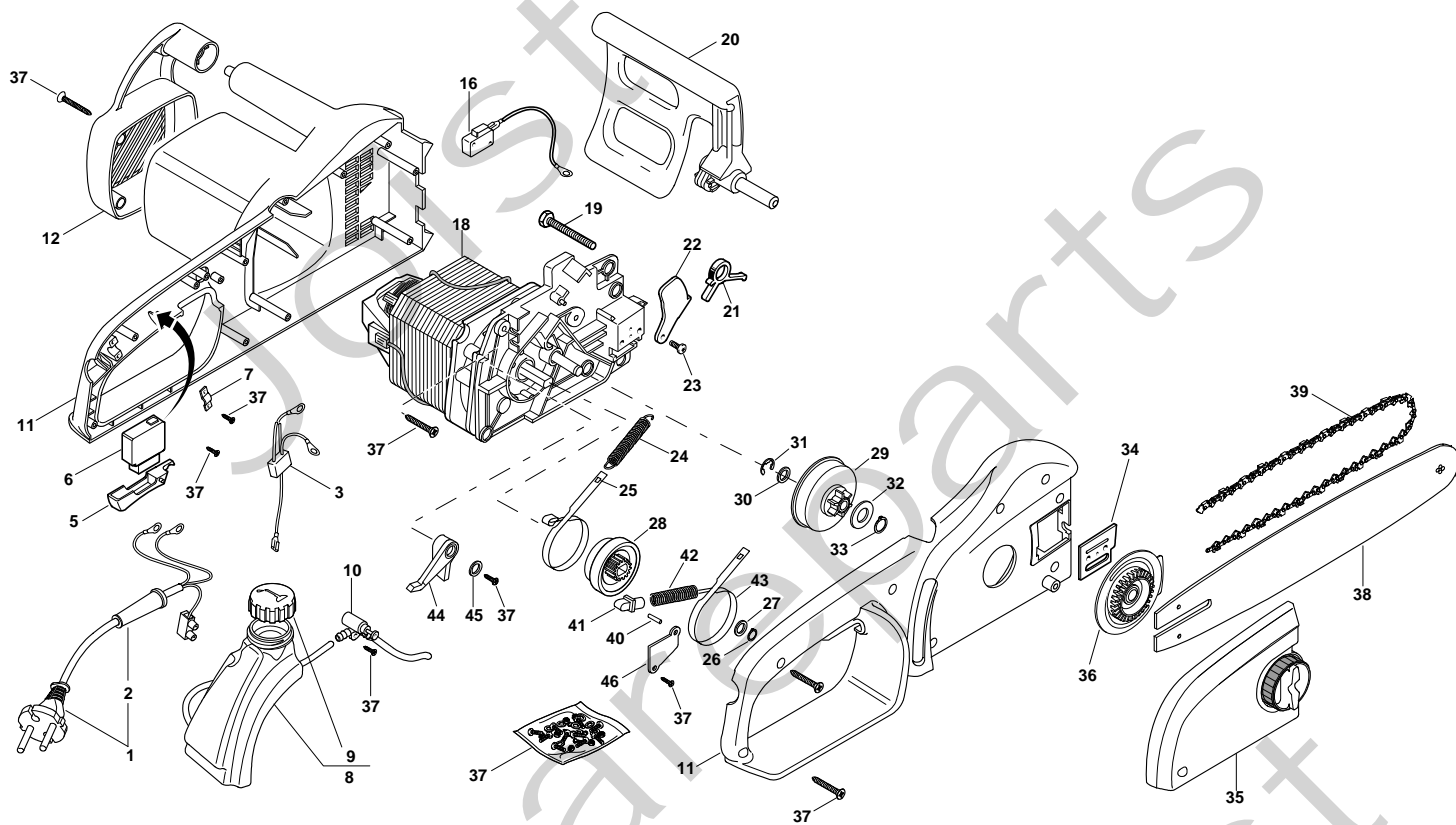


Genuine Spare Parts



SE 170 Q





SE 170 Q

Pos. Fig.	Antal Quantity	Art No Part No	Benämning	Description	Anmärkning Notes
1	1	6980500	Anslutningssladd	Power Cord Assy	
2	1	6980501	Hylsa	Cord Protector	
3	1	6980539	Kondensator	Condenser	
5	1	6980502	Brytararm	Switch Lever	
6	1	6980503	Brytare	Switch	
7	1	6980504	Fästbygel	Bracket	
8	1	6980505	Oljetank	Oil Tank	
9	1	6980506	Tanklock	Tank Cap	
10	1	6980507	Oljepump	Oil Pump	
11	1	6980508	Handtag kpl-gul	Handle Assy Yellow	
12	1	6980510	Ändklpa-grí	End Cover Grey	
16	1	6980514	Brytare	Switch	
18	1	6980516	Elmotor	Motor	
19	1	6980517	Skruv	Screw	
20	1	6980518	Handskydd	Hand Guard Assy	
21	1	6980519	Arm	Lever	
22	1	6980520	Kedjebromsarm	Chain Brake Lever	
23	1	6980521	Skruv	Screw	
24	1	6980522	Fjäder	Spring	
25	1	6980523	Bromsband	Brake Band	
26	1	6980524	Lísring	Snap Ring	
27	1	6980525	Bricka	Washer	
28	1	6980526	Bromshjul	Brake Blade	
29	1	6980527	Drev	Gear Assy	
30	1	6980528	Bricka	Washer	
31	1	6980529	Lísring	Snap Ring	
32	1	6980530	Bricka	Washer	
33	1	6980511	Lísring	Snap Ring	
34	1	6980531	Kedjesträckare	Bar Plate	
35	1	183109503/0	Svärdklpa-grí	Bar Holder Assy Yellow	
36	2	183810001/0	Kedjesträckare	Chain Tensioner	
37	1	6980534	Skrusats	Screws Outfit	
38	1	6980536	Svärd	Guide Bar 14"	
39	1	4113701	Kedja	Chain 14"	
40	1	6980540	Stift	Pin	
41	1	6980541	Arm-bromsband	Drive Brake Band	
42	1	6980542	Fjäder	Spring	
43	1	6980543	Bromsband	Brake Band	
44	1	6980544	Arm	Gearshift	
45	1	6980545	Bricka	Washer	
46	1	6980546	Platta	Plate	