

Genuine Spare Parts

www.stiga.com

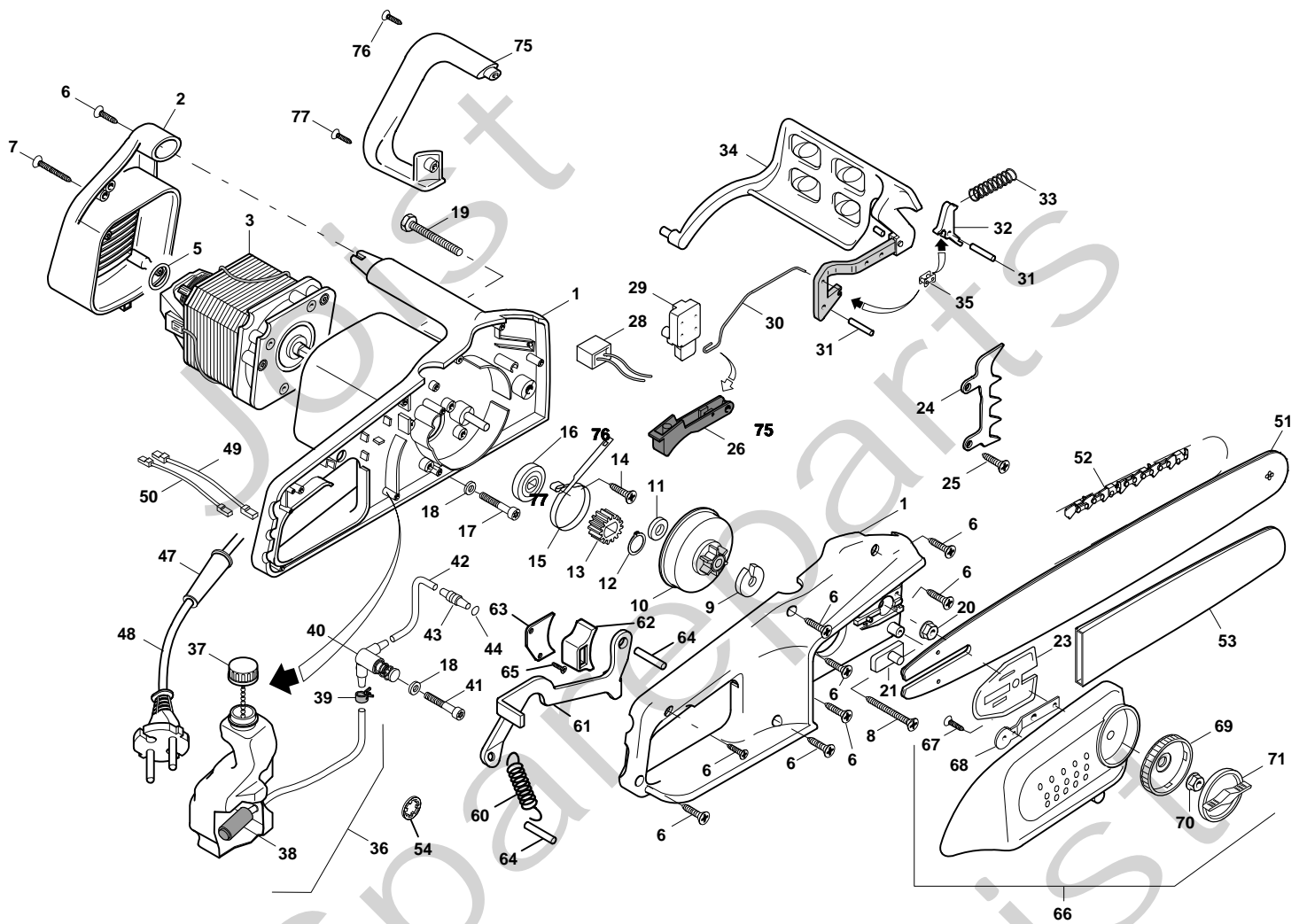
SE 200 Q Model Year 2011

- Use GLOBAL GARDEN PRODUCT Genuine Spare Parts specified in the parts list for repair and/or replacement.
- The contents described in the parts list may change due to improvement.
- The drawings of the spare parts are only indicative and might not represent the part in question exactly.
- The indications "right" - "left" - "front" - "rear" refer to the position of the operator when using the machine.
- When placing orders of parts for repair and/or replacement, make sure that the illustrated parts list is the one applying to the machine's year of manufacture, as shown on the identification plate attached to the machine.

COPYRIGHT by GLOBAL GARDEN PRODUCTS

All rights reserved. No part of this material may be reproduced or transmitted, in any form or by any means, electronic or mechanical, including photocopying, recording or by any information storage and retrieval system, without permission in writing from GLOBAL GARDEN PRODUCTS.







SE 200 Q - Model Year 2011

Pos. Fig.	Antal Quantity	Art No Part No	Benämning	Description	Anmärkning Notes
1	1	383300011/0	Handtag kpl-gul	Handle Assy, Yellow	
2	1	4563610	Ändkåpa-grå	End Cover Grey	
3	1	8251900	Motor Kpl	Motor Assy	
5	1	8721480	Tätningring	Or Ring Kit	
6	9	2123210	Skruv	Screw	
7	2	2123220	Skruv	Screw	
8	1	2123230	Skruv	Screw	
9	1	3614300	Drevstopp	Side Plate	
10	1	8562940	Drev	Gear Assy	
11	1	3611961	Bricka	Washer	
12	1	3353020	Låsring	Snap Ring	
13	1	3660580	Drev	Sprocket	
14	1	2123250	Skruv	Screw	
15	1	3614690	Bromsband	Brake Band	
16	1	3660570/1	Bromshjul	Brake Blade	
17	4	2135040	Skruv	Screw	
18	5	2312090	Bricka	Washer	
19	1	2112490	Skruv	Screw	
20	1	2670120	Mutter	Nut	
21	1	23796003/0	Kedjespännarblock	Chain Tightener Block	
23	1	3614280/1	Svärdplåt	Bar Plate	
24	1	4612500	Spikjäm	Spike	
25	2	2123100	Skruv	Screw	
26	1	3743497/1	Brytararm	Switch Lever	
28	1	3211210	Kondensator	Condenser	
29	1	3211200	Brytare	Switch	
30	1	23835000/0	Brytarstång	Switch Rod	
31	1	3180390	Stift	Pin	
32	1	3614260	Arm	Lever	
33	1	3653720	Fjäder	Spring	
34	1	8563510	Handskydd	Protector	
35	1	4252020	Kedjebromslänk	Chain Brake Link Assy	
36	1	4252000/1	O jetank	Oil Tank	
37	1	4252010	Oljevol	Tank Cap	
38	1	8642570	O jefilter m.slang	Filter Intank Assy With Pipe	
39	1	3320170	Slangklämma	Clamp	
40	1	8750100	O jepump	Oil Pump	
41	1	2123030	Skruv	Screw	
42	1	3786010	O jeslang	Oil Tube	
43	1	3750010	Munstycke	Nozzle	
44	1	3721030	Tätningring	Gasket	
47	1	3744767	Kabelskydd	Feed Fairlead	
48	1	3211250	Anslutningskabel	Power Cord Assy	
48	1	3211340	Anslutningskabel	Power Cord Assy	
48	1	3211440	Anslutningskabel	Power Cord Assy	
48	1	3211540	Anslutningskabel	Power Cord Assy	
48	1	3211640/1	Anslutningskabel	Power Cord Assy	
49	1	3211231	Jordkabel	Engine Wire	
50	1	3211221	Jordkabel	Engine Wire	
51	1	23900110/0	Svärd	"Guide Bar 14""	
51	1	23900111/0	Svärd	"Guide Bar 16""	
52	1	4113702	Kedja	Chain 14"	
52	1	4113705	Kedja	Chain 16"	
53	1	4181297	Kedjeskydd	Chain Cover	
53	1	4181307	Kedjeskydd	Chain Cover	
54	2	12604897/0	Låsring	Washer	
60	1	23430556/0	Fjäder	Spring	
61	1	23315057/0	Arm	Lever	
62	1	23487000/0	Länblock	Link Block	



SE 200 Q - Model Year 2011

Pos. Fig.	Antal Quantity	Art No Part No	Benämning	Description	Anmärkning Notes
63	1	23311000/0	Platta	Plate	
64	2	3180390	Stift	Pin	
65	1	2123090	Skruv	Screw	
66	1	83109500/0	Svärdkäpa	Bar Holder Assy	
67	1	2123060	Skruv	Screw	
68	1	3614290	Svärdplåt	Bar Plate	
69	1	23250000/0	Ringmutter	Ring Nut	
70	1	2670270	Mutter	Nut	
71	1	23593501/0	Knopp	Knob	
75	1	4563810	Handtag	Handle	
76	1	2123230	Skruv	Screw	
77	1	2126020	Skruv	Screw	