

Genuine Spare Parts

www.stiga.com

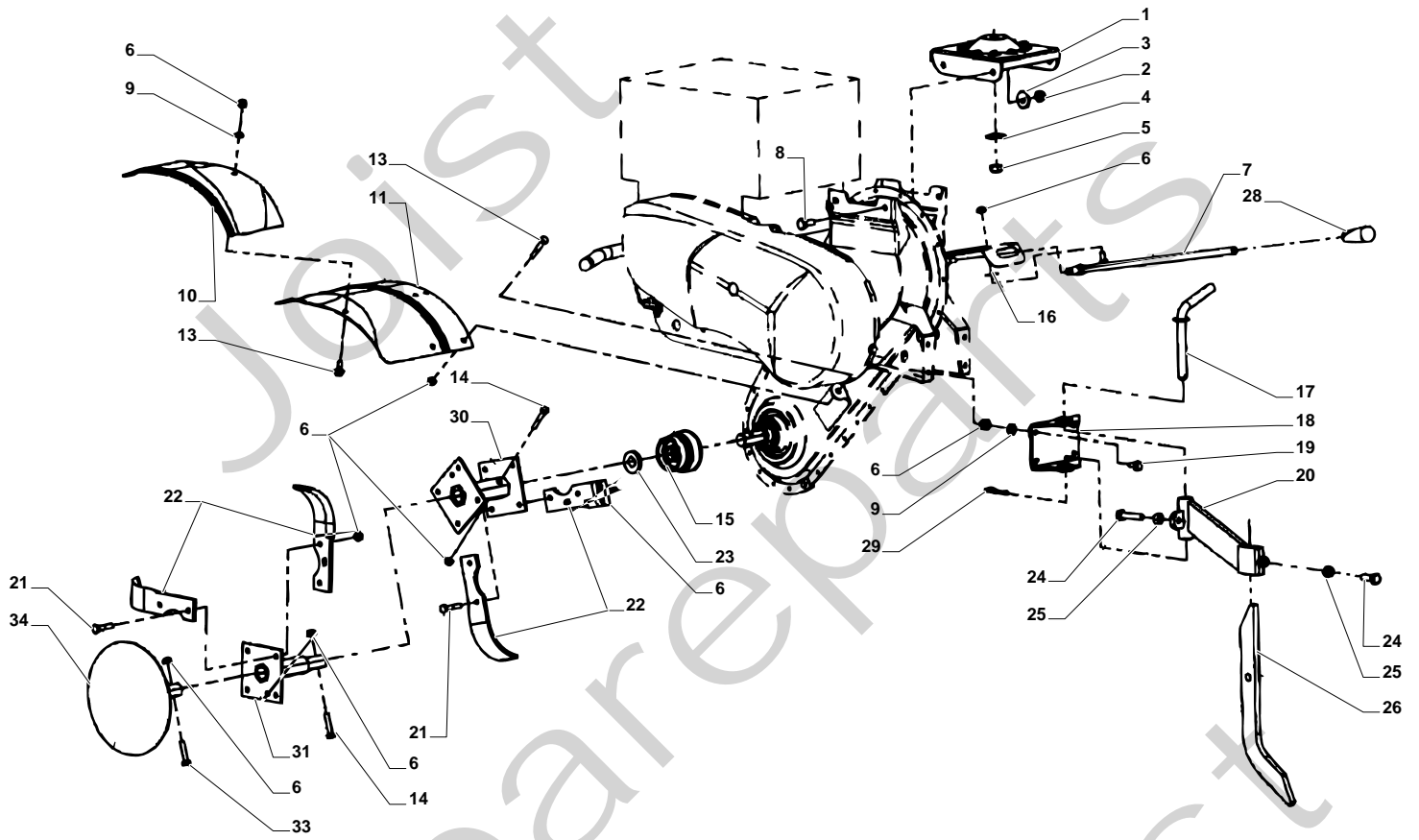
SILEX 82 RHX Model Year 2010

- Use GLOBAL GARDEN PRODUCT Genuine Spare Parts specified in the parts list for repair and/or replacement.
- The contents described in the parts list may change due to improvement.
- The drawings of the spare parts are only indicative and might not represent the part in question exactly.
- The indications "right" - "left" - "front" - "rear" refer to the position of the operator when using the machine.
- When placing orders of parts for repair and/or replacement, make sure that the illustrated parts list is the one applying to the machine's year of manufacture, as shown on the identification plate attached to the machine.

COPYRIGHT by GLOBAL GARDEN PRODUCTS

All rights reserved. No part of this material may be reproduced or transmitted, in any form or by any means, electronic or mechanical, including photocopying, recording or by any information storage and retrieval system, without permission in writing from GLOBAL GARDEN PRODUCTS.

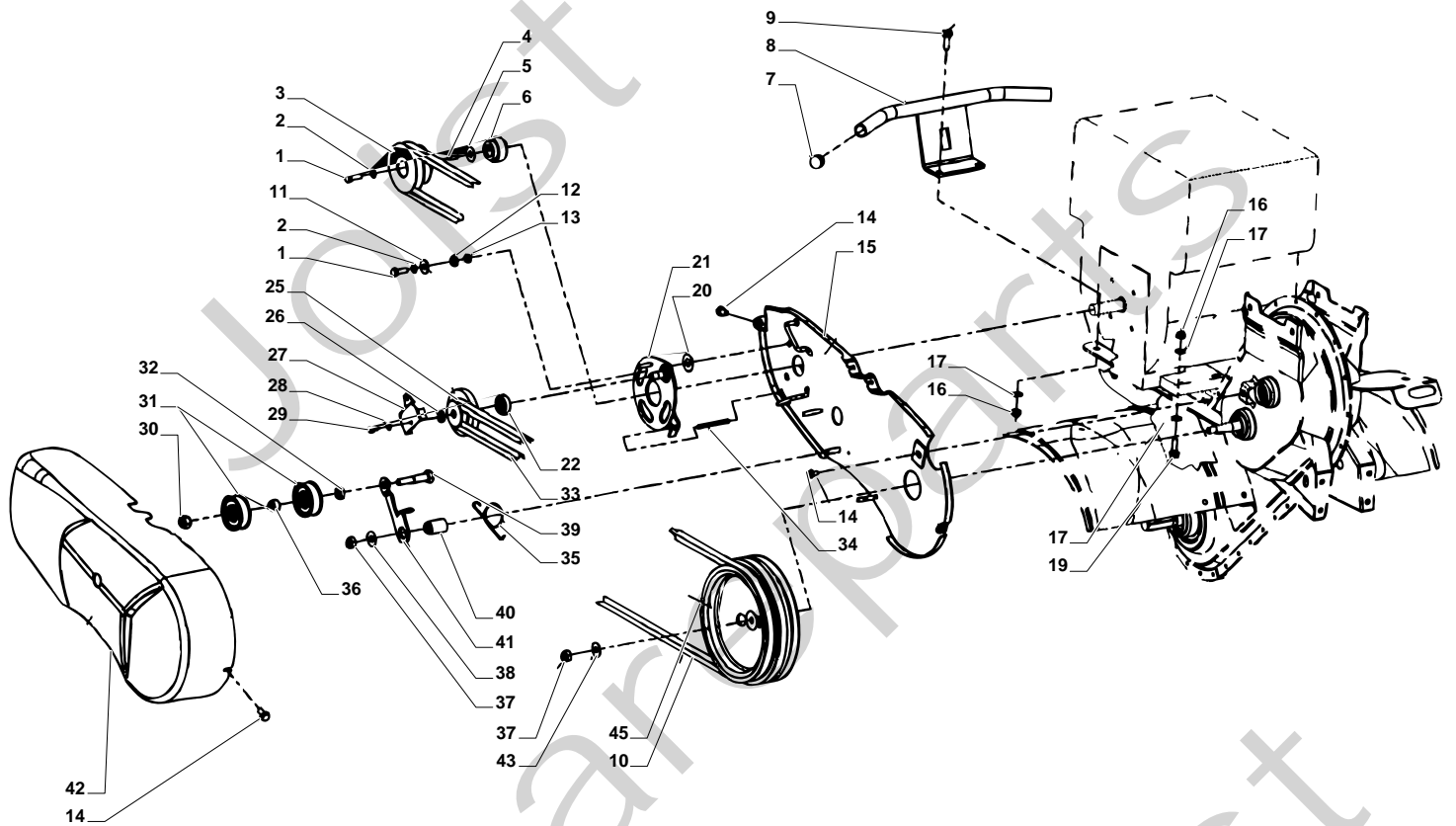






SILEX 82 RHX - Model Year 2010

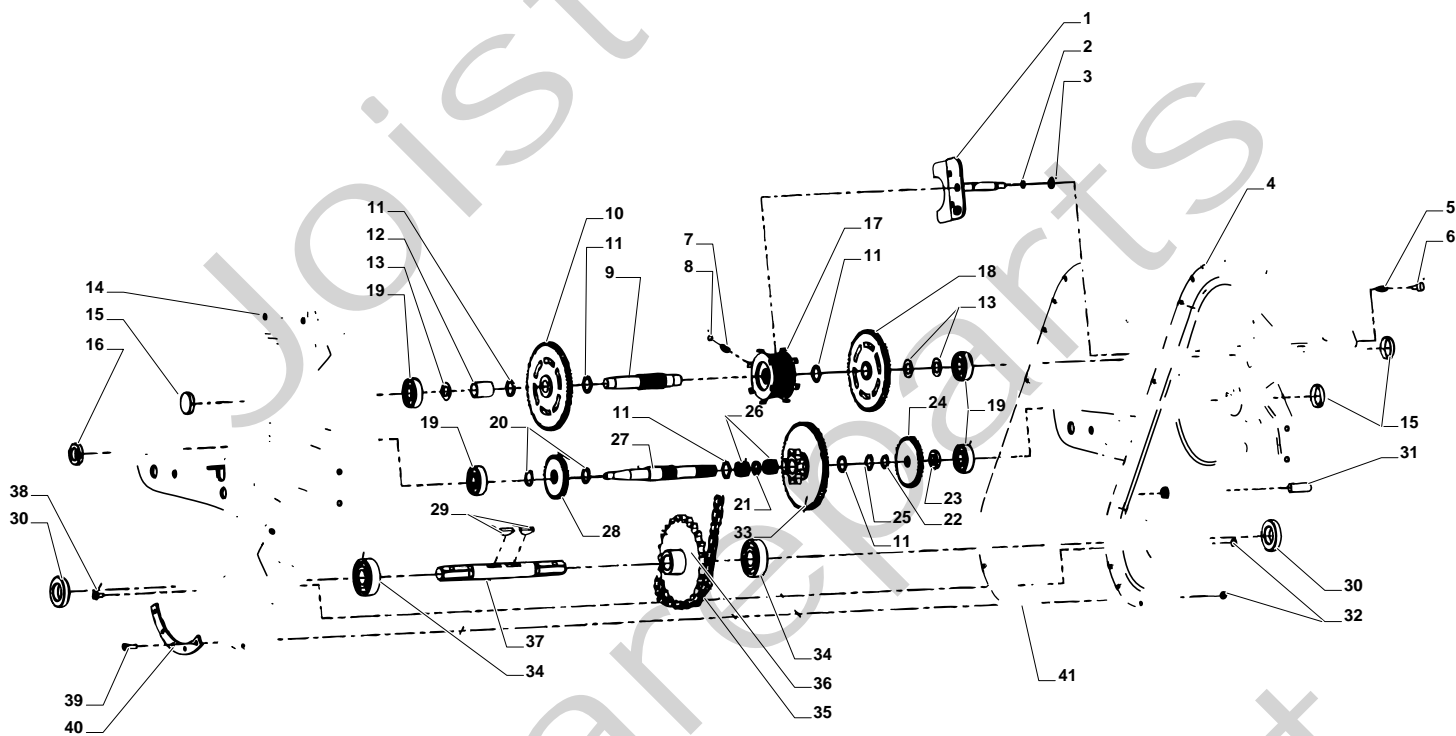
Pos. Fig.	Antal Quantity	Art No Part No	Benämning	Description	Anmärkning Notes
1	1	1483-2242-01	Styrfäste-nedre, gul	Support Yellow	
2	4	9747-1031-02	Mutter	Nut	
3	4	9699-0105-02	Bricka	Washer	
4	1	9699-0121-02	Planbricka	Washer	
5	1	9747-1231-02	Mutter	Nut	
6	45	9747-0831-02	Mutter	Nut	
7	1	1483-2238-01	Växelspak	Rod	
8	4	9997-1025-16	Skruv	Screw	
9	4	9699-0028-02	Planbricka	Washer	
10	1	1483-2171-01	Skyddsplåt-hö, gul	Plate, Right Yellow	
10	1	1483-2172-01	Skyddsplåt-vä, gul	Plate, Left Yellow	
11	1	1483-2255-01	Skyddsplåt-hö, gul	Plate, Right Yellow	
11	1	1483-2256-01	Skyddsplåt-vä, gul	Plate, Left Yellow	
13	10	9959-0816-16	Skruv	Screw	
14	4	9997-0845-12	Skruv	Screw	
15	2	1483-2241-01	Dammskydd	Dust Cover	
16	2	9699-0122-02	Bricka	Washer	
17	1	1483-2202-01	Skruv	Pin	
18	1	1483-2249-01	Fäste-gul	Bracket Yellow	
19	4	9959-0820-16	Skruv	Screw	
20	1	1483-2250-01	Fäste-gul	Support Yellow	
21	24	9997-0825-16	Skruv	Screw	
22	12	1483-2259-01	Kniv-hö	Right Tine	
22	12	1483-2260-01	Kniv-vä	Left Tine	
23	2	1483-2261-01	Dammskydd	Dust Cover	
24	3	9997-1030-16	Skruv	Screw	
25	3	9799-1031-02	Mutter	Nut	
26	1	1483-2251-01	Bromssporre-gul	Lever Yellow	
28	1	1483-2279-01	Knopp	Handgrip	
29	1	9598-0002-02	Låsnål	Cotter Pin	
30	2	1483-2258-01	Knivnav-centrum	Clamp	
31	2	1483-2205-01	Knivnav-yttre	Clamp	
33	2	9997-0840-16	Skruv	Screw L = 40 Mm	
34	2	1483-2257-01	Sidotallrik	Disc	





SILEX 82 RHX - Model Year 2010

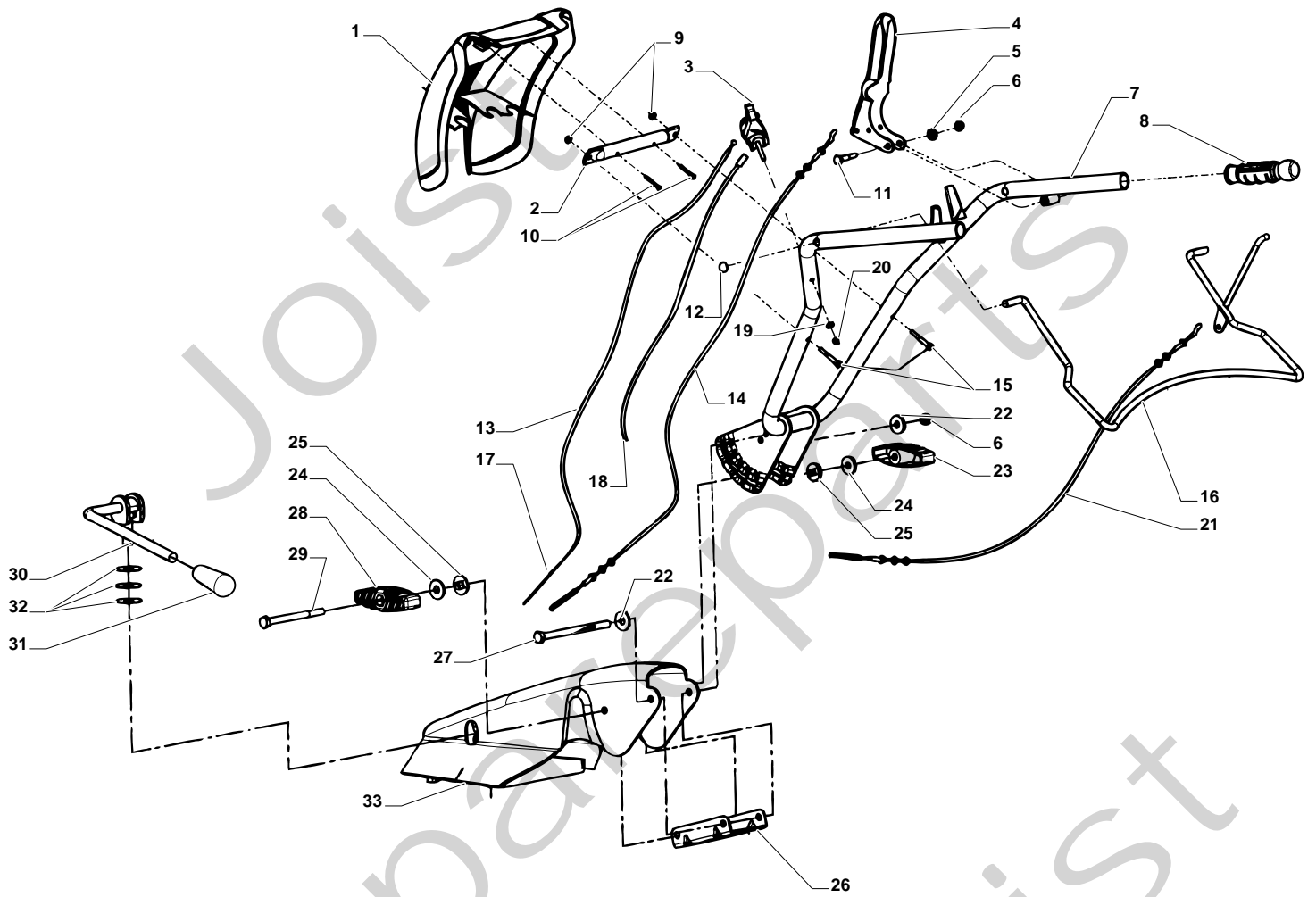
Pos. Fig.	Antal Quantity	Art No Part No	Benämning	Description	Anmärkning Notes
1	4	1483-2283-01	Skruv	Screw	
2	4	9699-0028-02	Planbricka	Washer	
3	1	1483-2270-01	Remskiva	Pulley	
4	1	1483-2219-01	Kil	Key	
5	1	1483-2117-01	Distans	Spacer	
6	1	1483-2266-01	Backdrev	Ring Gear	
7	2	1483-2209-01	Lock	Cap	
8	1	1483-2218-01	Stötfångare	Protection	
9	2	9959-0820-16	Skruv	Screw	
10	1	1483-2264-01	Drivrem	Belt	
11	3	9699-0122-02	Bricka	Washer	
12	3	1483-2269-01	Distans	Spacer	
13	3	1483-2216-01	Bricka	Washer	
14	3	9959-0816-16	Skruv	Screw	
15	1	1483-2265-01	Transm.platta-gul	Plate Yellow	
15	1	1483-2265-02	Transm.platta-röd	Plate Red	
16	6	9747-0831-02	Mutter	Nut	
17	8	9699-0028-02	Planbricka	Washer	
19	2	9997-0835-12	Skruv	Screw	
19	2	9997-0840-16	Skruv	Screw L = 40 Mm	
20	3	1483-2217-01	Distans	Spacer	
21	1	1483-2267-01	Spännarm-back	Flange	
22	1	9549-0001-00	Kullager	Bearing	
25	1	1483-2175-01	Kuggjul	Sprocket	
26	1	1483-2145-01	Distans	Spacer	
27	1	1483-2147-01	Fäste	Bracket	
28	1	9683-0025-02	Lisbricka	Washer	
29	1	9997-0612-16	Skruv	Screw	
30	1	9747-1231-02	Mutter	Nut	
31	2	1483-2004-01	Spännrulle	Pulley	
32	1	1483-2089-01	Distans	Spacer	
33	1	1483-2263-01	Drivrem	Belt	
34	1	1483-2207-01	Fjäder	Spring	
35	1	1483-2157-01	Fjäder	Spring	
36	1	1483-2215-01	Distans	Spacer	
37	2	9747-1031-02	Mutter	Nut	
38	1	1483-2020-01	Distans	Spacer	
39	1	1483-2284-01	Skruv	Screw	
40	1	1483-2268-01	Distans	Spacer	
41	1	1483-2214-01	Spännarm-fram	Lever	
42	1	1483-2239-01	Remskydd	Cover	
43	1	9699-0105-02	Bricka	Washer	
45	1	1483-2262-01	Remskiva	Pulley	





SILEX 82 RHX - Model Year 2010

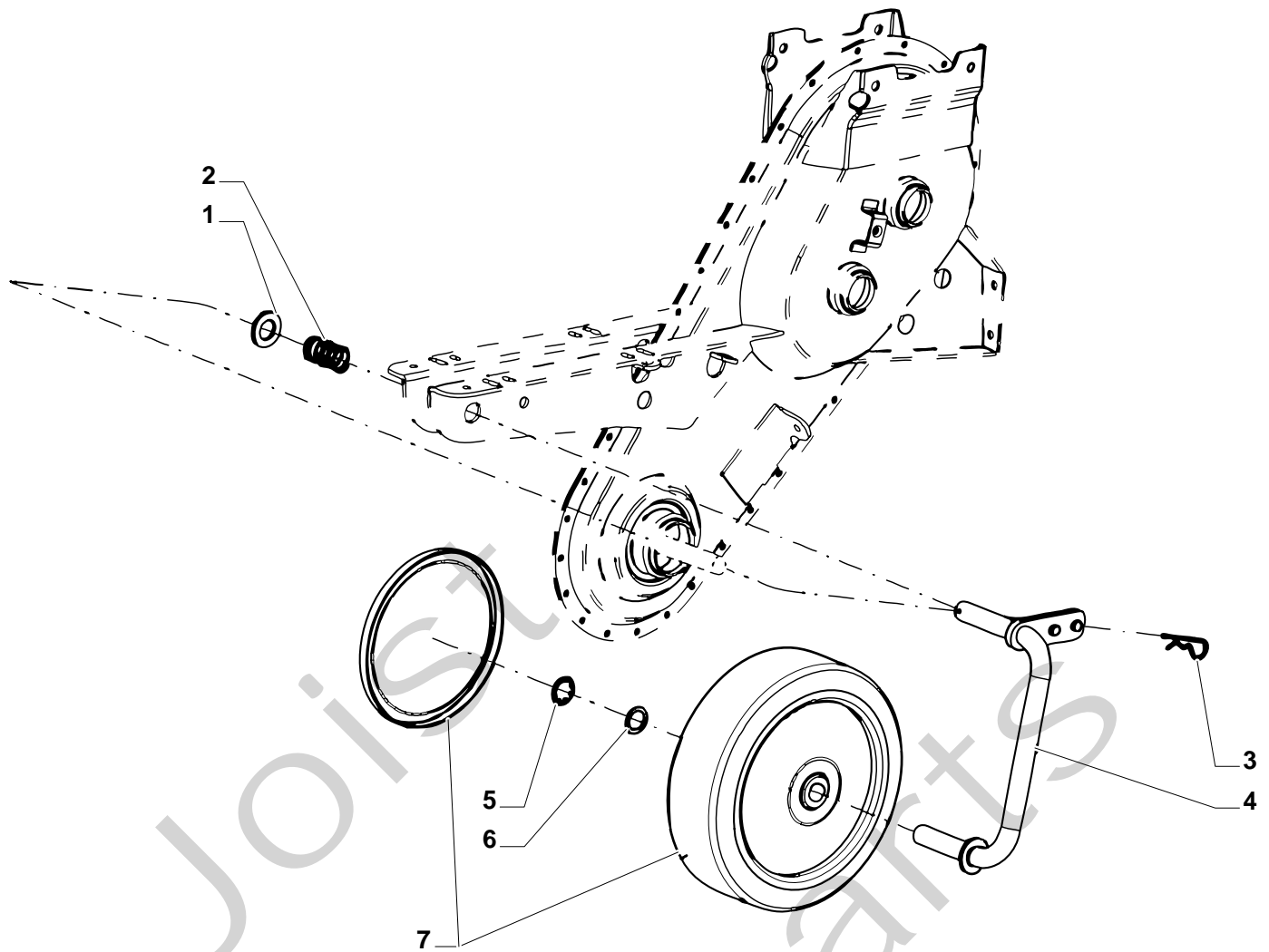
Pos. Fig.	Antal Quantity	Art No Part No	Benämning	Description	Anmärkning Notes
1	1	1483-2237-01	Växelförare	Plate	
2	1	1483-2275-01	O-ring	O Ring	
3	1	9650-0012-04	Seegersäkring	Ring	
4	1	1483-2220-01	Växelhus-hö, gul	Right Housing, Yellow	
5	1	1483-2222-01	Fjäder	Spring	
6	1	1483-2212-01	Oljeplugg	Cap	
7	2	1483-2201-01	Fjäder	Spring	
8	2	1483-2281-01	Stift	Dowel	
9	1	1483-2232-01	Axel	Shaft	
10	1	1483-2235-01	Drev	Ring Gear Z71	
11	5	1483-2117-01	Distans	Spacer	
12	1	1483-2236-01	Distans	Spacer	
13	3	1483-2210-01	Distans	Spacer	
14	1	1483-2221-01	Växelhus-vä, gul	Left Housing, Yellow	
15	3	1483-2272-01	Lock	Cap	
16	1	1483-2274-01	Tätningring	Oil Seal	
17	1	1483-2234-01	Drev	Ring Gear Z34	
18	1	1483-2233-01	Drev	Ring Gear Z65	
19	4	1483-2192-01	Kullager	Bearing	
20	2	1483-2271-01	Seegerring	Seeger	
21	1	1483-2231-01	Distans	Spacer	
22	1	9650-0017-04	Låsring	Snap Ring	
23	1	1483-2203-01	Distans	Spacer	
24	1	1483-2230-01	Drev	Ring Gear Z40	
25	1	9650-0019-04	Låsring	Snap Ring	
26	2	1483-2276-01	Nållager	Needle Bearing	
27	1	1483-2227-01	Axel	Shaft	
28	1	1483-2228-01	Drev	Ring Gear Z34	
29	2	1483-2206-01	Kil	Key	
30	2	1483-2273-01	Tätningring	Oil Seal	
31	1	1483-2282-01	Oljeplugg	Cap	
32	32	9747-0631-02	Mutter	Nut	
33	1	1483-2229-01	Drev	Pinion + Ring Gear Z71	
34	2	1483-2277-01	Kullager	Bearing	
35	1	1483-2226-01	Kedja	Chain	
36	1	1483-2225-01	Kedjehjul	Sprocket	
37	1	1483-2224-01	Rotoraxel	Shaft	
38	27	9959-0612-16	Skruv	Screw	
39	5	9997-0620-16	Skruv	Screw	
40	2	1483-2223-01	Skydd-gul	Guard Yellow	
41	1	1483-2240-01	Tätningring	Gasket	





SILEX 82 RHX - Model Year 2010

Pos. Fig.	Antal Quantity	Art No Part No	Benämning	Description	Anmärkning Notes
1	1	1483-2182-01	Panel-gul	Mask, Yellow	
2	1	1483-2180-01	Panelstag	Bracket	
3	1	1483-2278-01	Gasarm	Lever, Throttle	
4	1	1483-2204-01	Kopplingsreglage-back	Lever	
5	1	9699-0028-02	Planbricka	Washer	
6	2	9747-0831-02	Mutter	Nut	
7	1	1483-2248-01	Styre-överdel	Handle	
8	2	1483-2213-01	Handtag	Handgrip	
9	2	9747-0631-02	Mutter	Nut	
10	2	1483-2200-01	Skruv	Screw	
11	1	9997-0845-12	Skruv	Screw	
12	2	9672-0004-02	Starlock	Washer	
13	1	1483-2116-01	Regl.wire-yttre	Cable	
14	1	1483-2246-01	Reglagewire-back	Wire Sheath	
15	2	9997-0635-12	Skruv	Screw	
16	1	1483-2244-01	Kopplingsreglage-fram	Lever	
17	1	1483-2208-01	Reglagewire-inre	Cable	
18	1	1483-2211-01	Stoppkabel	Wire	
19	1	9683-0025-02	Lisbricka	Washer	
20	1	9747-0631-02	Mutter	Nut	
21	1	1483-2247-01	Kopplingswire-fram	Cable	
22	2	9699-0122-02	Bricka	Washer	
23	1	1483-2006-01	Ratt m.mutter	Knob	
24	2	9699-0122-02	Bricka	Washer	
25	2	1483-2245-01	Styrbricka	Washer	
26	1	1483-2046-01	Reduktion	Stiffening	
27	1	9997-0811-02	Skruv	Screw	
28	1	1483-2045-01	Ratt utan mutter	Knob	
29	1	9997-0812-02	Skruv	Screw	
30	1	1483-2044-01	Lishandtag	Lever	
31	1	1483-2279-01	Knopp	Handgrip	
32	3	1483-2073-01	Tallriksbricka	Washer	
33	1	1483-2243-01	Styrfäste-gul	Support Yellow	



Pos. Fig.	Antal Quantity	Art No Part No	Benämning	Description	Anmärkning Notes
1	1	9699-0119-02	Bricka	Washer	
2	1	1483-2252-01	Fjäder	Spring	
3	1	9598-0002-02	Låsnål	Cotter Pin	
4	1	1483-2254-01	Stödhjulsfäste	Support	
5	1	1483-2280-01	Låsbricka	Washer	
6	1	1483-2117-01	Distans	Spacer	
7	1	1483-2253-01	Stödhjul	Support	