

# Genuine Spare Parts

www.stiga.com

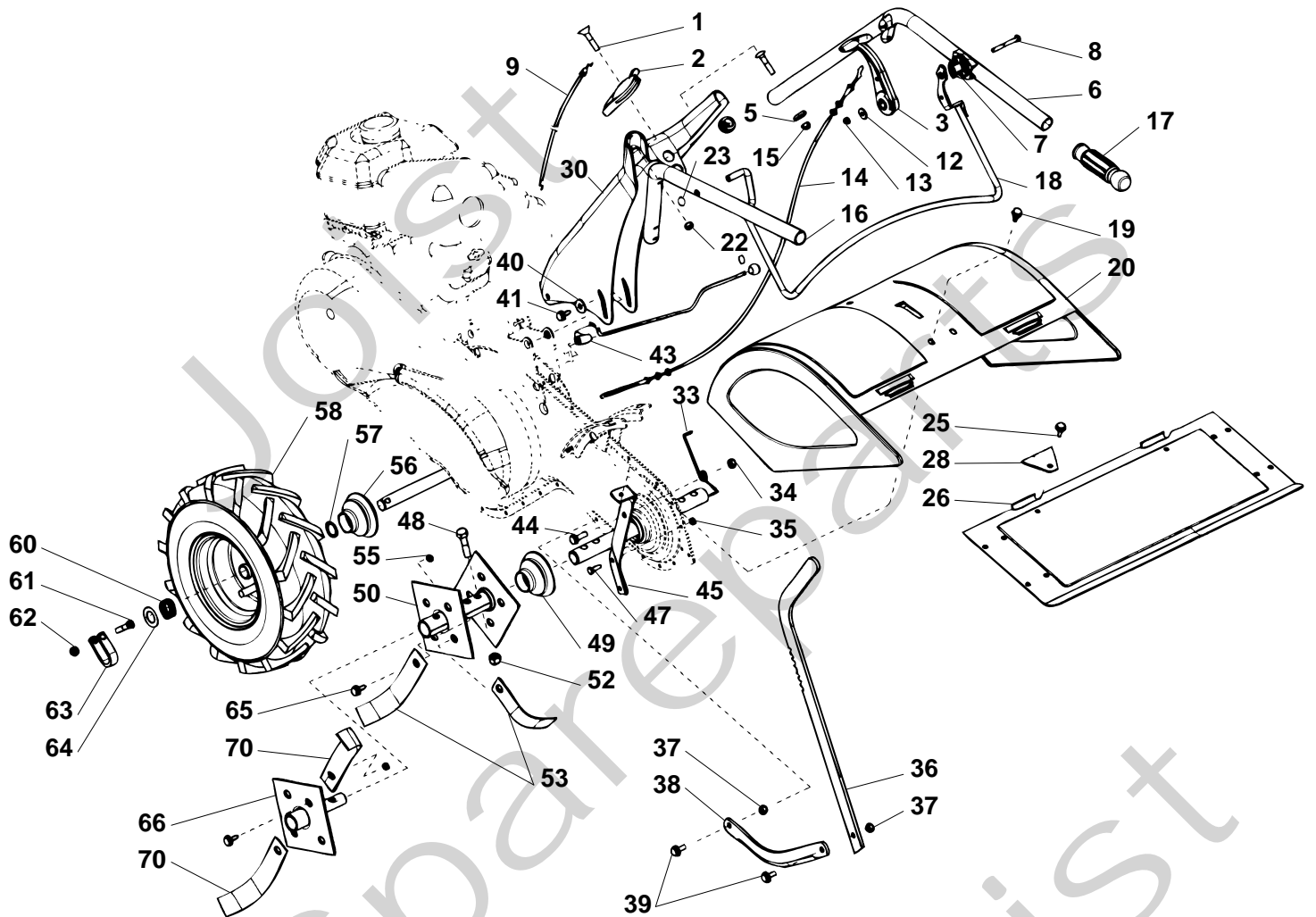
## SILEX 103 Model Year 2010

- Use GLOBAL GARDEN PRODUCT Genuine Spare Parts specified in the parts list for repair and/or replacement.
- The contents described in the parts list may change due to improvement.
- The drawings of the spare parts are only indicative and might not represent the part in question exactly.
- The indications "right" - "left" - "front" - "rear" refer to the position of the operator when using the machine.
- When placing orders of parts for repair and/or replacement, make sure that the illustrated parts list is the one applying to the machine's year of manufacture, as shown on the identification plate attached to the machine.

COPYRIGHT by GLOBAL GARDEN PRODUCTS

All rights reserved. No part of this material may be reproduced or transmitted, in any form or by any means, electronic or mechanical, including photocopying, recording or by any information storage and retrieval system, without permission in writing from GLOBAL GARDEN PRODUCTS.

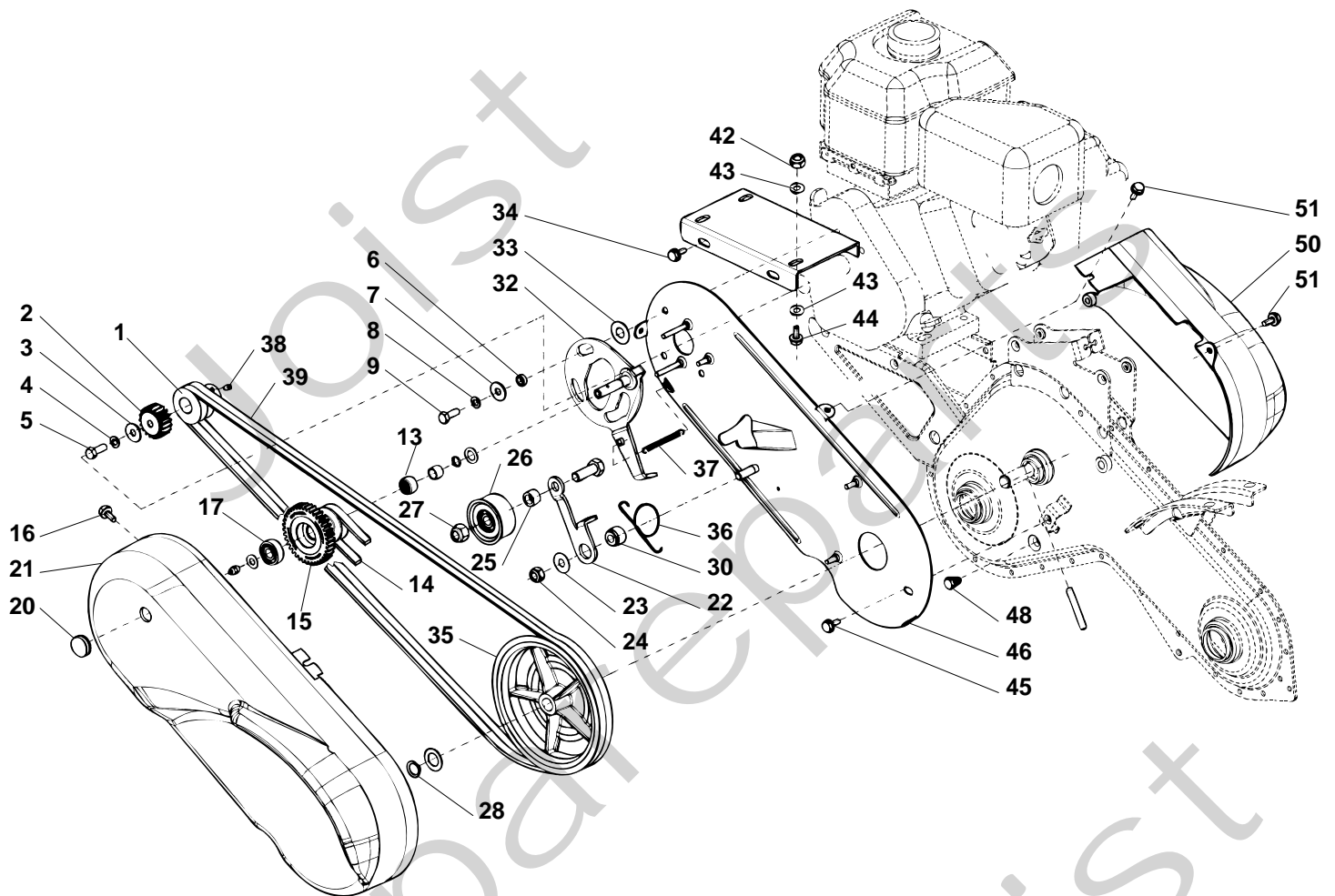






## SILEX 103 - Model Year 2010

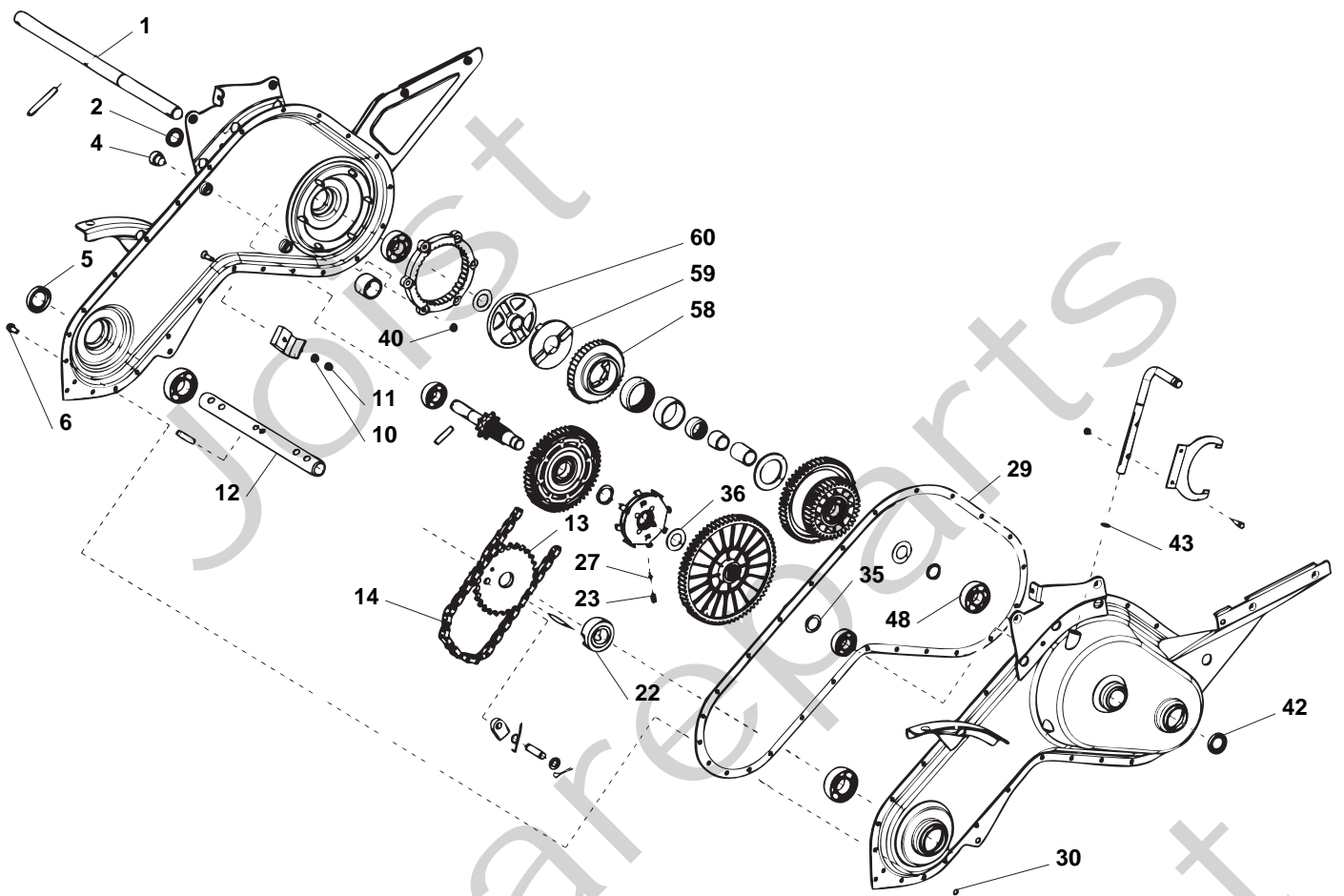
Pos. Fig.	Antal Quantity	Art No Part No	Benämning	Description	Anmärkning Notes
1	1	9948-0655-16	Skruv	Screw	
2	1	1483-2016-01	Gasreglage	Accelerator	
3	1	1483-2017-01	Kopplingshandtag back	Lever	
5	1	9699-0056-02	Planbricka	Washer	
6	1	118800090/0	Styre överdel höger svart	Right black handle	
7	1	1483-2018-01	Stöd	Support	
8	1	9997-0660-12	Skruv	Screw	
9	1	1483-2142-01	Gaswire	Throttle Cable	
12	1	9699-0100-02	Bricka	Washer	
13	1	9747-0631-02	Mutter	Nut	
14	1	118800031/0	Växelhus	Transmission Unit	
15	1	9747-0631-02	Mutter	Nut	
16	1	118800091/0	Styre överdel vänster svart	Left black handle	
17	1	1483-2213-01	Handtag	Handgrip	
18	1	118800094/0	Spak svart	Clutch Lever Black	
19	1	9959-0816-16	Skruv	Screw	
20	1	118800096/0	Remskydd gul	Yellow Carter	
22	1	9747-0631-02	Mutter	Nut	
23	1	9672-0004-02	Starlock	Washer	
25	1	9959-0816-16	Skruv	Screw	
26	1	118800101/0	Strimla gul	Yellow Strip	
28	1	118800098/0	Plåt gul	Plate Yellow	
30	1	118800093/0	Stöd Styre överdel gul	Yellow handle support	
33	1	118800099/0	Vår	Spring spur cutter	
34	1	9747-0631-02	Mutter	Nut	
35	1	9747-0631-02	Mutter	Nut	
36	1	118800102/0	Sporre	Spur	
37	1	9747-0631-02	Mutter	Nut	
38	1	118800103/0	Kniv svart	Black Blade	
39	1	9959-0825-16	Skruv	Screw	
40	1	9699-0122-02	Bricka	Washer	
41	1	9959-0816-16	Skruv	Screw	
43	1	118800032/0	Ledkåpa, vä+hö	Joint	
44	1	9959-0825-16	Skruv	Screw	
45	1	118800104/0	Fäste hö Stöd	Right Bracket Support	
45	1	118800105/0	Fäste-vä Stöd	Left Bracket Support	
47	1	9997-0620-16	Skruv	Screw	
48	1	9997-1050-16	Skruv	Screw	
49	1	1483-2173-01	Dammskydd	Dust Cover	
50	1	118800110/0	ärm höger	Right muff	
50	1	118800111/0	ärm vänster	Left muff	
52	1	9747-1031-02	Mutter	Nut	
53	1	118800037/0	Rotor kpl hö	Right Tine Assy	
53	1	118800038/0	Knivrotor kpl-vä	Left Tine Assy	
55	1	9747-0631-02	Mutter	Nut	
56	1	1483-2173-01	Dammskydd	Dust Cover	
57	1	1483-2117-01	Distans	Spacer	
58	1	118800106/0	Rotera höger	Right Wheel	
58	1	118800107/0	Rotera vänster	Left Wheel	
60	1	118800034/0	Fjäder	Spring	
61	1	118800036/0	Skruv	Screw	
62	1	9747-0631-02	Mutter	Nut	
63	1	118800033/0	Fäste	Clamp	
64	1	118800035/0	Distans	Yellow Spacer	
65	1	9997-0825-16	Skruv	Screw	
66	1	118800108/0	Stjärna höger	Right star	
66	1	118800109/0	Stjärna vänster	Left star	
70	1	118800037/0	Rotor kpl hö	Right Tine Assy	
70	1	118800038/0	Knivrotor kpl-vä	Left Tine Assy	





## SILEX 103 - Model Year 2010

Pos. Fig.	Antal Quantity	Art No Part No	Benämning	Description	Anmärkning Notes
1	1	118550544/0	Remskiva maskinrummet	Double engine pulley	
2	1	118800040/0	Drev	Pinion	
3	1	9699-0122-02	Bricka	Washer	
4	1	9699-0028-02	Planbricka	Washer	
5	1	1483-2283-01	Skruv	Screw	
6	1	1483-2216-01	Bricka	Washer	
7	1	9699-0122-02	Bricka	Washer	
8	1	9699-0028-02	Planbricka	Washer	
9	1	1483-2283-01	Skruv	Screw	
13	1	118800116/0	låda rulle	Roll case	
14	1	118800039/0	Drivrem	Belt	
15	1	118800041/0	Drev	Pinion	
16	1	9959-0816-16	Skruv	Screw	
17	1	9549-0001-00	Kullager	Bearing	
20	1	118800120/0	Lock Ø20	Cap Ø20	
21	1	118800119/0	Motorhuv vänster	Left Hood	
22	1	118800117/0	Arm	Lever	
23	1	1483-2020-01	Distans	Spacer	
24	1	9747-1031-02	Mutter	Nut	
25	1	1483-2215-01	Distans	Spacer	
26	1	118800042/0	Motorremskiva	Pulley	
27	1	9747-1231-02	Mutter	Nut	
28	1	9650-0017-04	Låsring	Snap Ring	
30	1	1483-2153-01	Distans	Spacer	
32	1	118800115/0	Stöd	Support	
33	1	1483-2217-01	Distans	Spacer	
34	1	9959-0816-16	Skruv	Screw	
35	1	118800118/0	Remskiva Aluminum	Alluminium Pulley	
36	1	1483-2157-01	Fjäder	Spring	
37	1	1483-2207-01	Fjäder	Spring	
38	1	9915-0610-15	Skruv	Screw	
39	1	1483-2149-01	Drivrem	Belt	
40	1	118550543/0	Motor stöd gul	Yellow engine support	
42	1	9747-0831-02	Mutter	Nut	
43	1	9699-0028-02	Planbricka	Washer	
44	1	9997-0835-12	Skruv	Screw	
45	1	9959-0816-16	Skruv	Screw	
46	1	118800114/0	Vägg motorhuv gul	Yellow side hood	
48	1	1483-2075-01	Lock	Cap	
50	1	118800112/0	Motorhuv höger	Right Hood	
51	1	9959-0816-16	Skruv	Screw	





## SILEX 103 - Model Year 2010

Pos. Fig.	Antal Quantity	Art No Part No	Benämning	Description	Anmärkning Notes
1	1	118800121/0	Styrorganet axel	Control wheel shaft	
2	1	1483-2187-01	Tätningring	Oil Seal	
4	1	1483-2212-01	Oljeplugg	Cap	
5	1	1483-2070-01	Tätningring	Oil Seal	
6	1	9959-0612-16	Skruv	Screw	
10	1	1483-2194-01	Bricka	Washer	
11	1	9747-0631-02	Mutter	Nut	
12	1	118800123/0	Träd kniv kommandot	Shaft Tine command	
13	1	118800124/0	Redskap	Gear	
14	1	118800125/0	Kedja	Chain	
22	1	118800126/0	Cams kontroll kniv	Cams control cutter	
23	1	1483-2201-01	Fjäder	Spring	
27	1	1483-2281-01	Stift	Dowel	
29	1	118800046/0	Packning	Gasket	
30	1	9747-0631-02	Mutter	Nut	
35	1	1483-2117-01	Distans	Spacer	
36	1	118800035/0	Distans	Yellow Spacer	
40	1	9747-0631-02	Mutter	Nut	
42	1	1483-2069-01	Tätningring	Oil Seal	
43	1	1483-2275-01	O-ring	O Ring	
48	1	118800122/0	Baring	Bearing	
58	1	118800043/0	Drev	Ring Gear	
59	1	118800045/0	Förbindning	Joint Chair Ass'Y	
60	1	118800044/0	Förbindning	Joint Chair Ass'Y	