

Genuine Spare Parts

www.stiga.com

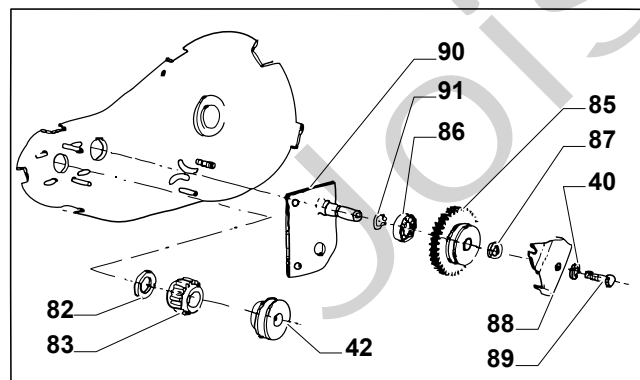
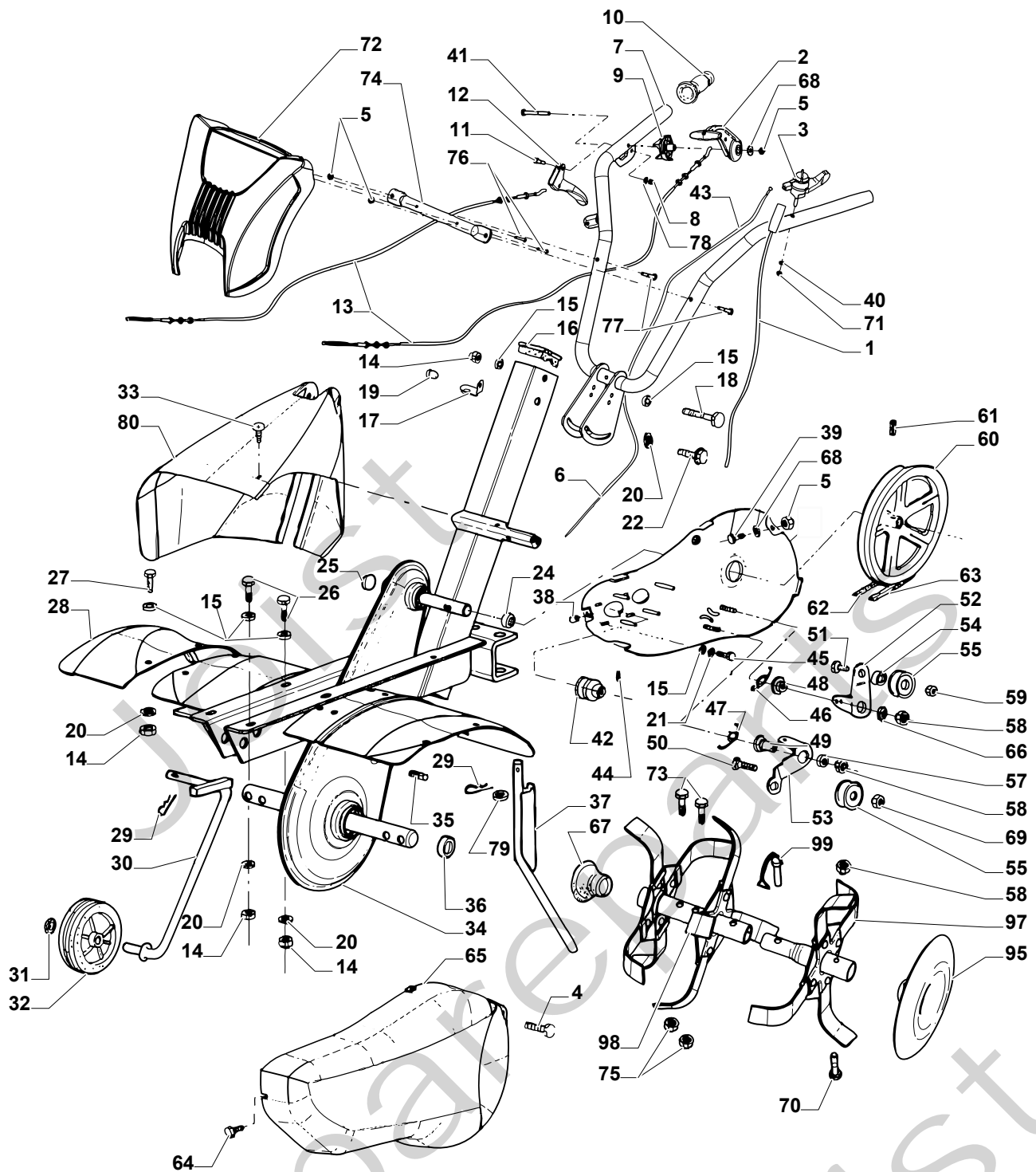
SILEX 75 R G Model Year 2011

- Use GLOBAL GARDEN PRODUCT Genuine Spare Parts specified in the parts list for repair and/or replacement.
- The contents described in the parts list may change due to improvement.
- The drawings of the spare parts are only indicative and might not represent the part in question exactly.
- The indications "right" - "left" - "front" - "rear" refer to the position of the operator when using the machine.
- When placing orders of parts for repair and/or replacement, make sure that the illustrated parts list is the one applying to the machine's year of manufacture, as shown on the identification plate attached to the machine.

COPYRIGHT by GLOBAL GARDEN PRODUCTS

All rights reserved. No part of this material may be reproduced or transmitted, in any form or by any means, electronic or mechanical, including photocopying, recording or by any information storage and retrieval system, without permission in writing from GLOBAL GARDEN PRODUCTS.



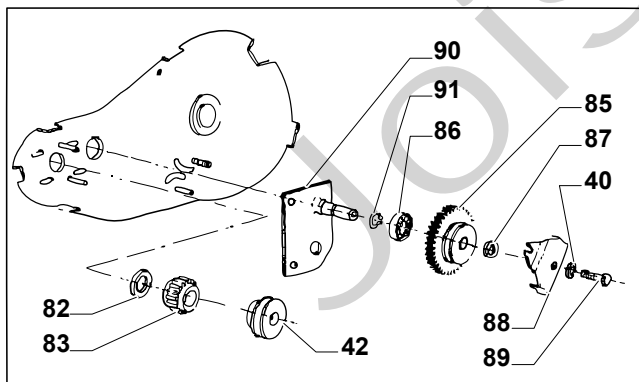
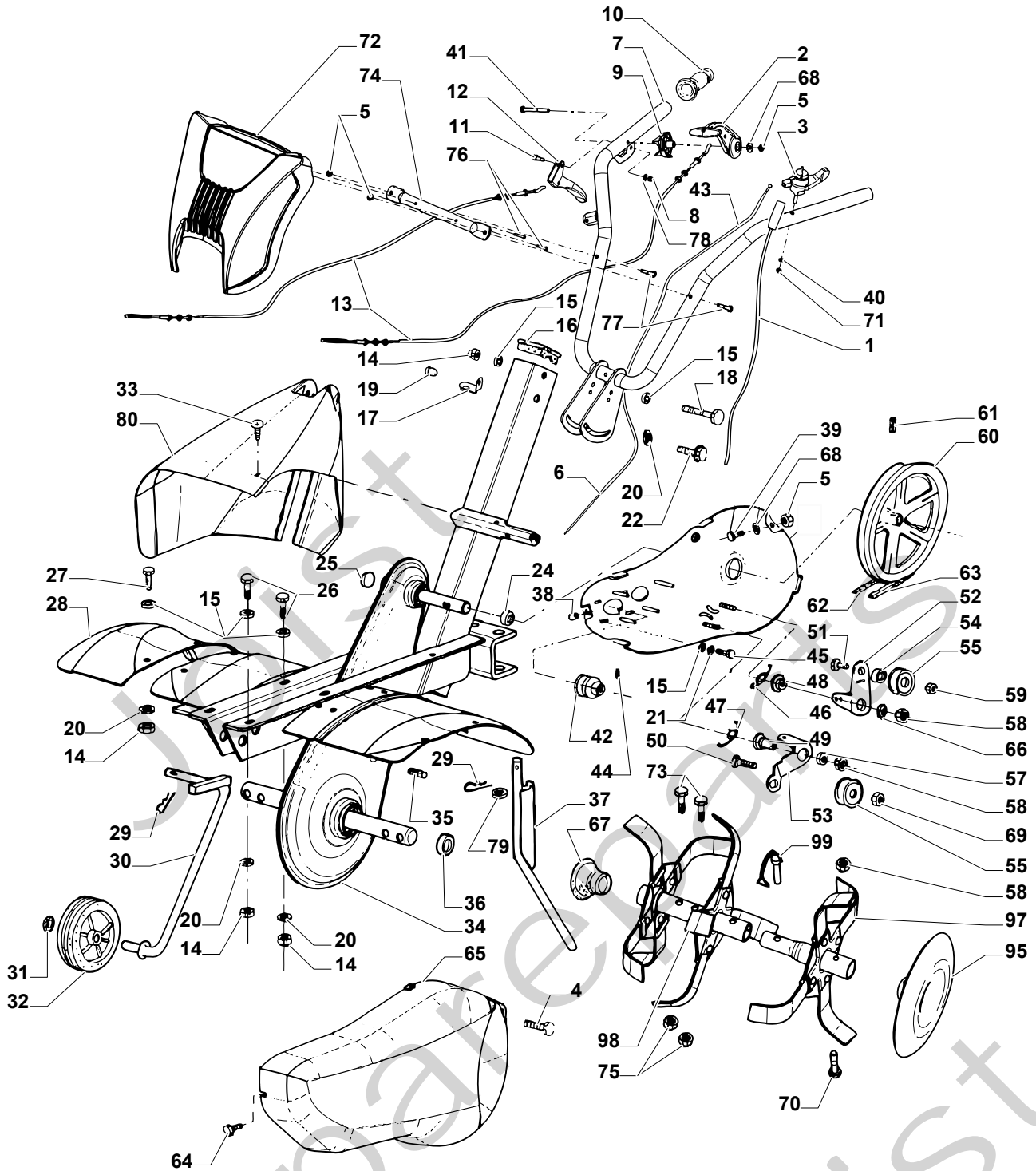
SILEX 75 R G




SILEX 75 R G

Pos. Fig.	Antal Quantity	Art No Part No	Benämning	Description	Anmärkning Notes
1	1	9898-0855-12	Skruv	Screw	
3	1	81007279/1	Gasarm	Lever, Throttle	
4	1	9959-0616-16	Skruv	Screw	
5	4	9747-0631-02	Mutter	Nut	
6	1	1483-2181-01	Gaswire	Throttle Cable	
7	1	1483-2163-01	Styre-överdel	Handle	
8	1	9747-0531-02	Mutter	Nut	
9	1	1483-2018-01	Stöd	Support	
10	2	1483-2079-01	Handtagsgrepp	Handgrip	
11	1	1483-2005-01	Stift	Pin	
12	1	1483-2008-01	Kopplingshandtag	Handle	
13	2	1483-2162-01	Reglagewire	Cable	
14	9	9747-0831-02	Mutter	Nut	
15	16	9699-0028-02	Bricka	Washer	
16	1	1483-2166-01	Lock	Cap	
17	1	1483-2021-01	Vinkelfäste	Support	
18	1	9997-0865-12	Skruv	Screw	
19	2	1483-2191-01	Mutter	Nut	
20	9	9699-0122-02	Bricka	Washer	
21	4	9699-0028-02	Bricka	Washer	
22	2	9959-0825-16	Skruv	Screw	
24	1	1483-2187-01	Tätningring	Oil Seal	
25	1	1483-2186-01	Lock	Cap	
26	4	9997-0840-16	Skruv	Screw L=40 mm	
27	4	9997-0820-16	Skruv	Screw	
28	1	1483-2171-01	Skyddsplåt-hö, gul	Plate, Right Yellow	
28	1	1483-2172-01	Skyddsplåt-vä, gul	Plate, Left Yellow	
29	2	9598-0002-02	Låsnål	Cotter Pin	
30	1	1483-2168-01	Stödhjulsfäste	Support	
31	1	1483-2195-01	Bricka	Washer	
32	1	1483-2112-01	Stödhjul	Support	
33	1	9943-0625-16	Skruv	Screw	
34	1	1483-2156-01	Växelhus kpl-gul	Transm.housing-yellow	
35	1	1483-2075-01	Lock	Cap	
36	2	1483-2070-01	Tätningring	Oil Seal	
37	1	1483-2167-01	Bromssporre	Lever	
38	1	1483-2190-01	Mutter	Nut	
39	1	9997-0616-16	Skruv	Screw	
40	1	9683-0025-02	Bricka	Washer	
41	1	9997-0660-12	Skruv	Screw	
42	1	1483-2174-01	Remskiva	Pulley	
43	1	322981740/1	Gasreglage	Accelerator	
44	1	9915-0610-15	Skruv	Screw	
45	4	9987-5116-16	Skruv	Screw	
46	1	1483-2158-01	Fjäder	Spring	
47	1	1483-2157-01	Fjäder	Spring	
48	1	1483-2153-01	Distans	Spacer	
49	1	1483-2152-01	Distans	Spacer	
50	1	1483-2076-01	Skruv	Screw	
51	1	9997-1235-16	Skruv	Screw	
52	1	1483-2154-01	Spännarm	Lever	
53	1	1483-2155-01	Spännarm	Lever	
54	1	1483-2151-01	Distans	Spacer	
55	1	1483-2004-01	Spännrulle	Pulley	
56	1	22171006/0	Distans	Spacer	
57	2	9699-0035-02	Bricka	Washer	
58	4	9747-1031-02	Mutter	Nut	
59	1	9747-1231-02	Mutter	Nut	
60	1	1483-2150-01	Remskiva	Pulley	
61	1	9595-0277-01	Stift	Pin	
62	1	1483-2141-01	Drivrem	Belt	
63	1	1483-2149-01	Drivrem	Belt	
64	1	9959-0616-16	Skruv	Screw	

SILEX 75 R G

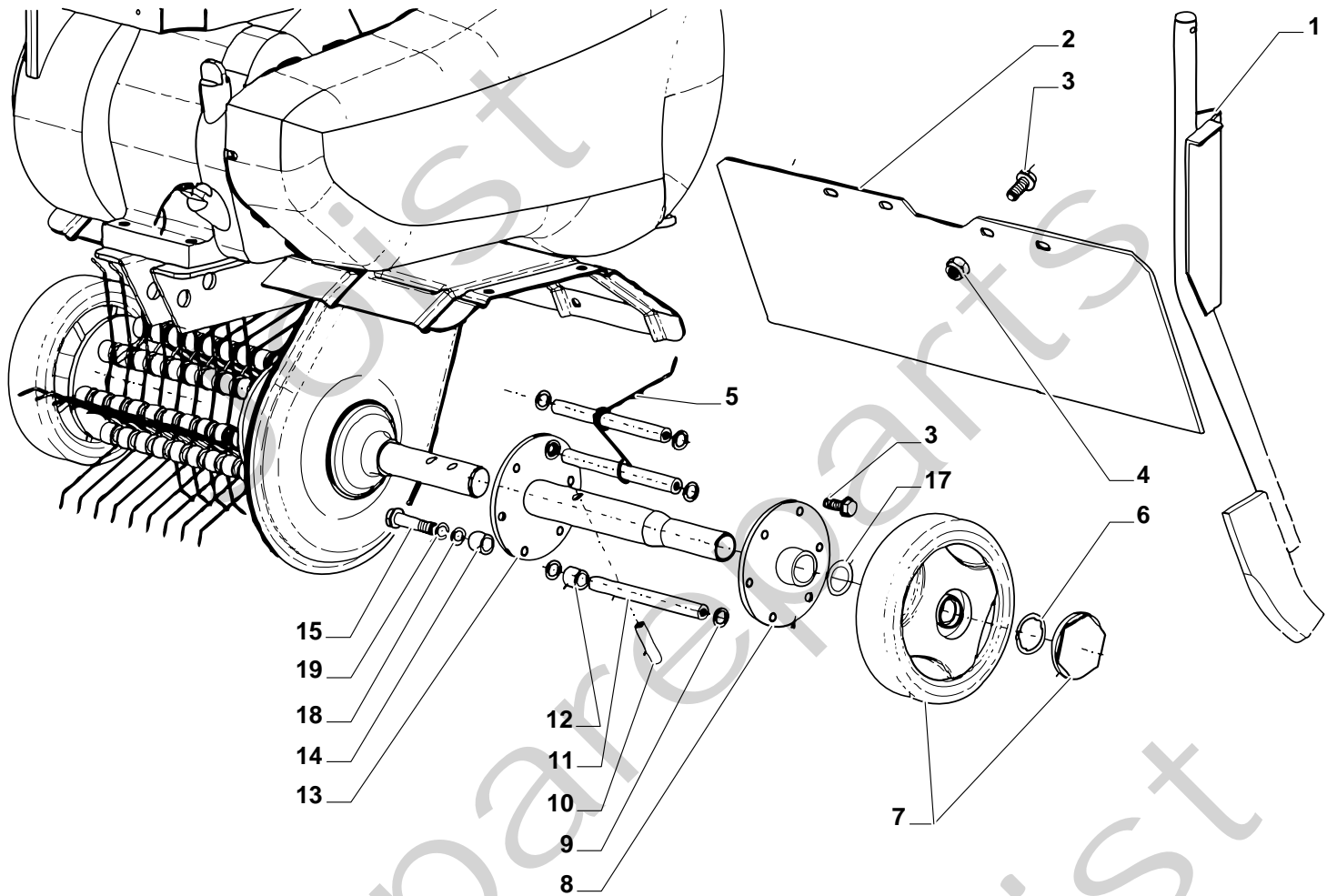




SILEX 75 R G

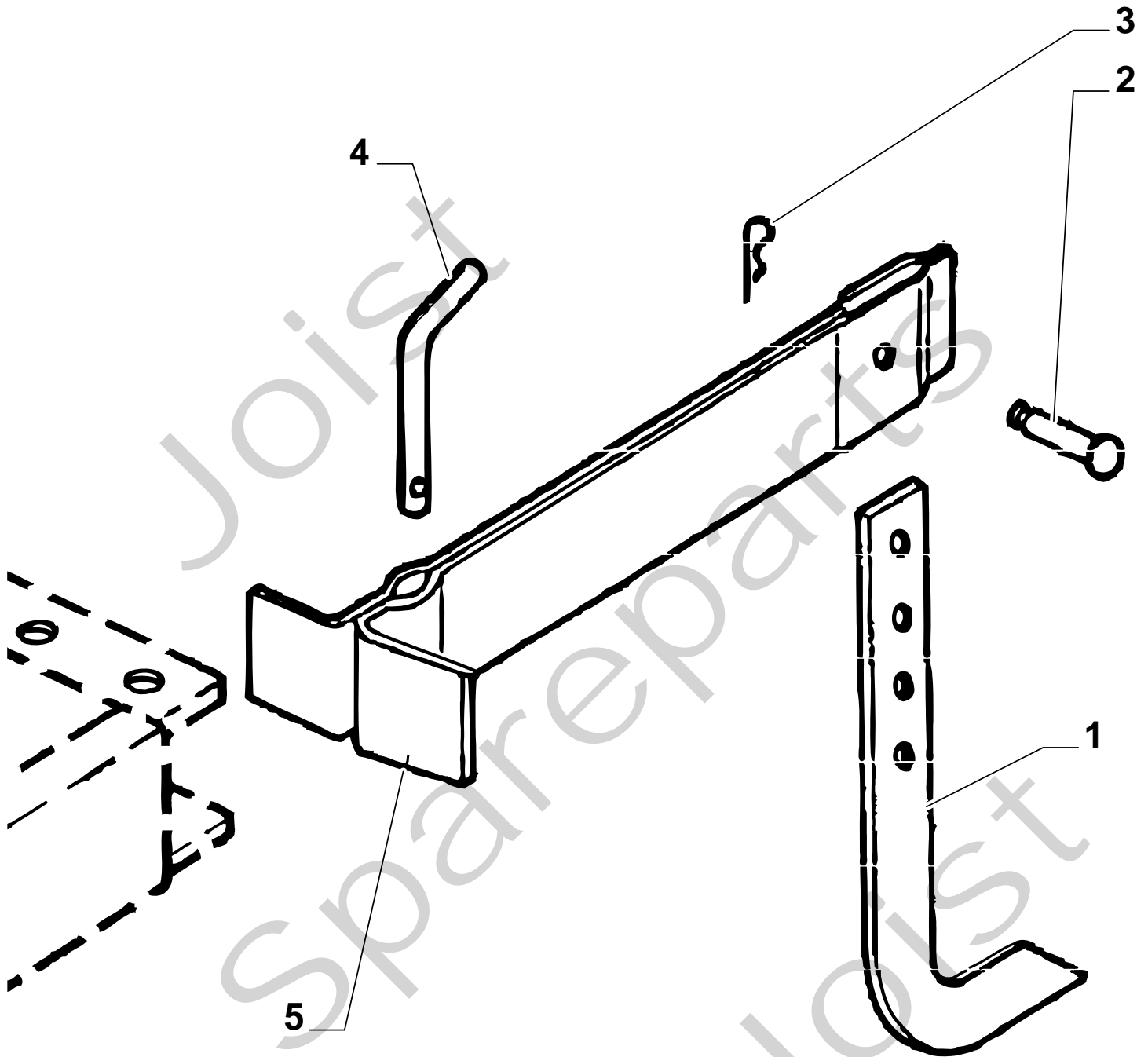
Pos. Fig.	Antal Quantity	Art No Part No	Benämning	Description	Anmärkning Notes
65	1	1483-2159-01	Skydd	Guard	
66	1	1483-2020-01	Distans	Spacer	
67	2	1483-2173-01	Dammskydd	Dust Cover	
68	2	9699-0100-02	Bricka	Washer	
69	1	1483-2193-01	Mutter	Nut	
70	2	9997-1050-16	Skruv	Screw	
71	1	9699-0024-02	Bricka	Washer	
72	1	9799-0531-02	Mutter	Nut	
73	1	12508100/0	Rivet	Spring Washer	
75	1	1483-2182-01	Frontkåpa-gul	Mask, Yellow	
76	1	1483-2180-01	Panelstag	Bracket	
77	2	1483-2200-01	Skruv	Screw	
78	1	9699-0025-02	Bricka	Washer	
79	1	9699-0104-02	Bricka	Washer	
80	1	1483-2160-01	Kåpa-gul	Cover Yellow	
80	1	1483-2161-01	Kåpa-gul	Cover Yellow	
82	1	1483-2117-01	Distans	Spacer	
83	1	1483-2176-01	Kuggjul	Sprocket	
84	2	9997-0635-12	Skruv	Screw	
85	1	1483-2175-01	Kuggjul	Sprocket	
86	1	9549-0001-00	Kullager	Bearing	
87	1	1483-2145-01	Distans	Spacer	
88	1	1483-2147-01	Fäste	Bracket	
89	1	9997-0612-16	Skruv	Screw	
90	1	1483-2146-01	Monteringsplatta	Plate	
91	1	9650-0012-04	Seegersåkring	Ring	
95	2	1483-2022-01	Sidotallrik	Disc	
97	1	1483-2169-01	Rotor kpl-yttre, hö	Right Tine Assy	
97	1	1483-2170-01	Rotor kpl-yttre, vä	Left Tine Assy	
98	1	1483-2023-01	Rotor kpl-yttre, hö	Right Tine Assy	
98	1	1483-2024-01	Rotor kpl-vä	Left Tine Assy	
99	2	1483-2196-01	Stift	Pin	

SILEX 75 R G



**SILEX 75 R G**

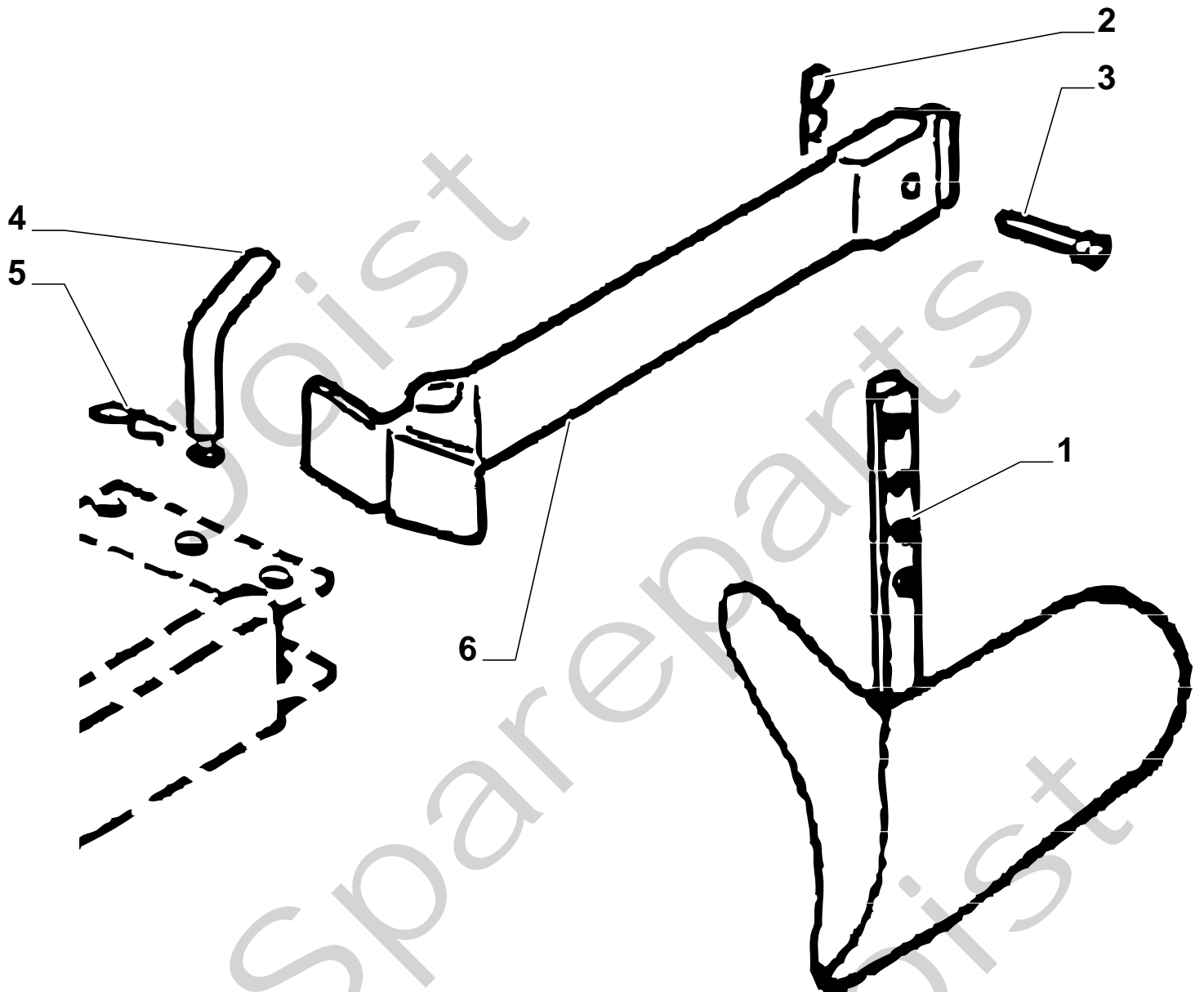
Pos. Fig.	Antal Quantity	Art No Part No	Benämning	Description	Anmärkning Notes
1	1	1483-2317-01	Länk	Rod	
2	1	1483-2318-01	Skyddsplåt	Cover	
3	16	9959-0816-16	Skruv	Screw	
4	4	9747-0831-02	Mutter	Nut	
5	96	1483-2307-01	Fjäder	Spring	
6	2	1483-2322-01	Låsbricka	Crown Fastener	
7	2	1483-2314-01	Hjul	Wheel	
8	2	1483-2313-01	Fläns	Flange	
9	36	9699-0121-02	Bricka	Washer	
10	2	1483-2324-01	Sprint	Pin	
11	12	1483-2305-01	Vevaxel	Shaft	
12	96	1483-2315-01	Distans	Spacer	
13	2	1483-2312-01	Fäste	Clamp	
14	12	1483-2316-01	Distans	Spacer	
15	12	9997-0835-12	Skruv	Screw L=35 mm	
17	2	1483-2297-01	Distans	Spacer	
18	12	9699-0122-02	Bricka	Washer	
19	12	9699-0028-02	Bricka	Washer	





SILEX 75 R G

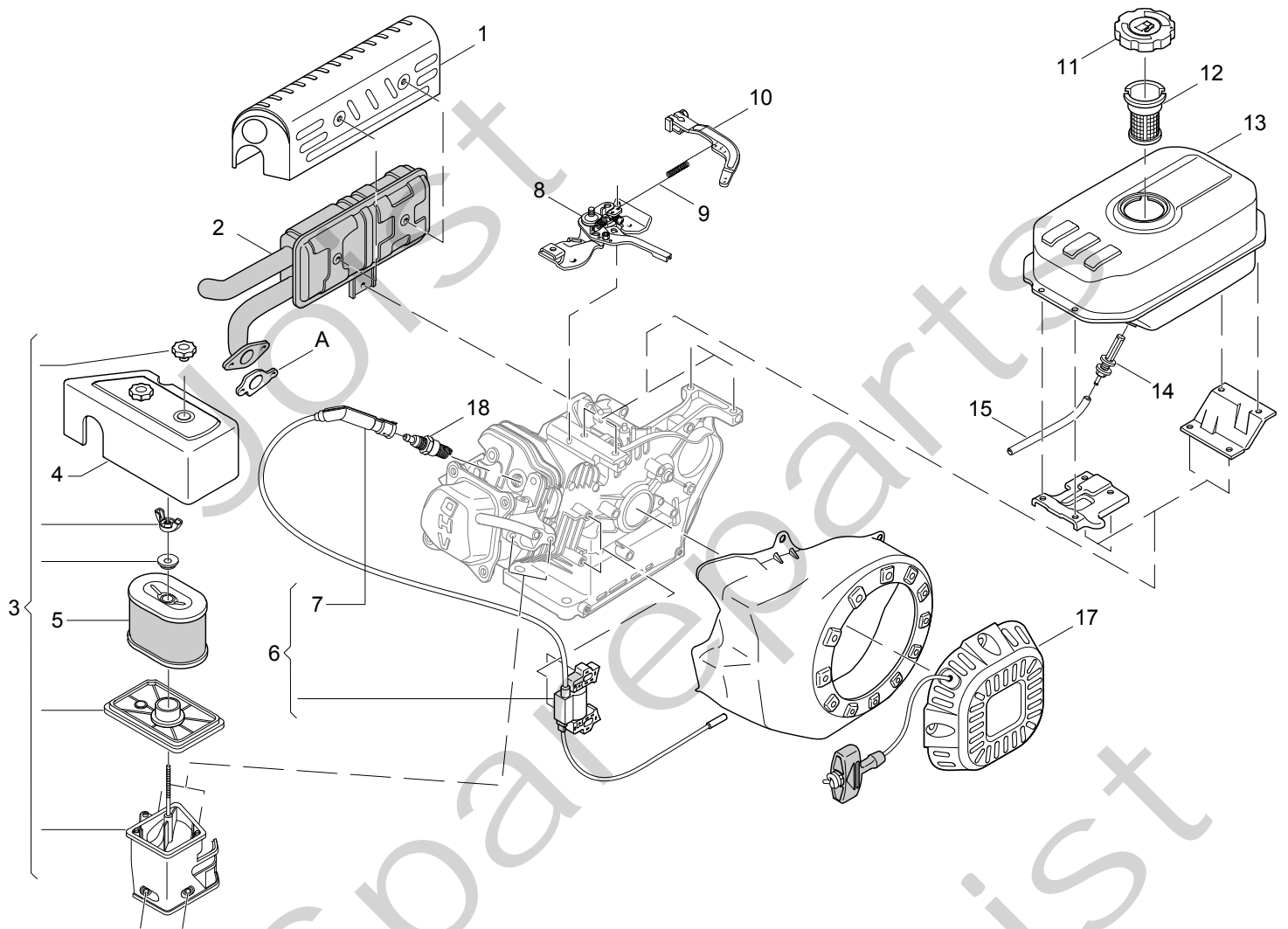
Pos. Fig.	Antal Quantity	Art No Part No	Benämning	Description	Anmärkning Notes
1	1	1483-2287-01	Bromssporre	Rod	
2	1	1483-2286-01	Stift	Pin	
3	1	9599-0052-02	Stift	Pin	
4	1	1483-2292-01	Stift	Pin	
5	1	1483-2293-01	Fäste	Bracket	



**SILEX 75 R G**

Pos. Fig.	Antal Quantity	Art No Part No	Benämning	Description	Anmärkning Notes
1	1	1483-2294-01	Plog	Plough	
2	1	9598-0002-02	Låsnål	Cotter Pin	
3	1	1483-2286-01	Stift	Pin	
4	1	1483-2292-01	Stift	Pin	
5	1	9599-0052-02	Stift	Pin	
6	1	1483-2293-01	Fäste	Bracket	

SILEX 75 R G

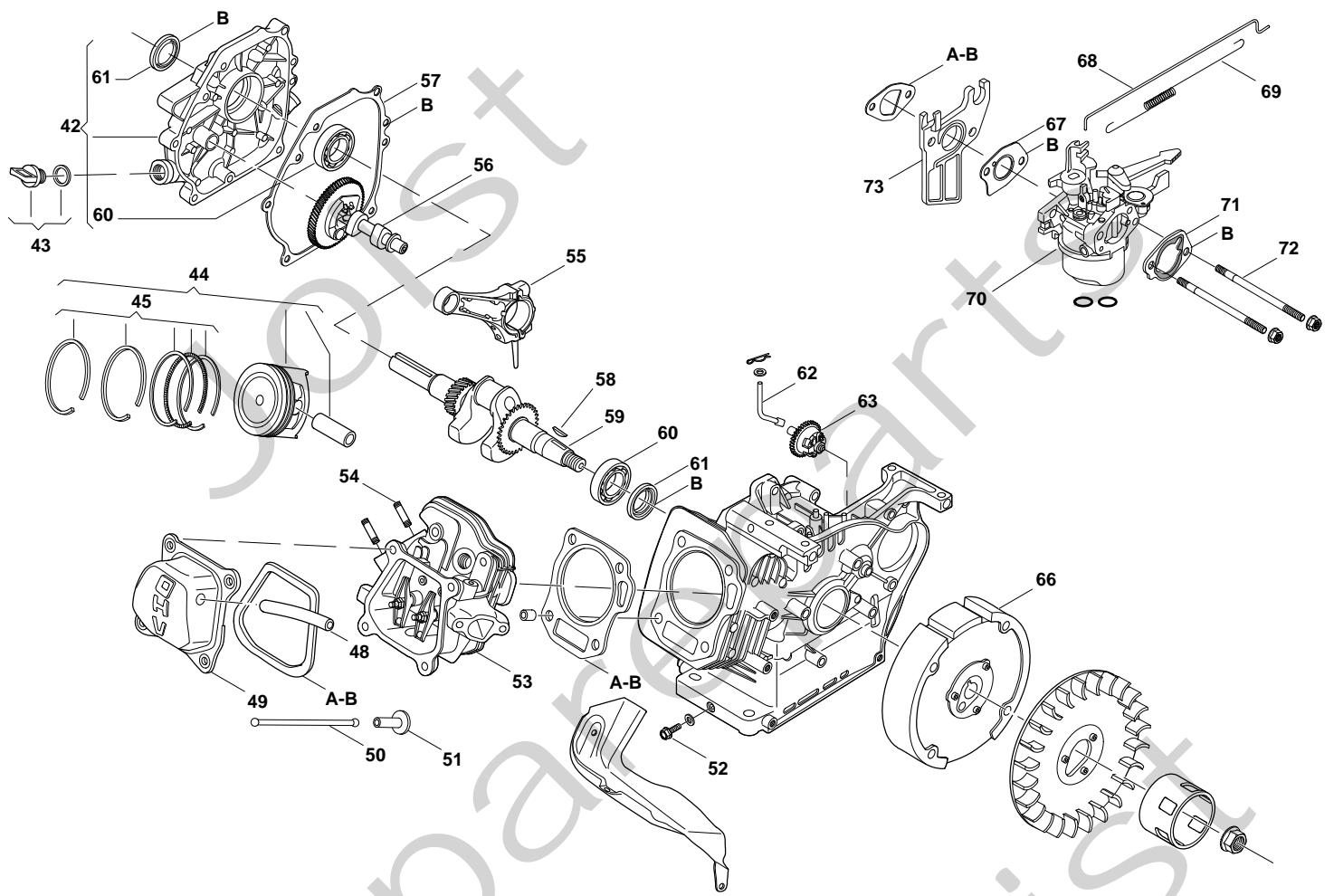




SILEX 75 R G

Pos. Fig.	Antal Quantity	Art No Part No	Benämning	Description	Anmärkning Notes
1	1	118550499/0	Ljuddämparskydd	Muffler Guard	
2	1	118550498/0	Ljuddämpare	Muffler	
3	1	118550497/0	Lufffilter	Air Cleaner Assy	
4	1	118550495/0	Lufffilterlock	Air Cleaner Cover	
5	1	118550496/0	Lufffilter	Air Filter	
6	1	118550487/0	Elektron kspole	Elettronic Coil	
7	1	118550488/0	Spark Plug Spring	Spark Plug Spring	
8	1	118550494/0	Remote Control Assy	Remote Control Assy	
9	1	118550490/0	Fjäder	Spring	
10	1	118550491/0		Arm Governor Assy	
11	1	118550502/0	Lock	Fuel Cap	
12	1	118550503/0	Bränslefilter	Fuel Filter	
13	1	118550501/0	Tank	Tank	
14	1	118550500/0	Fuel Tank Hose Connection	Fuel Tank Hose Connection	
15	1	118550504/0	Bränsleslang-in	Fuel Pipe	
17	1	118550477/0	Start kpl	Starter Assy	
18	1	9400-0244-00	Tändstift	Spark Plug	

SILEX 75 R G

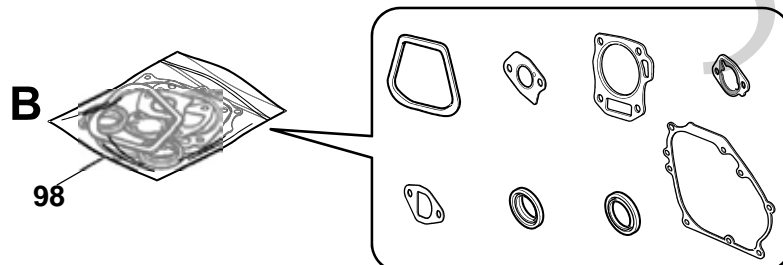
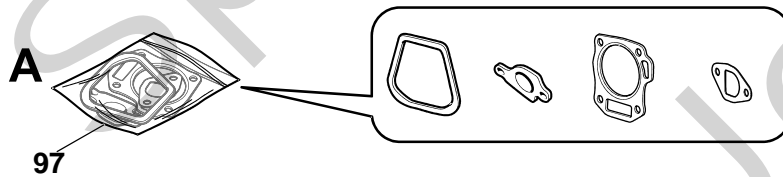
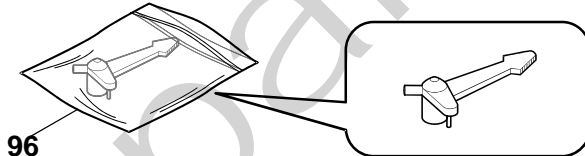
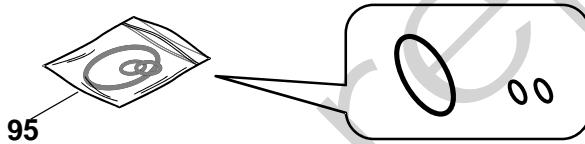
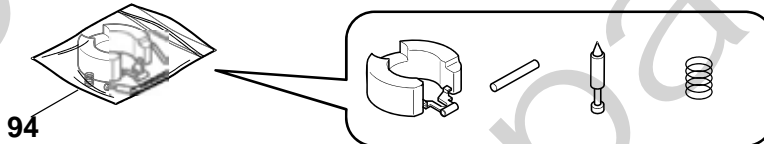
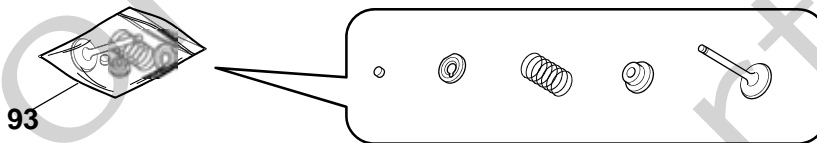
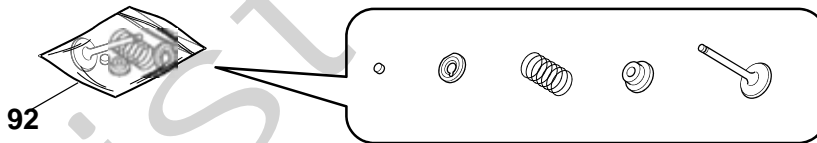
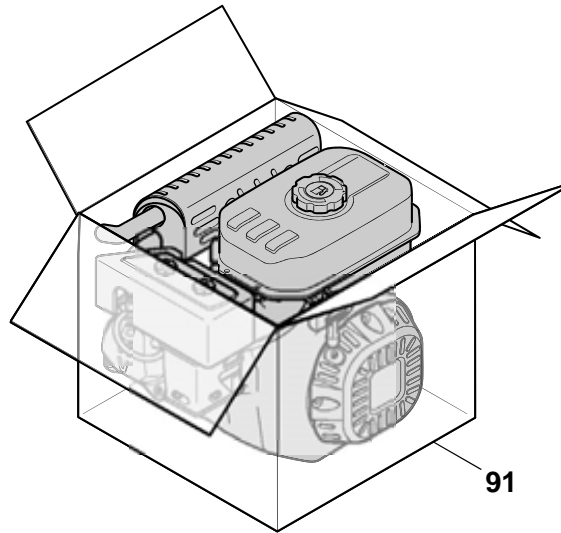




SILEX 75 R G

Pos. Fig.	Antal Quantity	Art No Part No	Benämning	Description	Anmärkning Notes
41	1	118550466/0	Tanklock	Oil Filler Assy	
42	1	118550464/0	Vevhus	Crankcase Cover Assy	
43	1	118550467/0	Tanklock	Cap Oil Tank	
44	1	118550469/0	Kolv kpl	Piston Assy	
45	1	118550468/0	Piston, Ring Set	Piston, Ring Set	
48	1	118550456/0	Oljeslang	Breather Fule Pipe	
49	1	118550455/0	Cover Comp., Head	Cover Comp., Head	
50	2	118550474/0	Push Rods	Push Rods	
51	2	118550475/0	Valve Lifter	Valve Lifter	
52	1	118550460/0	Oljevol	Oil Cap	
53	1	118550505/0	Cylinder Head Assy	Cylinder Head Assy	
54	2	118550454/0	Skruv	Stud Bolt	
55	1	118550470/0	Connecting Rod Assy	Connecting Rod Assy	
56	1	118550476/0	Vevaxel	Camshaft Assy	
57	1	118550465/0	Packning	Crankcase Gasket	
58	1	118550618/0	Kil	Flywheel Key	
59	1	118550471/0	Vevaxel	Crankshaft	
60	2	118550462/0	Kullager	Bearing	
61	2	118550463/0	Tätningring	Oil Seal	
62	1	118550459/0	Vevaxel	Shaft, Governor Arm	
63	1	118550458/0	Speed Governor Assy	Speed Governor Assy	
66	1	118550489/0	Svånghjul	Flywheel Ass.Y	
67	1	118550483/0		Gasket	
68	1	118550493/0	Choke Control Rod	Choke Control Rod	
69	1	118550492/0	Fjäder	Spring	
70	1	118550480/0	Förgasare	Carburettor	
71	1	118550482/0		Gasket	
72	2	118550453/0	Skruv	Stud Bolt	
73	1	118550484/0	Insugningsrör	Intake Manifold	

SILEX 75 R G



**SILEX 75 R G**

Pos. Fig.	Antal Quantity	Art No Part No	Benämning	Description	Anmärkning Notes
91	1	118550508/0	Motor Monterade	Engine Assembled	
92	1	118550472/0	Intake Valve Assy	Intake Valve Assy	
93	1	118550473/0	Exhaust Valve Assy	Exhaust Valve Assy	
94	1	118550486/0		Kit Repair, Carburettor	
95	1	118550485/0	Packning	Gasket Carburettor Assy	
96	1	118550481/0		Choke Lever	
97	1	118550506/0	Cylinder Head Gasket Set	Cylinder Head Gasket Set	
98	1	118550507/0	Packning	Engine Gasket Set	