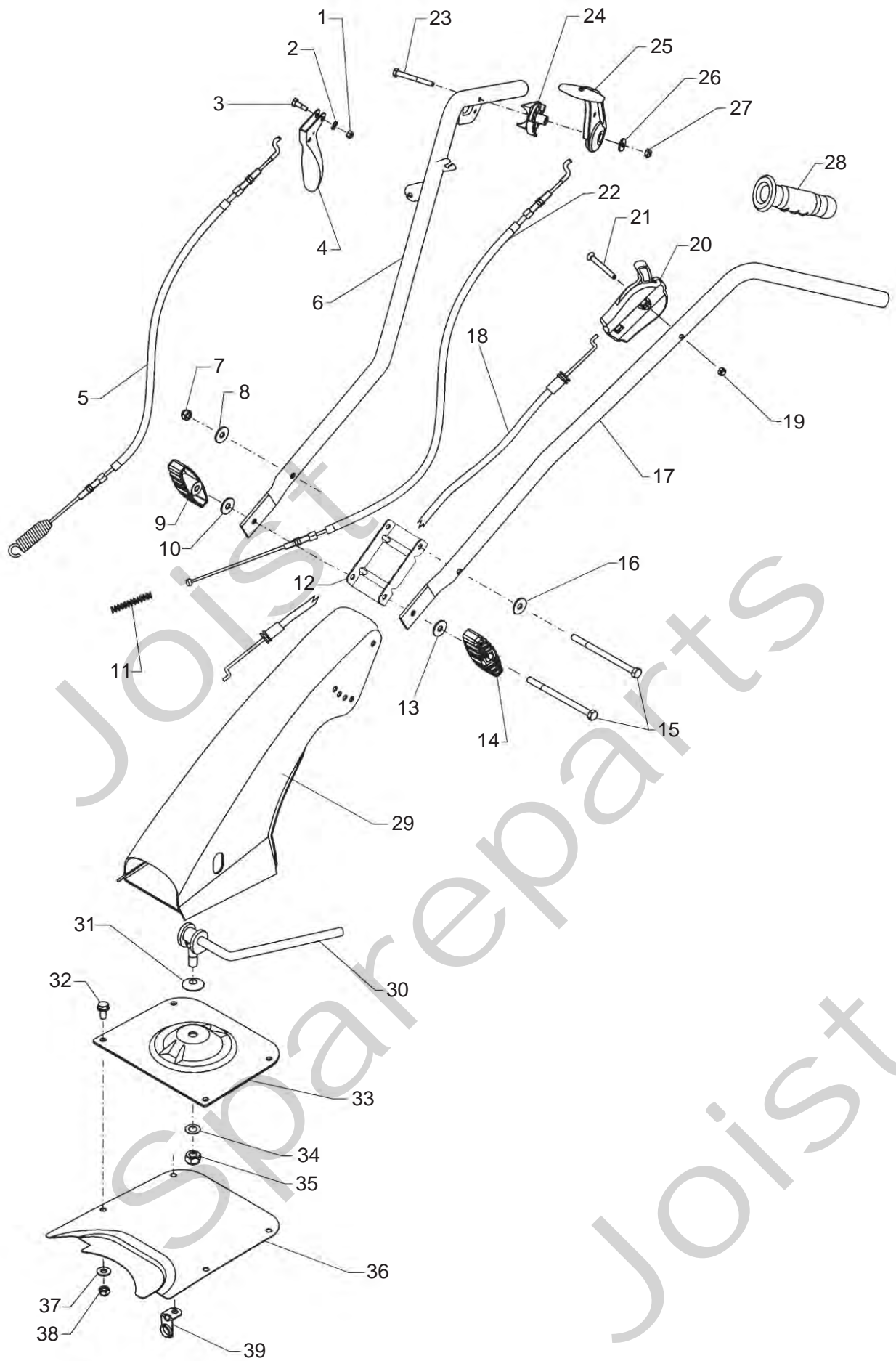


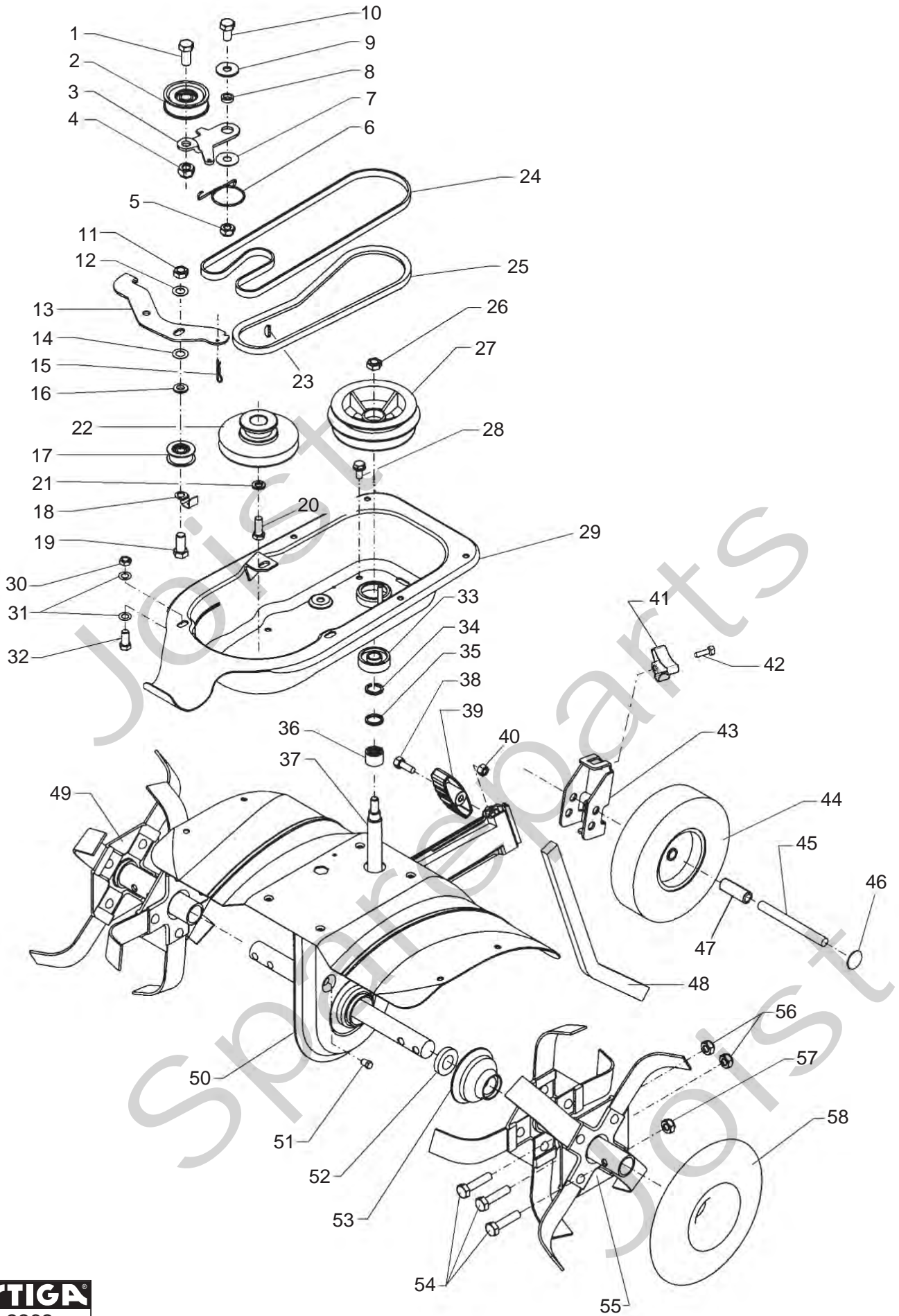
Genuine Spare Parts



Joist
Spareparts
Joist



Utgåva Issue		Bildnr Picture No		TELLUS 50R BS STYRE		TELLUS 50R BS HANDLE		Sida Page	
2007- 12		2263						222	
Pos. Fig.	Antal/Quantity				Art nr Part No	Benämning	Description	Sats Kit	Anmärkning Notes
	3120 -10								
1	1			9747-0531-02	Mutter.....	Nut			
2	1			9699-0025-02	Planbricka.....	Washer			
3	1			1483-2005-01	Skruv	Screw			
4	1			1483-2008-01	Kopplingshandtag.....	Clutch handle			
5	1			1483-2053-01	Kopplingswire.....	Clutch cable			
6	1			1483-2049-01	Styrrör- hö.....	Handle tube- RH.....			
7	1			9747-0831-02	Mutter.....	Lock nut	S		
8	1			9699-0122-02	Bricka	Washer	S		
9	1			1483-2006-01	Ratt m.mutter	Knob w.nut.....	S		
10	1			9699-0056-02	Planbricka.....	Flat washer.....	S		
11	1			1483-2019-01	Fjäder.....	Spring			
12	1			1483-2046-01	Styrförstärkning	Handle reinforcement.....	S		
13	1			9699-0056-02	Planbricka.....	Flat washer.....	S		
14	1			1483-2045-01	Ratt utan mutter	Knob w/o nut	S		
15	2			9997-0812-02	Skruv	Screw	S		
16	1			9699-0122-02	Bricka	Washer.....	S		
17	1			1483-2050-01	Styrrör- vä	Handle tube- LH			
18	1			1483-2007-01	Gaswire	Throttle cable			
19	1			9747-0631-02	Låsmutter	Lock nut			
20	1			1483-2016-01	Gasreglage.....	Throttle control			
21	1			9948-0650-16	Skruv	Screw			
22	1			1483-2051-01	Kopplingswire- back	Clutch cable- reverse.....			
23	1			9948-0655-16	Skruv	Screw			
24	1			1483-2018-01	Stöd.....	Reverse lever support			
25	1			1483-2017-01	Kopplingshandtag- back	Clutch lever- reverse			
26	1			9699-0100-02	Bricka	Washer.....			
27	1			9747-0631-02	Låsmutter	Lock nut			
28	2			1483-2009-01	Grepp.....	Grip			
29	1			1483-2042-01	Styrfäste- gul	Handle support- yellow			
30	1			1483-2044-01	Låshandtag	Handlebar lever			
31	1			1483-2073-01	Tallriksbricka.....	Cup washer			
32	4			9959-0820-16	Skruv	Screw			
33	1			1483-2043-01	Platta- gul	Plate- yellow			
34	1			9699-0121-02	Planbricka.....	Flat washer.....			
35	1			9747-1231-02	Låsmutter	Lock nut			
36	1			1483-2029-01	Platta- gul	Plate- yellow			
37	4			9699-0028-02	Planbricka.....	Flat washer.....			
38	4			9747-0831-02	Mutter.....	Lock nut			
39	1			1483-2021-01	Vinkelfäste.....	Wire support plate			
99	1			1483-2067-01	Tillbehörspåse	Accessory bag.....		Märkta S/marked S	



Utgåva Issue		Bildnr Picture No		TELLUS 50R BS TRANSMISSION		TELLUS 50R BS TRANSMISSION		Sida Page	
2007- 12		2262						224	
Pos. Fig.	Antal/Quantity				Art nr Part No	Benämning	Description	Sats Kit	Anmärkning Notes
	3120 -10								
1	1			1483-2076-01	Skruv.....	Screw.....			
2	1			1483-2004-01	Spännrulle.....	Idler pulley.....			
3	1			1483-2032-01	Spännarm.....	Tension arm.....			
4	1			9747-1231-02	Låsmutter.....	Lock nut.....			
5	1			9747-1031-02	Låsmutter.....	Lock nut.....			
6	1			1483-2033-01	Returfjäder.....	Return spring.....			
7	1			1483-2020-01	Distans.....	Spacer.....			
8	1			1483-2001-01	Bussning.....	Bushing.....			
9	1			9699-0105-02	Bricka.....	Washer.....			
10	1			9997-1020-16	Skruv.....	Screw.....			
11	1			9799-1031-02	Mutter.....	Nut.....			
12	1			9699-0035-02	Planbricka.....	Flat washer.....			
13	1			1483-2031-01	Spännarm- back.....	Tension arm- reverse.....			
14	1			9699-0035-02	Planbricka.....	Flat washer.....			
15	1			9599-0052-02	Saxsprint.....	Split pin.....			
16	1			9699-0035-02	Planbricka.....	Flat washer.....			
17	1			1483-2003-01	Spännrulle.....	Idler roller.....			
18	1			1483-2030-01	Remstyrning.....	Belt guide.....			
19	1			9997-1025-16	Skruv.....	Screw.....			
20	1			9987-5225-16	Skruv.....	Screw.....			
21	1			9699-0035-02	Planbricka.....	Flat washer.....			
22	1			1483-2002-01	Remskiva.....	Belt pulley.....			
23	1			12139100/0	Kil.....	Key.....			
24	1			1483-2036-01	Drivrem- back.....	Belt- reverse.....			
25	1			1483-2035-01	Drivrem- fram.....	Belt- forward.....			
26	1			9799-1231-02	Mutter.....	Nut.....			
27	1			1483-2025-01	Remskiva.....	Belt pulley.....			
28	4			9959-0816-16	Skruv.....	Screw.....			
29	1			1483-2040-01	Transm.hus- gul.....	Transm.housing- yellow.....			
30	3			9747-0831-02	Mutter.....	Lock nut.....			
31	6			9699-0028-02	Planbricka.....	Flat washer.....			
32	3			9997-0835-12	Skruv.....	Screw.....			
33	1			1483-2071-01	Kullager.....	Ball bearing.....			
34	1			1483-2068-01	Seegerring.....	Seeger ring.....			
35	1			1483-2000-01	Distans.....	Spacer.....			
36	1			1483-2072-01	Nållagerhus.....	Needle roller case.....			
37	1			1483-2026-01	Snäckskruv.....	Endless screw.....			
38	1			9997-0820-16	Skruv.....	Screw.....			
39	1			1483-2045-01	Ratt utan mutter.....	Knob w/o nut.....			
40	1			9747-0831-02	Mutter.....	Lock nut.....			
41	1			1483-2060-01	Låsratt.....	Locking knob.....			
42	1			9997-0825-16	Skruv.....	Screw.....			
43	1			1483-2056-01	Hjulstöd.....	Wheel support.....			
44	2			1483-2061-01	Stödhjul.....	Wheel.....		Ø 180 mm	
45	1			1483-2059-01	Hjulaxel.....	Wheel axle.....			
46	2			1483-2074-01	Låsning.....	Fixing device.....			
47	2			1483-2062-01	Hjulhylsa.....	Wheel spacer.....			
48	1			1483-2064-01	Bromssporre.....	Depth skid.....			
49	1			1483-2023-01	Rotor kpl- hö.....	Rotor assy- RH.....			
50	1			1483-2039-01	Växelhus kpl- gul.....	Gear housing- yellow.....			
51	1			1483-2075-01	Lock.....	Cap.....			
52	2			1483-2070-01	Tätningring.....	Seal ring.....			
53	2			1483-2010-01	Dammskydd.....	Dust protection.....			
54	6			9997-1050-16	Skruv.....	Screw.....			
55	1			1483-2024-01	Rotor kpl- vä.....	Rotor assy- LH.....			
56	4			9747-1031-02	Låsmutter.....	Lock nut.....			
57	2			9747-1031-02	Låsmutter.....	Lock nut.....			
58	2			1483-2022-01	Sidotalrik.....	Side disc.....			