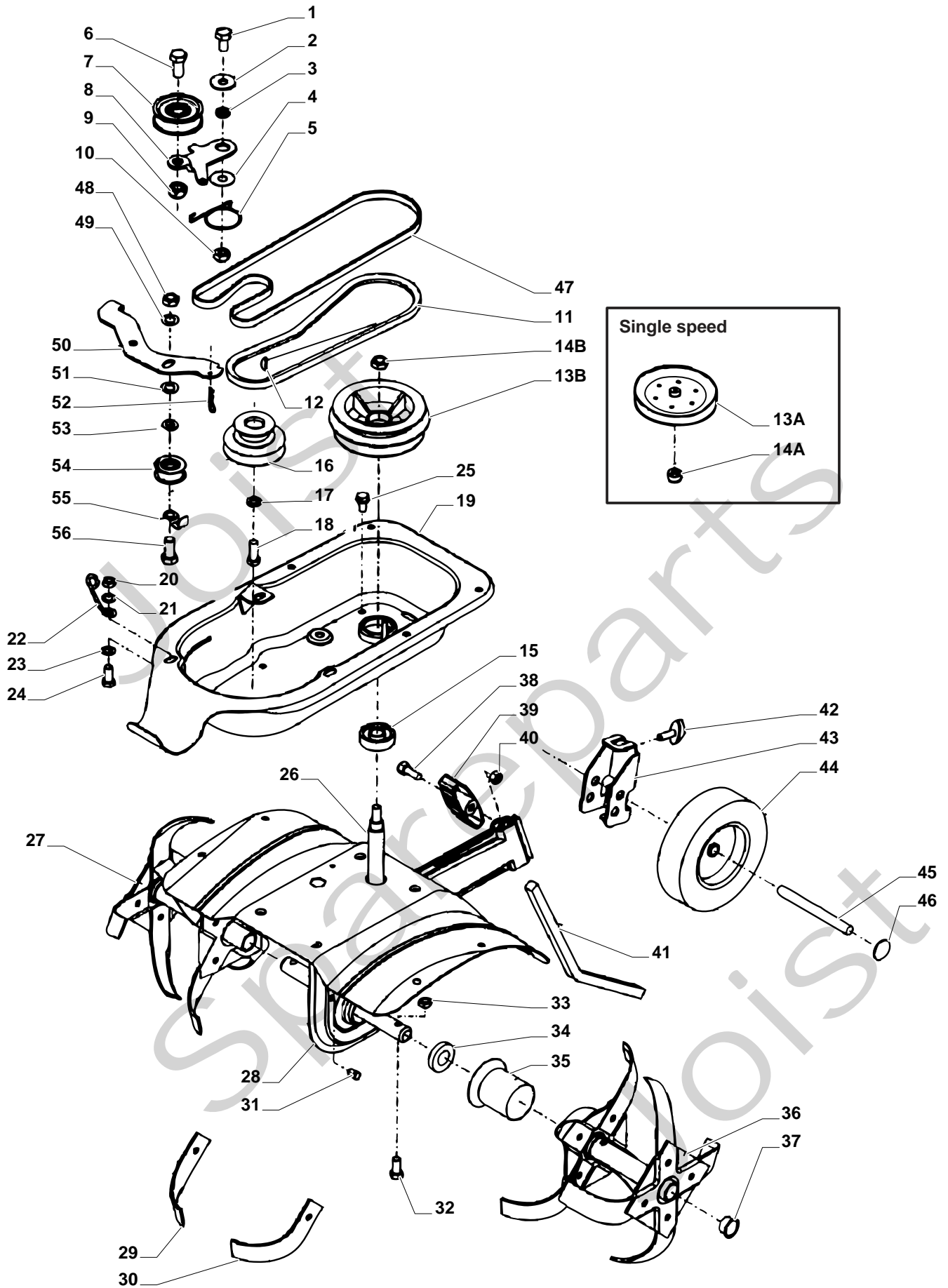


Genuine Spare Parts

SILEX 40 G

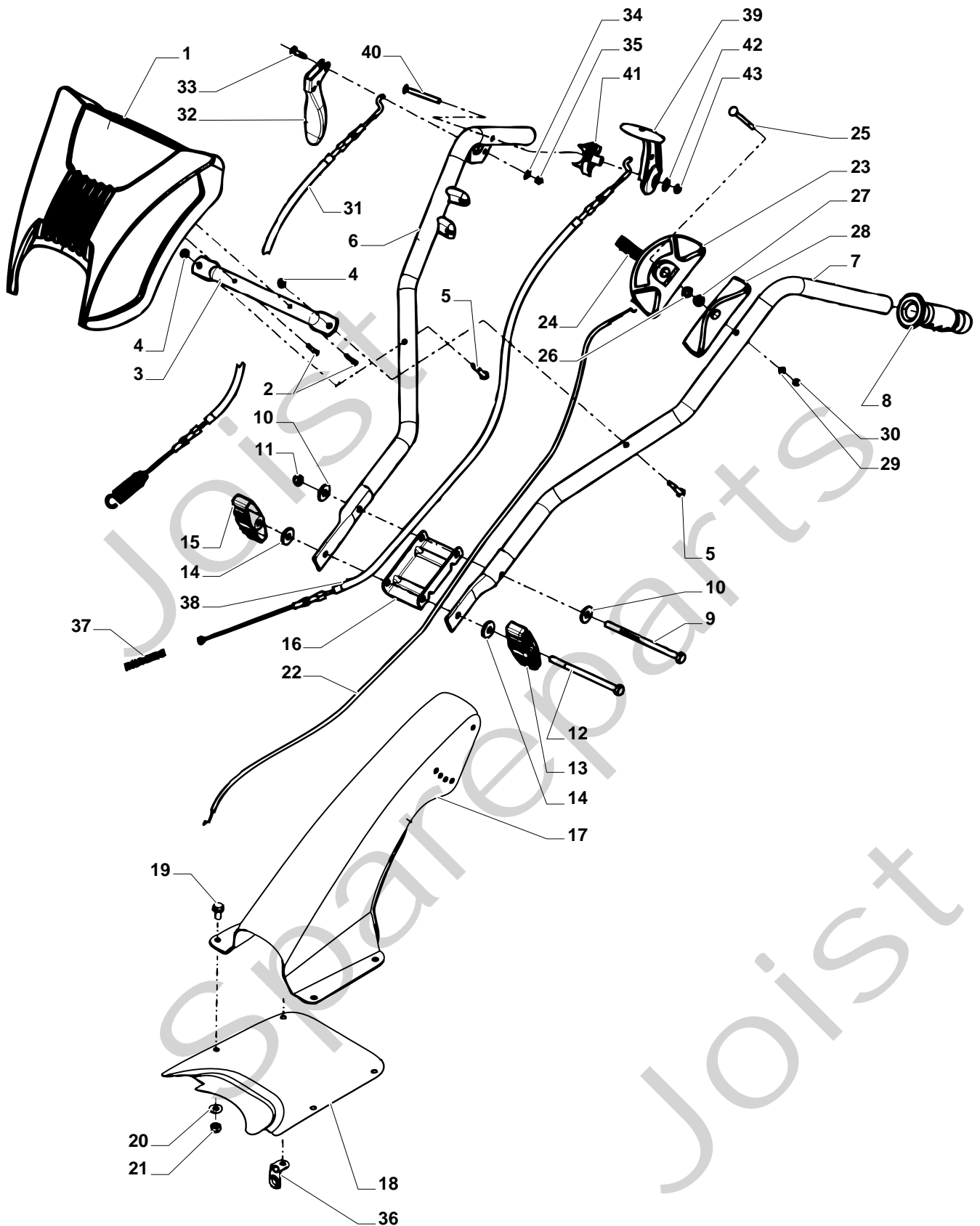






SILEX 40 G - Model Year 2009

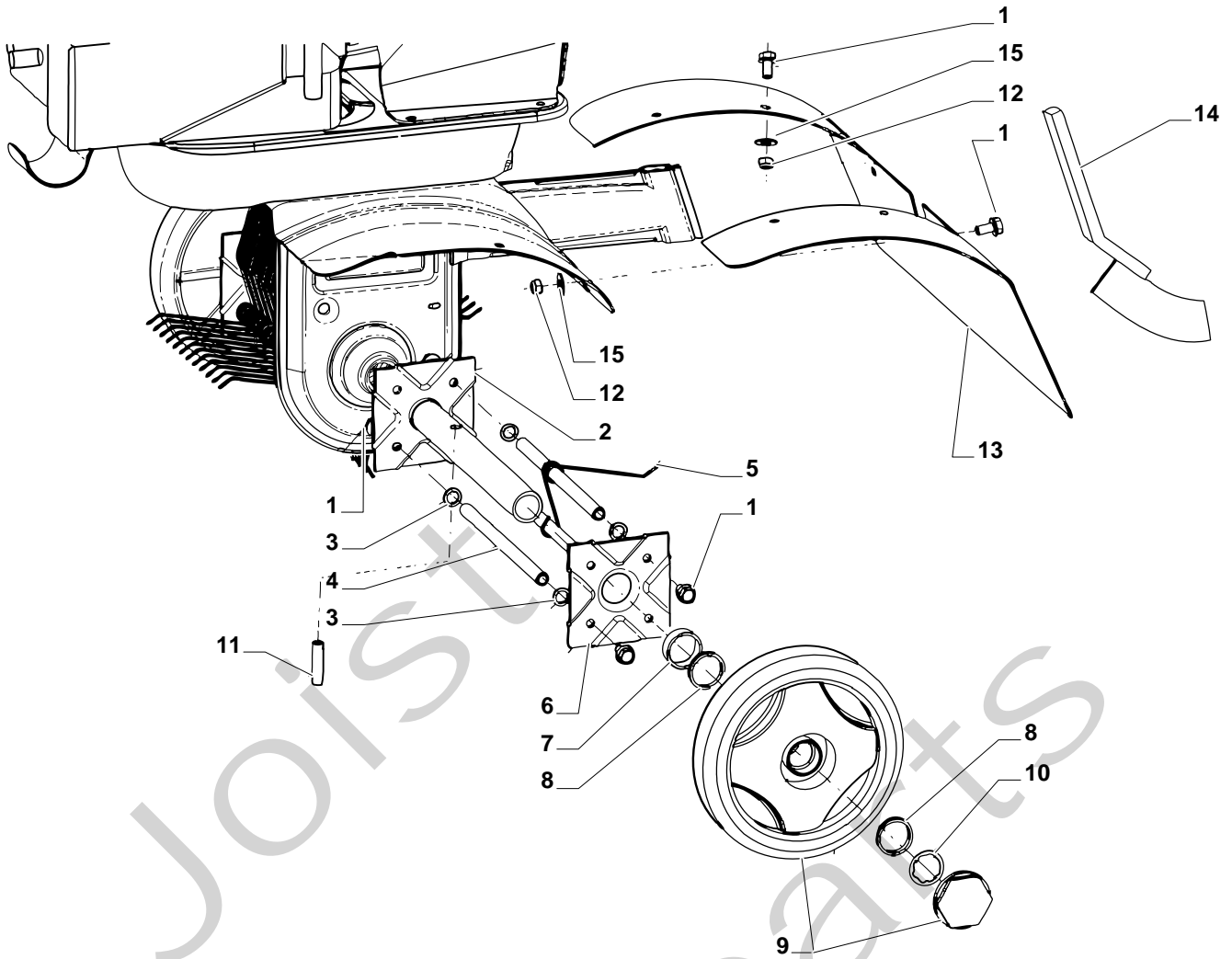
Pos. Fig.	Antal Quantity	Art No Part No	Benämning	Description	Anmärkning Notes
1	1	9997-1020-16	Skruv	Screw	
2	1	9699-0105-02	Bricka	Washer	
3	1	1483-2001-01	Bussning	Bush	
4	1	1483-2020-01	Distans	Spacer	
5	1	1483-2033-01	Returfjäder	Spring	
6	1	1483-2076-01	Skruv	Screw	
7	1	1483-2004-01	Spännrulle	Pulley	
8	1	1483-2032-01	Spännarm	Lever	
9	1	9747-1231-02	Mutter	Nut	
10	1	9747-1031-02	Mutter	Nut	
11	1	1483-2034-01	Drivrem	Belt	
12	1	12139100/0	Kil	Key	
12	1	1483-2140-01	Kil	Key (40R-G)	
13B	1	1483-2025-01	Remskiva	Pulley (50R-B)	
13A	1	1483-2028-01	Remskiva	Pulley (50-G / 50-H)	
14A	1	1483-2027-01	Distans	Spacer (50-G / 50-H)	
14B	1	9799-1231-02	Mutter	Nut	
15	1	1483-2071-01	Kullager	Bearing	
16	1	1483-2065-01	Remskiva	Pulley	
17	1	9699-0035-02	Planbricka	Washer	
18	1	9987-5225-16	Skruv	Screw	
19	1	1483-2038-01	Transm.hus-gul	Transm.Housing-Yellow	
20	1	9747-0831-02	Mutter	Nut	
21	1	9699-0028-02	Planbricka	Washer	
22	1	1482-2139-01	Kabelhållare	Support	
23	1	9699-0028-02	Planbricka	Washer	
24	1	9997-0835-12	Skruv	Screw	
24	1	9997-0840-16	Skruv	Screw L = 40 Mm	
25	4	9959-0816-16	Skruv	Screw	
26	1	1483-2011-01	Snäckskruv	Endless Screw	
27	1	1483-2055-01	Knivrotor kpl-hö	Right Tine Assy	
28	1	1483-2037-01	Växelhus-gul	Transm.Housing-Yellow	
29	8	1483-2014-01	Kniv-vä	Left Tine	
30	8	1483-2013-01	Kniv-hö	Right Tine	
31	1	1483-2075-01	Lock	Cap	
32	2	9997-0835-12	Skruv	Screw	
33	2	9747-0831-02	Mutter	Nut	
34	2	1483-2069-01	Tätningring	Oil Seal	
35	2	1483-2012-01	Dammskydd	Dust Cover	
36	1	1483-2054-01	Knivrotor kpl-vä	Left Tine Assy	
37	2	1483-2015-01	Plastlock	Cap	
38	1	9997-0820-16	Skruv	Screw	
39	1	1483-2045-01	Ratt utan mutter	Knob	
40	1	9747-0831-02	Mutter	Nut	
41	1	1483-2063-01	Bromssporre	Lever	
42	1	1483-2077-01	Skruv	Screw	
43	1	1483-2056-01	Hjulstöd	Support	
44	2	1483-2058-01	Stödhjul	Wheel	
45	1	1483-2057-01	Hjulaxel	Axle, Wheels	
46	2	1483-2074-01	Låsning	Fastener	
47	1	1483-2036-01	Drive belt	Belt (50R-B)	
48	1	9799-1031-02	Mutter	Nut	
49	1	9699-0035-02	Planbricka	Washer	
50	1	1483-2031-01	Spännarm-back	Lever (50R-B)	
51	1	9699-0035-02	Planbricka	Washer	
52	1	9599-0052-02	Saxsprint	Cotter Pin	
53	1	9699-0035-02	Planbricka	Washer	
54	1	1483-2003-01	Spännrulle	Roll (50R-B)	
55	1	1483-2030-01	Remstyrning	Belt Guide (50R-B)	
56	1	9997-1025-16	Skruv	Screw	





SILEX 40 G - Model Year 2009

Pos. Fig.	Antal Quantity	Art No Part No	Benämning	Description	Anmärkning Notes
1	1	1483-2182-01	Panel-gul	Mask, Yellow	
2	2	1483-2200-01	Skruv	Screw	
3	1	1483-2180-01	Panelstag	Bracket	
4	2	9747-0631-02	Mutter	Nut	
5	2	9997-0635-12	Skruv	Screw	
6	2	1483-2178-01	Styrrör-hö	Handle (50R-B)	
6	1	1483-2179-01	Styrrör-hö	Handle (50-G / 50-H)	
7	1	1483-2177-01	Styrrör-vä	Handle	
8	2	1483-2079-01	Handtagsgrepp	Handgrip	
9	1	9997-0813-02	Skruv	Screw	
10	2	9699-0122-02	Bricka	Washer	
11	1	9747-0831-02	Mutter	Nut	
12	1	9997-0812-02	Skruv	Screw	
13	1	1483-2045-01	Ratt utan mutter	Knob	
14	2	9699-0056-02	Planbricka	Washer	
15	1	1483-2006-01	Ratt m.mutter	Knob	
16	1	1483-2046-01	Reduktion	Stiffening	
17	1	1483-2041-01	Styrfäste-gul	Support Yellow	
18	1	1483-2029-01	Platta-gul	Plate Yellow	
19	4	9959-0820-16	Skruv	Screw	
20	4	9699-0028-02	Planbricka	Washer	
21	4	9747-0831-02	Mutter	Nut	
22	1	1483-2181-01	Gaswire	Throttle Cable (75-G)	
23	1	322981740/1	Gasreglage	Accelerator	
24	1	81007279/1	Gasarm	Lever, Throttle	
25	1	9898-0855-12	Skruv	Screw	
26	1	9699-0035-02	Planbricka	Washer	
27	1	12508100/0	Låsbricka	Washer	
28	1	22171006/0	Distans	Spacer	
29	1	9699-0024-02	Planbricka	Washer	
30	1	9799-0531-02	Mutter	Nut	
31	1	1483-2053-01	Kopplingswire	Cable	
32	1	1483-2008-01	Kopplingshandtag	Handle	
33	1	1483-2005-01	Skruv	Pin	
34	1	9699-0025-02	Planbricka	Washer	
35	1	9747-0531-02	Mutter	Nut	
36	1	1483-2021-01	Vinkelfäste	Support	
37	1	1483-2019-01	Fjäder	Spring (50R-B)	
38	1	1483-2051-01	Kopplingswire-back	Cable (50R-B)	
39	1	1483-2017-01	Kopplingshandtag-back	Lever	
40	1	9948-0655-16	Skruv	Screw	
41	1	1483-2018-01	Stöd	Support	
42	1	9699-0100-02	Bricka	Washer	
43	1	9747-0631-02	Mutter	Nut	

SILEX 40 G - Model Year 2009


Pos. Fig.	Antal Quantity	Art No Part No	Benämning	Description	Anmärkning Notes
1	22	9959-0816-16	Skruv	Screw	
2	2	1483-2304-01	Fäste	Clamp	
3	16	9699-0121-02	Planbricka	Washer	
4	8	1483-2305-01	Axel	Shaft	
5	96	1483-2307-01	Fjäder	Spring	
6	2	1483-2300-01	Fläns	Flange	
7	2	1483-2306-01	Distansring	Spacer	
8	4	1483-2297-01	Distans	Spacer	
9	2	1483-2308-01	Hjul	Wheel	
10	2	1483-2322-01	Låsbricka	Crown Fastener	
11	2	1483-2323-01	Sprint	Pin	
12	6	9747-0831-02	Mutter	Nut	
13	1	1483-2321-01	Skyddsplåt	Cover	
14	1	1483-2319-01	Släpsko	Rod	
15	6	9699-0028-02	Planbricka	Washer	