

# Genuine Spare Parts

www.stiga.com

## SILEX 360 G Model Year 2011

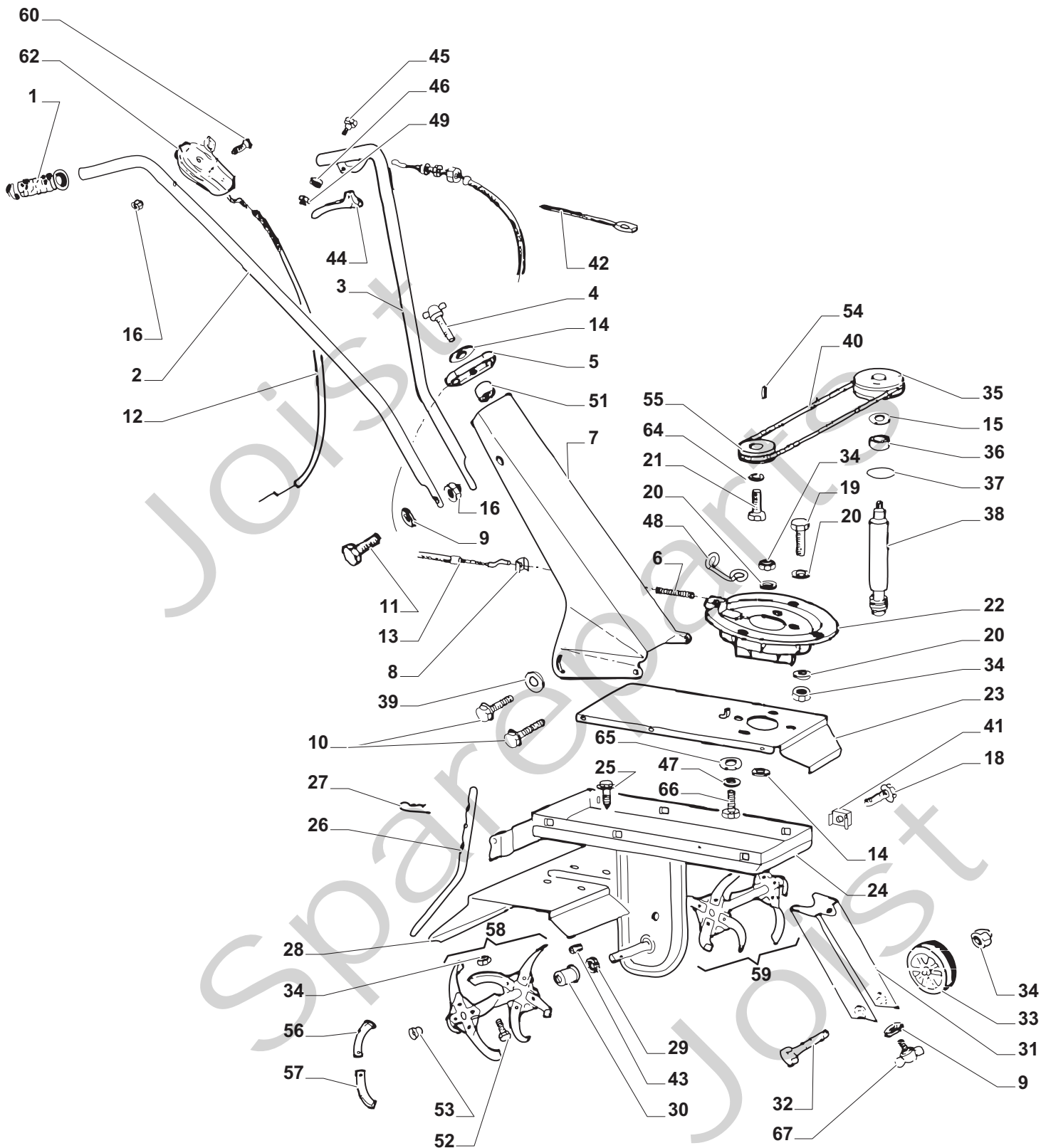
- Use GLOBAL GARDEN PRODUCT Genuine Spare Parts specified in the parts list for repair and/or replacement.
- The contents described in the parts list may change due to improvement.
- The drawings of the spare parts are only indicative and might not represent the part in question exactly.
- The indications "right" - "left" - "front" - "rear" refer to the position of the operator when using the machine.
- When placing orders of parts for repair and/or replacement, make sure that the illustrated parts list is the one applying to the machine's year of manufacture, as shown on the identification plate attached to the machine.

COPYRIGHT by GLOBAL GARDEN PRODUCTS

All rights reserved. No part of this material may be reproduced or transmitted, in any form or by any means, electronic or mechanical, including photocopying, recording or by any information storage and retrieval system, without permission in writing from GLOBAL GARDEN PRODUCTS.



## SILEX 360 G



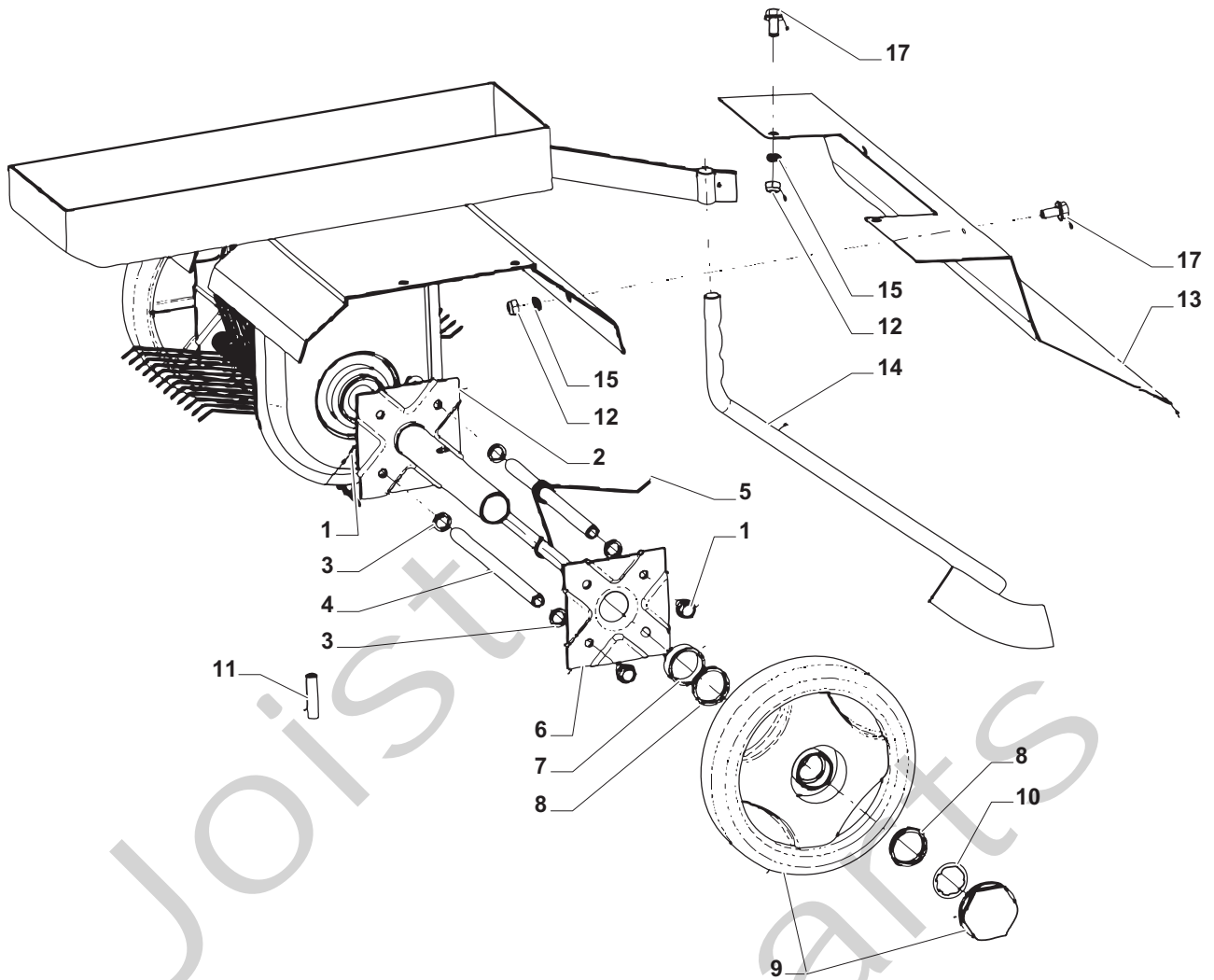


## SILEX 360 G

| Pos. Fig. | Antal Quantity | Art No Part No | Benämning          | Description              | Anmärkning Notes |
|-----------|----------------|----------------|--------------------|--------------------------|------------------|
| 1         | 2              | 1483-2125-01   | Handtagsgrepp      | Handgrip                 |                  |
| 2         | 1              | 1483-2127-01   | Styrrör-hö         | Handle                   |                  |
| 3         | 1              | 1483-2128-01   | Styrrör-vä         | Handle                   |                  |
| 4         | 1              | 1483-2077-01   | Skruv              | Screw                    |                  |
| 5         | 1              | 1483-2129-01   | Fläns              | Flange                   |                  |
| 6         | 1              | 1483-2133-01   | Fjäder             | Spring                   |                  |
| 7         | 1              | 1483-2130-01   | Styrfäste-gul      | Support Yellow           |                  |
| 8         | 1              | 1483-2134-01   | Bleck-fjäderstopp  | Plate                    |                  |
| 9         | 5              | 9699-0100-02   | Bricka             | Washer                   |                  |
| 10        | 4              | 9959-0616-16   | Skruv              | Screw                    |                  |
| 11        | 2              | 9997-0625-16   | Skruv              | Screw                    |                  |
| 12        | 1              | 1483-2109-01   | Reglagewire        | Wire                     |                  |
| 13        | 1              | 1483-2126-01   | Reglagewire        | Wire                     |                  |
| 14        | 4              | 9699-0122-02   | Bricka             | Washer                   |                  |
| 15        | 1              | 1483-2122-01   | Distans            | Spacer                   |                  |
| 16        | 3              | 9747-0631-02   | Mutter             | Nut                      |                  |
| 18        | 2              | 9959-0612-16   | Skruv              | Screw                    |                  |
| 19        | 3              | 9997-0840-16   | Skruv              | Screw L = 40 Mm          |                  |
| 20        | 10             | 9699-0028-02   | Planbricka         | Washer                   |                  |
| 21        | 1              | 9987-5225-16   | Skruv              | Screw                    |                  |
| 22        | 1              | 1483-2135-01   | Fläns-motorfäste   | Flange                   |                  |
| 23        | 1              | 1483-2120-01   | Lock               | Cover                    |                  |
| 24        | 1              | 1483-2118-01   | Växelhus-gul       | Transmission Unit Yellow |                  |
| 25        | 4              | 9847-8216-16   | Skruv              | Screw                    |                  |
| 26        | 1              | 1483-2121-01   | Bromssporre        | Lever                    |                  |
| 27        | 1              | 9598-0003-02   | Låsnål             | Spring pin               |                  |
| 28        | 1              | 1483-2119-01   | Skyddsplåt-gul     | Guard Yellow             |                  |
| 29        | 2              | 1483-2069-01   | Tätningring        | Oil Seal                 |                  |
| 30        | 2              | 1483-2012-01   | Dammskydd          | Dust Cover               |                  |
| 31        | 1              | 1483-2124-01   | Stödhjulsfäste-gul | Support Yellow           |                  |
| 32        | 1              | 9997-0855-12   | Skruv              | Screw                    |                  |
| 33        | 1              | 1483-2123-01   | Stödhjul           | Wheel                    |                  |
| 34        | 10             | 9747-0831-02   | Mutter             | Nut                      |                  |
| 35        | 1              | 1483-2028-01   | Remskiva           | Pulley (50-G / 50-H)     |                  |
| 36        | 1              | 1483-2071-01   | Kullager           | Bearing                  |                  |
| 37        | 1              | 1483-2189-01   | O-ring             | O Ring                   |                  |
| 38        | 1              | 1483-2011-01   | Snäckskruv         | Endless screw            |                  |
| 39        | 2              | 9699-0085-02   | Planbricka         | Washer                   |                  |
| 40        | 1              | 1483-2137-01   | Drivrem            | Belt                     |                  |
| 41        | 7              | 1134-3643-01   | Korgmutter         | Nut                      |                  |
| 42        | 1              | 9579-0003-00   | Buntband           | Fair Led                 |                  |
| 43        | 1              | 1483-2075-01   | Lock               | Cap                      |                  |
| 44        | 1              | 1483-2008-01   | Kopplingshandtag   | Handle                   |                  |
| 45        | 1              | 1483-2005-01   | Skruv              | Pin                      |                  |
| 46        | 1              | 9699-0025-02   | Planbricka         | Washer                   |                  |
| 47        | 1              | 1483-2020-01   | Distans            | Spacer                   |                  |
| 48        | 1              | 1483-2139-01   | Kabelhållare       | Support                  |                  |
| 49        | 1              | 9747-0531-02   | Mutter             | Nut                      |                  |
| 51        | 1              | 1483-2108-01   | Bussning           | Spacer                   |                  |
| 52        | 2              | 9997-0835-12   | Skruv              | Screw                    |                  |
| 53        | 2              | 1483-2015-01   | Plastlock          | Cap                      |                  |
| 54        | 1              | 12139100/0     | Kil                | Key                      |                  |
| 55        | 1              | 1483-2136-01   | Motorremskiva      | Pulley                   |                  |
| 56        | 8              | 1483-2013-01   | Kniv-hö            | Right Tine               |                  |
| 57        | 8              | 1483-2014-01   | Kniv-vä            | Left Tine                |                  |
| 58        | 1              | 1483-2132-01   | Rotor kpl-hö       | Right Tine Assy          |                  |
| 59        | 1              | 1483-2131-01   | Rotor kpl-vä       | Left Tine Assy           |                  |
| 60        | 1              | 9948-0650-16   | Skruv              | Screw                    |                  |
| 62        | 1              | 1483-2143-01   | Gasreglage         | Accelerator              |                  |



| Pos. Fig. | Antal Quantity | Art No Part No | Benämning   | Description | Anmärkning Notes |
|-----------|----------------|----------------|-------------|-------------|------------------|
| 64        | 1              | 9699-0035-02   | Planbricka  | Washer      |                  |
| 65        | 4              | 1483-2138-01   | Plastbricka | Washer      |                  |
| 66        | 4              | 9997-0825-16   | Skruv       | Screw       |                  |
| 67        | 1              | 1483-2199-01   | Skruv       | Knob        |                  |

**SILEX 360 G**


| Pos. Fig. | Antal Quantity | Art No Part No | Benämning   | Description    | Anmärkning Notes |
|-----------|----------------|----------------|-------------|----------------|------------------|
| 1         | 16             | 9959-0816-16   | Skruv       | Screw          |                  |
| 2         | 2              | 1483-2304-01   | Fäste       | Clamp          |                  |
| 3         | 16             | 9699-0121-02   | Planbricka  | Washer         |                  |
| 4         | 8              | 1483-2305-01   | Axel        | Shaft          |                  |
| 5         | 96             | 1483-2307-01   | Fjäder      | Spring         |                  |
| 6         | 2              | 1483-2300-01   | Fläns       | Flange         |                  |
| 7         | 2              | 1483-2306-01   | Distansring | Spacer         |                  |
| 8         | 4              | 1483-2297-01   | Distans     | Spacer         |                  |
| 9         | 2              | 1483-2308-01   | Hjul        | Wheel          |                  |
| 10        | 2              | 1483-2322-01   | Låsbricka   | Crown Fastener |                  |
| 11        | 2              | 1483-2323-01   | Sprint      | Pin            |                  |
| 12        | 4              | 9747-0631-02   | Mutter      | Nut            |                  |
| 13        | 1              | 1483-2299-01   | Skyddsplåt  | Cover          |                  |
| 14        | 1              | 1483-2302-01   | Släpsko     | Rod            |                  |
| 15        | 4              | 9699-0100-02   | Bricka      | Washer         |                  |
| 17        | 4              | 9959-0616-16   | Skruv       | Screw          |                  |