

Genuine Spare Parts

www.stiga.com

SILEX 50 RB Model Year 2011

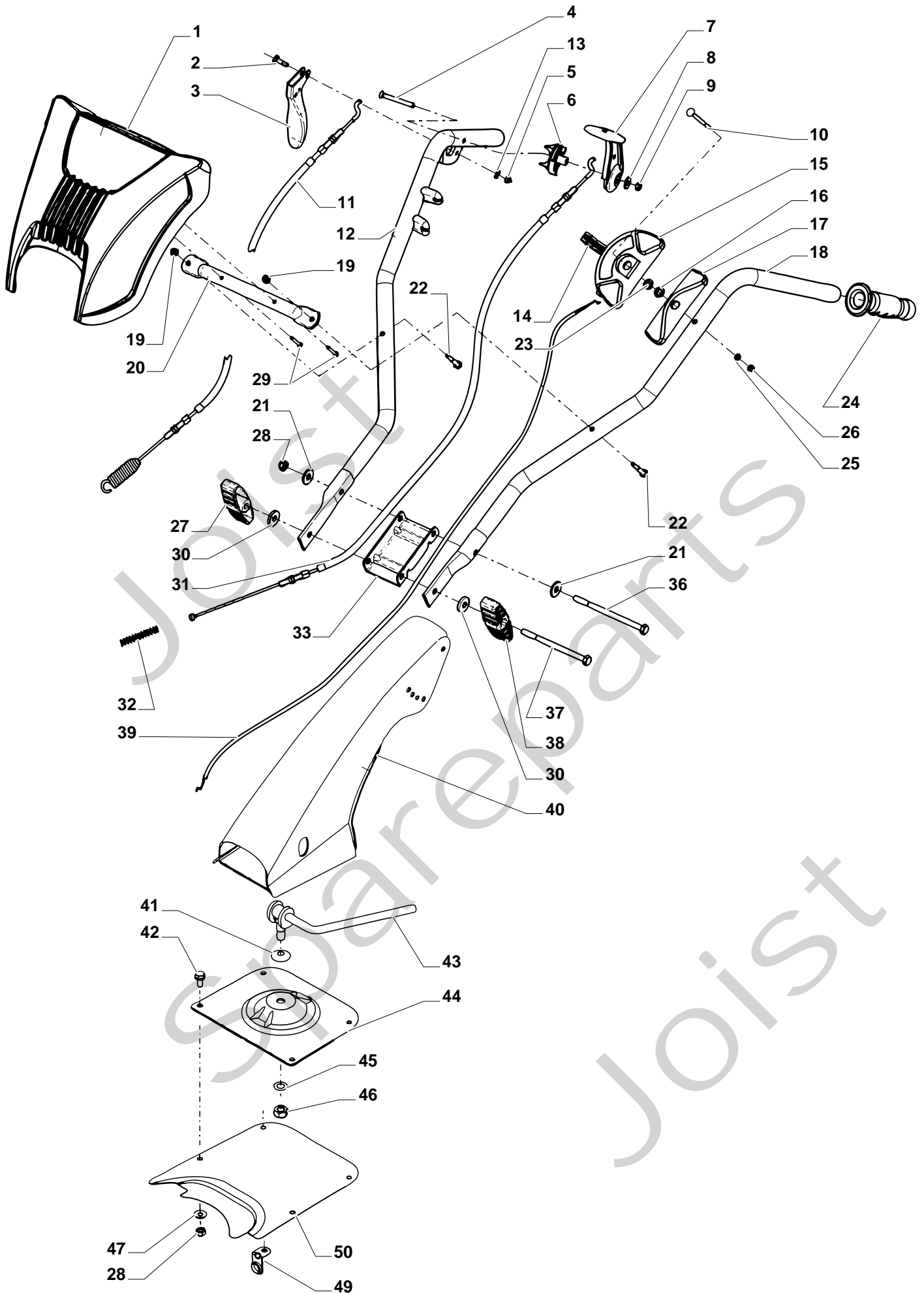
- Use GLOBAL GARDEN PRODUCT Genuine Spare Parts specified in the parts list for repair and/or replacement.
- The contents described in the parts list may change due to improvement.
- The drawings of the spare parts are only indicative and might not represent the part in question exactly.
- The indications "right" - "left" - "front" - "rear" refer to the position of the operator when using the machine.
- When placing orders of parts for repair and/or replacement, make sure that the illustrated parts list is the one applying to the machine's year of manufacture, as shown on the identification plate attached to the machine.

COPYRIGHT by GLOBAL GARDEN PRODUCTS

All rights reserved. No part of this material may be reproduced or transmitted, in any form or by any means, electronic or mechanical, including photocopying, recording or by any information storage and retrieval system, without permission in writing from GLOBAL GARDEN PRODUCTS.

The STIGA logo is located in the bottom right corner of the page. It consists of the word "STIGA" in a bold, white, sans-serif font, with a registered trademark symbol (®) to its upper right. The text is set against a black rectangular background.

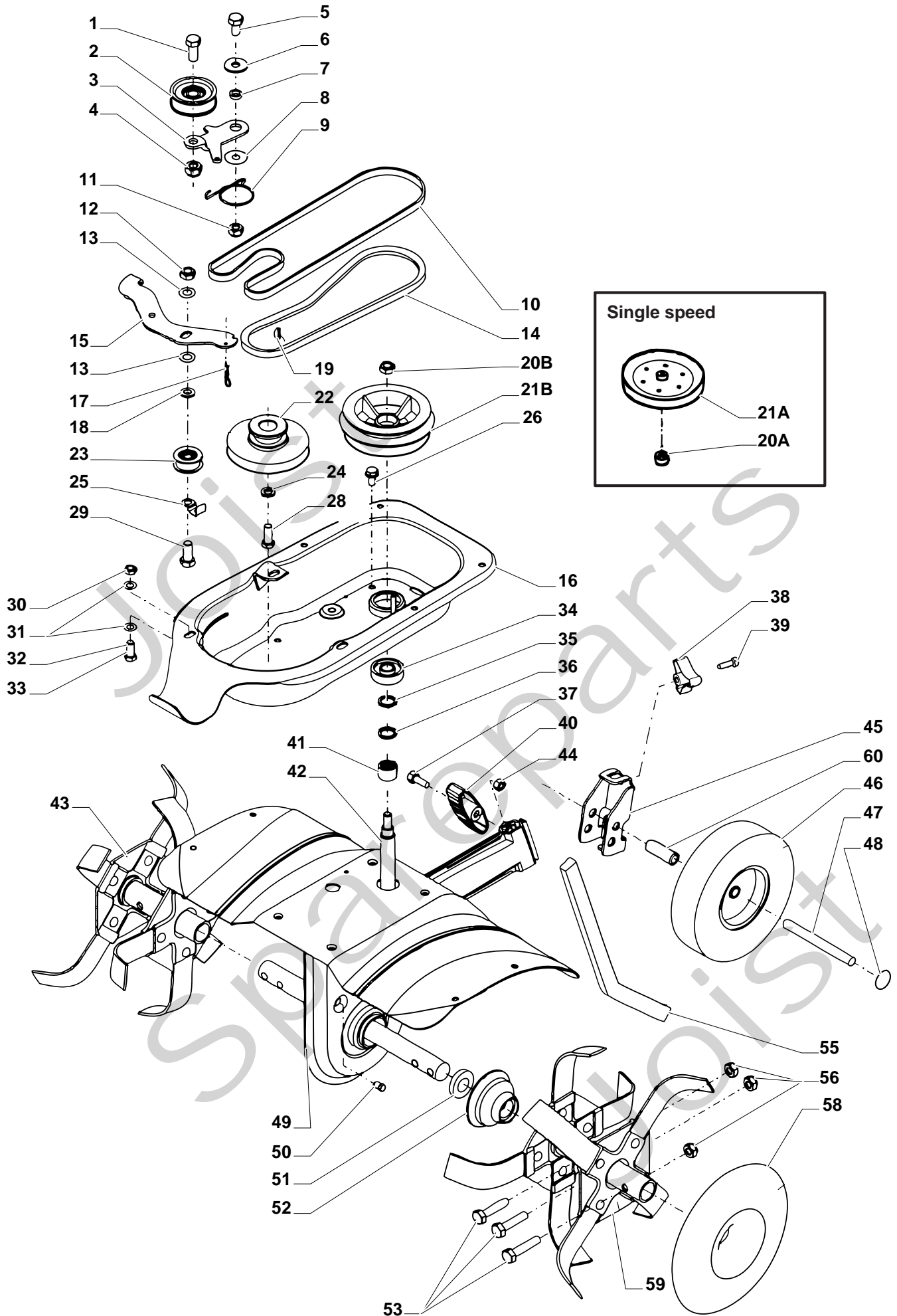
SILEX 50 RB





SILEX 50 RB

Pos. Fig.	Antal Quantity	Art No Part No	Benämning	Description	Anmärkning Notes
1	1	1483-2182-01	Frontkåpa-gul	Mask, Yellow	
1	1	1483-2182-02	Frontkåpa-röd	Mask, Red	
2	1	1483-2005-01	Stift	Pin	
3	1	1483-2008-01	Handtag	Handle	
4	1	9948-0655-16	Skruv	Screw (50R-B)	
5	1	9747-0531-02	Mutter	Nut	
6	1	1483-2018-01	Stöd	Support (75R-B / 75R-H)	
7	1	1483-2017-01	Spak	Lever (75R-B / 75R-H)	
8	1	9699-0100-02	Bricka	Washer (50R-B)	
9	1	9747-0631-02	Mutter (50R-B)	Nut (50R-B)	
10	1	9898-0855-12	Skruv	Screw	
11	1	1483-2053-01	Kopplingswire	Cable	
12	1	1483-2178-01	Styre	Handle (50R-B)	
13	1	9699-0025-02	Bricka	Washer	
14	1	81007279/1	Gasarm	Lever, Throttle	
15	1	322981740/1	Gasreglage	Accelerator	
16	1	12508100/0	Fjäderbricka	Spring Washer	
17	1	22171006/0	Distans	Spacer	
18	1	1483-2177-01	Styre	Handle	
19	2	9747-0631-02	Mutter (50R-B)	Nut (50R-B)	
20	1	1483-2180-01	Fäste	Bracket	
21	2	9699-0122-02	Bricka	Washer	
22	2	9997-0635-12	Skruv	Screw	
23	1	9699-0035-02	Bricka	Washer (50R-B)	
24	2	1483-2079-01	Handtagsgrepp	Handgrip	
25	1	9699-0024-02	Bricka	Washer	
26	1	9799-0531-02	Mutter	Nut	
27	1	1483-2006-01	Knopp	Knob	
28	5	9747-0831-02	Mutter	Nut	
29	2	1483-2200-01	Skruv	Screw	
30	2	9699-0056-02	Bricka	Washer	
31	1	1483-2051-01	Kopplingswire-back	Cable (50R-B)	
32	1	1483-2019-01	Fjäder	Spring (50R-B)	
33	1	1483-2046-01	Trådbygel	Stiffening	
36	1	9997-0813-02	Skruv	Screw	
37	1	9997-0812-02	Skruv	Screw	
38	1	1483-2045-01	Knopp	Knob	
39	1	1483-2181-01	Gaswire	Throttle Cable (75-G)	
40	1	1483-2042-01	Stöd-gul	Support Yellow	
40	1	1483-2042-02	Support	Support Red	
41	3	1483-2073-01	Bricka	Washer	
42	4	9959-0820-16	Skruv	Screw	
43	1	1483-2044-01	Spak	Lever	
44	1	1483-2043-01	platta-gul	Plate Yellow	
44	1	1483-2043-02	platta-röd	Plate Red	
45	1	9699-0121-02	Bricka	Washer	
46	1	9747-1231-02	Mutter (75R-B / 75R-H)	Nut (75R-B / 75R-H)	
47	4	9699-0028-02	Bricka	Washer	
49	1	1483-2021-01	Stöd	Support (40R-G)	
50	1	1483-2029-01	platta-gul	Plate Yellow	
50	1	1483-2029-02	platta-röd	Plate Red	

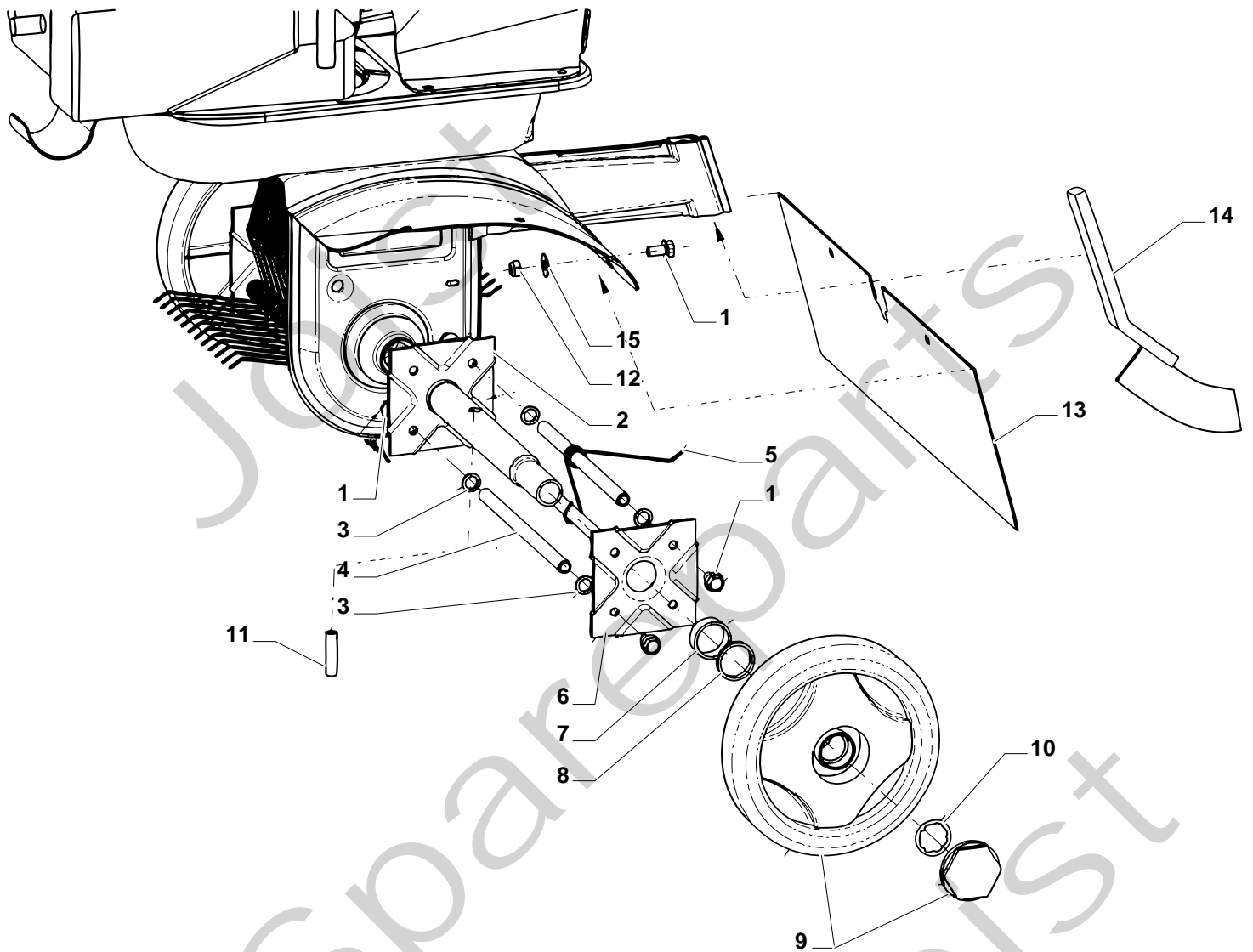
SILEX 50 RB




SILEX 50 RB

Pos. Fig.	Antal Quantity	Art No Part No	Benämning	Description	Anmärkning Notes
1	1	1483-2076-01	Skruv	Screw	
2	1	1483-2004-01	Remskiva	Pulley	
3	1	1483-2032-01	Spak	Lever	
4	1	9747-1231-02	Mutter (75R-B / 75R-H)	Nut (75R-B / 75R-H)	
5	1	9997-1020-16	Skruv	Screw	
6	1	9699-0105-02	Bricka	Washer	
7	1	1483-2001-01	Bussning	Bush	
8	1	1483-2020-01	Distans	Spacer (75R-B / 75R-H)	
9	1	1483-2033-01	Fjäder	Spring	
10	1	1483-2036-01	Drive belt	Belt (50R-B)	
11	1	9747-1031-02	Mutter	Nut	
12	2	9799-1031-02	Mutter (50R-B)	Nut (50R-B)	
13	2	9699-0035-02	Bricka	Washer (50R-B)	
14	1	1483-2035-01	Drivrem-fram	Belt	
15	1	1483-2031-01	Spak	Lever (50R-B)	
16	1	1483-2040-01	Transm.hus-gul	Transm.housing-yellow	
16	1	1483-2040-02	Transm.hus-röd	Transm.housing-red	
17	1	9599-0052-02	Stift	Pin	
18	2	9699-0035-02	Bricka	Washer (50R-B)	
19	1	12139100/0	Svånghjul Key	Feather, Crankshaft Ø 22.2	
20B	1	12295200/0	Mutter (50R-B)	Nut (50R-B)	
21B	1	1483-2025-01	Remskiva	Pulley (50R-B)	
22	1	1483-2002-01	Remskiva	Pulley	
23	2	1483-2003-01	Stift	Roll (50R-B)	
24	1	9699-0035-02	Bricka	Washer (50R-B)	
25	1	1483-2030-01	Remstyrning	Guard (40R-G)	
26	4	9959-0816-16	Skruv	Screw	
28	1	9987-5225-16	Skruv	Screw	
29	2	9997-1025-16	Skruv	Screw (50R-B)	
30	4	9747-0831-02	Mutter	Nut	
31	6	9699-0028-02	Bricka	Washer	
32	1	9997-0835-12	Skruv	Screw L=35 mm (50-H / 50R-B)	
33	2	9997-0860-16	Skruv	Screw L=60 mm (50R-B)	
34	1	1483-2071-01	Kullager	Bearing	
35	1	1483-2068-01	Seeger	Seeger	
36	1	1483-2000-01	Distans	Spacer	
37	1	9997-0820-16	Skruv	Screw	
38	1	1483-2060-01	Knopp	Knob	
39	1	9997-0825-16	Skruv	Screw	
40	1	1483-2045-01	Knopp	Knob	
41	1	1483-2072-01	Nållager	Needle Bearing	
42	1	1483-2026-01	Skruvhylsa	Endless screw	
43	1	1483-2023-01	Rotor kpl-yttre, hö	Right Tine Assy	
44	1	9747-0831-02	Mutter	Nut	
45	1	1483-2056-01	Stöd	Support	
46	2	1483-2061-01	Hjul	Wheel	
47	1	1483-2059-01	Hjulaxel	Axle, Wheels	
48	2	1483-2074-01	Låsning	Fastener	
49	1	1483-2039-01	Växelhus kpl-gul	Transm.housing-yellow	
49	1	1483-2039-02	Växelhus kpl-röd	Transm.housing-red	
50	1	1483-2075-01	Lock	Cap	
51	2	1483-2070-01	Tätningring	Oil Seal	
52	2	1483-2010-01	Dammskydd	Dust Cover	
53	6	9997-1050-16	Skruv	Screw	
55	1	1483-2064-01	Spak	Lever	
56	6	9747-1031-02	Mutter	Nut	
58	2	1483-2022-01	Sidotallrik	Disc	
59	1	1483-2024-01	Rotor kpl-yttre, vä	Left Tine Assy	
60	2	1483-2062-01	Distans	Spacer	

SILEX 50 RB



**SILEX 50 RB**

Pos. Fig.	Antal Quantity	Art No Part No	Benämning	Description	Anmärkning Notes
1	18	9959-0816-16	Skruv	Screw	
2	2	1483-2309-01	Fäste	Clamp	
3	16	9699-0121-02	Bricka	Washer	
4	8	1483-2305-01	Vevaxel	Shaft	
5	96	1483-2307-01	Fjäder	Spring	
6	2	1483-2301-01	Fläns	Flange	
7	2	1483-2310-01	Distans	Spacer	
8	2	1483-2285-01	Distans	Spacer	
9	2	1483-2308-01	Hjul	Wheel	
10	2	1483-2322-01	Låsbricka	Crown Fastener	
11	2	1483-2324-01	Stift	Pin	
12	2	9747-0831-02	Mutter	Nut	
13	1	1483-2320-01	Skyddsplåt	Cover	
14	1	1483-2319-01	Länk	Rod	
15	2	9699-0028-02	Bricka	Washer	