

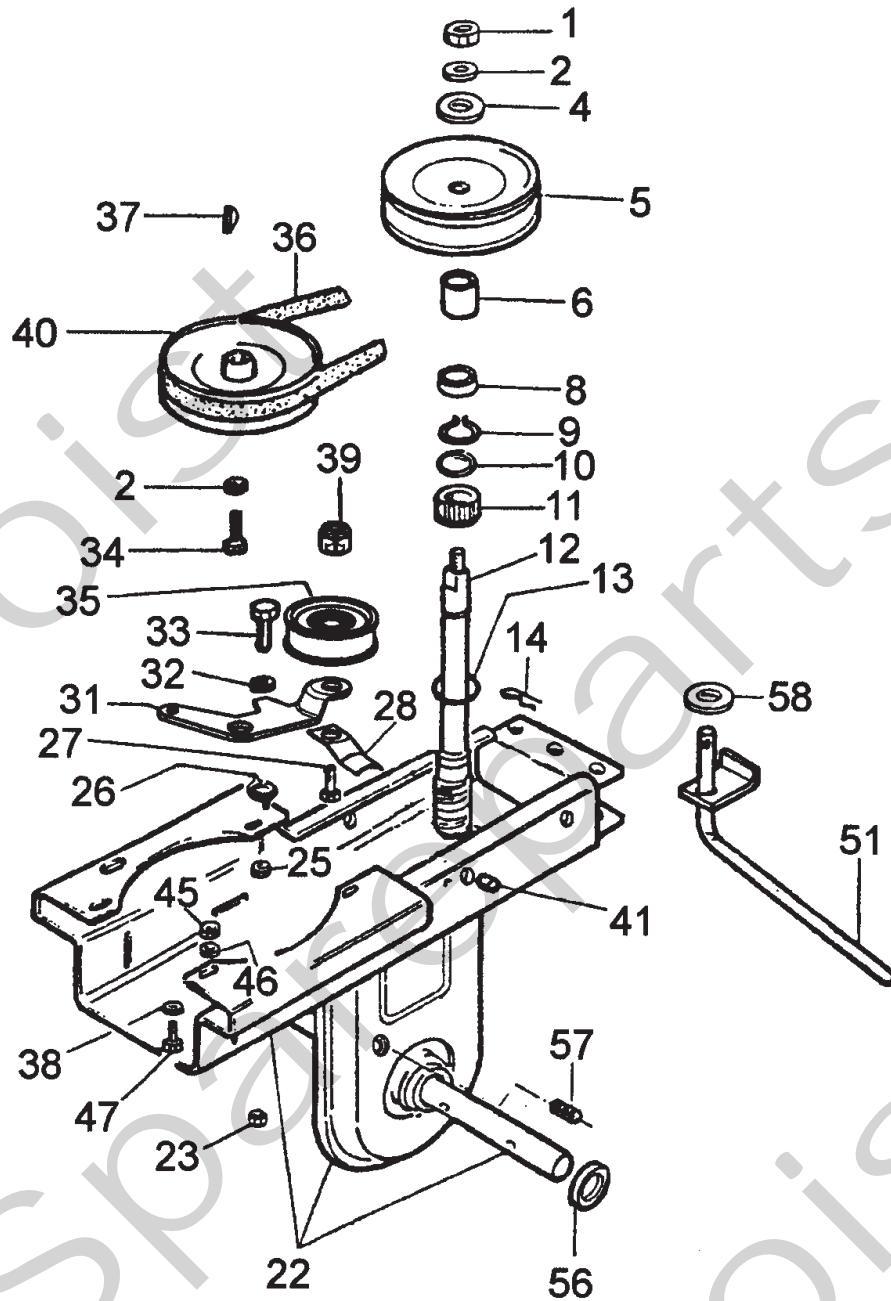
Genuine Spare Parts



Joist
Spareparts
Joist



| Utgåva Issue | | Bildnr Picture No | | SILEX 500- G SILEX 500R- G JORDFRÄS | | SILEX 500- G SILEX 500R- G TILLER | | Sida Page | |
|-----------------|----------------|----------------------|---|---|------------------------|---|-------------|---------------------|--|
| 2008- 12 | | 2422 | | | | | | 222 | |
| Pos. Fig. | Antal/Quantity | | | Art nr Part No | Benämning | Description | Sats Kit | Anmärkning Notes | |
| | 3161 -11 | 3162 -11 | | | | | | | |
| X | 1 | 2 | 2 | 9699-0025-02 | Planbricka..... | Washer..... | | | |
| X | 3 | 1 | 1 | 1483-2143-01 | Gasreglage..... | Throttle control..... | | | |
| X | 5 | 1 | 1 | 1483-2198-01 | Distans..... | Spacer..... | | | |
| | 6 | 1 | 2 | 9747-0531-02 | Mutter..... | Nut..... | | | |
| | 8 | 1 | 2 | 1483-2005-01 | Skruv..... | Screw..... | | | |
| X | 10 | 1 | 1 | 1483-2099-01 | Låsskruv..... | Locking screw w/knob..... | | | |
| | 11 | 2 | 2 | 1483-2009-01 | Grepp..... | Grip..... | | | |
| X | 12 | | 2 | 1483-2197-01 | Justernippel..... | Adjusting nipple..... | | | |
| X | 13 | 1 | | 1483-2110-01 | Reglagewire kpl..... | Control cable..... | | | |
| X | 13 | | 1 | 1483-2116-01 | Regl.wire- yttre..... | Control cable- outer..... | | | |
| X | 14 | 1 | | 1483-2098-01 | Styrrör- hö..... | Handlebar tube- RH..... | | | |
| X | 14 | | 1 | 1483-2102-01 | Styrrör- hö..... | Handlebar tube- RH..... | | | |
| X | 15 | 1 | 1 | 1483-2100-01 | Styrrör- vä..... | Handlebar tube- LH..... | | | |
| | 16 | 2 | 2 | 9897-0880-12 | Skruv..... | Screw..... | | | |
| X | 17 | | 1 | 1483-2104-01 | Reglagewire..... | Control cable..... | | | |
| | 18 | 1 | 2 | 1483-2008-01 | Kopplingshandtag..... | Clutch handle..... | | | |
| | 19 | 6 | 6 | 9747-0831-02 | Mutter..... | Lock nut..... | | | |
| X | 20 | 1 | 1 | 1483-2142-01 | Gaswire..... | Throttle cable..... | | | |
| | 22 | 1 | 1 | 9847-8016-16 | Skruv..... | Screw..... | | | |
| X | 23 | 1 | 1 | 1483-2105-01 | Styrfäste- gul..... | Handlebar attachm- yel..... | | | |
| X | 23 | 1 | 1 | 1483-2105-02 | Styrfäste- röd..... | Handlebar attachm- red..... | | | |
| X | 25 | 1 | 1 | 1483-2078-01 | Platta..... | Disc..... | | | |
| X | 26 | 1 | 1 | 1483-2101-01 | Skyddsplåt- gul..... | Protection shield- yel..... | | | |
| X | 26 | 1 | 1 | 1483-2101-02 | Skyddsplåt- röd..... | Protection shield- red..... | | | |
| X | 27 | | 1 | 1483-2103-01 | Reglagewire- inre..... | Control cable- inner..... | | | |
| X | 28 | | 1 | 1483-2115-01 | Fjäder..... | Spring..... | | | |
| X | 30 | 1 | 1 | 1483-2086-01 | Styrfästplåt- gul..... | Handlebar plate- yello..... | | | |
| X | 30 | 1 | 1 | 1483-2086-02 | Styrfästplåt- röd..... | Handlebar plate- red..... | | | |
| | 33 | 2 | 2 | 9959-0816-16 | Skruv..... | Screw..... | | | |
| | 36 | 4 | 4 | 9997-1050-16 | Skruv..... | Screw..... | | | |
| | 38 | 4 | 4 | 9747-1031-02 | Låsmutter..... | Lock nut..... | | | |
| | 39 | 4 | 4 | 9997-0820-16 | Skruv..... | Screw..... | | | |
| | 40 | 4 | 4 | 9699-0028-02 | Planbricka..... | Flat washer..... | | | |
| | 41 | 2 | 2 | 9699-0056-02 | Planbricka..... | Flat washer..... | | | |
| | 42 | 1 | 1 | 9699-0121-02 | Planbricka..... | Flat washer..... | | | |
| | 43 | 2 | 2 | 9959-0825-16 | Skruv..... | Screw..... | | | |
| | 44 | 2 | 2 | 9747-1031-02 | Låsmutter..... | Lock nut..... | | | |
| | 45 | 1 | 1 | 9948-0650-16 | Skruv..... | Screw..... | | | |
| | 46 | 1 | 1 | 9747-0631-02 | Låsmutter..... | Lock nut..... | | | |
| | 47 | 4 | 4 | 9699-0122-02 | Bricka..... | Washer..... | | | |
| X | 48 | 1 | 1 | 1483-2080-01 | Frontplåt..... | Front plate..... | | | |
| | 49 | 2 | 2 | 1483-2022-01 | Sidotallrik..... | Side disc..... | | | |
| | 50 | 1 | 1 | 9598-0002-02 | Låsnål..... | Pin lock..... | | | |
| X | 51 | 1 | 1 | 1483-2106-01 | Stödhjulsfäste..... | Support wheel brkt..... | | | |
| X | 52 | 1 | 1 | 1483-2111-01 | Stödhjul..... | Support wheel..... | | | |
| X | 53 | 1 | 1 | 1483-2195-01 | Låsbricka..... | Lock washer..... | | | |
| | 55 | 1 | 1 | 1483-2023-01 | Rotor kpl- hö..... | Tine assy- RH..... | | | |
| | 55 | 1 | 1 | 1483-2024-01 | Rotor kpl- vä..... | Tine assy- LH..... | | | |
| | 56 | 2 | 2 | 1483-2010-01 | Dammskydd..... | Dust protection..... | | | |
| | 59 | 2 | 2 | 9997-1050-16 | Skruv..... | Screw..... | | | |



| Utgåva Issue | | Bildnr Picture No | | SILEX 500- G JORDFRÄS | | SILEX 500- G TILLER | | Sida Page | |
|-----------------|----------------|----------------------|--|--------------------------|-------------------|------------------------|------------------------------|--------------|---------------------|
| 2008- 12 | | 2416 | | | | | | 224 | |
| Pos. Fig. | Antal/Quantity | | | | Art nr Part No | Benämning | Description | Sats Kit | Anmärkning Notes |
| | 3161 -11 | | | | | | | | |
| | 1 | 1 | | | 9799- 1231- 02 | Mutter..... | Nut | | |
| | 2 | 2 | | | 9699- 0035- 02 | Planbricka..... | Flat washer..... | | |
| X | 4 | 1 | | | 1483- 2085- 01 | Bricka | Washer..... | | |
| X | 5 | 1 | | | 1483- 2082- 01 | Remskiva..... | Belt pulley | | |
| X | 6 | 1 | | | 1483- 2084- 01 | Distans | Spacer..... | | |
| X | 8 | 1 | | | 1483- 2192- 01 | Kullager | Ball bearing | | |
| | 9 | 1 | | | 1483- 2068- 01 | Seegerring..... | Seeger ring | | |
| | 10 | 1 | | | 1483- 2000- 01 | Distans | Spacer..... | | |
| | 11 | 1 | | | 1483- 2072- 01 | Nållager | Needle roller case..... | | |
| X | 12 | 1 | | | 1483- 2081- 01 | Snäckskruv..... | Endless screw..... | | |
| X | 13 | 1 | | | 1483- 2188- 01 | O- ring | O- ring | | |
| | 14 | 1 | | | 9598- 0002- 02 | Låsnål | Pin lock | | |
| X | 22 | 1 | | | 1483- 2093- 01 | Transm.hus- gul..... | Transm.housing- yellow | | |
| X | 22 | 1 | | | 1483- 2093- 02 | Transm.hus- röd | Transm.housing- red | | |
| | 23 | 1 | | | 9747- 1031- 02 | Låsmutter | Lock nut | | |
| | 25 | 1 | | | 1483- 2001- 01 | Bussning | Bushing..... | | |
| X | 26 | 1 | | | 1483- 2096- 01 | Fjäder..... | Spring | | |
| | 27 | 1 | | | 9997- 1230- 16 | Skruv | Screw..... | | |
| X | 28 | 1 | | | 1483- 2144- 01 | Remstyrning..... | Belt guide..... | | |
| X | 31 | 1 | | | 1483- 2083- 01 | Spännarm | Tension arm | | |
| | 32 | 1 | | | 9699- 0105- 02 | Bricka | Washer..... | | |
| | 33 | 1 | | | 9997- 1020- 16 | Skruv | Screw..... | | |
| | 34 | 1 | | | 9987- 5225- 16 | Skruv | Screw..... | | |
| | 35 | 1 | | | 1483- 2004- 01 | Spännrulle | Idler pulley | | |
| X | 36 | 1 | | | 1483- 2113- 01 | Drivrem | Drive belt..... | | |
| | 37 | 1 | | | 12139100/0 | Kil | Key | | |
| | 38 | 1 | | | 9699- 0122- 02 | Bricka | Washer..... | | |
| | 39 | 1 | | | 9747- 1231- 02 | Låsmutter | Lock nut..... | | |
| | 40 | 1 | | | 1483- 2002- 01 | Remskiva..... | Belt pulley | | |
| X | 41 | 1 | | | 1483- 2108- 01 | Bussning | Bush..... | | |
| | 45 | 1 | | | 9747- 0831- 02 | Mutter..... | Lock nut..... | | |
| | 46 | 1 | | | 9699- 0028- 02 | Planbricka..... | Flat washer..... | | |
| | 47 | 1 | | | 9997- 0840- 16 | Skruv | Screw..... | | |
| X | 51 | 1 | | | 1483- 2107- 01 | Bromssporre | Depth skid..... | | |
| | 56 | 2 | | | 1483- 2070- 01 | Tätningring..... | Seal ring..... | | |
| | 57 | 1 | | | 1483- 2075- 01 | Lock..... | Cap..... | | |
| | 58 | 1 | | | 9699- 0104- 02 | Bricka | Washer..... | | |