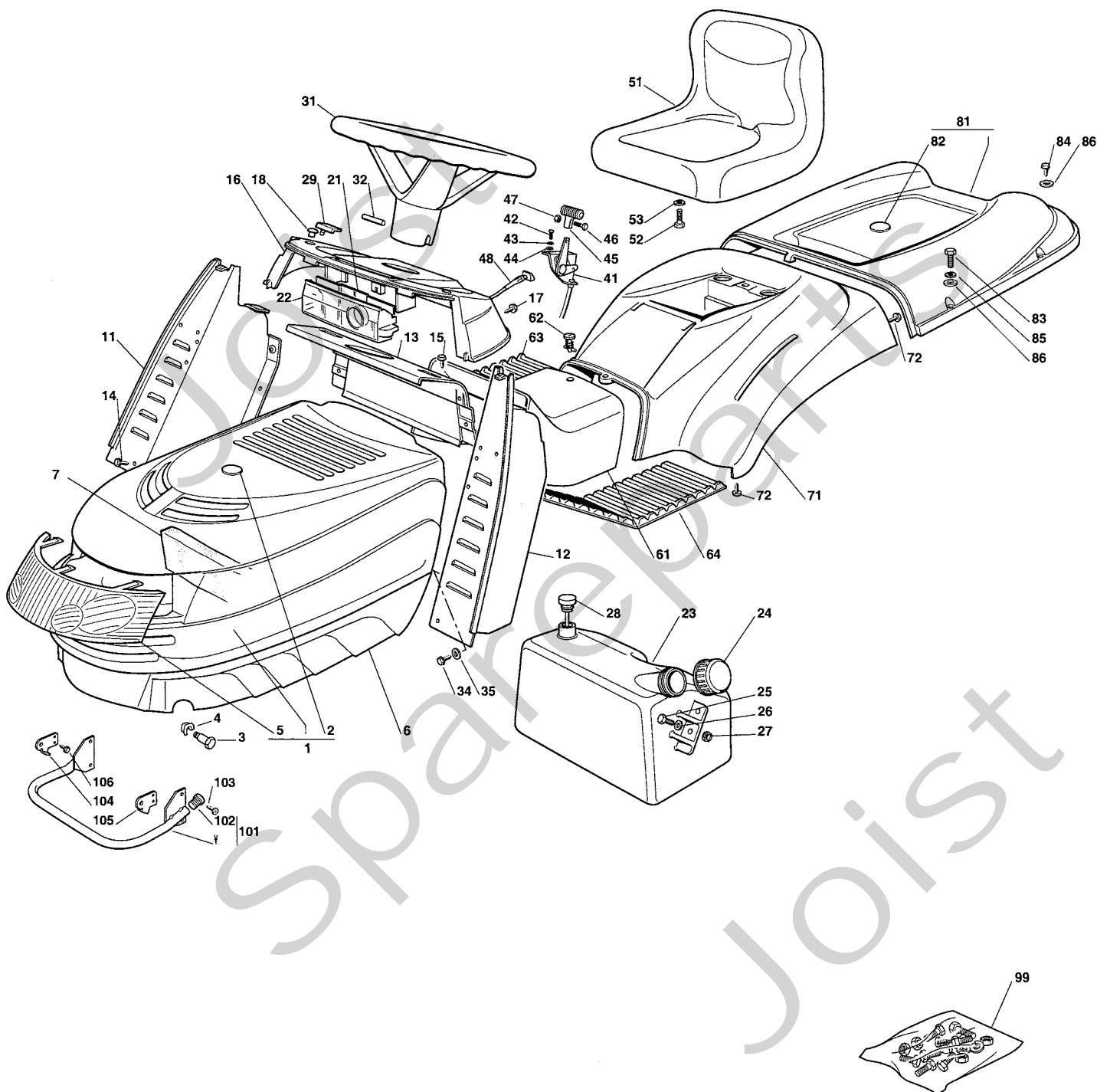


Genuine Spare Parts

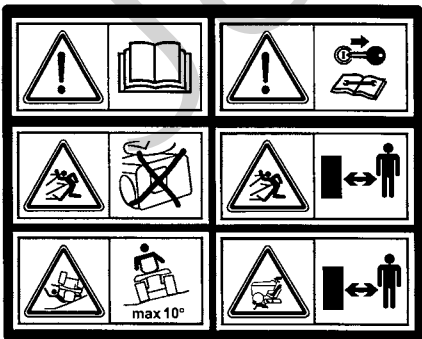


Joist
Spareparts
Joist



Utgåva Issue		Bildnr Picture No		ESTATE ROYAL ESTATE PRO 22 KAROSS		ESTATE ROYAL ESTATE PRO 22 BODY WORK		Sida Page
2004-13		1238C						120
Pos. Fig.	Antal/Quantity			Art nr Part No	Benämning	Description	Sats Kit	Anmärkning Notes
	2533	2535						
1	1	1		1136-1038-01	Motorhuv.....	Engine hood.....		Inkl. pos 2, 5
2	1	1		1136-0905-01	• Platta.....	• Plate.....		
3	2	2		1136-0230-01	Bult.....	Bolt.....		
4	2	2		1136-0009-01	Låsplatta.....	Lock plate.....		
5	1	1		1136-0888-01	• Grill.....	• Grill.....		
6	1	1		1136-0866-01	Motorhuv- nedre.....	Engine hood- lower.....		
7	1			1136-0921-01	Avskiljare.....	Intake separator.....		
7		1		1136-0922-01	Avskiljare.....	Intake separator.....		
11	1	1		1136-0535-01	Stöd- hö.....	Dashboard support- RH.....		
12	1	1		1136-0534-01	Stöd- vä.....	Dashboard support- LH.....		
13	1	1		1136-1497-01	Panelstöd- mittre.....	Support- centre.....		
14	2	2		9848-8013-16	Skruv.....	Screw.....		
15	4	4		9848-8013-16	Skruv.....	Screw.....		
16	1	1		1136-0870-01	Instrumentbräda.....	Dashboard.....		
17	4	4		9847-8013-16	Skruv.....	Screw.....		
18	2	2		1136-0872-01	Plugg.....	Plug.....		
21	1	1		1136-0274-01	Skydd.....	Protection.....		
22	1	1		1136-0285-01	Skydd.....	Protection.....		
23	1			1136-0317-01	Bränsletank.....	Fuel tank.....		
23		1		1136-0924-01	Bränsletank.....	Fuel tank.....		
24	1	1		1136-0344-01	Tanklock.....	Tank cap.....		
25	2	2		9997-0516-16	Skruv.....	Screw.....		
26	2	2		9699-0018-02	Bricka.....	Washer.....		
27	2	2		9747-0531-02	Mutter.....	Nut.....		
28	1	1		1136-0883-01	Bränslemätare.....	Fuel level indicator.....		
29	2	2		1136-0179-01	Huvskydd.....	Grommet.....		
31	1	1		1136-0360-01	Ratt.....	Steering wheel.....		
32	1	1		9595-0272-00	• Stift.....	• Pin.....		
34	2	2		9847-8119-16	Skruv.....	Screw.....		
35	2	2		9699-0035-02	Planbricka.....	Flat washer.....		
41	1			1136-0439-01	Gasreglage.....	Throttle control.....		
41		1		1136-1027-01	Gasreglage.....	Throttle control.....		
42	2	2		9997-0412-16	Skruv.....	Screw.....		
43	2	2		9683-0010-02	Bricka.....	Washer.....		
44	2	2		9699-0021-02	Bricka.....	Washer.....		
45	1	1		1136-0192-01	Knopp.....	Handle.....		
46	1	1		9865-0412-16	Skruv.....	Screw.....		
47	1	1		9799-0431-02	Mutter.....	Nut.....		
48		1		1136-0867-01	Choke.....	Starter drive.....		
51	1	1		1136-0316-01	Sits.....	Seat.....		
52	4	4		9997-0820-16	Skruv.....	Screw.....		
53	4	4		9683-0030-02	Låsbricka.....	Lock washer.....		
61	1	1		1136-0145-01	Kåpa.....	Cover.....		
62	1	1		1136-0268-01	Stift.....	Pivot.....		
63	1	1		1136-0153-01	Fotstegsskydd- hö.....	Footboard cover- RH.....		
64	1	1		1136-0146-01	Fotstegsskydd- vä.....	Footboard cover- LH.....		
71	1	1		1136-1228-01	Hjulkåpa.....	Wheel cover.....		
72	4	4		9836-9618-12	Skruv.....	Screw.....		
81	1	1		1136-1039-01	Uppsamlarlock.....	Grass catcher cover.....	Inkl. pos 82	
82	1	1		1136-0905-01	• Platta.....	• Plate.....		
83	2	2		9997-0635-12	Skruv.....	Screw.....		
84	4	4		9847-8116-16	Skruv.....	Screw.....		
85	2	2		9683-0010-02	Bricka.....	Washer.....		
86	6	6		9699-0035-02	Planbricka.....	Flat washer.....		
99	1	1		1136-0597-01	Tillbehörspåse.....	Key outfit.....	Inkl. pos 32	
101	1	1		1136-0553-01	Ljuddämparskydd.....	Muffler protection.....	Inkl. pos 102	
102	2	2		1136-0061-01	• Plugg.....	• Cap.....		
103	4	4		9847-8216-16	Skruv.....	Screw.....		
104	1	1		1136-0259-01	Huvfäste- hö.....	Hood plate- RH.....		
105	1	1		1136-0260-01	Huvfäste- vä.....	Hood plate- LH.....		
106	4	4		9847-8009-16	Skruv.....	Screw.....		

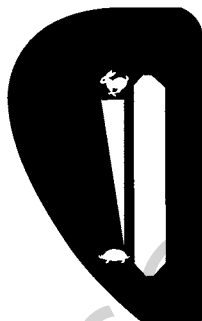
X



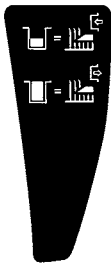
1



10



2



6



11



7



13



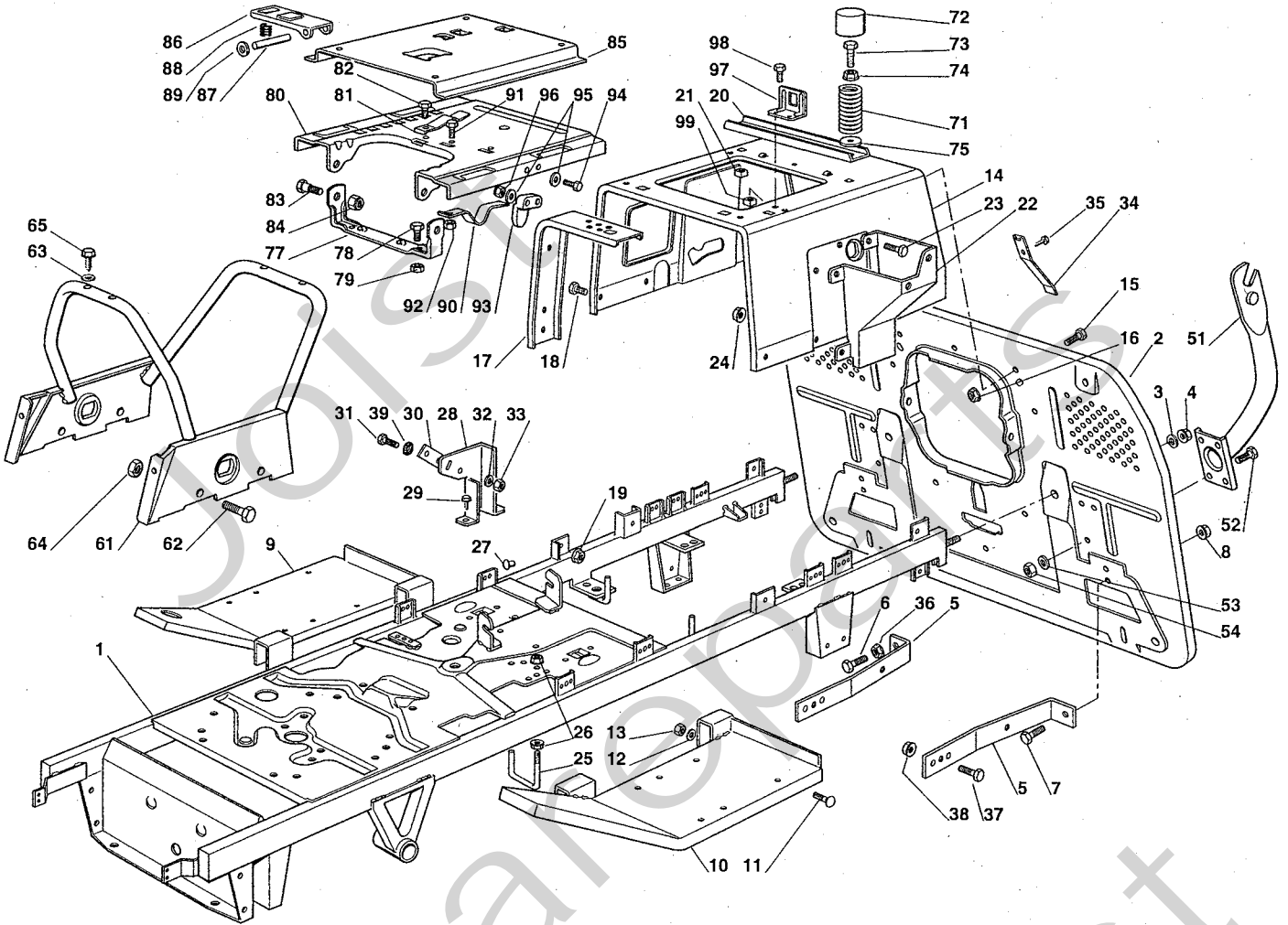
9



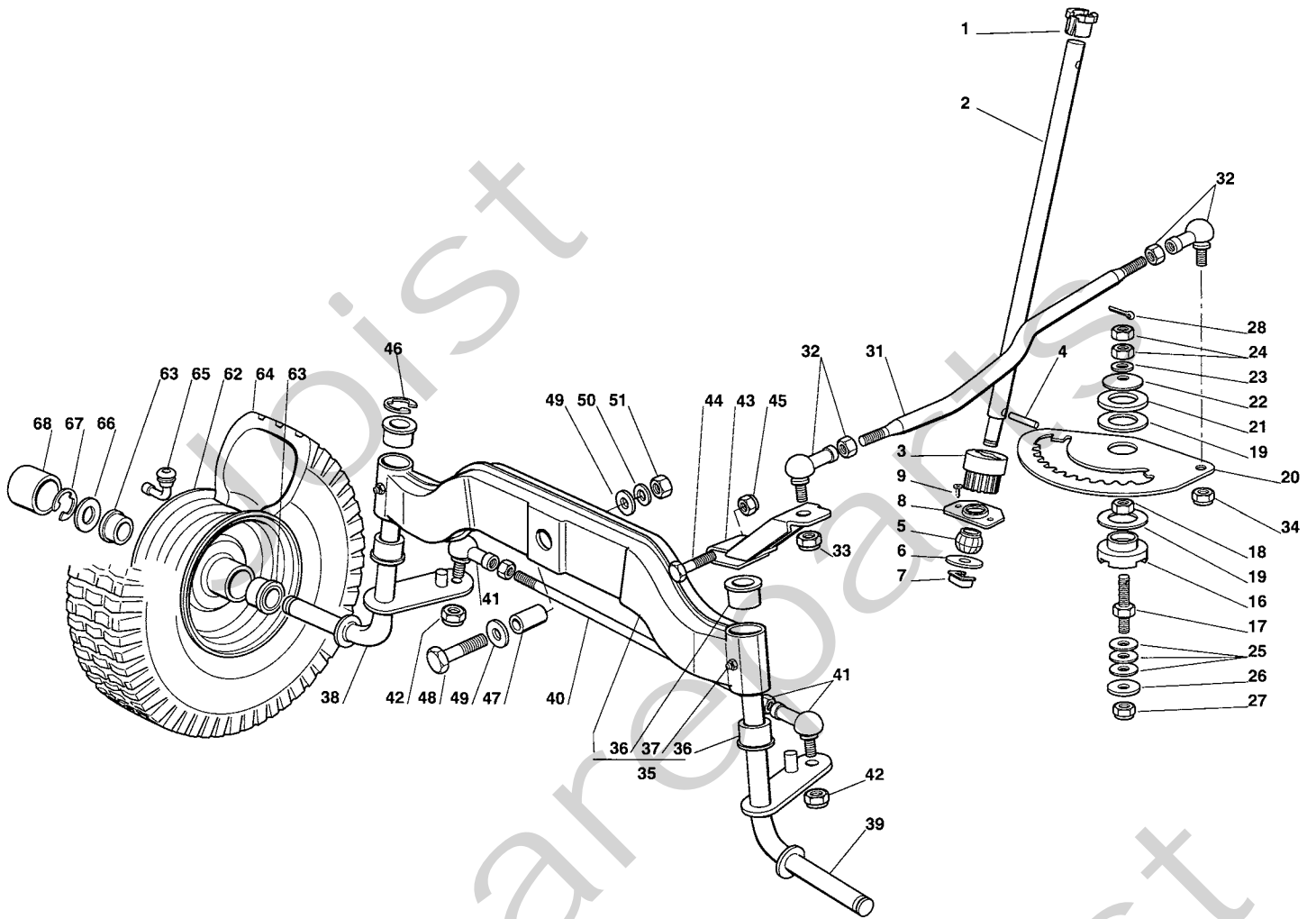
8

Utgåva Issue 2004-13		Bildnr Picture No 1210C		ESTATE ROYAL ESTATE PRO 22 DEKALER		ESTATE ROYAL ESTATE PRO 22 LABELS		Sida Page 122	
Pos. Fig.	Antal/Quantity			Art nr Part No	Benämning	Description	Sats Kit	Anmärkning Notes	
	2533	2535							
	1	1		1136-0025-01	Dekal	Label			
	2	1		1136-1111-01	Dekal	Label			
	6	1		1136-0040-01	Dekal	Label			
	7	1		1136-0039-01	Dekal	Label			
	8	1		1136-0038-01	Dekal	Label			
	9	1		1136-0030-01	Dekal	Label			
	10	2		1136-0021-01	Dekal	Label			
	11	1		1136-0022-01	Dekal	Label			
	13	1		1136-1218-01	Dekal	Label			
X	99	2		1136-1448-01	Dekal "Royal"	Label "Royal"		Ej ill/not ill.	
X	99		2	1136-1450-01	Dekal "Pro 22"	Label "Pro 22"		Ej ill/not ill.	
X	99	1	1	1136-1451-01	Dekal "STIGA"	Label "STIGA"		Ø 55 mm	
X	99	3	3	1136-1453-01	Dekal "STIGA"	Label "STIGA"		140 x 33 mm	

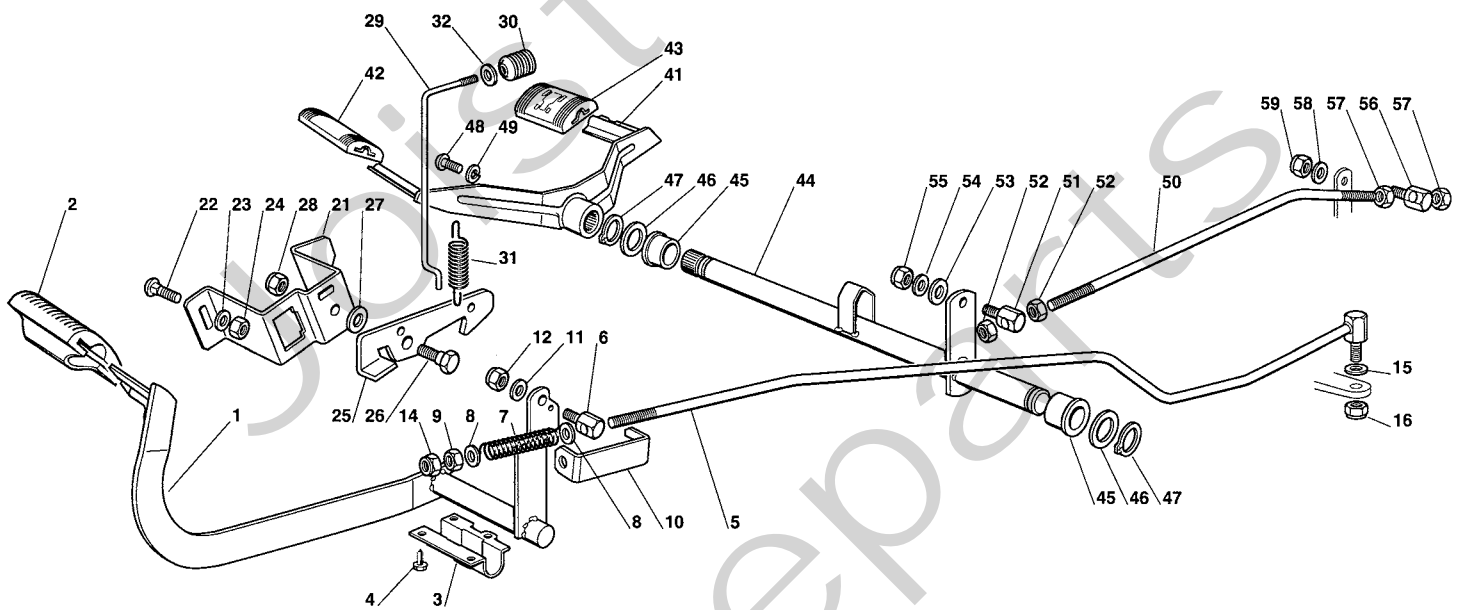
Utgåva Issue		Bildnr Picture No		ESTATE ROYAL ESTATE PRO 22 CHASSI		ESTATE ROYAL ESTATE PRO 22 CHASSIS		Sida Page	
2004- 13		1237C						124	
Pos. Fig.	Antal/Quantity			Art nr Part No	Benämning	Description	Sats Kit	Anmärkning Notes	
	2533	2535							
X 1	1			1136-1498-01	Ram.....	Frame.....			
2	1			1136-0514-01	Plåt- bak.....	Plate- rear.....			
3	2			9683-0040-02	Låsbricka.....	Lock washer.....			
4	2			9799-1031-02	Mutter.....	Nut.....			
5	2			1136-0328-01	Förstärkning.....	Reinforcement.....			
6	1			9997-0835-12	Skruv.....	Screw.....			
7	1			9997-0820-16	Skruv.....	Screw.....			
8	2			9739-0831-22	Mutter.....	Nut.....			
9	1			1136-0511-01	Fotsteg- hö.....	Footboard support- RH.....			
10	1			1136-0512-01	Fotsteg- vä.....	Footboard support- LH.....			
11	4			9898-0645-12	Skruv.....	Screw.....			
12	4			9699-0060-02	Planbricka.....	Flat washer.....			
13	4			9747-0631-02	Låsmutter.....	Lock nut.....			
14	1			1136-0338-01	Sitsfäste.....	Seat support.....			
15	5			9997-0616-16	Skruv.....	Screw.....			
16	5			9739-0631-22	Mutter.....	Nut.....			
17	2			1136-0303-01	Förstärkning.....	Reinforcement.....			
18	6			9997-0616-16	Skruv.....	Screw.....			
19	6			9739-0631-22	Mutter.....	Nut.....			
20	1			1136-0304-01	Förstärkning.....	Reinforcement.....			
21	2			1136-0003-01	Fyrkantmutter.....	Square nut.....			
22	1			1136-0339-01	Stöd.....	Support.....			
23	4			9997-0616-16	Skruv.....	Screw.....			
24	4			9739-0631-22	Mutter.....	Nut.....			
25	1			1136-0267-01	Remstyrning.....	Belt guide.....			
26	2			9739-0631-22	Mutter.....	Nut.....			
27	1			1136-0386-01	Gummiplugg.....	Grommet.....			
28	1			1136-0340-01	Stöd.....	Support.....			
29	2			9848-8013-16	Skruv.....	Screw.....			
30	1			1136-0407-01	Plåt.....	Plate.....			
31	2			1136-1214-01	Skruv.....	Screw.....			
32	2			9683-0005-02	Låsbricka.....	Lock washer.....			
33	2			9799-0331-02	Mutter.....	Nut.....			
34	1			1136-0220-01	Fjäder.....	Spring.....			
35	1			9847-8009-16	Skruv.....	Screw.....			
36	1			9799-0831-02	Mutter.....	Nut.....			
37	2			9997-0820-16	Skruv.....	Screw.....			
38	2			9739-0831-22	Mutter.....	Nut.....			
39	1			1136-0610-01	Bricka.....	Washer.....			
51	2			1136-0532-01	Fäste.....	Support.....			
52	6			9997-0816-16	Skruv.....	Screw.....			
53	6			9699-0056-02	Planbricka.....	Flat washer.....			
54	6			9739-0831-22	Mutter.....	Nut.....			
61	1			1136-0524-01	Ram- övre.....	Frame- top.....			
62	4			9997-0816-16	Skruv.....	Screw.....			
63	4			9699-0035-02	Planbricka.....	Flat washer.....			
64	4			9739-0831-22	Mutter.....	Nut.....			
65	4			9847-8119-16	Skruv.....	Screw.....			
71	2			1136-0202-01	Fjäder.....	Spring.....			
72	2			1136-0156-01	Lock.....	Cap.....			
73	2			1136-0358-01	Skruv.....	Screw.....			
74	2			9739-0831-22	Mutter.....	Nut.....			
75	2			1136-0014-01	Bricka.....	Washer.....			
77	1			1136-0530-01	Sitsbygel.....	Seat clamp.....			
78	2			9997-0816-16	Skruv.....	Screw.....			
79	2			9739-0831-22	Mutter.....	Nut.....			
80	1			1136-0343-01	Sitsstöd.....	Seat support.....			
81	1			1136-0201-01	Fjäder.....	Spring.....			
82	1			9847-8009-16	Skruv.....	Screw.....			
83	2			1136-0086-01	Bult.....	Bolt.....			
84	2			9712-0831-02	Låsmutter.....	Lock nut.....			
85	1			1136-0342-01	Sitsfäste.....	Seat support.....			
86	1			1136-0184-01	Stopparm.....	Stop lever.....			



Utgåva Issue		Bildnr Picture No		ESTATE ROYAL ESTATE PRO 22 CHASSI		ESTATE ROYAL ESTATE PRO 22 CHASSIS		Sida Page	
2004-13		1237C						126	
Pos. Fig.	Antal/Quantity			Art nr Part No	Benämning	Description	Sats Kit	Anmärkning Notes	
	2533	2535							
87	1			1136-0224-01	Axel	Pin			
88	1			1136-0200-01	Fjäder.....	Spring			
89	2			9675-0008-02	Starlock	Locking washer.....			
90	1			1136-0891-01	Fjäder.....	Spring			
91	1			9997-0512-16	Skruv	Screw			
92	1			9747-0531-02	Mutter.....	Nut			
93	1			1136-1227-01	Kam	Cam			
94	2			1136-0819-01	Skruv	Screw			
95	4			9699-0024-02	Planbricka.....	Flat washer			
96	2			1136-1212-01	Mutter.....	Nut			
97	1			1136-0925-01	Vinkelfäste	Angle bracket			
98	2			9848-8013-16	Skruv	Screw			
99	2			1136-0010-01	Låsplatta	Lock plate			

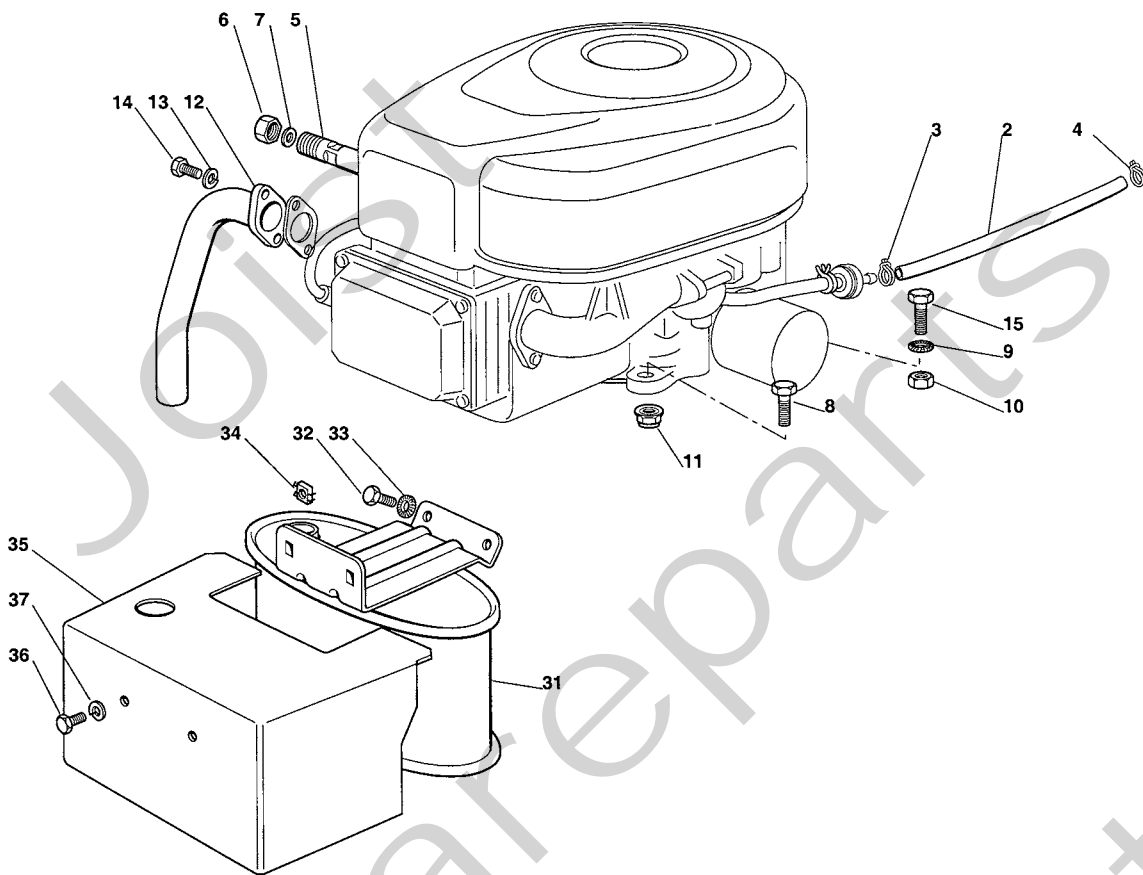


Utgåva Issue		Bildnr Picture No		ESTATE ROYAL ESTATE PRO 22 STYRNING		ESTATE ROYAL ESTATE PRO 22 STEERING		Sida Page	
2004-13		1239B						128	
Pos. Fig.	Antal/Quantity			Art nr Part No	Benämning	Description	Sats Kit	Anmärkning Notes	
	2533 2535								
X	1	1		1136-1469-01	Bussning	Bushing			
X	2	1		1136-1472-01	Rattstång	Steering column			
	3	1		1136-0263-01	Styrdrev	Steering pinion			
	4	1		9595-0262-00	Spännstift	Locating pin			
X	5	1		1136-1473-01	Länk	Joint			
	6	1		9699-0037-02	Bricka	Washer			
	7	1		1136-0008-01	Låsplatta	Lock plate			
X	8	1		1136-1477-01	Stöd	Support			
	9	2		9847-8116-16	Skruv	Screw			
	16	1		1136-0128-01	Bussning	Bushing			
	17	1		1136-0246-01	Pinnbult	Stud bolt			
	18	1		9799-1031-02	Mutter	Nut			
	19	2		1136-0310-01	Bricka	Washer			
	20	1		1136-0320-01	Styrsektor	Steering sector			
	21	1		1136-0311-01	Bricka	Washer			
	22	1		1136-0083-01	Fjäderbricka	Elastic washer			
	23	1		9699-0035-02	Planbricka	Flat washer			
	24	2		9799-1031-02	Mutter	Nut			
	25	3		1136-0087-01	Bricka	Washer			
	26	1		1136-0015-01	Bricka	Washer			
	27	1		9747-1031-02	Låsmutter	Lock nut			
	28	1		9599-0070-02	Saxsprint	Split pin			
	31	1		1136-0106-01	Styrstag	Steering rod			
	32	2		1136-0092-01	Kulled	Ball joint			
	33	1		9747-1031-02	Låsmutter	Lock nut			
	34	1		9747-1031-02	Låsmutter	Lock nut			
	35	1		1136-0465-01	Framaxel kpl	Front wheel axle Assy		inkl. pos 36, 37	
	36	4		1136-0121-01	• Bussning	• Bushing			
	37	2		9501-0500-00	• Smörjnippl	• Grease joint			
	38	1		1136-0484-01	Hjulspindel-hö	Stub axle-RH			
	39	1		1136-0483-01	Hjulspindel-vä	Stub axle-LH			
	40	1		1136-0345-01	Parallellstag	Tie rod			
	41	2		1136-0092-01	Kulled	Ball joint			
	42	2		9747-1031-02	Låsmutter	Lock nut			
	43	1		1136-0488-01	Styrmarm	Steering arm			
	44	1		9997-0890-12	Skruv	Screw			
	45	1		9747-0831-02	Mutter	Lock nut			
	46	1		9652-0015-04	Låsring	Retaining ring			
	47	1		1136-0160-01	Distans	Spacer			
	48	1		9997-1680-12	Skruv	Screw			
	49	2		9699-0104-02	Bricka	Washer			
	50	1		9683-0065-02	Låsbricka	Lock washer			
	51	1		9799-1631-02	Mutter	Nut			
	62	2		1136-0454-01	Fälg	Rim			
	63	4		1136-0157-01	Lager	Bearing			
	64	2		1136-0269-01	Däck (Turf Saver)	Tire (Turf Saver)			
	64	2		1136-0271-01	Däck (Deli)	Tire (Deli)			
	65	2		1136-0359-01	Ventil	Valve			
	66	2		1136-0305-01	Bricka	Washer			
	67	2		9652-0015-04	Låsring	Retaining ring			
	68	2		1136-0081-01	Navkapsel	Hub cap			

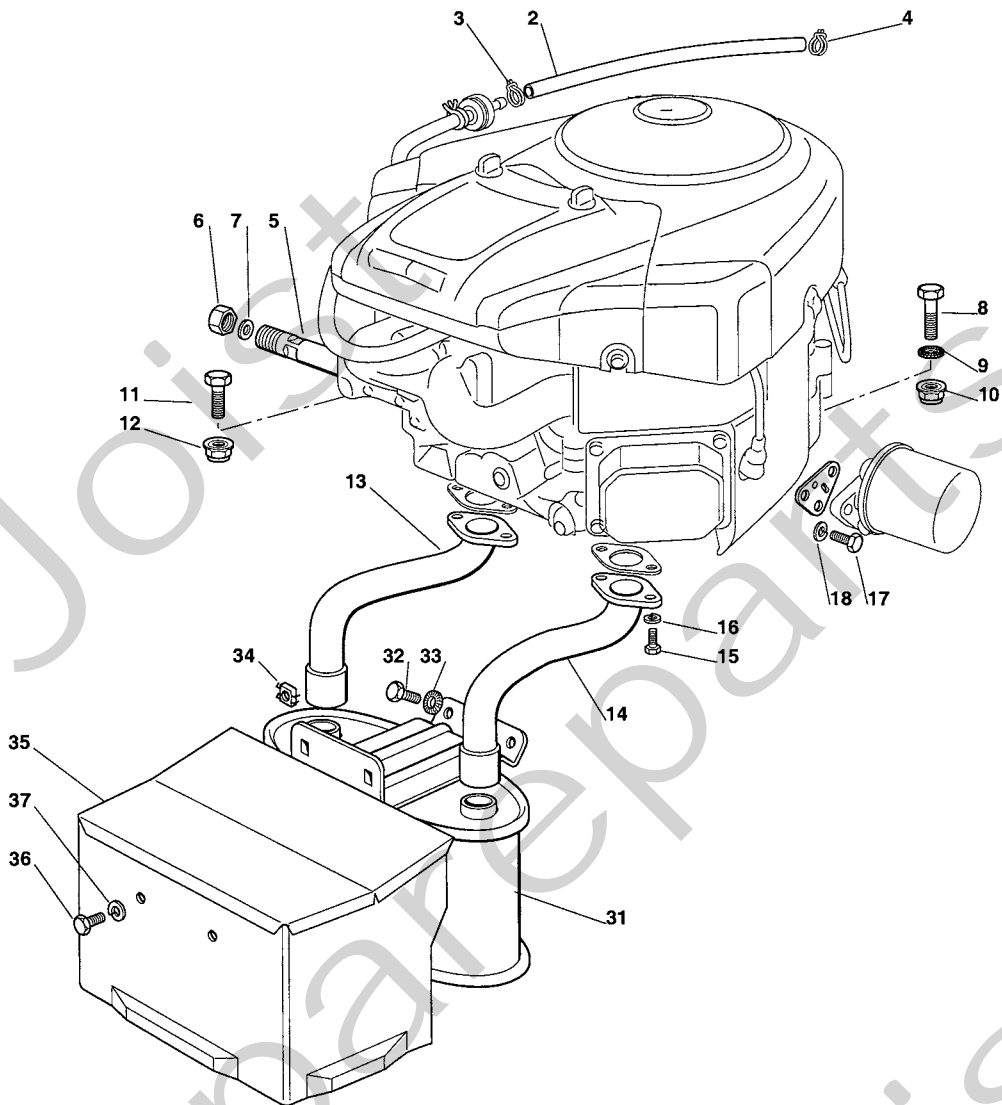


Utgåva Issue		Bildnr Picture No		ESTATE ROYAL ESTATE PRO 22 BROMSREGLAGE DRIVREGLAGE		ESTATE ROYAL ESTATE PRO 22 BRAKE CONTROL DRIVE CONTROL		Sida Page	
2004- 13		1240						130	
Pos. Fig.	Antal/Quantity			Art nr Part No	Benämning	Description	Sats Kit	Anmärkning Notes	
	2533	2535							
1	1			1136-0508-01	Bromspedal	Brake pedal			
2	1			1136-0151-01	Pedalskydd	Pedal cover			
3	1			1136-0258-01	Bygel	Clamp			
4	4			9847-8016-16	Skruv	Screw			
5	1			1136-0453-01	Bromsstång	Brake rod			
6	1			1136-0239-01	Ledbult	Pivot bolt			
7	1			1136-0218-01	Fjäder	Spring			
8	2			9699-0035-02	Planbricka	Flat washer			
9	1			9799-1031-02	Mutter	Nut			
10	1			1136-0329-01	Bygel	Clamp			
11	1			9699-0090-02	Planbricka	Flat washer			
12	1			9747-0831-02	Mutter	Lock nut			
14	1			9747-1031-02	Låsmutter	Lock nut			
15	1			9699-0090-02	Planbricka	Flat washer			
16	1			9747-0831-02	Mutter	Lock nut			
21	1			1136-0341-01	Fäste	Support			
22	2			9898-0620-16	Skruv	Screw			
23	1			9699-0060-02	Planbricka	Flat washer			
24	2			9747-0631-02	Låsmutter	Lock nut			
25	1			1136-0178-01	Spärrhake	Hook			
26	1			1136-0086-01	Bult	Bolt			
27	1			1136-0309-01	Bricka	Washer			
28	1			9747-0831-02	Mutter	Lock nut			
29	1			1136-0115-01	P-bromsarm	Parking brake lever			
30	1			1136-0196-01	Knopp	Knob			
31	1			1136-0205-01	Fjäder	Spring			
32	1			9699-0018-02	Bricka	Washer			
41	1			1136-0509-01	Drivpedal	Drive pedal			
42	1			1136-0149-01	Pedalskydd- fram	Pedal cover-front			
43	1			1136-0150-01	Pedalskydd- bak	Pedal cover-rear			
44	1			1136-0451-01	Pedalaxel	Pedal axle			
45	2			1136-0078-01	Bussning	Bushing			
46	2			1136-0090-01	Bricka	Washer			
47	2			9650-0020-04	Spårring	Circlip			
48	1			9939-0816-16	Skruv	Screw			
49	1			9683-0030-02	Låsbricka	Lock washer			
50	1			1136-0113-01	Stag	Drive rod			
51	1			1136-0241-01	Ledbult	Pivot bolt			
52	2			9799-0831-02	Mutter	Nut			
53	1			9699-0035-02	Planbricka	Flat washer			
54	1			9699-0060-02	Planbricka	Flat washer			
55	1			9747-0631-02	Låsmutter	Lock nut			
56	1			1136-0241-01	Ledbult	Pivot bolt			
57	2			9799-0831-02	Mutter	Nut			
58	1			9699-0060-02	Planbricka	Flat washer			
59	1			9747-0631-02	Låsmutter	Lock nut			

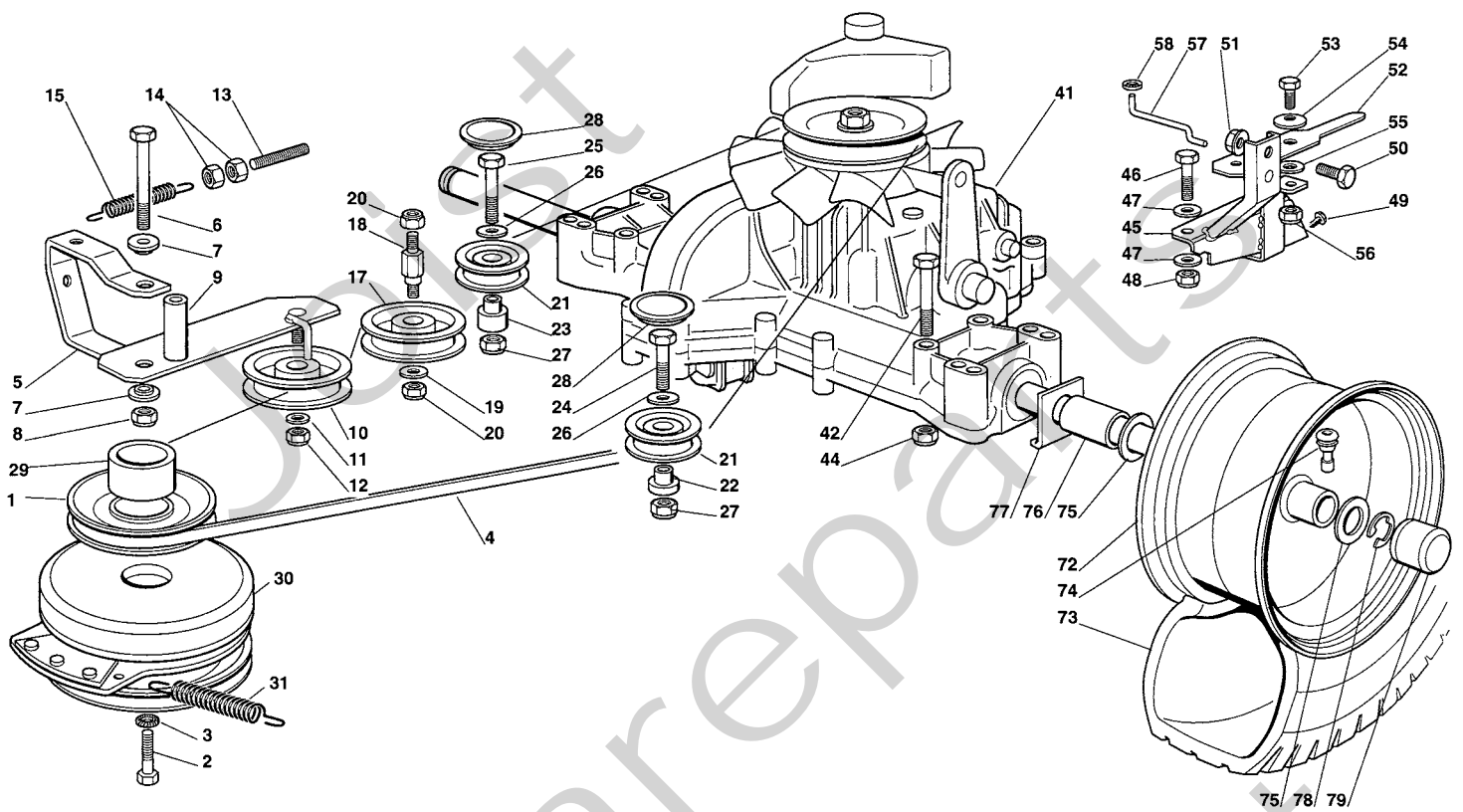
Utgåva Issue 2004-13		Bildnr Picture No 1247C		ESTATE ROYAL ESTATE PRO 22 ELUTRUSTNING		ESTATE ROYAL ESTATE PRO 22 EL. EQUIPMENT		Sida Page 132	
Pos. Fig.	Antal/Quantity			Art nr Part No	Benämning	Description	Sats Kit	Anmärkning Notes	
	2533	2535							
1	1	1		1136-0313-01	Elektronikkort	Electronic card			
2	3	3		9847-7816-16	Skruv	Screw			
3	1	1		1136-0428-01	• Säkring	• Fuse		6.3 A	
4	1	1		1136-0199-01	Kontrollskylt	Check control panel		6 functions	
4	1	1		1136-0889-01	Kontrollskylt	Check control panel		8 functions	
5	1	1		1136-1284-01	Kabelhärva	Harness			
5	1	1		1136-1285-01	Kabelhärva	Harness			
6	1	1		1136-0471-01	Kabelhärva	Harness		Inkl. pos 9	
7	1	1		1134-4804-01	Batteri	Battery			
8	1	1		1136-0215-01	Fjäder	Spring			
9	1	1		1136-0056-01	• Tändningslås	• Ignition switch		Inkl. pos 10 - 11	
10	1	1		1136-0049-01	•• Mutter	•• Nut			
11	1	1		1134-4097-01	•• Täckåpa	•• Cap			
12	1	1		1134-2848-01	Tändningsnyckel	Ignition key			
13	1	1		1136-0064-01	Startrelä	Solenoid			
14	2	2		9997-0620-16	Skruv	Screw			
15	2	2		9794-5131-02	Mutter	Nut			
16	1	1		1136-0132-01	Kabelhärva	Harness			
17	1	1		1136-0133-01	Kabel	Cable			
18	1	1		1136-0055-01	Brytare	Switch		Strålkastare/light	
19	1	1		1136-0468-01	Kabel	Cable			
20	2	2		1136-0429-01	Lamphållare	Lamp holder			
21	2	2		1136-0058-01	Glödlampa	Bulb			
22	3	3		1136-0073-01	Mikrobrytare	Micro switch			
23	1	1		1136-0072-01	Mikrobrytare	Micro switch		Full upps./grass bag	
24	1	1		1136-0076-01	Mikrobrytare	Micro switch		Neutral	
27	1	1		9795-3531-02	Mutter	Nut			
28	1	1		1136-0057-01	Mikrobrytare	Micro switch		Koppling/clutch	
29	1	1		1136-0043-01	Timräknare	Hour counter			
30	5	5		1136-0427-01	Kabelhållare	Cable holder			
31	1	1		1136-0426-01	Kabelhållare	Cable holder			
32	1	1		1136-0059-01	Polskydd	Protection			
33	1	1		1136-0060-01	Polskydd	Protection			
37	1	1		1136-1221-01	• Lock	• Cap			
99	1	1		1136-0597-01	Tillbehörspåse	Key outfit		Inkl. pos 3, 12	



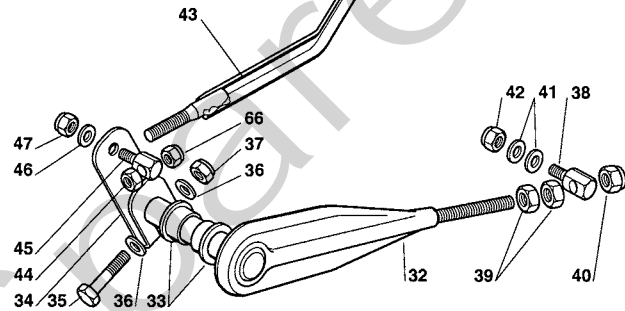
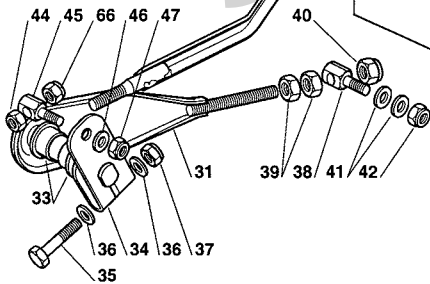
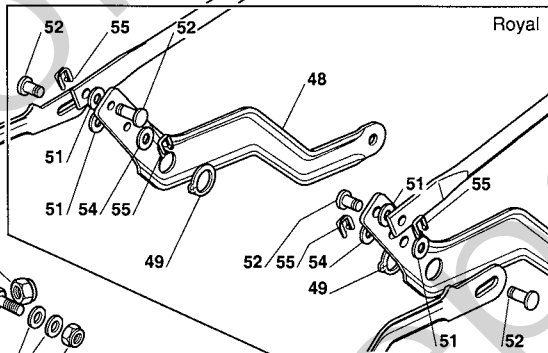
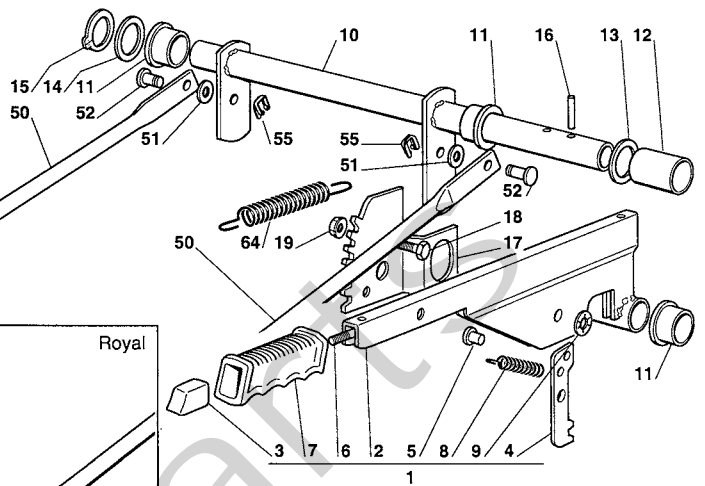
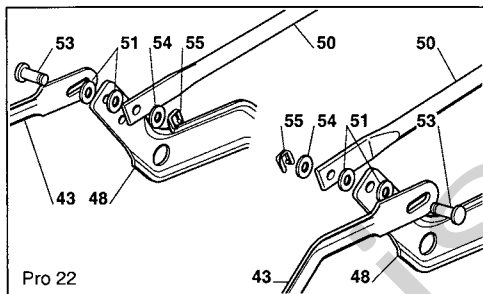
Utgåva Issue		Bildnr Picture No		ESTATE ROYAL MOTOR		ESTATE ROYAL ENGINE		Sida Page	
2004-13		1560A						134	
Pos. Fig.	Antal/Quantity			Art nr Part No	Benämning	Description	Sats Kit	Anmärkning Notes	
	2533								
2	1			1136-0354-01	Bränsleslang	Fuel hose			
3	1			1136-0045-01	Slangklämma	Hose clamp			
4	1			1136-0046-01	Slangklämma	Hose clamp			
5	1			1136-0273-01	Oljeavtappningsrör	Oil drain tube			
6	1			1136-0066-01	Oljeavtappningsplugg	Oil drain plug			
7	1			1136-0054-01	Tätningring	Oil seal			
8	3			9997-0835-12	Skruv	Screw		L = 35 mm	
9	1			9677-0009-02	Låsbricka	Lock washer			
10	1			9739-0831-22	Mutter	Nut			
11	3			9739-0831-22	Mutter	Nut			
12	1			1136-0067-01	Avgasrör	Exhaust tube			
13	2			9683-0030-02	Låsbricka	Lock washer			
14	2			9988-3619-16	Skruv	Screw			
15	1			9997-0840-16	Skruv	Screw		L = 40 mm	
31	1			1136-1054-01	Ljuddämpare	Muffler			
32	2			9997-0820-16	Skruv	Screw			
33	2			9677-0009-02	Låsbricka	Lock washer			
34	2			1136-0004-01	Fyrkantmutter	Square nut			
35	1			1136-1048-01	Skydd	Guard			
36	2			9997-0816-16	Skruv	Screw			
37	2			9683-0030-02	Låsbricka	Lock washer			



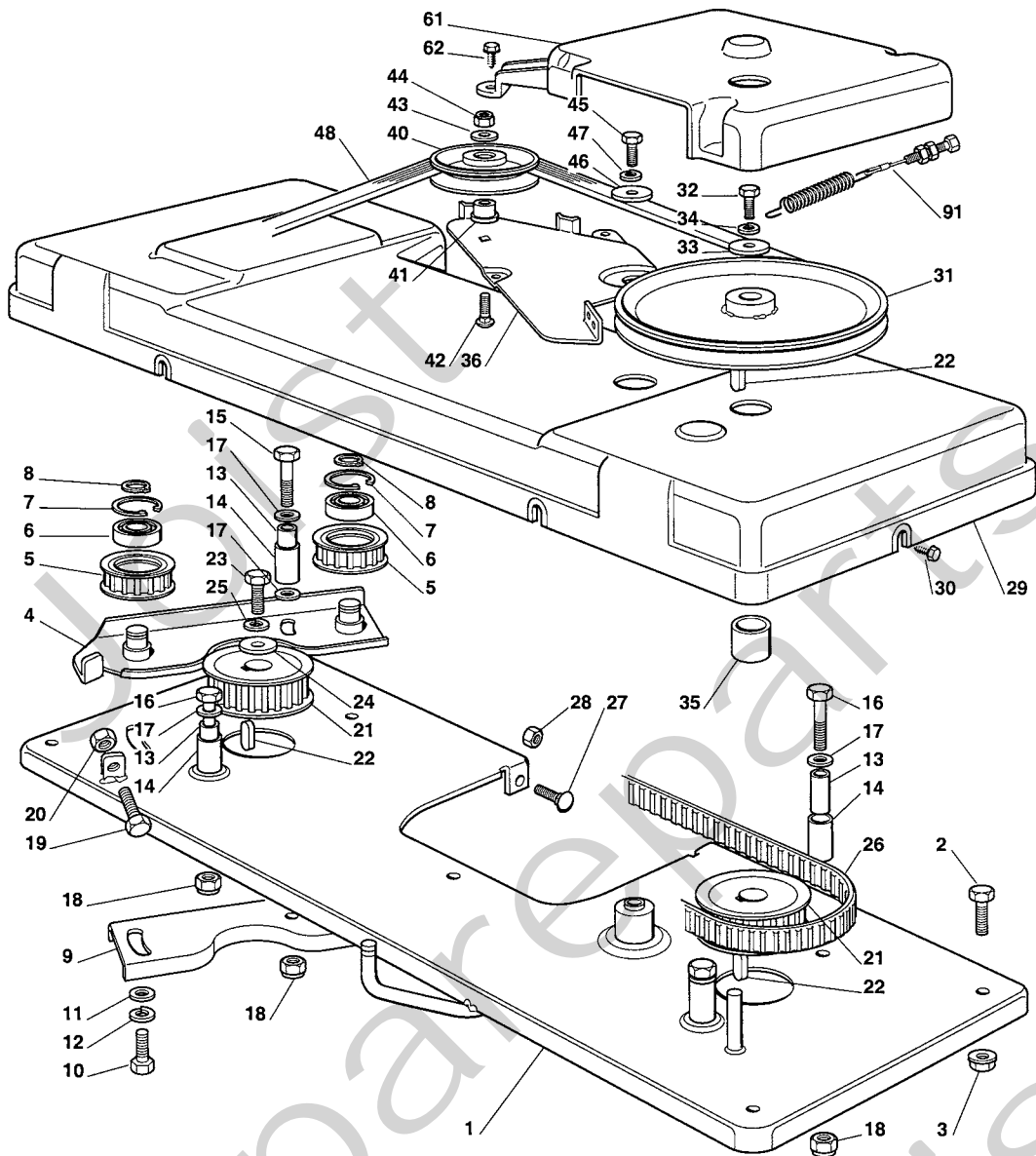
Utgåva Issue		Bildnr Picture No		ESTATE PRO 22 MOTOR		ESTATE PRO 22 ENGINE		Sida Page	
2004-13		1450A						136	
Pos. Fig.	Antal/Quantity			Art nr Part No	Benämning	Description	Sats Kit	Anmärkning Notes	
	2535								
2	1			1136-0354-01	Bränsleslang	Fuel hose			
3	1			1136-0045-01	Slangklämma	Hose clamp			
4	1			1136-0046-01	Slangklämma	Hose clamp			
5	1			1136-0273-01	Oljeavtappningsrör	Oil drain tube			
6	1			1136-0066-01	Oljeavtappningsplugg	Oil drain plug			
7	1			1136-0054-01	Tätningring	Oil seal			
8	1			9997-0840-16	Skruv	Screw			
9	1			9677-0009-02	Låsbricka	Lock washer		L = 40 mm	
10	1			9739-0831-22	Mutter	Nut			
11	3			9997-0835-12	Skruv	Screw		L = 35 mm	
12	3			9739-0831-22	Mutter	Nut			
13	1			1136-0843-01	Avgasrör- hö	Exhaust pipe- RH			
14	1			1136-0844-01	Avgasrör- vä	Exhaust pipe- LH			
15	4			9988-3619-16	Skruv	Screw			
16	4			9683-0030-02	Låsbricka	Lock washer			
17	3			9997-0620-16	Skruv	Screw			
18	3			9683-0025-02	Låsbricka	Lock washer			
31	1			1136-1053-01	Ljuddämpare	Muffler			
32	2			9997-0820-16	Skruv	Screw			
33	2			9677-0009-02	Låsbricka	Lock washer			
34	2			1136-0004-01	Fyrkantmutter	Square nut			
35	1			1136-1047-01	Skydd	Guard			
36	2			9997-0816-16	Skruv	Screw			
37	2			9683-0030-02	Låsbricka	Lock washer			



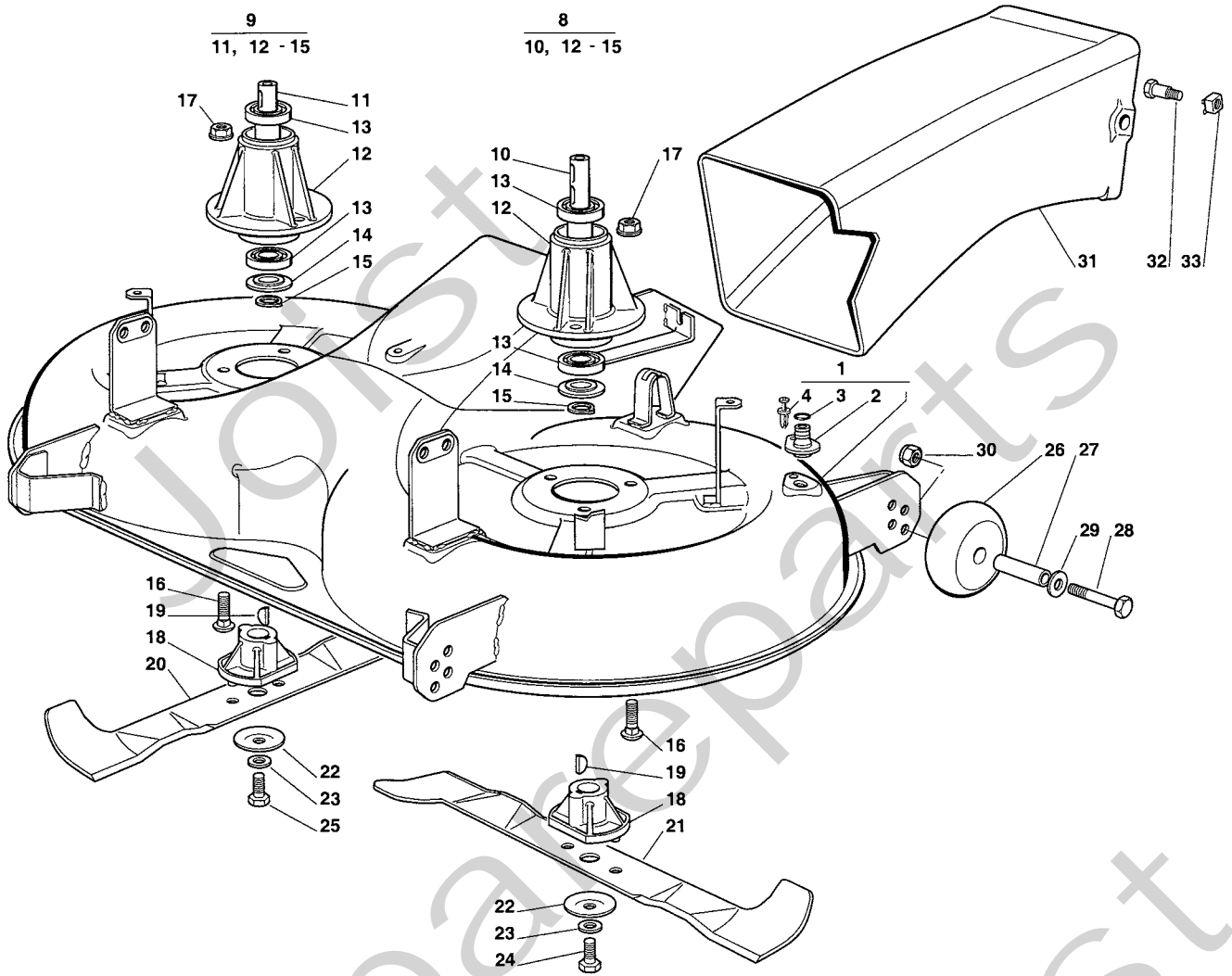
Utgåva Issue 2004-13		Bildnr Picture No 1242B		ESTATE ROYAL ESTATE PRO 22 TRANSMISSION		ESTATE ROYAL ESTATE PRO 22 TRANSMISSION		Sida Page 138	
Pos. Fig.	Antal/Quantity			Art nr Part No	Benämning	Description	Sats Kit	Anmärkning Notes	
	2533 2535								
1	1			1136-0297-01	Motorremskiva	Engine belt pulley			
2	1			9987-5376-12	Skruv	Screw			
3	1			9683-0045-02	Bricka	Washer			
4	1			1136-0434-01	Kilrem	V-belt			
5	1			1136-0499-01	Spännarm	Tension arm			
6	1			9997-0875-12	Skruv	Screw			
7	2			1136-0123-01	Bussning	Bushing			
8	1			9747-0831-02	Mutter	Lock nut			
9	1			1136-0173-01	Distans	Spacer			
10	1			1136-0289-01	Spännrulle	Idler pulley			
11	1			9699-0056-02	Planbricka	Flat washer			
12	1			9747-0831-02	Mutter	Lock nut			
13	1			1136-0351-01	Spännstång	Tie rod			
14	2			9799-0831-02	Mutter	Nut			
15	1			1136-0208-01	Fjäder	Spring			
17	1			1136-0290-01	Remrulle	Belt roller			
18	1			1136-0234-01	Pinnbult	Stud bolt			
19	1			9699-0056-02	Planbricka	Flat washer			
20	2			9747-0831-02	Mutter	Lock nut			
21	2			1136-0915-01	Remrulle	Belt roller			
22	1			1136-0174-01	Distans- vä	Spacer-LH			
23	1			1136-0170-01	Distans- hö	Spacer-RH			
24	1			9997-0840-16	Skruv	Screw			
25	1			9997-0850-16	Skruv	Screw			
26	2			9699-0056-02	Planbricka	Flat washer			
27	2			9747-0831-02	Mutter	Lock nut			
28	2			1136-0868-01	Lock	Cover			
29	1			1136-0168-01	Distans	Spacer			
30	1			1136-0048-01	Elektromagn. koppling	Elektromagn. clutch			
31	1			1136-0204-01	Fjäder	Spring			
41	1			1136-0052-01	Transaxel	Transaxle		Kanzaki K46F	
42	4			9997-0860-16	Skruv	Screw			
44	4			9739-0831-22	Mutter	Nut			
45	1			1136-0542-01	Fäste	Support			
46	1			9997-0845-12	Skruv	Screw			
47	2			9699-0090-02	Planbricka	Flat washer			
48	1			9747-0831-02	Mutter	Lock nut			
49	2			9847-8216-16	Skruv	Screw			
50	1			9997-0816-16	Skruv	Screw			
51	1			9739-0831-22	Mutter	Nut			
52	1			1136-0190-01	Arm	Lever			
53	1			9997-0820-16	Skruv	Screw			
54	1			1136-0006-01	Fjäderbricka	Elastic washer			
55	1			1136-0309-01	Bricka	Washer			
56	1			9747-0831-02	Mutter	Lock nut			
57	1			1136-0114-01	Stag	Rod			
58	1			9675-0009-02	Starlock	Starlock			
72	2			1136-0455-01	Fälg	Rim			
73	2			1136-0270-01	Däck (Turf Saver)	Tire (Turf Saver)			
73	2			1136-0272-01	Däck (Deli)	Tire (Deli)			
74	2			9545-0500-00	Ventil	Valve			
75	4			1136-0305-01	Bricka	Washer			
76	2			1136-0169-01	Distans	Spacer			
77	2			1136-0312-01	Bricka	Washer			
78	2			9652-0015-04	Låsring	Retaining ring			
79	2			1136-0081-01	Navkapsel	Hub cap			



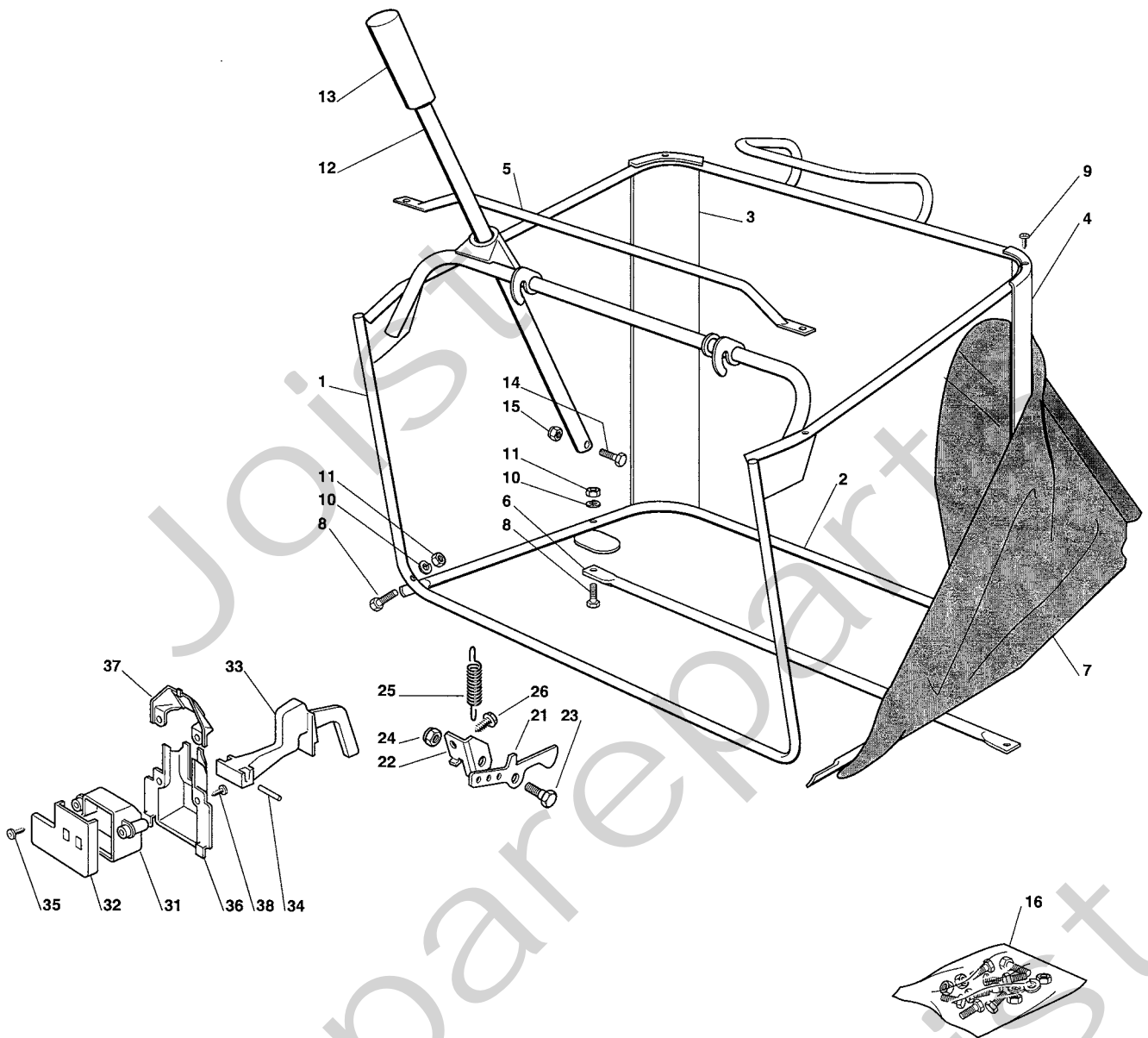
Utgåva Issue		Bildnr Picture No		ESTATE ROYAL ESTATE PRO 22 AGGREGATSLYFT		ESTATE ROYAL ESTATE PRO 22 MOWER DECK LIFT		Sida Page	
2004-13		1243B						140	
Pos. Fig.	Antal/Quantity			Art nr Part No	Benämning	Description	Sats Kit	Anmärkning Notes	
	2533	2535							
1	1	1		1136-0487-01	Lyftspak kpl	Lift lever assy		Inkl. pos 2 - 9	
2	1	1		1136-0493-01	• Lyftspak	• Lift lever			
3	1	1		1136-0298-01	• Tryckknapp	• Button			
4	1	1		1136-0222-01	• Spärrhake	• Dog			
5	1	1		1136-0227-01	• Sprint	• Pin			
6	1	1		1136-0105-01	• Tryckstång	• Push rod			
7	1	1		1136-0193-01	• Handtag	• Handle			
8	1	1		1136-0203-01	• Fjäder	• Spring			
9	1	1		9675-0012-02	• Starlock	• Locking washer			
10	1	1		1136-0450-01	Lyftaxel	Lift axle			
11	3	3		1136-0078-01	Bussning	Bushing			
12	1	1		1136-0171-01	Distans	Spacer			
13	1	1		1136-0090-01	Bricka	Washer			
14	1	1		9699-0119-02	Bricka	Washer			
15	1	1		9650-0020-04	Spärring	Circlip			
16	2	2		9595-0235-00	Spännstift	Locating pin			
17	1	1		1136-0319-01	Höjdställn.segment	Height adjust sector			
18	2	2		9997-0816-16	Skruv	Screw			
19	2	2		9739-0831-22	Mutter	Nut			
31	1			1136-0497-01	Lyftarm fram- hö	Lift lever front- RH			
31		1		1136-1041-01	Lyftarm fram- hö	Lift lever front- RH			
32	1			1136-0498-01	Lyftarm fram- vä	Lift lever front- LH			
32		1		1136-1042-01	Lyftarm fram- vä	Lift lever front- LH			
33	4	4		1136-0127-01	Bussning	Bushing			
34	2	2		1136-0191-01	Lyftarm	Lift arm			
35	2	2		9997-0890-12	Skruv	Screw			
36	4	4		9699-0090-02	Planbricka	Flat washer			
37	2	2		9747-0831-02	Mutter	Lock nut			
38	2	2		1136-0243-01	Ledbult	Pivot bolt			
39	4	4		9799-1031-02	Mutter	Nut			
40	2	2		9747-1031-02	Låsmutter	Lock nut			
41	4	4		1136-0308-01	Bricka	Washer			
42	2	2		9747-1031-02	Låsmutter	Lock nut			
43	2	2		1136-0449-01	Förbindningsstång- fr	Connecting rod- front			
44	2	2		9747-0831-02	Mutter	Lock nut			
45	2	2		1136-0242-01	Ledbult	Pivot bolt			
46	2	2		9699-0090-02	Planbricka	Flat washer			
47	2	2		9747-0831-02	Mutter	Lock nut			
48	2	2		1136-0189-01	Lyftarm- bak	Lift lever- rear			
49	2	2		9650-0019-04	Låsring	Retainer ring			
50	2	2		1136-0112-01	Förbindningsstång- bak	Connecting rod- rear			
51	6	6		1136-0309-01	Bricka	Washer			
52	6	2		1136-0240-01	Sprint	Pin			
53		2		1136-0898-01	Sprint	Pin			
54	2	2		9699-0090-02	Planbricka	Flat washer			
55	6	4		1136-0009-01	Låsplatta	Lock plate			
56	2	2		1136-0243-01	Ledbult	Pivot bolt			
57	4	4		1136-0308-01	Bricka	Washer			
58	2	2		9747-1031-02	Låsmutter	Lock nut			
59	2	2		9997-1010-02	Skruv	Screw			
60	2	2		9799-1031-02	Mutter	Nut			
61	2	2		1136-0899-01	Ledbult	Pivot bolt			
62	2	2		1136-0808-01	Bricka	Washer			
63	2	2		9598-0002-02	Låsnål	Pin lock			
64	1	1		1136-0207-01	Fjäder	Spring			
66	2	2		9799-0831-02	Mutter	Nut			



Utgåva Issue 2004-13		Bildnr Picture No 1244		ESTATE ROYAL ESTATE PRO 22 AGGREGATSINKOPPLING		ESTATE ROYAL ESTATE PRO 22 MOWER DECK ENGAGEMENT		Sida Page 142	
Pos. Fig.	Antal/Quantity			Art nr Part No	Benämning	Description	Sats Kit	Anmärkning Notes	
	2533	2535							
1	1			1136-0513-01	Remtransm.platta	Belt transm. plate			
1		1		1136-1043-01	Remtransm.platta	Belt transm. plate			
2	4	4		9997-0816-16	Skruv	Screw			
3	4	4		9739-0831-22	Mutter	Nut			
4	1	1		1136-0539-01	Fäste	Support			
5	2			1136-0293-01	Remrulle	Belt roller			
5		2		1136-0913-01	Remrulle	Belt roller			
6	2	2		1136-0070-01	Kullager	Ball bearing			
7	2	2		9651-0035-04	Låsring	Lock ring			
8	2	2		9650-0015-04	Låsring	Lock ring			
9	1	1		1136-0299-01	Förstärkning	Reinforcement			
10	2	2		9997-0820-16	Skruv	Screw			
11	2	2		9699-0090-02	Planbricka	Flat washer			
12	2	2		9683-0030-02	Låsbricka	Lock washer			
13	4	4		1136-0159-01	Distans	Spacer			
14	4	4		1136-0122-01	Bussning	Bushing			
15	1	1		9997-0890-12	Skruv	Screw			
16	3	3		9997-0845-12	Skruv	Screw			
17	5	5		9699-0090-02	Planbricka	Flat washer			
18	4	4		9747-0831-02	Mutter	Lock nut			
19	1	1		9997-0860-16	Skruv	Screw			
20	1	1		9799-0831-02	Mutter	Nut			
21	2			1136-0294-01	Kuggremskiva	Toothed belt pulley			
21		2		1136-0914-01	Kuggremskiva	Toothed belt pulley			
22	3	3		1136-0001-01	Kil	Key			
23	1	1		9997-0820-16	Skruv	Screw			
24	1	1		1136-0307-01	Bricka	Washer			
25	1	1		9683-0030-02	Låsbricka	Lock washer			
26	1			1136-0436-01	Kuggrem	Toothed belt			
26		1		1136-1024-01	Kuggrem	Toothed belt			
27	3	3		9898-0616-16	Skruv	Screw			
28	3	3		9739-0631-22	Mutter	Nut			
29	1			1136-0129-01	Remhus	Belt housing			
29		1		1136-0863-01	Remhus	Belt housing			
30	6	6		9848-8013-16	Skruv	Screw			
31	1			1136-0288-01	Remskiva	Belt pulley			
31		1		1136-0912-01	Remskiva	Belt pulley			
32	1	1		9997-0820-16	Skruv	Screw			
33	1	1		1136-0307-01	Bricka	Washer			
34	1	1		9683-0030-02	Låsbricka	Lock washer			
35	1	1		1136-0158-01	Distans	Spacer			
36	1			1136-0185-01	Bromsarm	Brake lever			
36		1		1136-0884-01	Bromsarm	Brake lever			
40	1	1		1136-0290-01	Remrulle	Belt roller			
41	1	1		1136-0161-01	Distans	Spacer			
42	1	1		9898-0835-12	Skruv	Screw			
43	1	1		9699-0056-02	Planbricka	Flat washer			
44	1	1		9747-0831-02	Mutter	Lock nut			
45	1	1		9997-0820-16	Skruv	Screw			
46	1	1		1136-0014-01	Bricka	Washer			
47	1	1		9683-0030-02	Låsbricka	Lock washer			
48	1			1136-0435-01	Kilrem	V-belt			
48		1		1136-1023-01	Kilrem	V-belt			
61	1			1136-0284-01	Remskydd	Belt guard			
61		1		1136-0908-01	Remskydd	Belt guard			
62	3	3		1136-0816-01	Skruv	Screw			
91	1			1136-0462-01	Wire	Wire			
91		1		1136-1034-01	Wire	Wire			

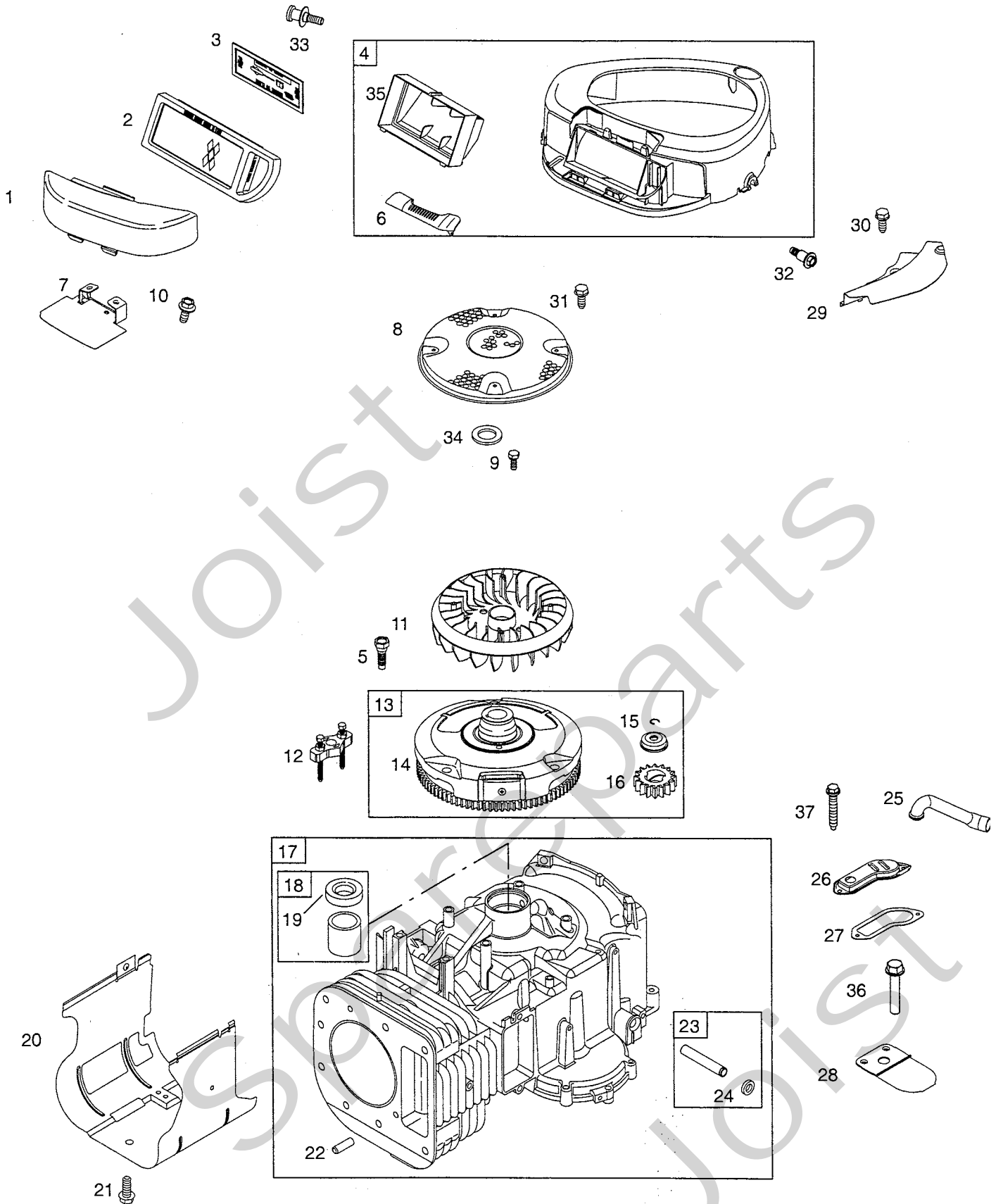


Utgåva Issue 2004-13		Bildnr Picture No 1245A		ESTATE ROYAL ESTATE PRO 22 KLIPPAGGREGAT		ESTATE ROYAL ESTATE PRO 22 MOWER DECK		Sida Page 144	
Pos. Fig.	Antal/Quantity			Art nr Part No	Benämning	Description	Sats Kit	Anmärkning Notes	
	2533	2535							
1	1			1136-1045-01	Klippaggregatskåpa	Mower deck casing		Inkl. pos 2 - 4	
1		1		1136-1046-01	Klippaggregatskåpa	Mower deck casing		Inkl. pos 2 - 4	
2	2	2		1136-0120-01	• Vattenslangnippel	• Water hose connection.....			
3	2	2		1136-0068-01	• O-ring.....	• O-ring			
4	2	2		1136-0012-01	• Nit.....	• Rivet.....			
8	1	1		1136-0479-01	Lagerbox kpl.....	Bearing box assy.....		Inkl. pos 10, 12 - 15	
9	1	1		1136-0480-01	Lagerbox kpl.....	Bearing box assy.....		Inkl. pos 11, 12 - 15	
10	1	1		1136-0097-01	• Knivaxel.....	• Blade shaft			
11	1	1		1136-0098-01	• Knivaxel.....	• Blade shaft			
13	4	4		1136-0069-01	• Kullager	• Ball bearing			
14	2	2		1136-0176-01	• Dammskydd	• Dust cover.....			
15	2	2		9650-0020-04	• Spårning.....	• Circlip			
16	6	6		9898-0825-16	Skruv	Screw			
17	6	6		9739-0831-22	Mutter.....	Nut			
18	2	2		1136-0221-01	Knivfäste.....	Blade hub			
19	2	2		9600-0014-00	Kil	Key			
20	1			1136-1031-01	Kniv- hö	Blade- RH			
20		1		1136-1033-01	Kniv- hö	Blade- RH			
21	1			1136-1030-01	Kniv- vä.....	Blade- LH			
21		1		1136-1032-01	Kniv- vä.....	Blade- LH			
22	2	2		1136-0083-01	Fjäderbricka.....	Elastic washer			
23	2	2		1136-0015-01	Bricka	Washer			
24	1	1		9987-5238-12	Knivbult	Blade bolt			
25	1	1		1136-0018-01	Knivbult (vä- gängad)	Blade bolt (L thread)			
26	4	4		1136-1052-01	Stödhjul	Anti scalp wheel			
27	4	4		1136-0900-01	Distans	Spacer			
28	4	4		9997-0880-16	Skruv	Screw			
29	4	4		9699-0056-02	Planbricka.....	Flat washer			
30	4	4		9739-0831-22	Mutter.....	Nut			
31	1	1		1136-0140-01	Utkaströr	Discharge chute			
32	2	2		1136-0238-01	Bult.....	Pin bolt			
33	2	2		1136-0004-01	Fyrkantmutter	Square nut			



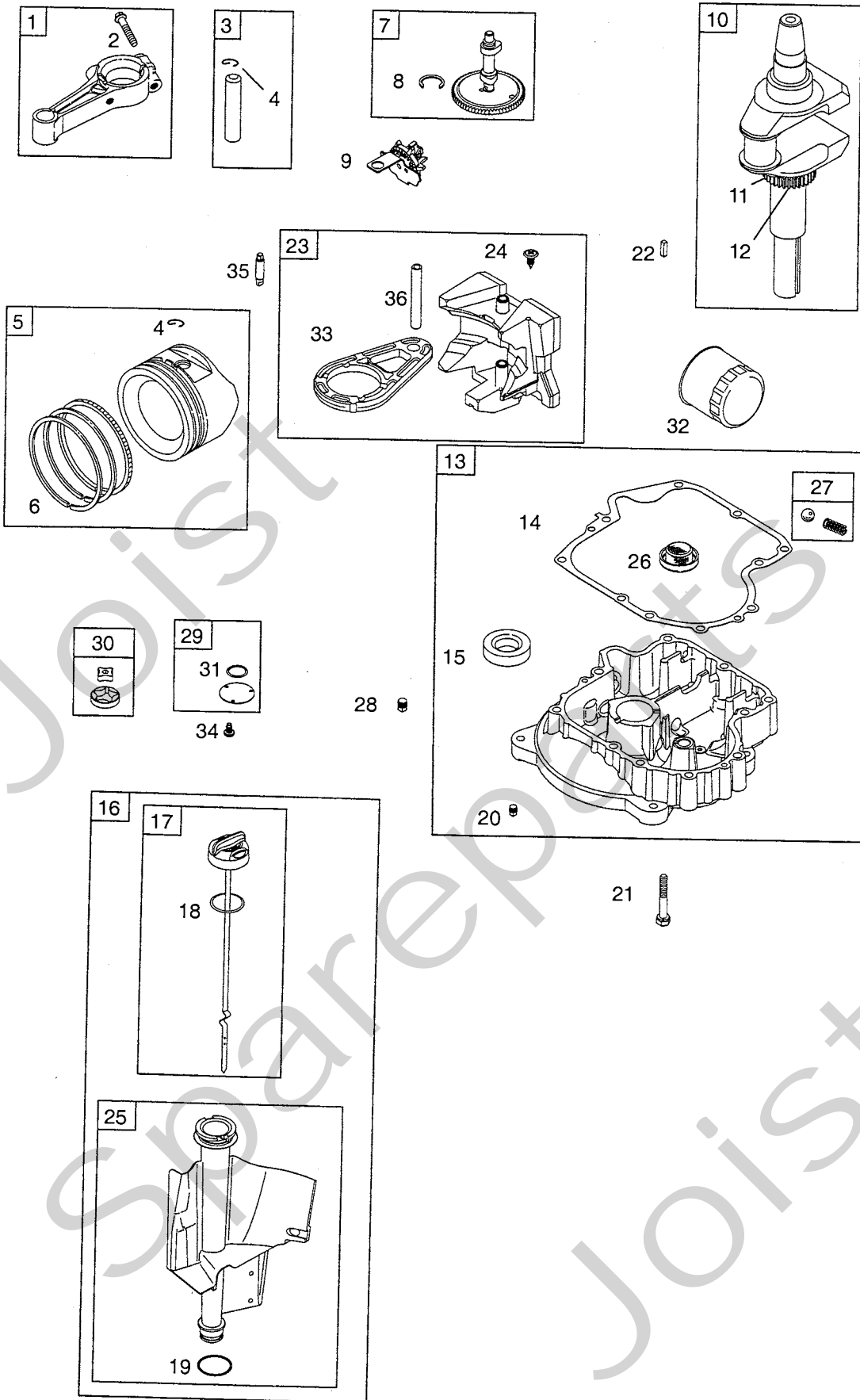
Utgåva Issue 2004-13		Bildnr Picture No 1246B		ESTATE ROYAL ESTATE PRO 22 UPPSAMLARE		ESTATE ROYAL ESTATE PRO 22 GRASS CATCHER		Sida Page 146	
Pos. Fig.	Antal/Quantity			Art nr Part No	Benämning	Description	Sats Kit	Anmärkning Notes	
	2533								
	1			1136-0550-01	Ram- övre.....	Frame- upper.....			
	2			1136-0544-01	Ram- nedre.....	Frame- lower.....			
	3			1136-0101-01	Vinkelstöd- hö.....	Angle support- RH.....			
	4			1136-0102-01	Vinkelstöd- vä.....	Angle support- LH.....			
	5			1136-0501-01	Handtag- främre.....	Handle- front.....			
	6			1136-0522-01	Förstärkningsstag.....	Reinforcement rod.....			
	7			1136-0474-01	Uppsamlingsäck.....	Grass bag.....			
	8	4		9997-0630-12	• Skruv.....	• Screw.....			
	9	4		9847-8116-16	• Skruv.....	• Screw.....			
	10	4		9683-0010-02	• Bricka.....	• Washer.....			
	11	4		9799-0631-02	• Mutter.....	• Nut.....			
	12	1		1136-0355-01	Spak.....	Lever.....			
	13	1		1136-0195-01	Handtag.....	Handle.....			
	14	1		9997-0630-12	• Skruv.....	• Screw.....			
	15	1		9747-0631-02	• Låsmutter.....	• Lock nut.....			
	16	1		1136-0600-01	Skruvsats.....	Screw set.....		Inkl. pos 8-11,14-15	
X	21	1		1136-1475-01	Fäste.....	Bracket.....			
X	22	1		1136-1474-01	Fäste.....	Bracket.....			
X	23	1		1136-1470-01	Sprint.....	Pin.....			
	24	1		9739-0631-22	Mutter.....	Nut.....			
	25	1		1136-0204-01	Fjäder.....	Spring.....			
X	26	1		1136-1465-01	Skruv.....	Screw.....			
	31	1		1136-0280-01	Brytarskydd.....	Micro protection.....			
	32	1		1136-0281-01	Skyddslock.....	Protection cover.....			
	33	1		1136-0186-01	Brytararm.....	Switch lever.....			
	34	1		1136-0007-01	Axel.....	Pin.....			
	35	1		9847-8013-16	Skruv.....	Screw.....			
	36	1		1136-0282-01	Brytarskydd.....	Micro protection.....			
	37	1		1136-0283-01	Skyddslock.....	Protection cover.....			
	38	2		9847-8019-16	Skruv.....	Screw.....			

A



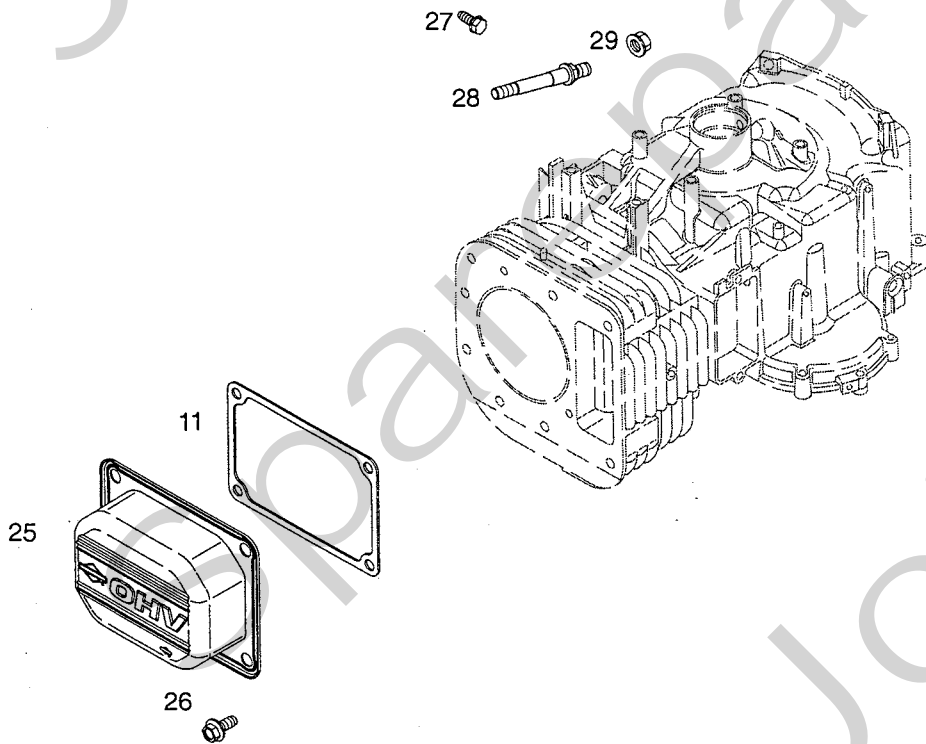
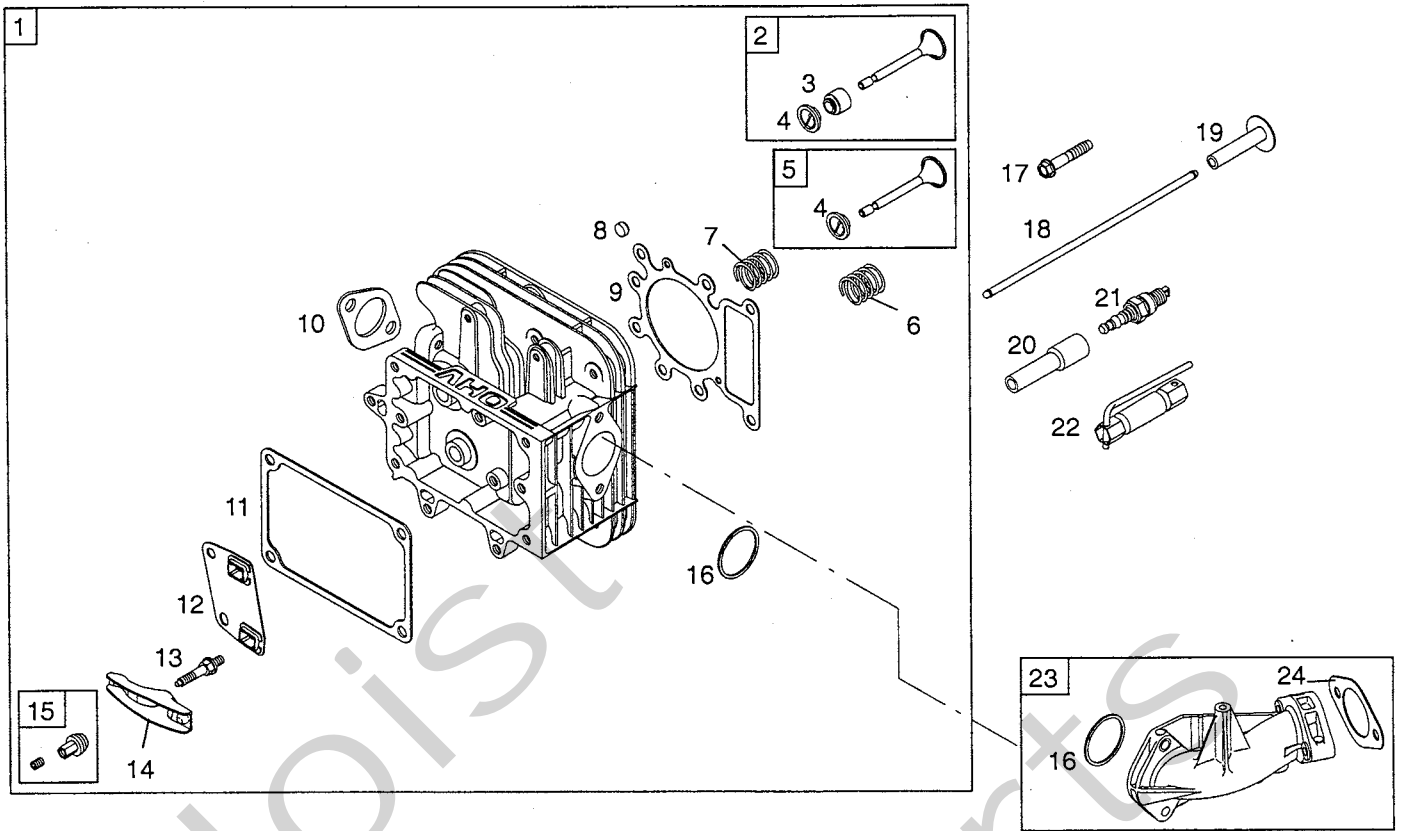
Utgåva Issue		Bildnr Picture No		BRIGGS & STRATTON 31G777 CYLINDER (A)		BRIGGS & STRATTON 31G777 CYLINDER (A)		Sida Page	
2004-13		1565						216	
Pos. Fig.	Antal/Quantity			Art nr Part No	Benämning	Description	Sats Kit	Anmärkning Notes	
	31G 777- 0120								
A01	1			697446	Kåpa	Cover			
A02	1			698083	Filter	Filter			
A03	1			697015	Förfilter	Pre cleaner filter			
A04	1			698803	Fläkthus	Blower housing			
A05	1			691658	Skruv	Screw			
A06	1			697135	• Spärr	• Latch			
A07	1			697125	Stöd	Support			
A08	1			697133	Roterande skydd	Rotating screen			
A09	2			690372	Skruv	Screw			
A10	2			690960	Skruv	Screw			
A11	1			697111	Fläkt	Fan			
A12	1			19203	Avdragare	Puller			
A13	1			693556	Svånghjul	Flywheel		Inkl. pos 14	
A15	1			691265	• Låsring	• Retaining ring			
A16	1			693713	• Drev	• Pinion gear			
A17	1			697174	Cylinder	Cylinder			
A18	1			399265	• Bussning	• Bushing			
A19	1			391086	•• Tätning	•• Seal			
A20	1			697107	Skydd	Cylinder shield			
A21	1			691003	Skruv	Screw			
A22	2			690959	• Tapp	• Locating pin			
A23	1			692407	• Tätning	• Seal			
A24	1			697144	•• Bussning	•• Bushing			
A25	1			697113	Ventilationsrör	Breather tube			
A26	1			697112	Lock	Cover			
A27	1			697109	Packning	Gasket			
A28	1			697124	Ventil	Breather reed			
A29	1			697108	Skydd	Flywheel guard			
A30	1			691003	Skruv	Screw			
A31	4			697897	Skruv	Screw			
A32	2			697102	Skruv	Screw			
A33	1			697103	Skruv	Screw			
A34	1			690582	Bricka	Washer			
A35	1			698401	• Hållare	• Retainer			
A36	2			697104	Skruv	Screw			
A37	2			697157	Skruv	Screw			

A



Utgåva Issue		Bildnr Picture No		BRIGGS & STRATTON 31G777 VEVAXEL (A)		BRIGGS & STRATTON 31G777 CRANKSHAFT (A)		Sida Page	
2004-13		1566						218	
Pos. Fig.	Antal/Quantity			Art nr Part No	Benämning	Description	Sats Kit	Anmärkning Notes	
	31G 777- 0120								
A01	1			697126	Vevstake	Connecting rod		Standard .020" undersize	
A01	1			697263	Vevstake	Connecting rod			
A02	2			692852	• Skruv	• Screw			
A03	1			697099	Kolvbult	Piston pin			
A04	2			698469	• Låsring	• Lock			
A05	1			697159	Kolv kpl.	Piston assy		Standard .010" oversize	
A05	1			697160	Kolv kpl.	Piston assy			
A05	1			697162	Kolv kpl.	Piston assy020" oversize	
A05	1			697163	Kolv kpl.	Piston assy030" oversize	
A06	1			697165	Kolvringsatts	Ring set010" oversize	
A06	1			697171	Kolvringsatts	Ring set020" oversize	
A06	1			697172	Kolvringsatts	Ring set030" oversize	
A06	1			697164	• Kolvringsatts	• Ring set		Standard	
A07	1			698492	Kamaxel	Camshaft			
A08	1			698802	• Låsring	• Retaining ring			
A09	1			691968	Oljekastardrev	Oil slinger			
A10	1			697127	Vevaxel	Crankshaft			
A11	1			697128	• Drev	• Timing gear			
A12	1			691639	• Kil	• Timing key			
A13	1			697188	Vevhus	Engine sump			
A14	1			697110	• Packning	• Gasket			
A15	1			690947	• Tätningsring	• Oil seal			
A16	1			697611	Oljesticka kpl	Oil dipstick assy			
A17	1			697086	• Oljesticka	• Oil dipstick			
A18	1			691031	• O-ring	• O-ring			
A19	1			691032	• Tätning	• Tube seal			
A20	1			690946	• Avtappningsplugg	• Oil drain plug			
A21	8			692125	Skruv	Screw			
A22	1			222698	Kil	Key			
A23	1			697134	Motvikt	Counterweight			
A24	2			697156	• Plugg	• Plug			
A25	1			697184	• Oljerör	• Dipstick tube			
A26	1			690770	• Oljepumpnät	• Oil pump screen			
A27	1			491710	• Kula	• Ball			
A28	1			690283	Oljvattappningsplugg	Oil drain plug			
A29	1			499613	Oljepumplock	Oil pump cover			
A30	1			499054	Oljepump	Oil pump			
A31	1			690589	• O-ringstättning	• O-ring seal			
A32	1			492932	Oljefilter	Oil filter			
A33	1			697607	• Länk	• Link			
A34	3			691033	Skruv	Screw			
A35	1			693784	Oljepumpaxel	Oil pump shaft			
A36	1			697392	• Axel	• Pin			

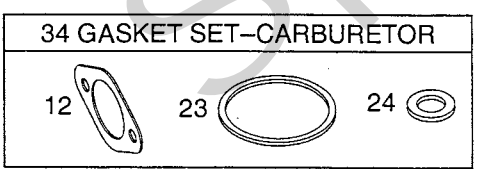
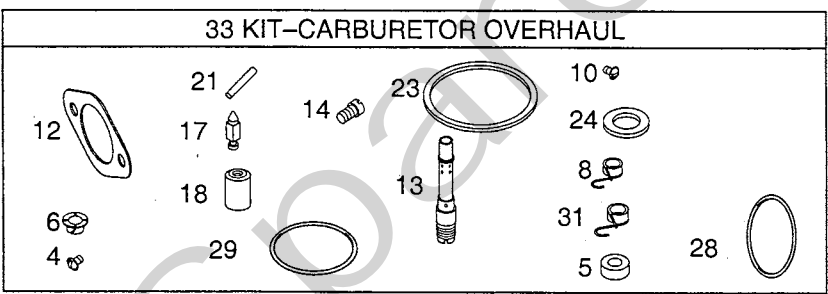
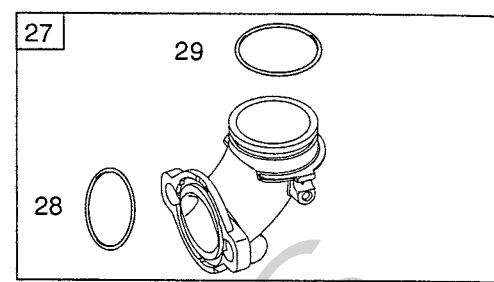
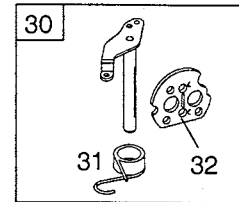
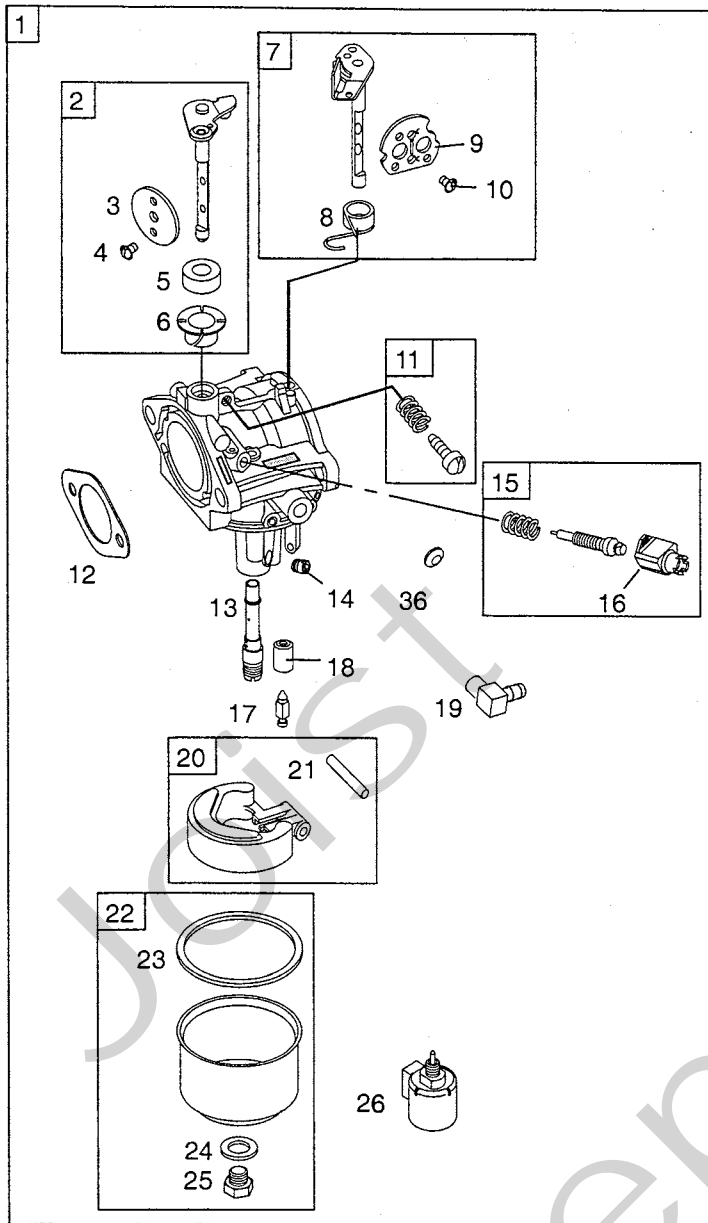
A



Utgåva Issue 2004-13	Bildnr Picture No 1567	BRIGGS & STRATTON 31G777 TOPPLOCK (A)	BRIGGS & STRATTON 31G777 CYLINDER HEAD (A)	Sida Page 220
----------------------------	------------------------------	---	--	---------------------

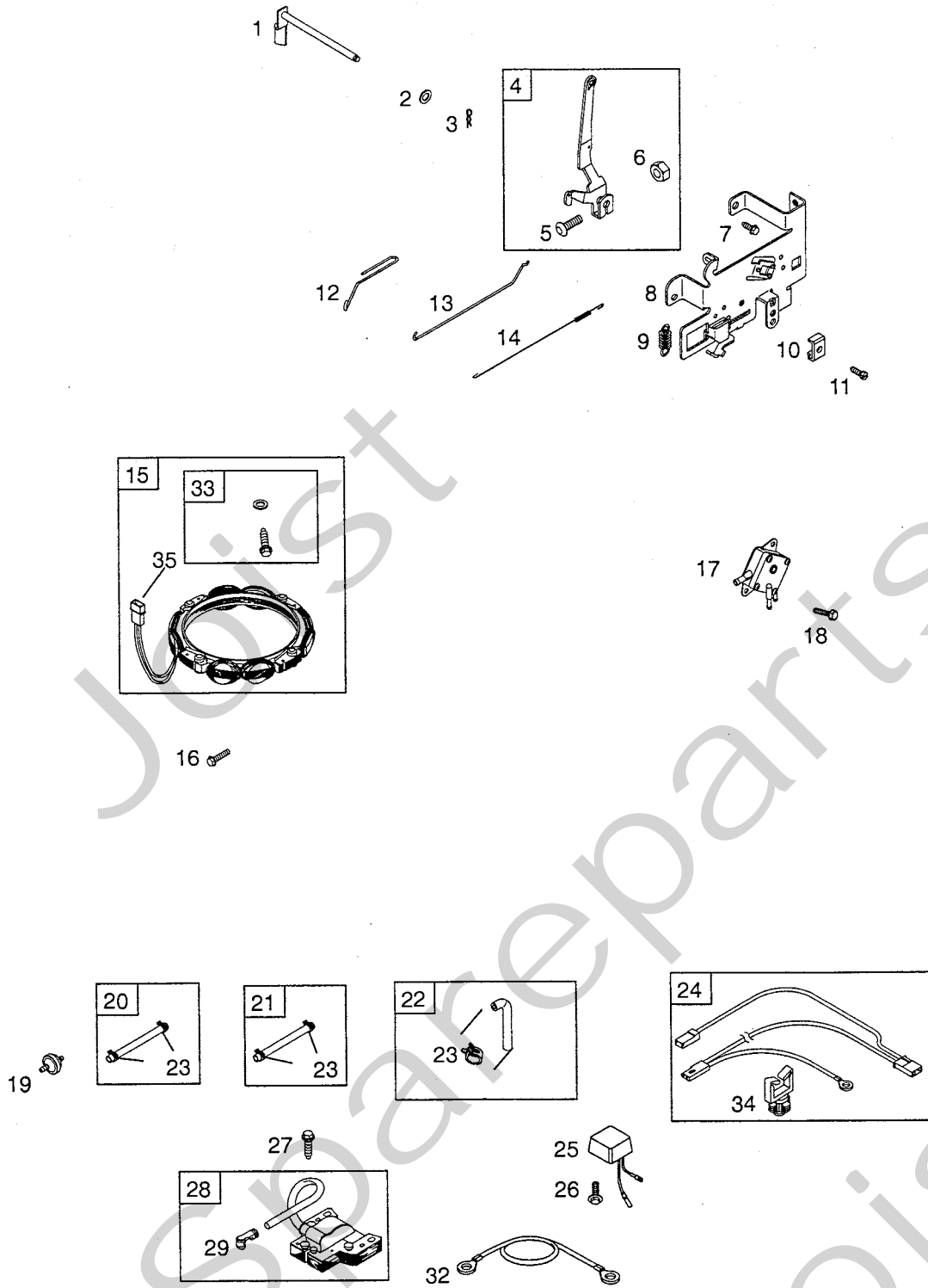
Pos. Fig.	Antal/Quantity				Art nr Part No	Benämning	Description	Sats Kit	Anmärkning Notes
	31G 777- 0120								
A01	1				698147	Topplöck	Cylinder head		
A02	1				695761	• Insugningsventil	• Intake valve		
A03	1				690968	• Ventilätning	• Valve seal		
A04	2				691752	• Ventilhållare	• Valve retainer		
A05	1				695760	• Utblåsningsventil	• Exhaust valve		
A06	1				691279	• Ventilfjäder	• Valve spring		
A07	1				691279	• Ventilfjäder	• Valve spring		
A08	1				691843	• Ventilhuv	• Valve cap		
A09	1				692410	• Packning	• Gasket		
A10	1				692236	• Packning	• Gasket		
A11	1				272475	• Packning	• Gasket		
A12	1				690822	• Stötstångsstyrning	• Push rod guide		
A13	4				691095	• Pinnbult	• Stud		
A14	2				691751	• Vipparm	• Rocker arm		
A15	2				691986	• Vipparmsjustering	• Rocker arm adjuster		
A16	1				692138	• O-ring	• O-ring		
A17	8				690360	Skruv	Screw		
A18	1				692003	Stötstång- insug	Push rod- intake		
A18	1				692011	Stötstång- utblås	Push rod- exhaust		
A19	2				690564	Ventilyftare	Valve tappet		
A20	1				691909	Tändstiftshylsa	Spark plug boot		
A21	1				9400-0244-00	Tändstift	Spark plug		
A22	1				89838	Tändstiftsnyckel	Spark plug wrench		
A23	1				690193	Insugningsrör	Intake manifold		
A24	1				692137	• Packning	• Gasket		
A25	1				692492	Ventilkåpa	Rocker cover		
A26	4				690960	Skruv	Screw		
A27	2				691148	Skruv	Screw		
A28	2				690227	Pinnbult	Stud		
A29	2				690958	Mutter	Nut		

A



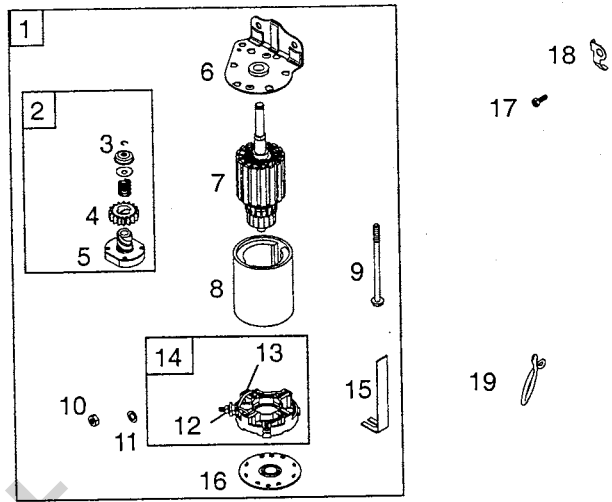
Utgåva Issue		Bildnr Picture No		BRIGGS & STRATTON 31G777 FÖRGASARE (A)		BRIGGS & STRATTON 31G777 CARBURETTOR (A)		Sida Page	
2004-13		1568						222	
Pos. Fig.	Antal/Quantity			Art nr Part No	Benämning	Description	Sats Kit	Anmärkning Notes	
	31G 777- 0120								
A01	1			697190	Förgasare kpl.....	Carburettor assy			
A02	1			494379	• Spjällaxel	• Shaft			
A03	1			691750	•• Spjäll	•• Throttle valve.....			
A04	2			691636	•• Skruv	•• Screw			
A05	1			691326	•• Axeltätning	•• Shaft seal			
A06	1			690602	•• Axelbussning	•• Shaft bushing			
A07	1			495097	• Chokeaxel	• Choke shaft			
A08	1			690801	•• Fjäder o tätning	•• Spring and seal			
A09	1			690464	•• Chokespjäll	•• Choke valve			
A10	2			691636	•• Skruv	•• Screw			
A11	1			495800	• Justerskruv	• Idle adjust screw			
A12	1			692137	• Packning	• Gasket			
A13	1			697140	• Munstycke	• Nozzle			
A14	1			694352	• Huvudmunstycke	• Main jet			
A15	1			498030	• Nålventil	• Needle valve			
A16	1			691333	•• Begränsningshuv	•• Limiter cap			
A17	1			231855	• Nålventil	• Inlet needle valve			
A18	1			690577	• Säte	• Inlet seat			
A19	1			698174	• Nippel	• Hose connector			
A20	1			494381	• Flottör	• Float			
A21	1			690525	•• Flottöraxel	•• Float hinge pin			
A22	1			495933	• Flottörhus	• Bowl			
A23	1			281165	•• Packning	•• Gasket			
A24	1			692255	•• Tätningsbricka	•• Sealing washer			
A25	1			691657	•• Skruv	•• Float bowl screw			
A26	1			694393	• Solenoid	• Solenoid			
A27	1			697122	• Insugningsrör	• Intake elbow			
A28	1			691917	• O-ring	• O-ring			
A29	1			697123	• O-ring	• O-ring			
A30	1			495931	• Chokeaxel	• Choke shaft			
A31	1			690802	• Fjäder o tätning	• Spring and seal			
A32	1			692344	• Chokespjäll	• Choke valve			
A33	1			697241	• Rep.sats- förgasare	• Carb. overhaul kit			
A34	1			690192	• Packn.sats- förg	• Gasket set- carb.			
A35	1			697228	• Huvudmunstycke	• Main jet		High altitude	
A36	1			695005	• Expansionsplugg	• Welch plug			

A

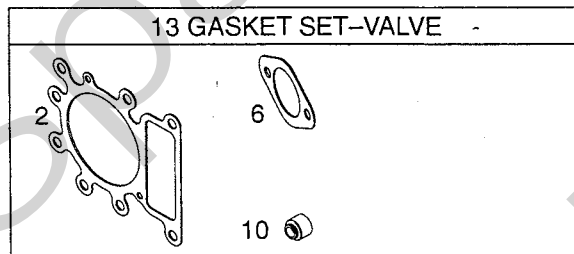
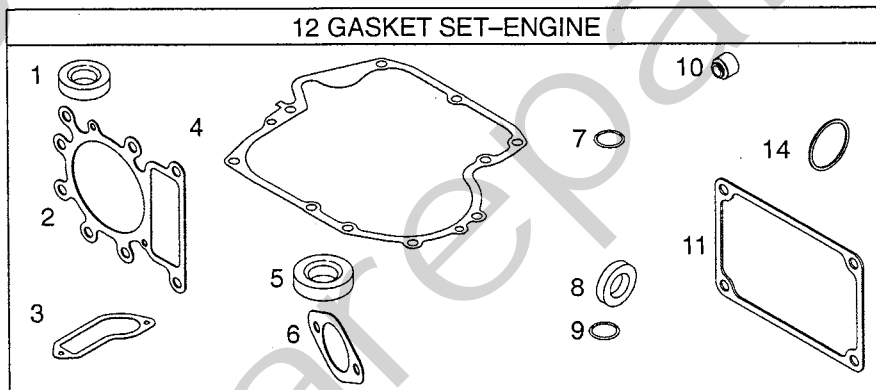


Utgåva Issue		Bildnr Picture No		BRIGGS & STRATTON 31G777 REGULATOR (A) TÄNDNING (A)		BRIGGS & STRATTON 31G777 GOVERNOR (A) IGNITION (A)		Sida Page	
2004-13		1569						224	
Pos. Fig.	Antal/Quantity			Art nr Part No	Benämning	Description	Sats Kit	Anmärkning Notes	
	31G 777- 0120								
A01	1			692012	Regulatoraxel.....	Governor crank			
A02	1			691691	Bricka	Washer			
A03	1			691620	Låsnål	Cotter pin			
A04	1			691374	Regulatorarm.....	Governor lever			
A05	1			691119	• Bult	• Bolt			
A06	1			691251	• Mutter.....	• Nut			
A07	2			691693	Skruv	Screw			
A08	1			694042	Reglageplåt.....	Control bracket			
A09	1			691795	Regulatorfjäder.....	Governor spring			
A10	1			691024	Klämma	Clamp.....			
A11	1			690804	Skruv	Screw			
A12	1			691840	Chokelänk.....	Choke link			
A13	1			691841	Regulatorlänk	Governor link			
A14	1			691842	Fjäder.....	Spring			
A15	1			696458	Generator.....	Alternator			
A16	4			691183	Skruv	Screw			
A17	1			697090	Bränslepump	Fuel pump			
A18	2			694476	Skruv	Screw			
A19	1			298090	Bränslefilter	Fuel filter			
A20	1			691050	Bränsleslang	Fuel line.....			
A21	1			697091	Vakumslang	Vacuum hose			
A22	1			697098	Bränsleslang	Fuel line.....			
A23	6			95162	• Slangklämma	• Hose clamp			
A24	1			692037	Kablage.....	Wiring harness.....			
A25	1			691185	Regulator.....	Regulator			
A26	1			697348	Skruv	Screw			
A27	2			691061	Skruv	Screw			
A28	1			492341	Tändsystem	Armature magneto			
A29	1			692424	• Anslutningskontakt	• Terminal			
A32	1			697089	Kabel	Stop wire.....			
A33	1			698516	• Skruv/bricka	• Screw/washer kit.....			
A34	1			691335	• Kabelklämma	• Wire clip			
A35	1			399916	• Anslutning	• Connector			

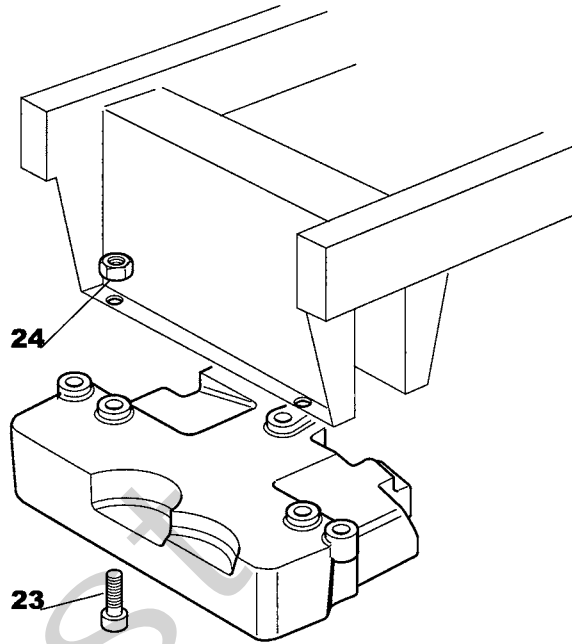
A



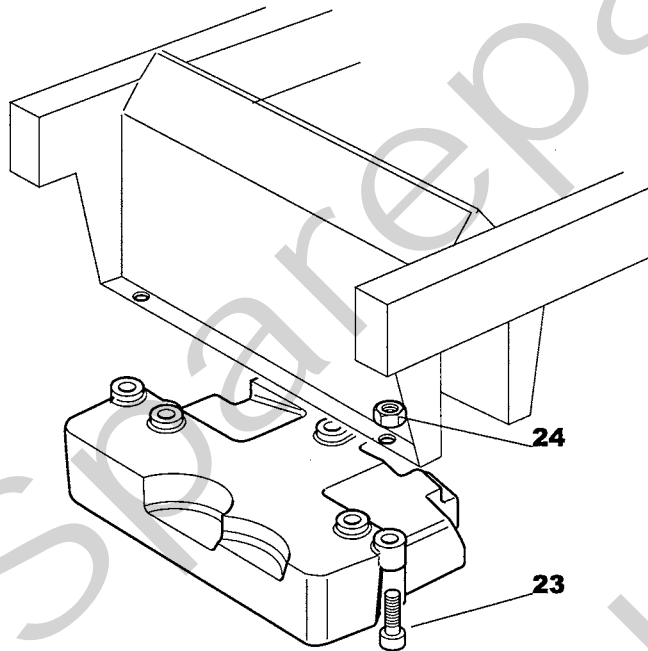
B



Utgåva Issue		Bildnr Picture No		BRIGGS & STRATTON 31G777 STARTMOTOR (A) PACKNINGSSATS (B)		BRIGGS & STRATTON 31G777 STARTER MOTOR (A) GASKET SET (B)		Sida Page 226	
Pos. Fig.	Antal/Quantity			Art nr Part No	Benämning	Description	Sats Kit	Anmärkning Notes	
	31G 777- 0120								
A01	1			693551	Startmotor kpl	Starter motor assy			
A02	1			693699	• Startdrev	• Starter drive			
A03	1			691265	•• Låsring	•• Retaining ring			
A04	1			693713	•• Drev	•• Pinion gear			
A05	1			692024	•• Koppling	•• Drive clutch			
A06	1			691283	• Lock	• Drive cap			
A07	1			692034	• Rotor	• Armature			
A08	1			693757	• Startmotorhus	• Starter housing			
A09	2			690323	• Bult	• Bolt			
A10	1			691029	• Mutter	• Nut			
A11	1			691261	• Bricka	• Washer			
A12	1			693167	•• Mutter	•• Nut			
A13	1			497608	• Släpklössats	•• Brush set			
A14	1			691293	• Borsthållare	• Brush retainer			
A15	1			691532	• Stag	• Strap			
A16	1			691286	• Botten	• End cap			
A17	1			690372	Skruv	Screw			
A18	1			691224	Kabelklämma	Wire clip			
A19	1			694123	Kabelklämma	Wire clip			
B01	1			391086	• Tätningsring	• Seal			
B02	1			692410	• Packning	• Gasket			
B03	1			697109	• Packning	• Gasket			
B04	1			697110	• Packning	• Gasket			
B05	1			690947	• Tätningsring	• Oil seal			
B06	1			692137	• Packning	• Gasket			
B07	1			691032	• Tätning	• Tube seal			
B08	1			692407	• Tätning	• Seal			
B09	1			691031	• O- ring	• O- ring			
B10	1			690968	• Ventilätning	• Valve seal			
B11	1			272475	• Packning	• Gasket			
B12	1			697191	Packningssats	Gasket set			
B13	1			690190	Rep.sats-ventil	Overhaul kit- valve			
B14	1			692138	• O- ring	• O- ring			

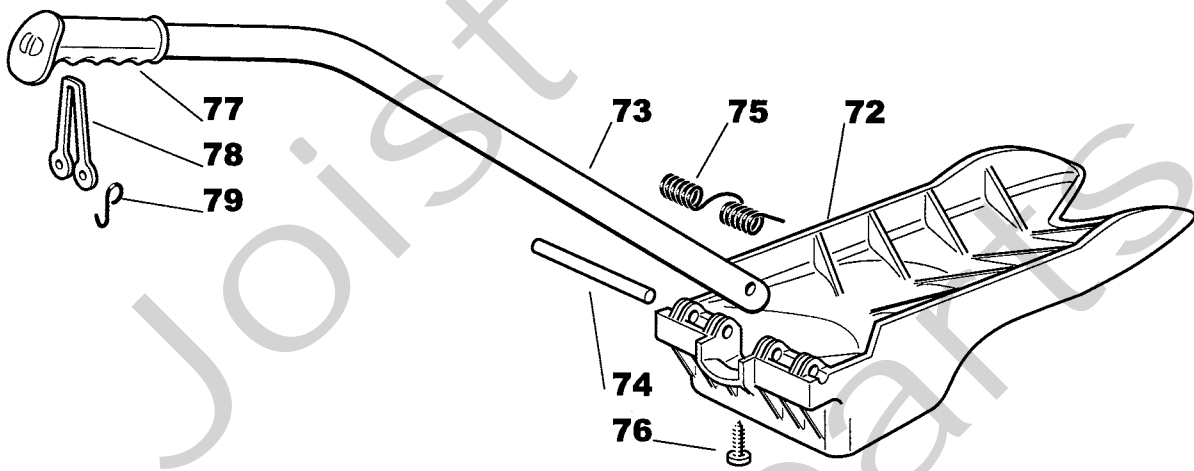


Estate Senator - President - Royal - Pro 22

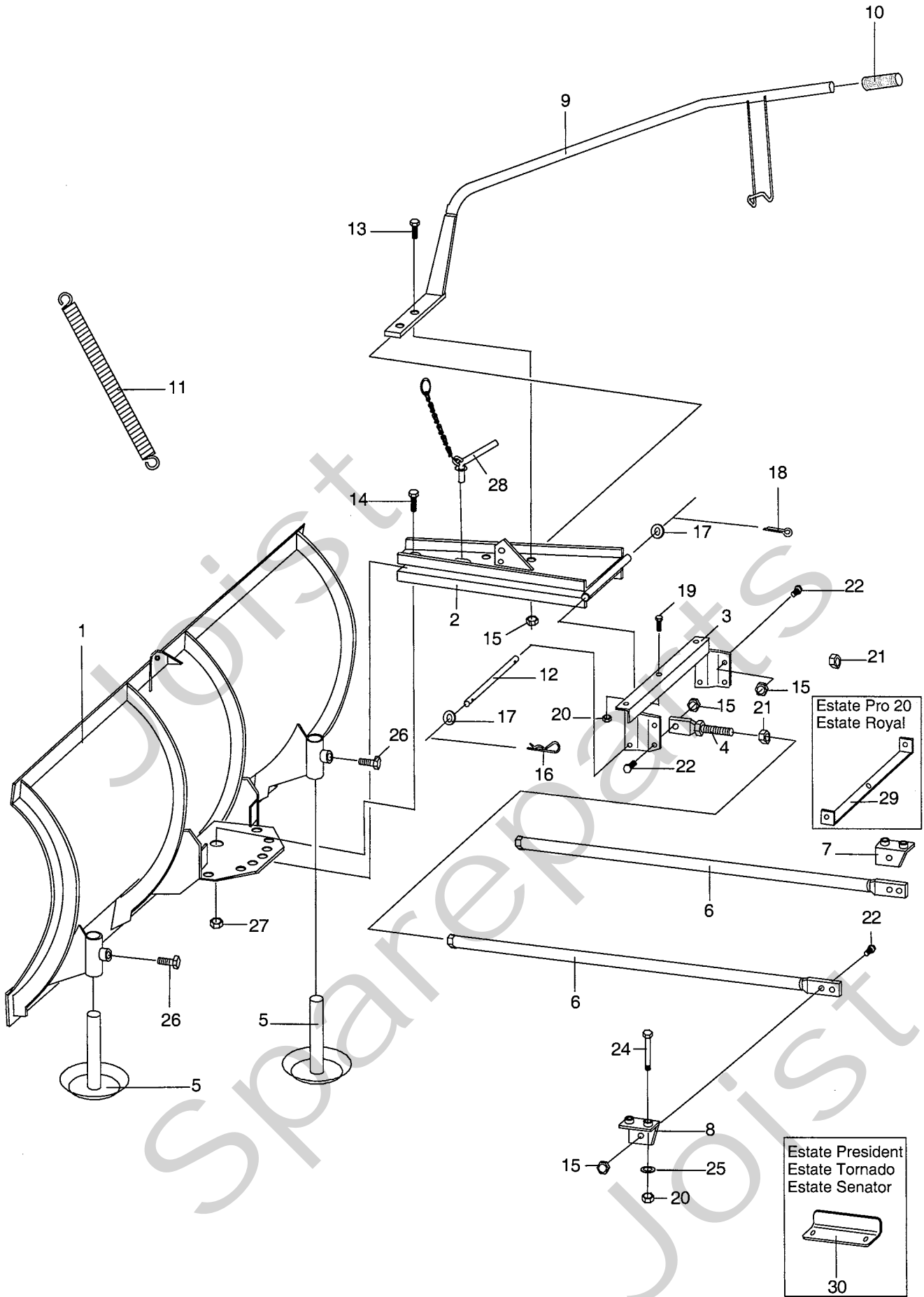




Utgåva Issue		Bildnr Picture No		FRONTVIKT ART.NR 13-0912-11		FRONT WEIGHT ART.NO 13-0912-11		Sida Page	
2004-13		1253B						148	
Pos. Fig.	Antal/Quantity			Art nr Part No	Benämning	Description	Sats Kit	Anmärkning Notes	
	0912								
23	3			9939-0850-12	Skruv	Screw			
24	3			9747-0831-02	Mutter.....	Lock nut.....			

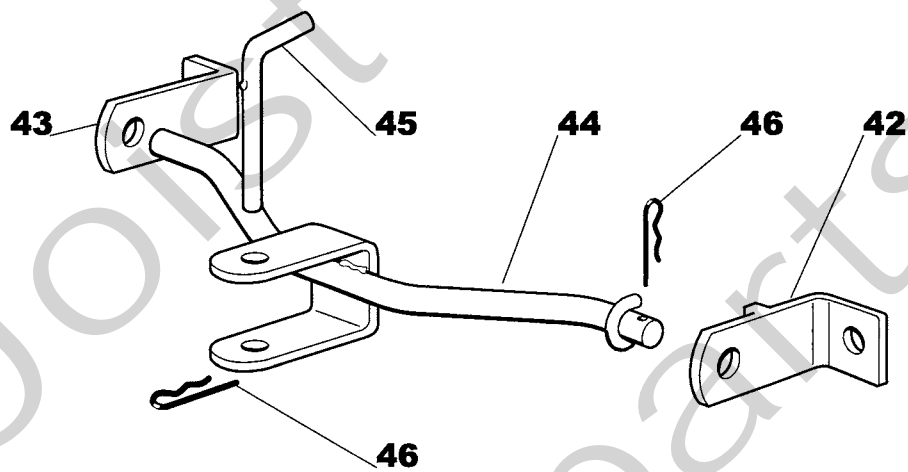


Utgåva Issue 2004-13		Bildnr Picture No 1452		MULCHINGSATS ART.NR 13-0927-11 ART.NR 13-0932-11		MULCHING KIT ART.NO 13-0927-11 ART.NO 13-0932-11		Sida Page 162	
Pos. Fig.	Antal/Quantity			Art nr Part No	Benämning	Description	Sats Kit	Anmärkning Notes	
	0927	0932							
72	1			1136-0874-01	Deflektor	Deflector			
72		1		1136-0875-01	Deflektor	Deflector			
73	1	1		1136-0887-01	Handtagsrör	Handle tube			
74	1	1		1136-0903-01	Sprint	Pin			
75	1	1		1136-0893-01	Fjäder	Spring			
76	1	1		9836-9525-12	Skruv	Screw			
77	1	1		1136-0882-01	Handtag	Handgrip			
78	1	1		1136-0927-01	Elastiskt band	Elastic tie			
79	2	2		1136-0877-01	Krok	Hook			

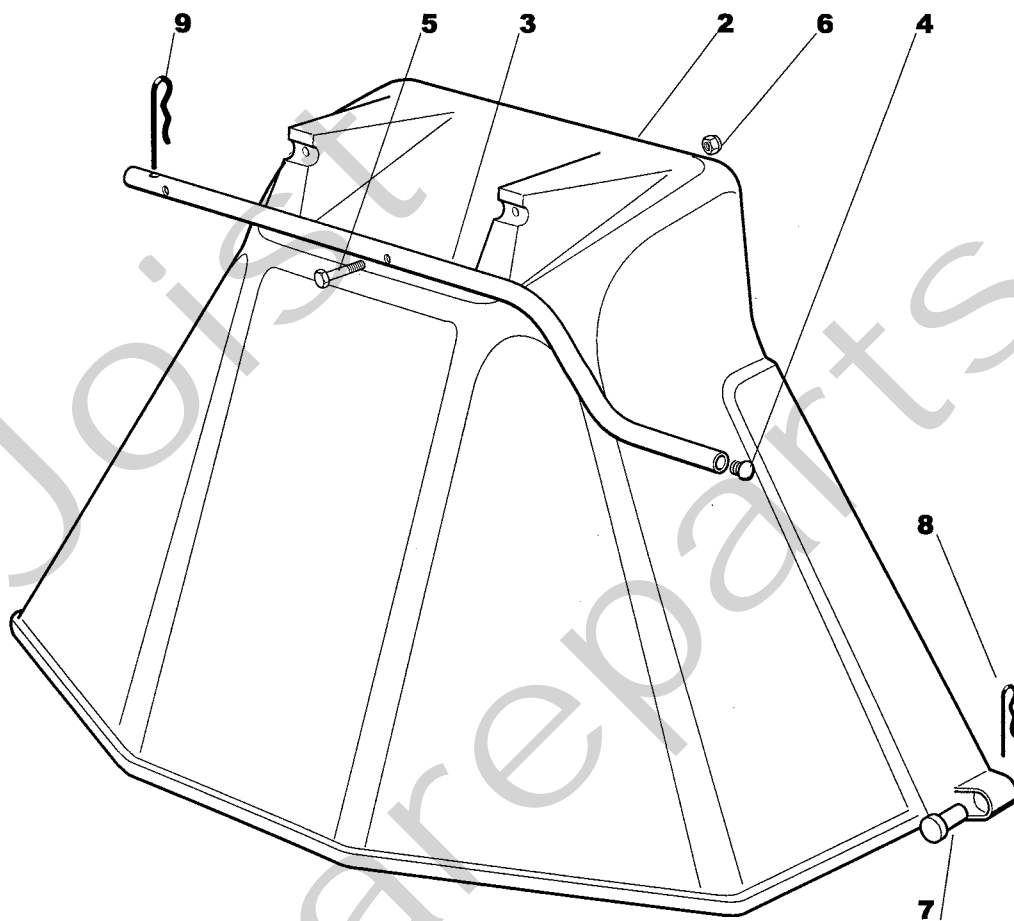


STIGA
1453
 SPARE PARTS

Utgåva Issue		Bildnr Picture No		SNÖBLAD (120 cm) ART.NR 13-0924-11	SNOW BLADE (120 cm) ART.NO 13-0924-11	Sida Page		
2004-13		1453				168		
Pos. Fig.	Antal/Quantity			Art nr Part No	Benämning	Description	Sats Kit	Anmärkning Notes
	0924							
1	1			1319-1528-01	Blad	Blade		
2	1			1319-1812-01	Bladfäste	Blade holder		
3	1			1319-1816-01	Ram	Frame		
4	2			1319-1817-01	Skruv	Screw		
5	2			1319-1526-01	Släpsko	Skid		
6	2			1319-1818-01	Stag	Rod		
7	1			1319-1819-01	Stagfäste	Rod bracket		
8	1			1319-1820-01	Stagfäste	Rod bracket		
9	1			1319-1815-01	Lyftarm	Lift rod		
10	1			1319-1822-01	Handtag	Grip		
11	1			1319-1527-01	Fjäder	Spring		
12	1			1319-1821-01	Axel	Shaft		
13	2			9997-1030-16	Skruv	Screw		
14	1			1319-1551-01	Skruv	Screw		
15	8			9747-1031-02	Låsmutter	Lock nut		
16	1			1319-1692-01	Låsnål	Spring pin		
17	2			9699-0037-02	Bricka	Washer		
18	1			1319-1811-01	Saxpinne	Cotter pin		
19	3			9997-0816-16	Skruv	Screw		
20	7			9747-0831-02	Mutter	Lock nut		
21	2			9747-1031-02	Låsmutter	Lock nut		
22	6			9997-1025-16	Skruv	Screw		
24	4			9997-0880-16	Skruv	Screw		
25	4			9699-0028-02	Planbricka	Flat washer		
26	2			9997-1220-16	Skruv	Screw		
27	1			9747-1631-02	Låsmutter	Lock nut		
28	1			1319-1531-01	Sprint	Pin		
29	1			1319-1813-01	Monteringsfäste	Mounting plate		
30	1			1319-1814-01	Monteringsfäste	Mounting plate		

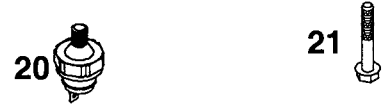
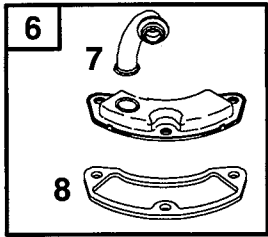
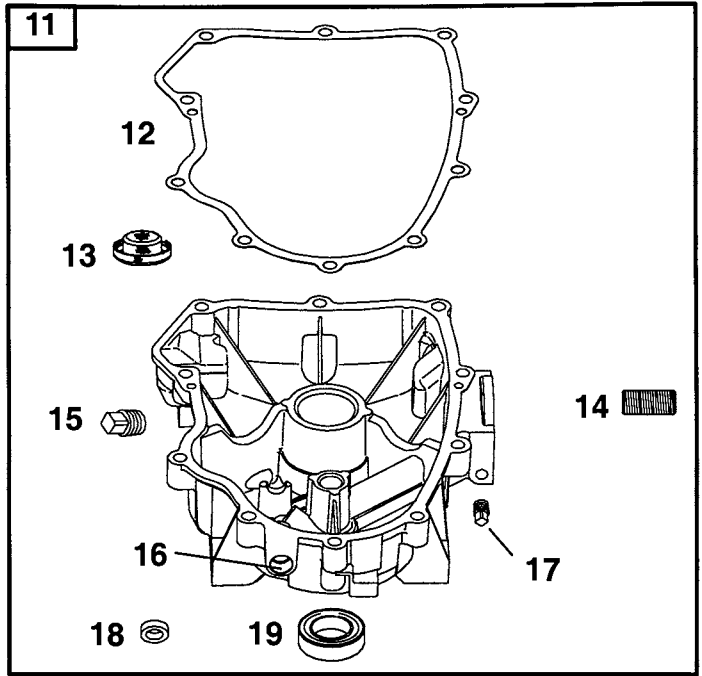
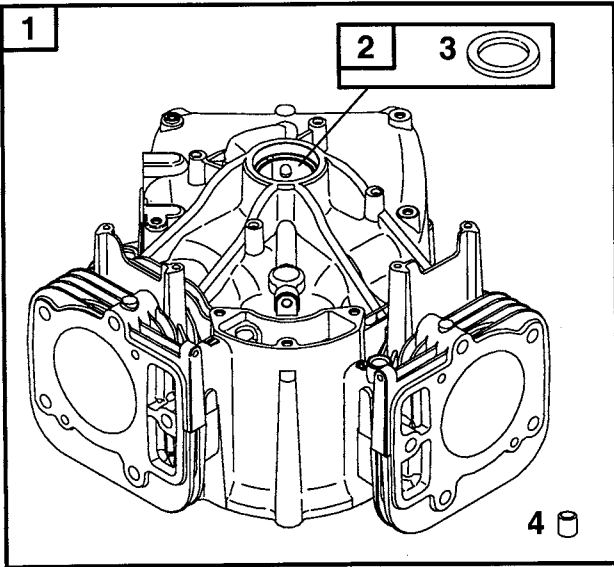


Utgåva Issue		Bildnr Picture No		DRAG ART.NR 13- 0913- 11		TOW BAR ART.NO 13- 0913- 11		Sida Page	
2004- 13		1252						166	
Pos. Fig.	Antal/Quantity			Art nr Part No	Benämning	Description	Sats Kit	Anmärkning Notes	
	0913								
42	1			1136-0527-01	Vinkelfäste- hö	Bracket- RH			
43	1			1136-0323-01	Vinkelfäste- vä	Bracket- LH			
44	1			1136-0464-01	Dragstång	Tow rod			
45	1			1136-0228-01	Dragsprint	Tow pin			
46	2			1136-0096-01	Låsnål	Hair pin			

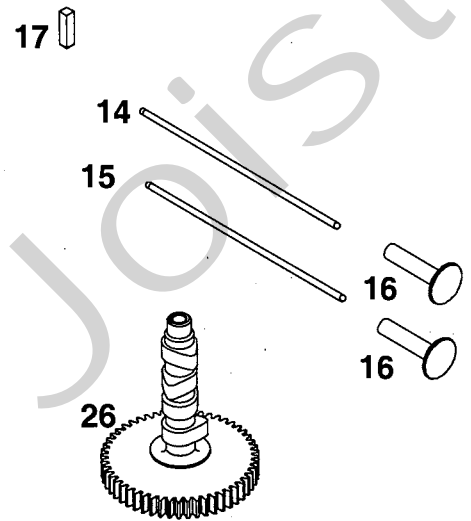
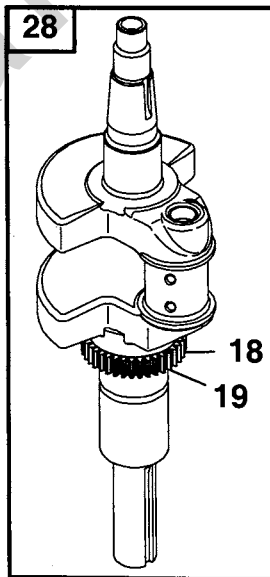
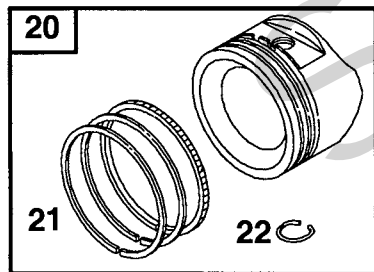
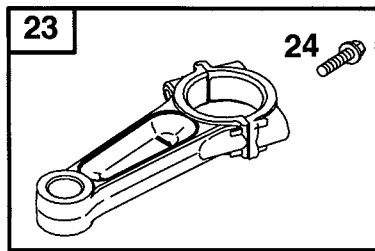
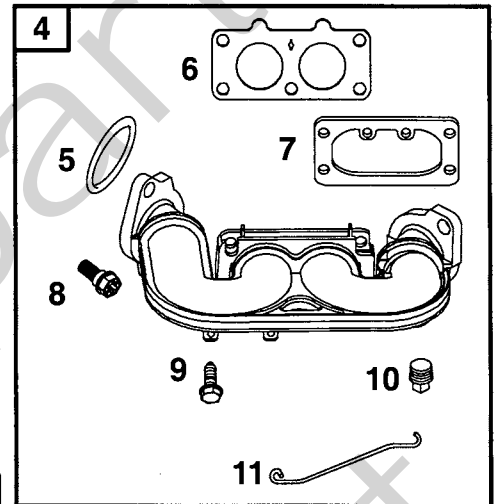
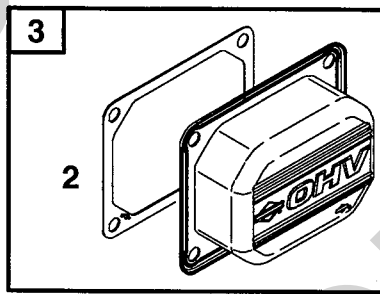
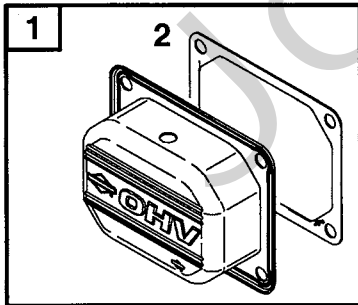


Utgåva Issue		Bildnr Picture No		DEFLEKTOR ART.NR 13-0911-11		DEFLECTOR ART.NO 13-0911-11		Sida Page	
2004-13		1250						154	
Pos. Fig.	Antal/Quantity			Art nr Part No	Benämning	Description	Sats Kit	Anmärkning Notes	
	0911								
2	1			1136-0505-01	Utkastskydd.....	Ejection guard.....			
3	1			1136-0357-01	Stödrör.....	Support.....			
4	2			1136-0061-01	Plugg.....	Cap.....			
5	2			9997-0645-12	Skruv.....	Screw.....			
6	2			9747-0631-02	Låsmutter.....	Lock nut.....			
7	2			1136-0229-01	Sprint.....	Pin.....			
8	2			9598-0002-02	Låsnål.....	Pin lock.....			
9	1			1136-0096-01	Låsnål.....	Hair pin.....			

A

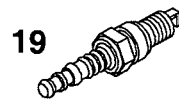
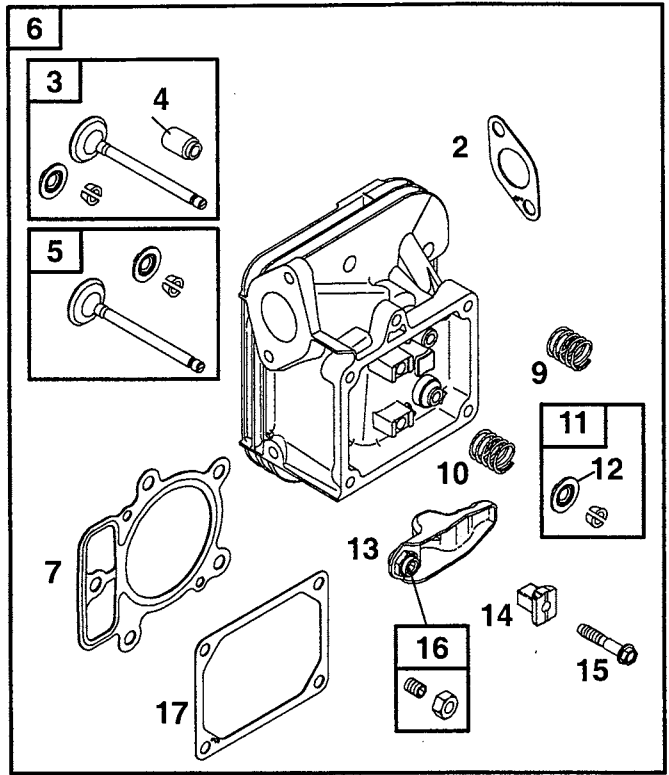
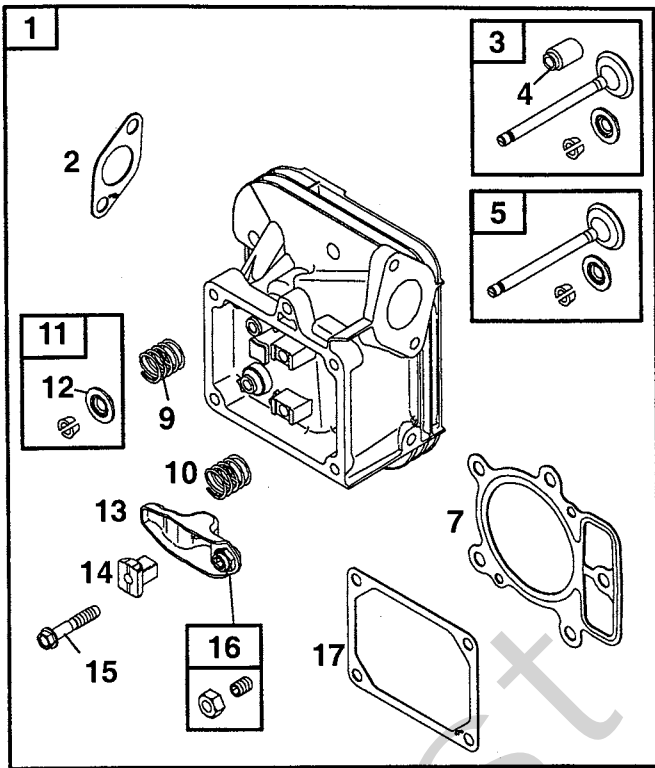


B

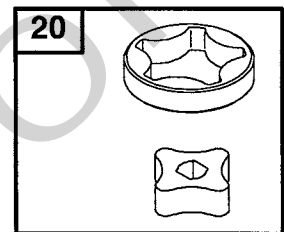
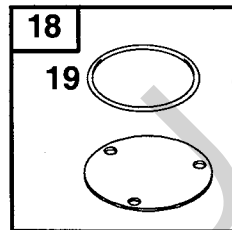
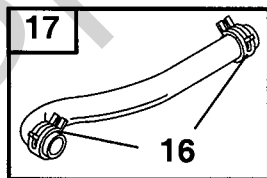
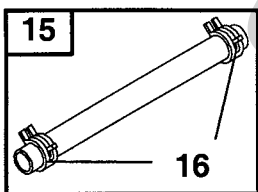
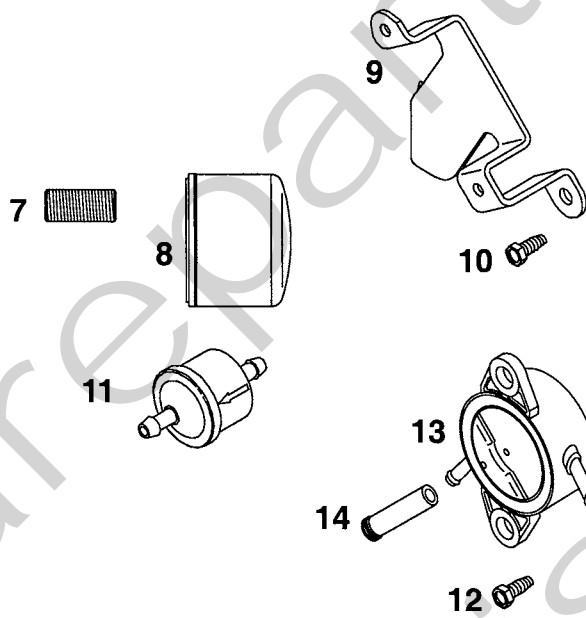
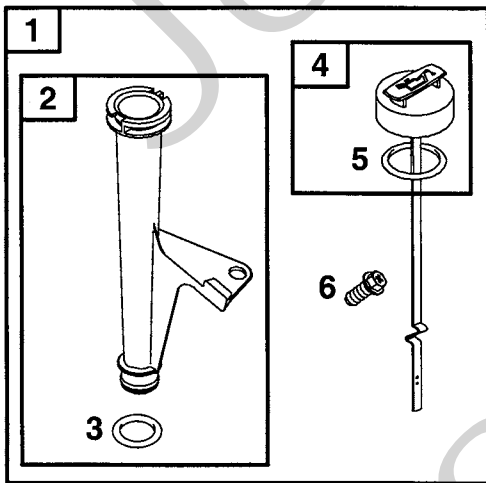


Utgåva Issue		Bildnr Picture No		BRIGGS & STRATTON 407777 CYLINDER (A) VEVAXEL (B)		BRIGGS & STRATTON 407777 CYLINDER (A) CRANKSHAFT (B)		Sida Page	
2004-13		1462						228	
Pos. Fig.	Antal/Quantity			Art nr Part No	Benämning	Description	Sats Kit	Anmärkning Notes	
	407 777- 0117								
A01	1			690231	Cylinder kpl.....	Cylinder assy.....			
A02	1			499585	• Bussning.....	• Bushing.....			
A03	1			391086	• Tätningsring.....	• Seal.....			
A04	2			690959	• Tapp.....	• Locating pin.....			
A05	3			690960	Skruv.....	Screw.....			
A06	1			499601	Ventil kpl.....	Breather assy.....			
A07	1			690942	• Rör.....	• Breather tube.....			
A08	1			690937	• Packning.....	• Gasket.....			
A09	1			690956	Oljesamlare.....	Oil collector.....			
A10	1			690957	Hållare.....	Breather retainer.....			
A11	1			690069	Vevhus kpl.....	Engine sump assy.....			
A12	1			690945	• Packning.....	• Gasket.....			
A13	1			690770	• Oljepumpnät.....	• Oil pump screen.....			
A14	1			690954	• Oljefilternippel.....	• Oil filter nipple.....			
A15	1			690946	• Avtappningsplugg.....	• Oil drain plug.....			
A16	1			690552	• Bussning.....	• Bushing.....			
A17	1			690283	• Oljvattappningsplugg.....	• Oil drain plug.....			
A18	1			690657	• Tätning.....	• Governor shaft seal.....			
A19	1			690947	• Tätningsring.....	• Oil seal.....			
A20	1			491657	Oljetrycksgivare.....	Oil pressure switch.....			
A21	10			694966	Skruv.....	Screw.....			
B01	1			499599	Ventilkåpa.....	Rocker arm cover.....			
B02	2			690971	• Packning.....	• Gasket.....			
B03	1			499600	Ventilkåpa.....	Rocker arm cover.....			
B04	1			695241	Insugningsrör.....	Intake manifold.....			
B05	2			691917	• O-ring.....	• O-ring.....			
B06	1			690950	• Packning.....	• Intake gasket.....			
B07	1			691001	• Packning.....	• Air cleaner gasket.....			
B08	4			695240	• Skruv.....	• Screw.....			
B09	2			695239	• Skruv.....	• Screw.....			
B10	1			690283	• Oljvattappningsplugg.....	• Oil drain plug.....			
B11	1			695238	• Spjällänk.....	• Throttle link.....			
B12	4			690958	Mutter.....	Nut.....			
B13	4			690951	Pinnbult.....	Stud.....			
B14	2			690981	Stötstång (stål).....	Push rod (steel).....			
B15	2			690982	Stötstång (alum).....	Push rod (alum).....			
B16	4			690977	Ventillyftare.....	Valve tappet.....			
B17	1			222698	Kil.....	Key.....			
B18	1			690979	• Kil.....	• Timing key.....			
B19	1			690980	• Drev.....	• Timing gear.....			
B20	2			499588	Kolv kpl.....	Piston assy.....		Standard	
B20	2			499589	Kolv kpl.....	Piston assy.....		.010" oversize	
B20	2			499590	Kolv kpl.....	Piston assy.....		.020" oversize	
B20	2			499591	Kolv kpl.....	Piston assy.....		.030" oversize	
B21	2			499604	• Kolvringsatts.....	• Ring set.....		Standard	
B21	2			499605	• Kolvringsatts.....	• Ring set.....		.010" oversize	
B21	2			499606	• Kolvringsatts.....	• Ring set.....		.020" oversize	
B21	2			499607	• Kolvringsatts.....	• Ring set.....		.030" oversize	
B22	4			690975	• Låsring.....	• Lock ring.....			
B23	2			499583	Vevstake.....	Connecting rod.....			
B24	4			690976	• Skruv.....	• Screw.....			
B25	2			690229	Kolvbult.....	Piston pin.....			
B26	1			690978	Kamaxel.....	Camshaft.....			
B27	8			691127	Skruv.....	Screw.....			
B28	1			691046	Vevaxel.....	Crankshaft.....			
B29	1			691022	Chokelänk.....	Choke link.....			

A

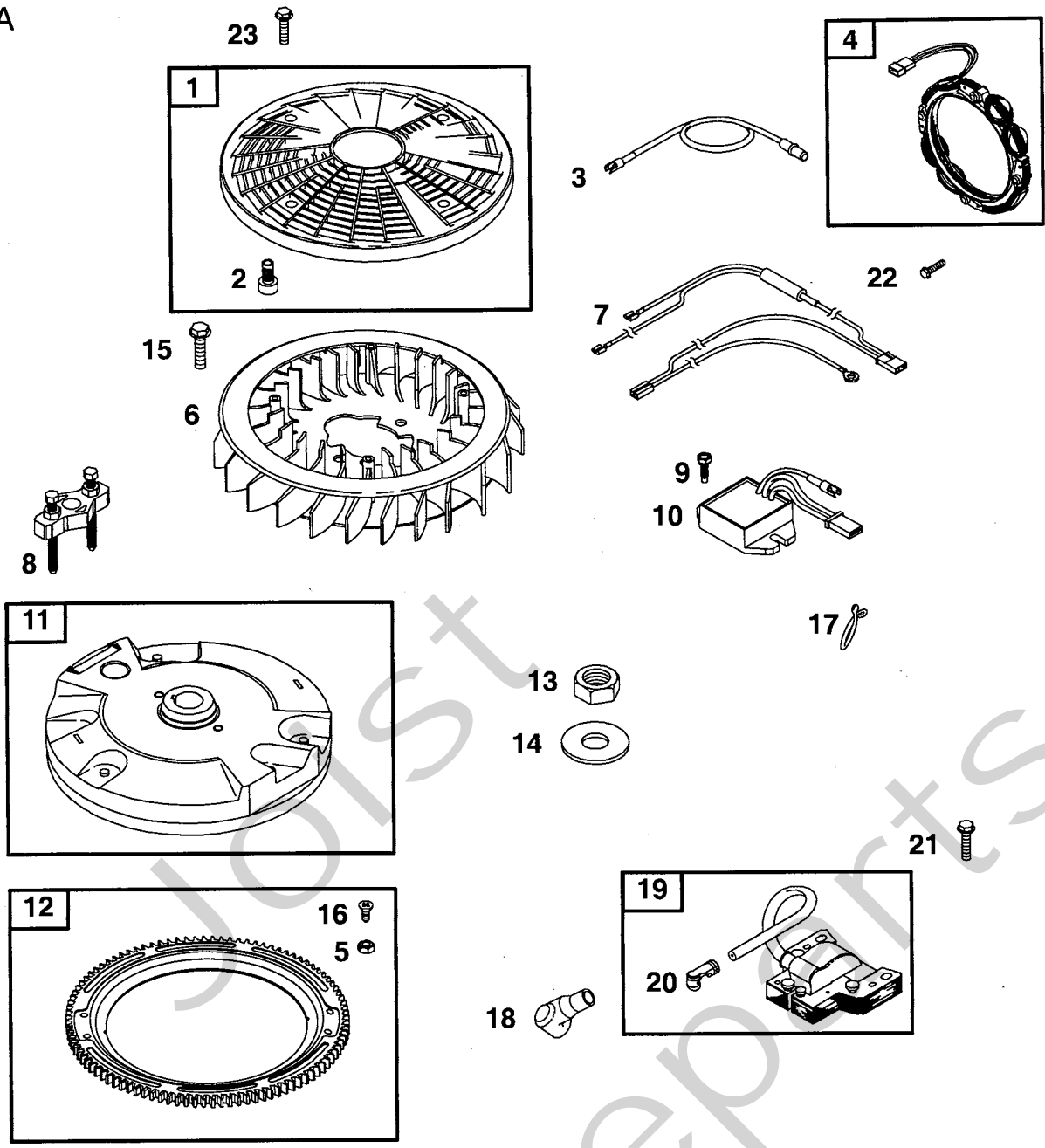


B

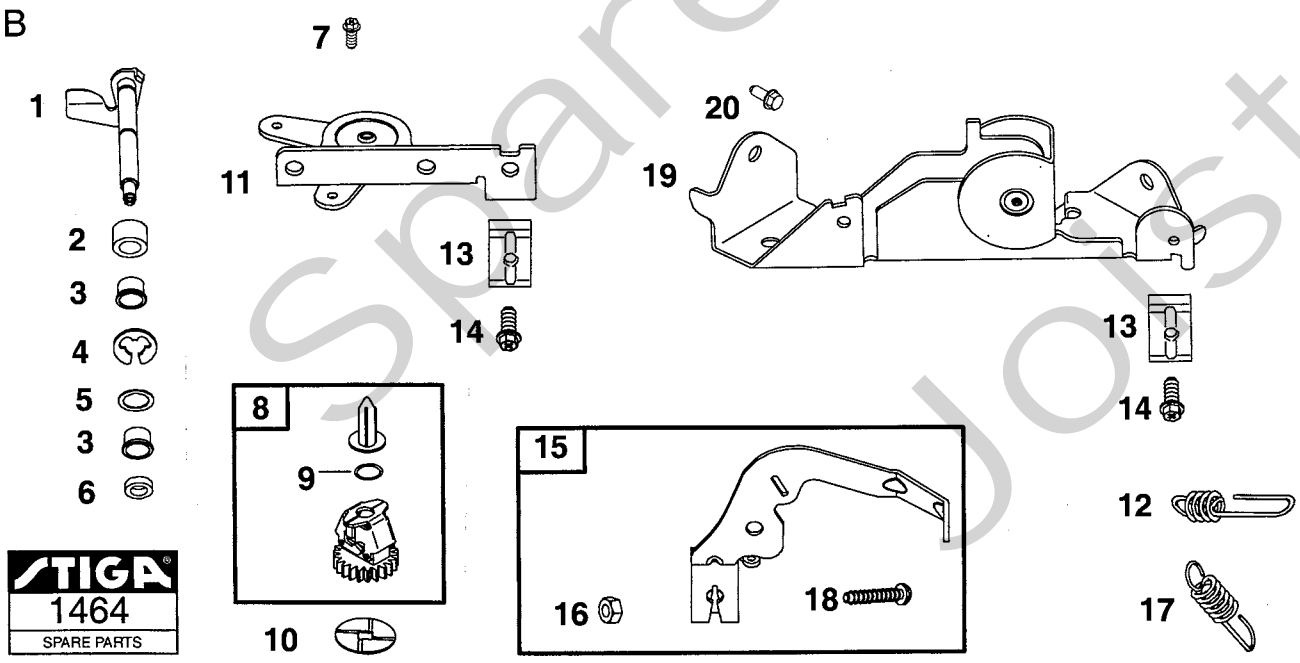


Utgåva Issue		Bildnr Picture No		BRIGGS & STRATTON 407777 TOPPLOCK (A) BRÄNSLE, SMÖRJN. (B)		BRIGGS & STRATTON 407777 CYLINDER HEAD (A) FUEL, LUBRICATION (B)		Sida Page	
2004-13		1463						230	
Pos. Fig.	Antal/Quantity			Art nr Part No	Benämning	Description	Sats Kit	Anmärkning Notes	
	407 777- 0117								
A01	1			693998	Topplock	Cylinder head		Cylinder #1	
A02	2			690970	• Packning- utblås	• Gasket- exhaust			
A03	2			499597	• Insugningsventil	• Intake valve		Cylinder #2	
A04	2			690968	• Ventilätätning	• Valve seal			
A05	2			499596	• Utblåsningsventil	• Exhaust valve			
A06	1			693999	Topplock	Cylinder head			
A07	2			690962	• Topplockspackning	• Cylinder head gasket			
A08	1			19374	Tändstiftsnyckel	Spark plug wrench			
A09	2			690963	• Ventilfjäder	• Valve spring			
A10	2			690963	• Ventilfjäder	• Valve spring			
A11	4			499586	• Ventilhållare	• Valve keeper			
A12	4			690964	• Ventilhållare	• Valve retainer			
A13	4			690972	• Vipparm	• Rocker arm			
A14	4			690973	• Vipparmsstyrning	• Rocker arm pivot			
A15	4			690967	• Skruv	• Screw			
A16	4			690083	• Ventiljustering	• Rocker arm adjuster			
A17	2			690971	• Packning	• Gasket			
A18	10			690360	Skruv	Screw			
A19	2			9400-0244-00	Tändstift	Spark plug			
B01	1			499602	Oljesticka kpl	Dipstick assy			
B02	1			691037	• Oljepåfyllningsrör	• Dipstick tube			
B03	1			691032	• Tätning	• Tube seal			
B04	1			691036	• Oljesticka	• Dipstick			
B05	1			691031	• O- ring	• O- ring			
B06	1			690960	• Skruv	• Screw			
B07	1			690954	Oljefilternippel	Oil filter nipple			
B08	1			492932	Oljefilter	Oil filter			
B09	1			691039	Hållare	Fuel pump bracket			
B10	2			690960	Skruv	Screw			
B11	1			691035	Bränslefilter	Fuel filter			
B12	2			690960	Skruv	Screw			
B13	1			808656	Bränslepump	Fuel pump			
B14	1			694000	Vakumslang	Vacuum hose			
B15	1			691050	Bränsleslang	Fuel line			
B16	4			95162	• Slangklämma	• Hose clamp			
B17	1			693180	Bränsleslang	Fuel line			
B18	1			499613	Oljepumplock	Oil pump cover			
B19	1			690589	• O- ringstätning	• O- ring seal			
B20	1			499054	Oljepump	Oil pump			
B21	3			691033	Skruv	Screw			
B22	1			691042	Pumpaxel	Pump shaft			

A

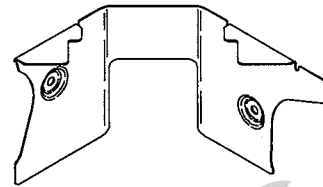
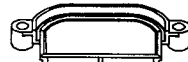
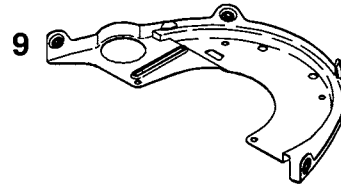
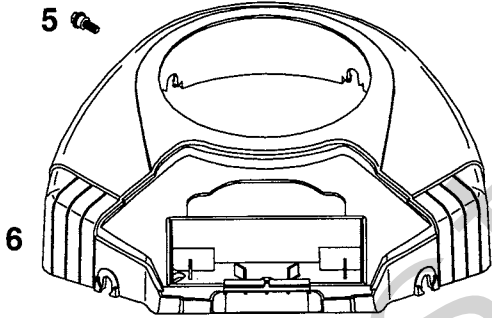
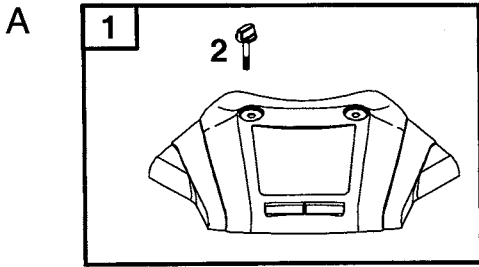


B

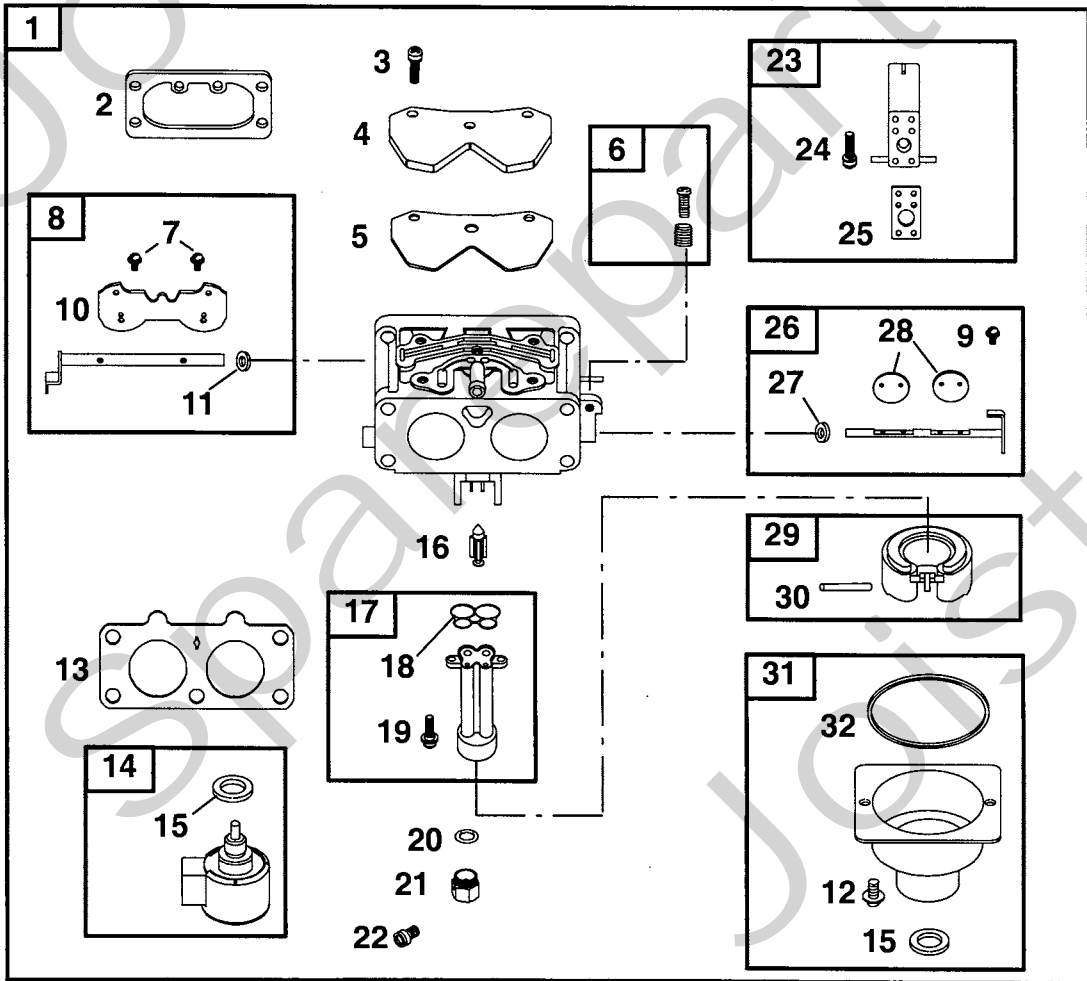


Utgåva Issue 2004-13	Bildnr Picture No 1464	BRIGGS & STRATTON 407777 TÄNDNING (A) REGULATOR (B)	BRIGGS & STRATTON 407777 IGNITION (A) GOVERNOR (B)	Sida Page 232
----------------------------	------------------------------	--	---	---------------------

Pos. Fig.	Antal/Quantity				Art nr Part No	Benämning	Description	Sats Kit	Anmärkning Notes
	407 777- 0117								
A01	1				691055	Skyddsnet.....	Rotating screen.....		
A02	4				691215	• Distans	• Spacer		
A03	1				691208	Kabel	Wire		
A04	1				696458	Generator.....	Alternator		
A05	4				693148	• Mutter	• Nut		
A06	1				691243	Fläkt.....	Flywheel fan		
A07	1				691220	Kablage.....	Wiring harness.....		
A08	1				19203	Avdragare	Puller		
A09	2				690960	Skruv	Screw		
A10	1				691185	Regulator.....	Regulator		
A11	1				691053	Svånghjul.....	Flywheel		
A12	1				499612	Kuggkrans	Ring gear		
A13	1				691059	Mutter.....	Nut		
A14	1				691056	Bricka	Washer.....		
A15	4				691058	Skruv	Screw		
A16	4				693149	• Skruv	• Screw		
A17	1				694123	Kabelklämma	Wire clip.....		
A18	2				66538	Tändstiftsskydd	Spark plug elbow		
A19	1				691060	Tändsystem	Magneto armature.....		
A20	2				493880	• Anslutningshylsa	• Terminal		
A21	2				691061	Skruv	Screw		
A22	4				691183	Skruv	Screw		
A23	4				691057	Skruv	Screw		
B01	1				691045	Regulatorarm.....	Governor crank		
B02	1				690552	Bussning	Bushing.....		
B03	2				690553	Bussning	Bushing.....		
B04	1				690328	Hållare	E-ring retainer		
B05	1				690442	Bricka	Washer.....		
B06	1				690657	Tätning	Governor shaft seal		
B07	2				691003	Skruv	Screw		
B08	1				696376	Regulatordrev.....	Governor gear		
B09	1				690317	Hållare- reg.axel	Gov.shaft retainer.....		
B10	1				690412	Bricka	Washer.....		
B11	1				691021	Chokeregl.platta.....	Choke control brkt		
B12	1				691019	Fjäder.....	Governed idle spring		
B13	2				691024	Klämma	Clamp.....		
B14	2				691044	Skruv	Screw		
B15	1				691048	Regulatorarm.....	Gov. control lever.....		
B16	1				691029	• Mutter	• Nut		
B17	1				692909	Fjäder.....	Governor spring		
B18	1				690311	• Bult	• Bolt		
B19	1				691023	Reglageplåt.....	Control bracket		
B20	2				690960	Skruv	Screw		

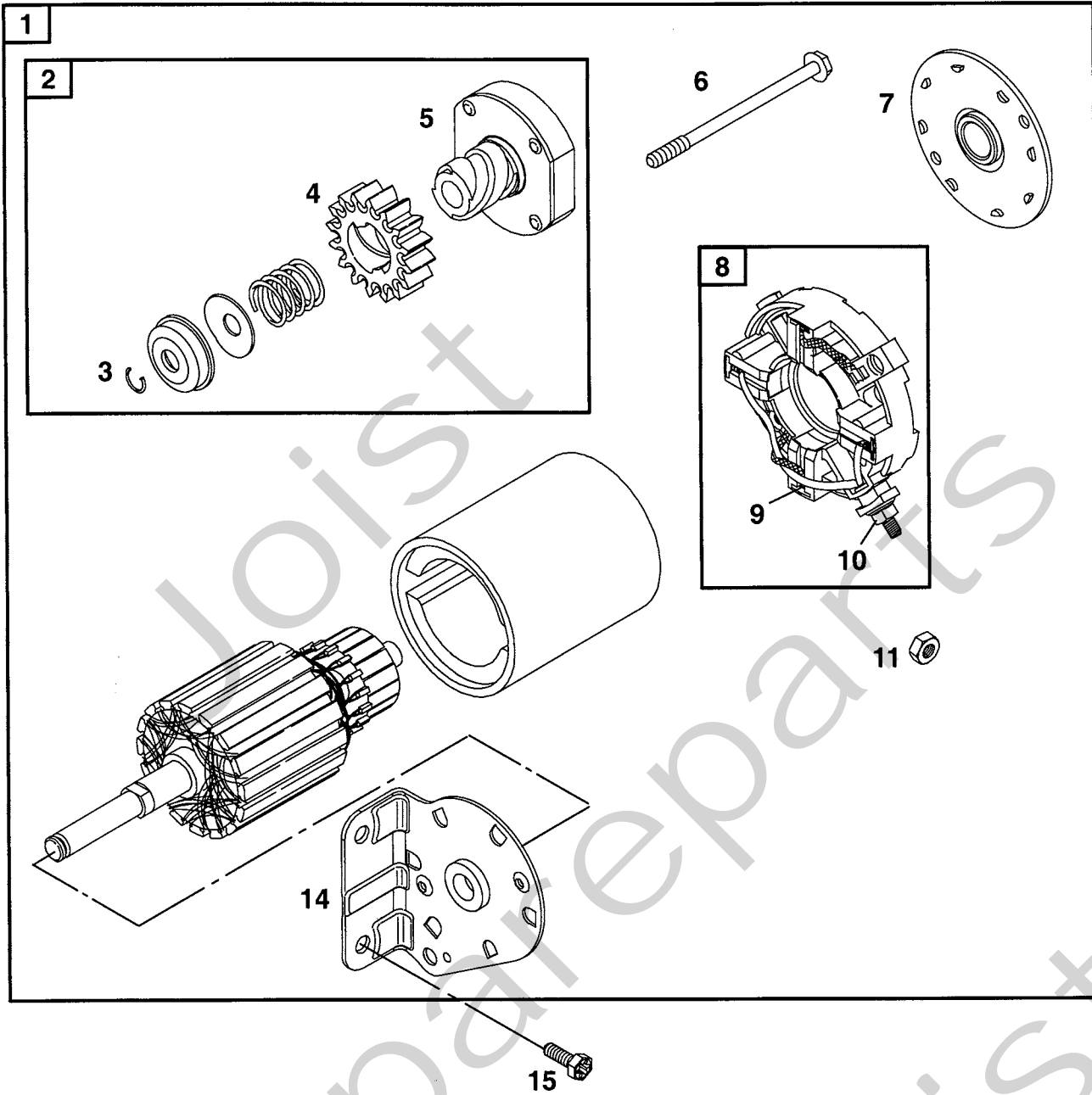


B



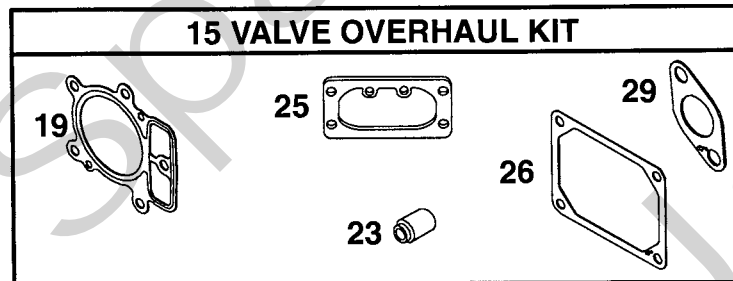
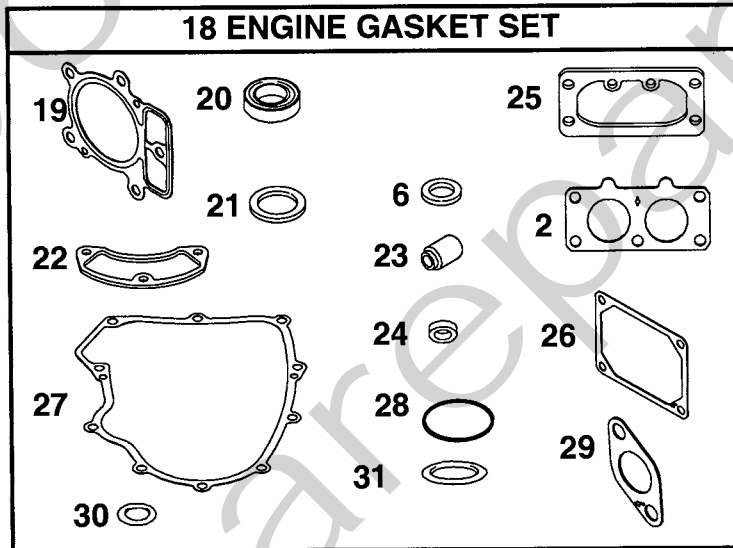
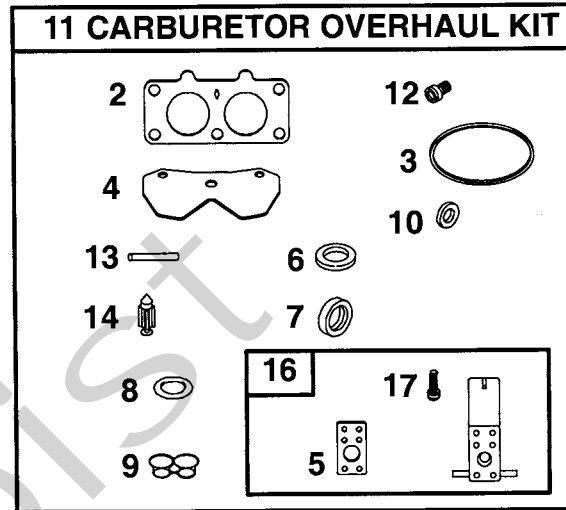
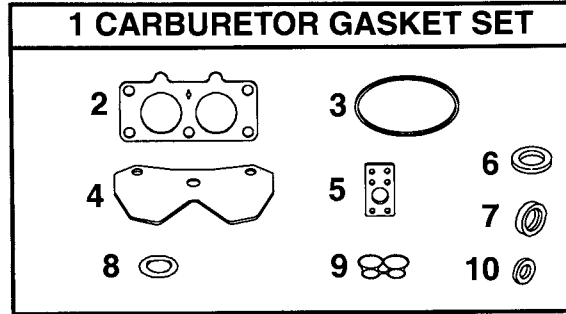
Utgåva Issue		Bildnr Picture No		BRIGGS & STRATTON 407777 LUFFFILTER (A) FÖRGASARE (B)		BRIGGS & STRATTON 407777 AIR CLEANER (A) CARBURETTOR (B)		Sida Page	
2004-13		1465						234	
Pos. Fig.	Antal/Quantity			Art nr Part No	Benämning	Description	Sats Kit	Anmärkning Notes	
	407 777- 0117								
A01	1			499788	Luftrenarlock	Air cleaner cover			
A02	2			691008	• Låsrott	• Air cleaner knob			
A03	1			499486	Filterpatron	Cartridge filter			
A04	1			273638	Förfilter	Pre-cleaner filter			
A05	2			691005	Skruv	Screw			
A06	1			691004	Fläkthus	Blower housing			
A07	1			691011	Luftkanal	Air adapter			
A08	1			691001	Packning	Air cleaner gasket			
A09	1			691009	Platta	Back plate			
A10	4			697820	Skruv	Screw			
A11	1			691010	Clips	Clip			
A12	1			691012	Luftplåt	Air guide cover		Cylinder #1 Cylinder #2	
A13	1			691014	Luftplåt	Air guide cover			
A14	2			691003	Skruv	Screw			
A15	2			690960	Skruv	Screw			
A16	1			691015	Luftplåt	Air guide cover			
B01	1			499804	Förgasare kpl.	Carburettor assy			
B02	1			691001	• Packning	• Air cleaner gasket			
B03	3			690990	• Skruv	• Screw			
B04	1			690999	• Täckplåt	• Cover plate			
B05	1			690234	• Packning	• Gasket			
B06	1			499802	• Tomgångsjustering	• Idle speed kit			
B07	2			690718	•• Skruv	•• Screw			
B08	1			499807	• Chokeaxelsats	• Choke shaft kit			
B09	4			690718	•• Skruv	•• Screw			
B10	1			690986	•• Chokespjäll	•• Choke valve			
B11	1			690998	•• Tätning	•• Shaft seal			
B12	2			690992	•• Skruv	•• Screw			
B13	1			690950	• Packning	• Intake gasket			
B14	1			499809	• Bränslesolenoid	• Fuel solenoid			
B15	2			690997	•• Tätningsbricka	•• Sealing washer			
B16	1			690985	• Nålventil	• Float needle valve			
B17	1			499803	• Bränslerör	• Fuel transfer tube			
B18	1			690988	•• O- ringstätning	•• O- ring seal			
B19	2			690991	•• Skruv	•• Screw			
B20	1			690987	• O- ringstätning	• O- ring seal			
B21	1			690996	• Hållare	• Solenoid retainer			
B22	1			690232	• Huvudmunstycke	• Main jet			
B23	1			499808	• Munstycke	• Carburettor nozzle			
B24	1			690990	•• Skruv	•• Screw			
B25	1			690995	•• Packning	•• Gasket			
B26	1			499805	• Spjällaxelsats	• Throttle shaft kit			
B27	1			691000	•• Tätning	•• Throttle shaft seal			
B28	2			690993	•• Gasspjäll	•• Throttle valve			
B29	1			499806	• Flottör	• Carburettor float			
B30	1			690984	•• Flottöraxel	•• Float hinge pin			
B31	1			499810	• Flottörhus	• Float bowl			
B32	1			690994	•• Packning	•• Gasket			
B33	1			690989	Huvudmunstycke	Main jet		Hög höjd/high altitud	

A



Utgåva Issue 2004- 13	Bildnr Picture No 1466	BRIGGS & STRATTON 407777 STARTMOTOR (A)	BRIGGS & STRATTON 407777 STARTER MOTOR (A)	Sida Page 236
-----------------------------	------------------------------	---	--	---------------------

Pos. Fig.	Antal/Quantity				Art nr Part No	Benämning	Description	Sats Kit	Anmärkning Notes
	407 777- 0117								
A01	1				691262	Startmotor kpl	Starter motor assy		
A02	1				497606	• Startdrev	• Drive		
A03	1				691265	•• Låsring	•• Retaining ring		
A04	1				693058	•• Drev	•• Pinion gear		
A05	1				692024	•• Koppling	•• Drive clutch		
A06	2				691263	• Bult	• Bolt		
A07	1				691286	• Botten	• End cap		
A08	1				691293	• Borsthållare	• Brush retainer		
A09	4				497608	•• Släpkolssats	•• Brush set		
A10	1				693167	•• Mutter	•• Nut		
A11	1				691029	• Mutter	• Nut		
A14	1				691283	• Lock	• Drive cap		
A15	2				690372	Skruv	Screw		



Utgåva Issue 2004- 13		Bildnr Picture No 1467		BRIGGS & STRATTON 407777 PACKNINGSSATS (A)		BRIGGS & STRATTON 407777 GASKET SET (A)		Sida Page 238	
Pos. Fig.	Antal/Quantity			Art nr Part No	Benämning	Description	Sats Kit	Anmärkning Notes	
	407 777- 0117								
A01	1			499812	Packningssats	Carb.gasket set			
A02	1			690950	• Packning.....	• Intake gasket			
A03	1			690994	• Packning.....	• Gasket			
A04	1			690234	• Packning.....	• Gasket			
A05	1			690995	• Packning.....	• Gasket			
A06	1			690997	• Tätningsbricka	• Sealing washer			
A07	1			691000	• Tätning	• Throttle shaft seal			
A08	1			690987	• O- ringstättning	• O- ring seal			
A09	1			690988	• O- ringstättning	• O- ring seal			
A10	1			690998	• Tätning	• Shaft seal			
A11	1			499811	Förgasarrep.sats	Carb.overhaul kit			
A12	1			690232	• Huvudmunstycke.....	• Main jet			
A13	1			690984	• Flottöraxel.....	• Float hinge pin.....			
A14	1			690985	• Nålventil.....	• Float needle valve.....			
A15	1			694013	Ventilrep.sats.....	Valve overhaul kit			
A16	1			499808	• Munstycke	• Carburettor nozzle			
A17	1			690990	• • Skruv	• • Screw			
A18	1			694012	Packningssats- motor	Gasket set- engine			
A19	1			690962	• Topplöckspackning	• Cylinder head gasket			
A20	1			690947	• Tätningsring	• Oil seal			
A21	1			391086	• Tätningsring	• Seal			
A22	1			690937	• Packning.....	• Gasket			
A23	1			690968	• Ventilätätning	• Valve seal			
A24	1			690657	• Tätning	• Governor shaft seal			
A25	1			691001	• Packning.....	• Air cleaner gasket.....			
A26	1			690971	• Packning.....	• Gasket			
A27	1			690945	• Packning.....	• Gasket			
A28	1			690589	• O- ringstättning.....	• O- ring seal			
A29	1			690970	• Packning- utblås	• Gasket- exhaust.....			
A30	1			691032	• Tätning	• Tube seal			
A31	1			691031	• O- ring.....	• O- ring			