

# Genuine Spare Parts

www.stiga.com

## OVERLAND 4WD OVERLAND 22 4WD

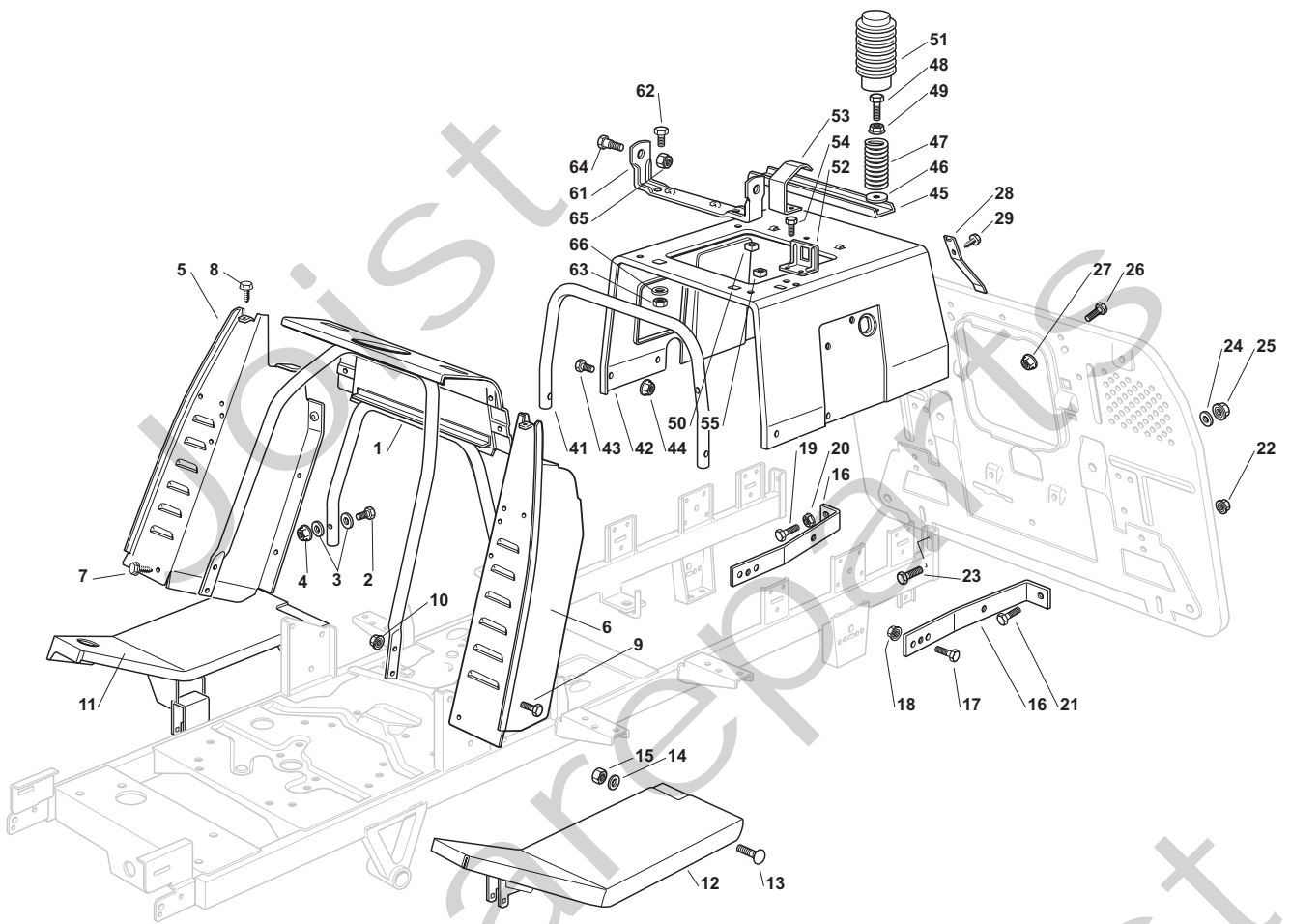
- Use GLOBAL GARDEN PRODUCT Genuine Spare Parts specified in the parts list for repair and/or replacement.
- The contents described in the parts list may change due to improvement.
- The drawings of the spare parts are only indicative and might not represent the part in question exactly.
- The indications "right" - "left" - "front" - "rear" refer to the position of the operator when using the machine.
- When placing orders of parts for repair and/or replacement, make sure that the illustrated parts list is the one applying to the machine's year of manufacture, as shown on the identification plate attached to the machine.

© Copyright 2012 Global Garden Products

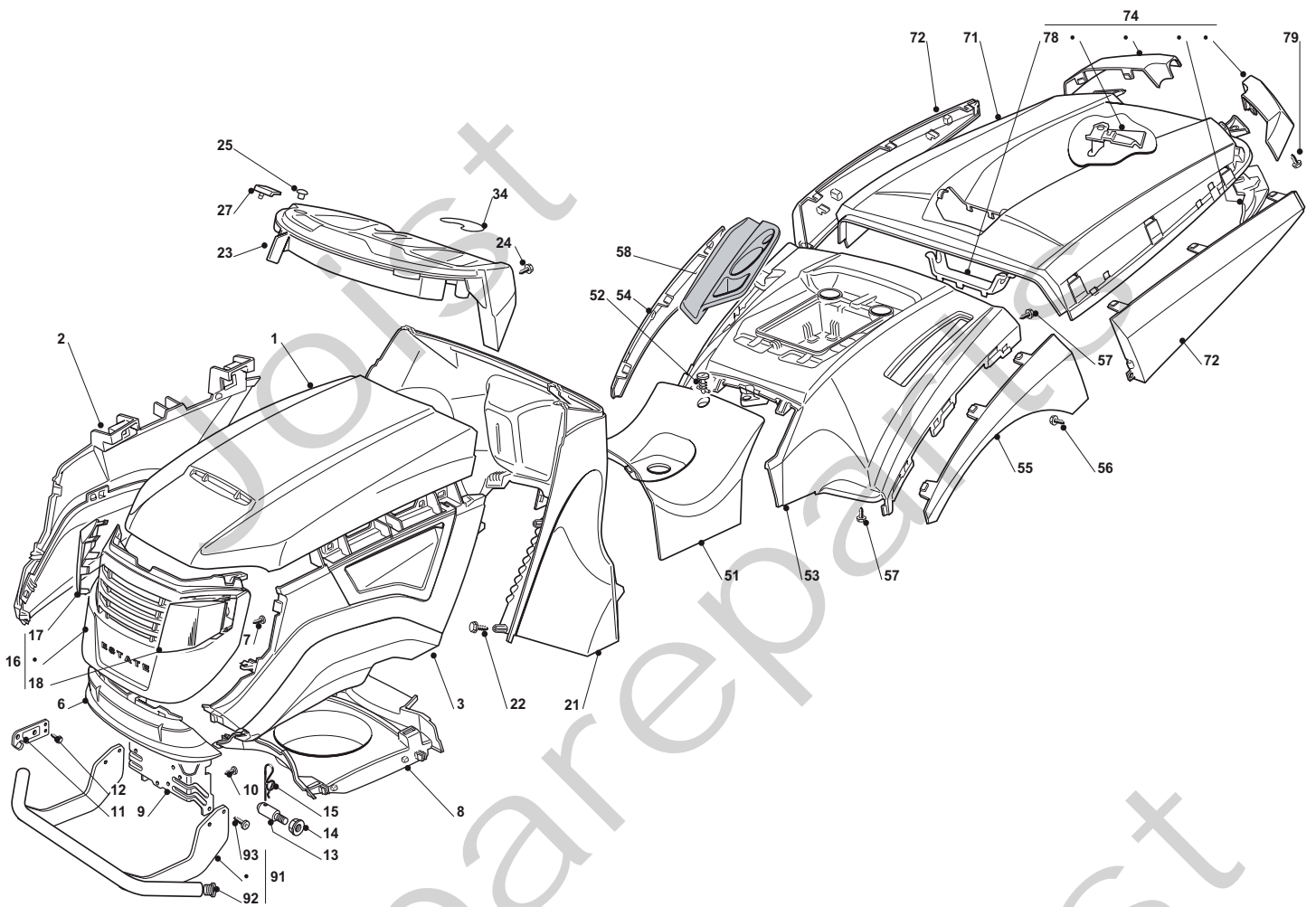
All content is subject to copyright by Global Garden Products and may not be reproduced in whole or in part by any means, electronic or otherwise, without prior written approval.

THIS INFORMATION IS NOT INTENDED FOR SALE OR RESALE, AND THIS NOTICE MUST REMAIN ON ALL COPIES.

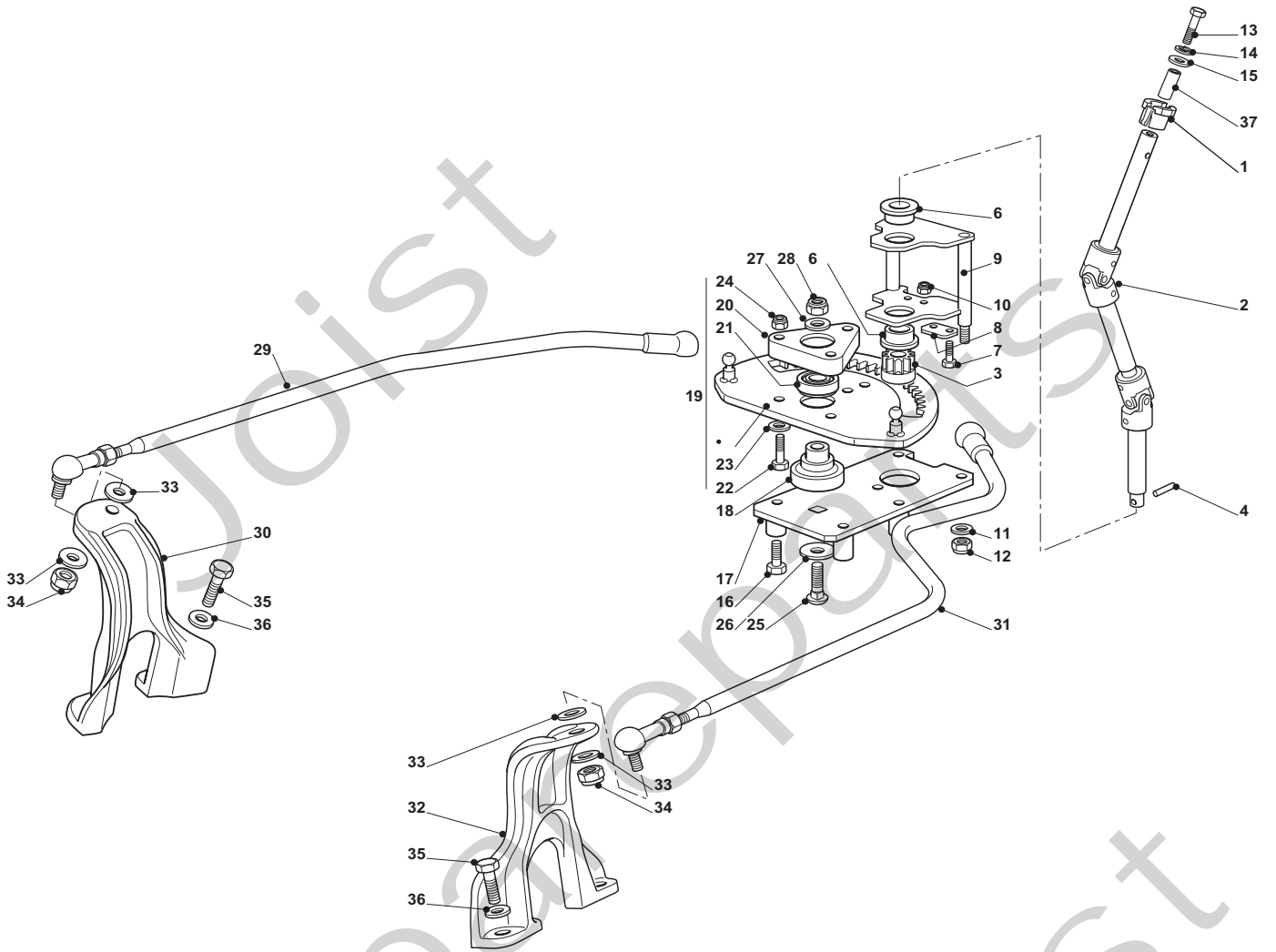
**STIGA**®



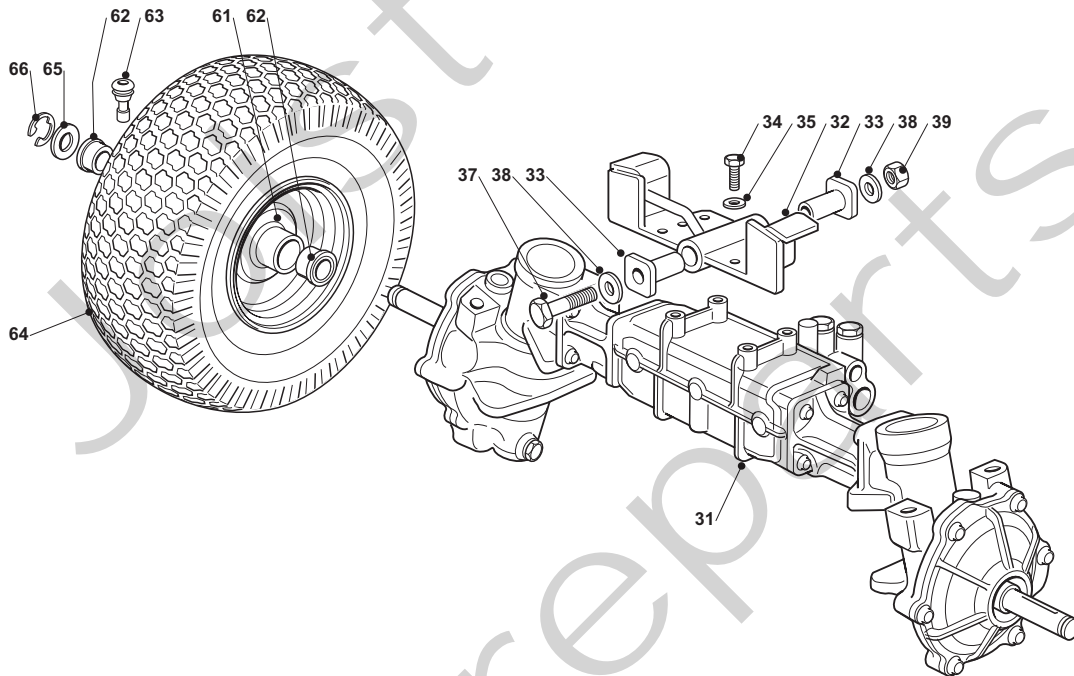
| Chassis  |             |      |                       |       |
|----------|-------------|------|-----------------------|-------|
| POSITION | CODE        | Q.TY | DESCRIPTION           | NOTES |
| 1        | 382785247/0 | 1    | Stiffening            |       |
| 2        | 12674550/0  | 2    | Screw                 |       |
| 3        | 12523040/0  | 4    | Washer                |       |
| 4        | 12292102/0  | 2    | Nut                   |       |
| 5        | 382785022/9 | 1    | Right Dashboard Supp. |       |
| 6        | 382785021/8 | 1    | Left Dashboard Supp.  |       |
| 7        | 12735110/0  | 2    | Screw                 |       |
| 8        | 12735110/0  | 2    | Screw                 |       |
| 9        | 12791400/0  | 6    | Screw                 |       |
| 10       | 12292102/0  | 6    | Nut                   |       |
| 11       | 325500046/0 | 1    | Right Footboard       |       |
| 12       | 325500047/0 | 1    | Left Footboard        |       |
| 13       | 112728689/0 | 4    | Screw                 |       |
| 14       | 12523040/0  | 4    | Washer                |       |
| 15       | 112523030/0 | 4    | Nut                   |       |
| 16       | 25774273/1  | 2    | Stiffening            |       |
| 17       | 12793102/0  | 2    | Screw                 |       |
| 18       | 12293201/0  | 2    | Nut                   |       |
| 19       | 12691100/0  | 1    | Screw                 |       |
| 20       | 12293200/0  | 1    | Nut                   |       |
| 21       | 12792611/0  | 1    | Screw                 |       |
| 22       | 12293201/0  | 2    | Nut                   |       |
| 23       | 112794300/0 | 2    | Screw                 |       |
| 24       | 12521360/0  | 2    | Washer                |       |
| 25       | 12156602/0  | 2    | Nut                   |       |
| 26       | 12791011/0  | 5    | Screw                 |       |
| 27       | 12292102/0  | 5    | Nut                   |       |
| 28       | 25430238/0  | 1    | Spring                |       |
| 29       | 12731580/0  | 1    | Screw                 |       |
| 41       | 325869085/0 | 1    | Stiffening            |       |
| 42       | 325785133/4 | 1    | Seat Support          |       |
| 43       | 12791011/0  | 8    | Screw                 |       |
| 44       | 12292102/0  | 8    | Nut                   |       |
| 45       | 25650067/0  | 1    | Stiffening            |       |
| 46       | 12523070/0  | 2    | Washer                |       |
| 47       | 25430205/1  | 2    | Spring                |       |
| 48       | 25943001/0  | 2    | Screw                 |       |
| 49       | 12293201/0  | 2    | Nut                   |       |
| 50       | 12360420/0  | 2    | Nut                   |       |
| 51       | 25737002/0  | 2    | Hood                  |       |
| 52       | 325755025/2 | 1    | Bracket               |       |
| 53       | 25430255/0  | 1    | Spring                |       |
| 54       | 112735110/1 | 2    | Screw                 |       |
| 55       | 12437502/0  | 2    | Plate                 |       |
| 61       | 82774207/0  | 1    | Seat Clamp Support    |       |
| 62       | 12691115/0  | 2    | Screw                 |       |
| 63       | 12293201/0  | 2    | Nut                   |       |
| 64       | 22524970/2  | 2    | Pin                   |       |
| 65       | 12155010/0  | 2    | Nut                   |       |
| 66       | 12523070/0  | 2    | Washer                |       |



| Body     |             |      |                                   |       |
|----------|-------------|------|-----------------------------------|-------|
| POSITION | CODE        | Q.TY | DESCRIPTION                       | NOTES |
| 1        | 25076866/0  | 1    | Upper Engine Hood, Yellow         |       |
| 2        | 382394611/0 | 1    | Hood, Right                       |       |
| 3        | 382394612/0 | 1    | Hood, Left                        |       |
| 6        | 25076865/0  | 1    | Lower Grey Hood, Front            |       |
| 7        | 12735403/0  | 6    | Screw                             |       |
| 8        | 25108031/0  | 1    | Conveyor                          |       |
| 9        | 25774301/1  | 1    | Engine Hood Support               |       |
| 10       | 12735403/0  | 5    | Screw                             |       |
| 11       | 325547159/1 | 2    | Plate                             |       |
| 12       | 12731580/0  | 4    | Screw                             |       |
| 13       | 125510079/1 | 2    | Pin                               |       |
| 14       | 12293201/0  | 2    | Nut                               |       |
| 15       | 24487998/0  | 1    | Cotter Pin                        |       |
| 16       | 82394610/0  | 1    | Grey Hood, Front                  |       |
| 17       | 25410876/0  | 1    | Right Grill                       |       |
| 18       | 25410877/0  | 1    | Left Grill                        |       |
| 21       | 25785231/1  | 1    | Dashboard Support                 |       |
| 22       | 12735403/0  | 7    | Screw                             |       |
| 23       | 325120213/0 | 1    | Dashboard, Black (Cruise Control) |       |
| 24       | 12728440/0  | 4    | Screw                             |       |
| 25       | 25120200/0  | 2    | Plug                              |       |
| 27       | 25260000/0  | 2    | Grommet                           |       |
| 34       | 325207185/0 | 1    | Cover                             |       |
| 51       | 325110394/0 | 1    | Cover                             |       |
| 52       | 125580020/2 | 1    | Pivot                             |       |
| 53       | 25109754/0  | 1    | Wheels Cover                      |       |
| 54       | 25109753/0  | 1    | Right Wheel Cover                 |       |
| 55       | 25109752/0  | 1    | Left Wheel Cover                  |       |
| 56       | 12728686/0  | 2    | Screw                             |       |
| 57       | 12735402/0  | 4    | Screw                             |       |
| 58       | 325207184/0 | 1    | Cover                             |       |
| 71       | 25110308/0  | 1    | Grass-Catcher Cover               |       |
| 72       | 382110255/0 | 1    | Cover Assy                        |       |
| 74       | 382110259/0 | 1    | Angles Assy                       |       |
| 78       | 25394009/0  | 1    | Handle Cover                      |       |
| 79       | 12735403/0  | 4    | Screw                             |       |
| 91       | 382869039/0 | 1    | Muffler Protection                |       |
| 92       | 18737860/0  | 2    | Cap                               |       |
| 93       | 12734995/0  | 4    | Screw                             |       |



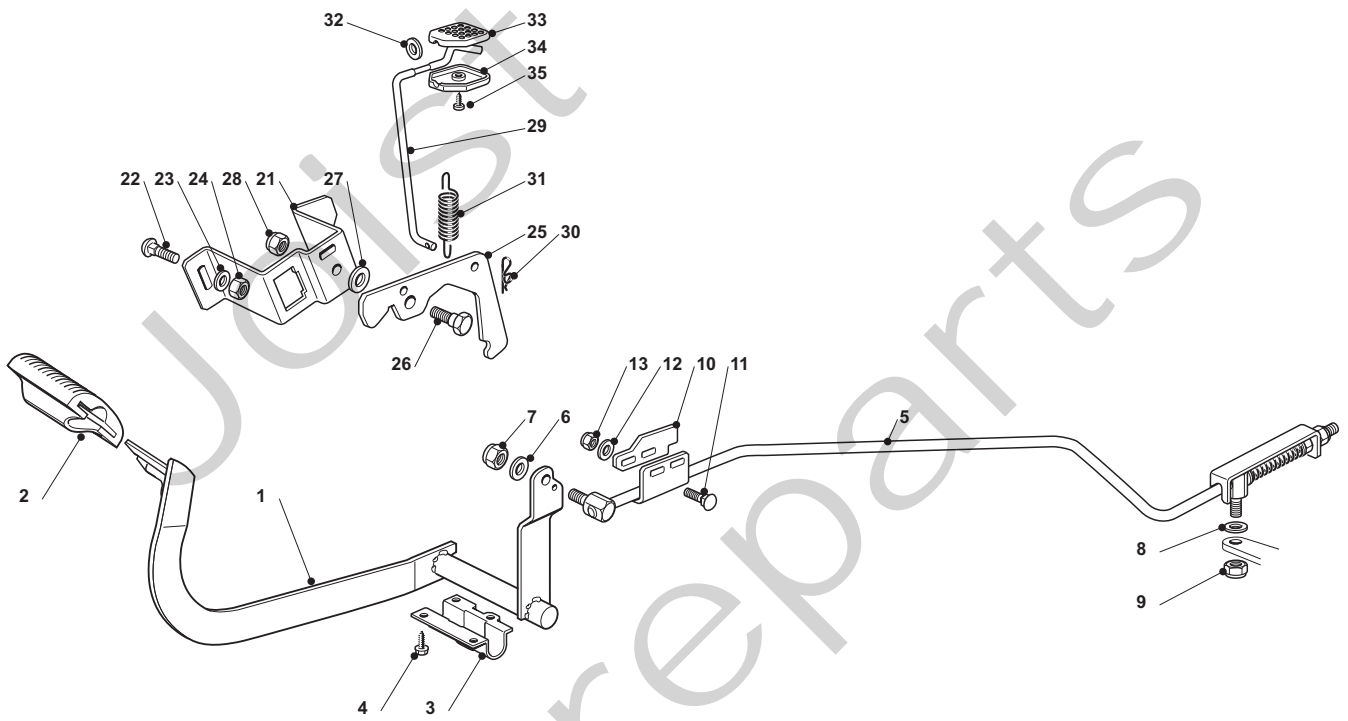
| Steering |             |      |                 |       |
|----------|-------------|------|-----------------|-------|
| POSITION | CODE        | Q.TY | DESCRIPTION     | NOTES |
| 1        | 25038004/0  | 2    | Bush            |       |
| 2        | 382543053/0 | 1    | Steering Column |       |
| 3        | 125570006/1 | 1    | Pinion          |       |
| 4        | 12622650/0  | 1    | Pin             |       |
| 6        | 25038004/0  | 2    | Bush            |       |
| 7        | 12788910/0  | 2    | Screw           |       |
| 8        | 325487000/0 | 1    | Plate           |       |
| 9        | 382785209/0 | 1    | Support         |       |
| 10       | 12154330/0  | 2    | Nut             |       |
| 11       | 12521360/0  | 2    | Washer          |       |
| 12       | 12156602/0  | 2    | Nut             |       |
| 13       | 12691800/0  | 1    | Screw           |       |
| 14       | 12583500/0  | 1    | Grower          |       |
| 15       | 12523060/0  | 1    | Washer          |       |
| 16       | 112735108/1 | 4    | Screw           |       |
| 17       | 382785207/0 | 1    | Support         |       |
| 18       | 125040641/0 | 1    | Support         |       |
| 19       | 382735523/0 | 1    | Steering Shaft  |       |
| 20       | 325774453/0 | 1    | Clamp           |       |
| 21       | 119216047/0 | 1    | Bearing         |       |
| 22       | 12691100/0  | 3    | Screw           |       |
| 23       | 12523060/0  | 3    | Washer          |       |
| 24       | 12155000/0  | 3    | Nut             |       |
| 25       | 112819600/0 | 1    | Screw           |       |
| 26       | 112521395/0 | 1    | Screw           |       |
| 27       | 12521370/0  | 1    | Washer          |       |
| 28       | 112156603/0 | 1    | Nut             |       |
| 29       | 382000622/0 | 1    | Steering Rod    |       |
| 30       | 325774491/1 | 1    | Clamp           |       |
| 31       | 382000624/0 | 1    | Steering Rod    |       |
| 32       | 325774393/0 | 1    | Clamp           |       |
| 33       | 12522050/0  | 4    | Washer          |       |
| 34       | 112155700/0 | 2    | Nut             |       |
| 35       | 112760585/0 | 4    | Screw           |       |
| 36       | 12521370/0  | 4    | Washer          |       |
| 37       | 125160063/0 | 1    | Spacer          |       |



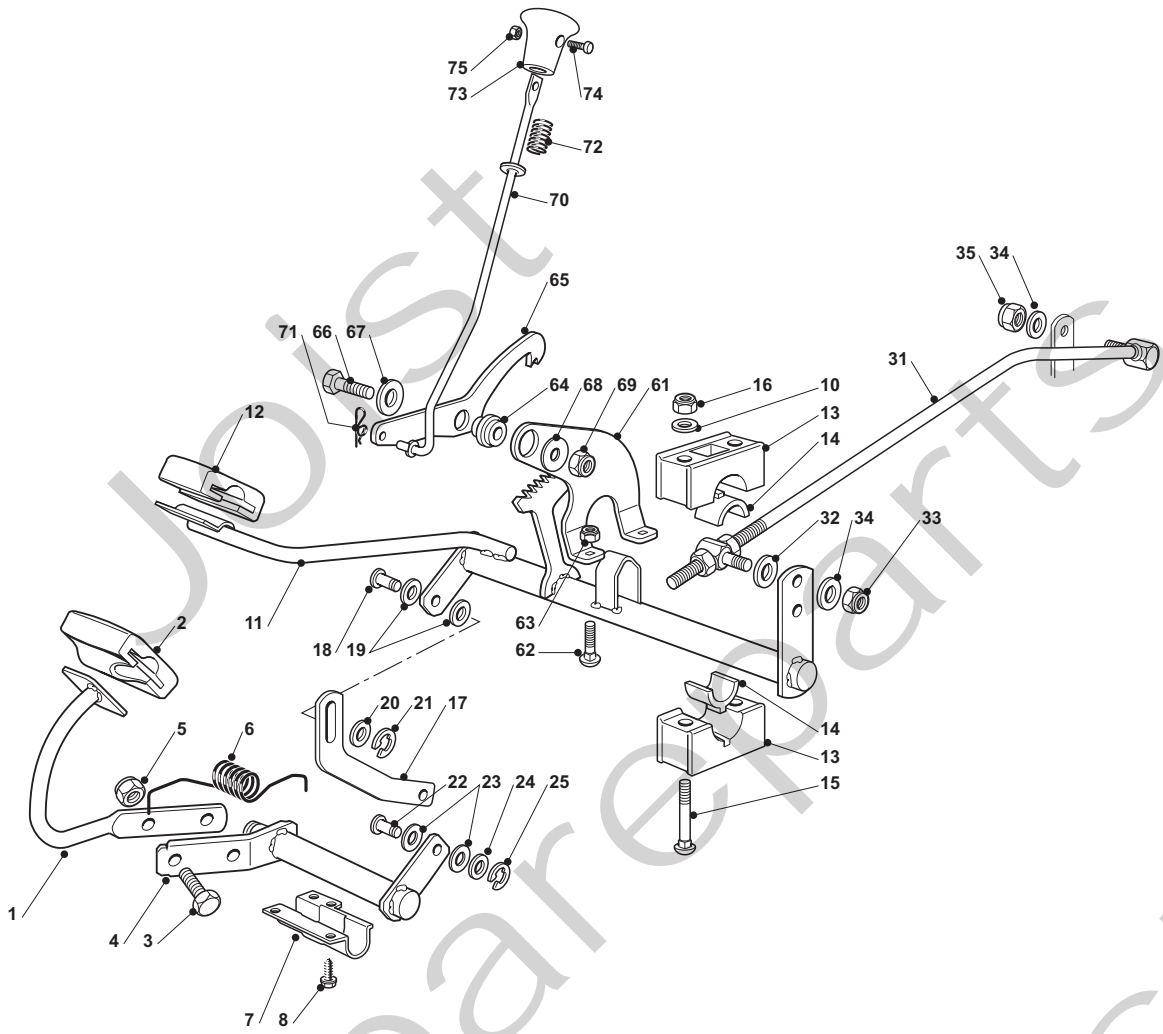


| Steering |             |      |                   | model 4WD     |
|----------|-------------|------|-------------------|---------------|
| POSITION | CODE        | Q.TY | DESCRIPTION       | NOTES         |
| 31       | 118400974/0 | 1    | Transmission Unit | KANZAKI KXH7N |
| 32       | 382547057/1 | 1    | Support           |               |
| 33       | 125040633/0 | 2    | Bush              |               |
| 34       | 112760560/0 | 6    | Screw             |               |
| 35       | 112585100/0 | 6    | Washer            |               |
| 37       | 112695900/0 | 1    | Screw             |               |
| 38       | 112521395/0 | 2    | Screw             |               |
| 39       | 112295801/0 | 1    | Nut               |               |
| 61       | 182000601/1 | 2    | Rimm              |               |
| 62       | 25122200/2  | 4    | Bearing           |               |
| 63       | 25950000/0  | 2    | Valve             |               |
| 64       | 125590012/0 | 2    | Tire              |               |
| 65       | 25670005/1  | 2    | Washer            |               |
| 66       | 12001010/0  | 2    | Snap Ring         |               |

Joist  
Spareparts  
Joist

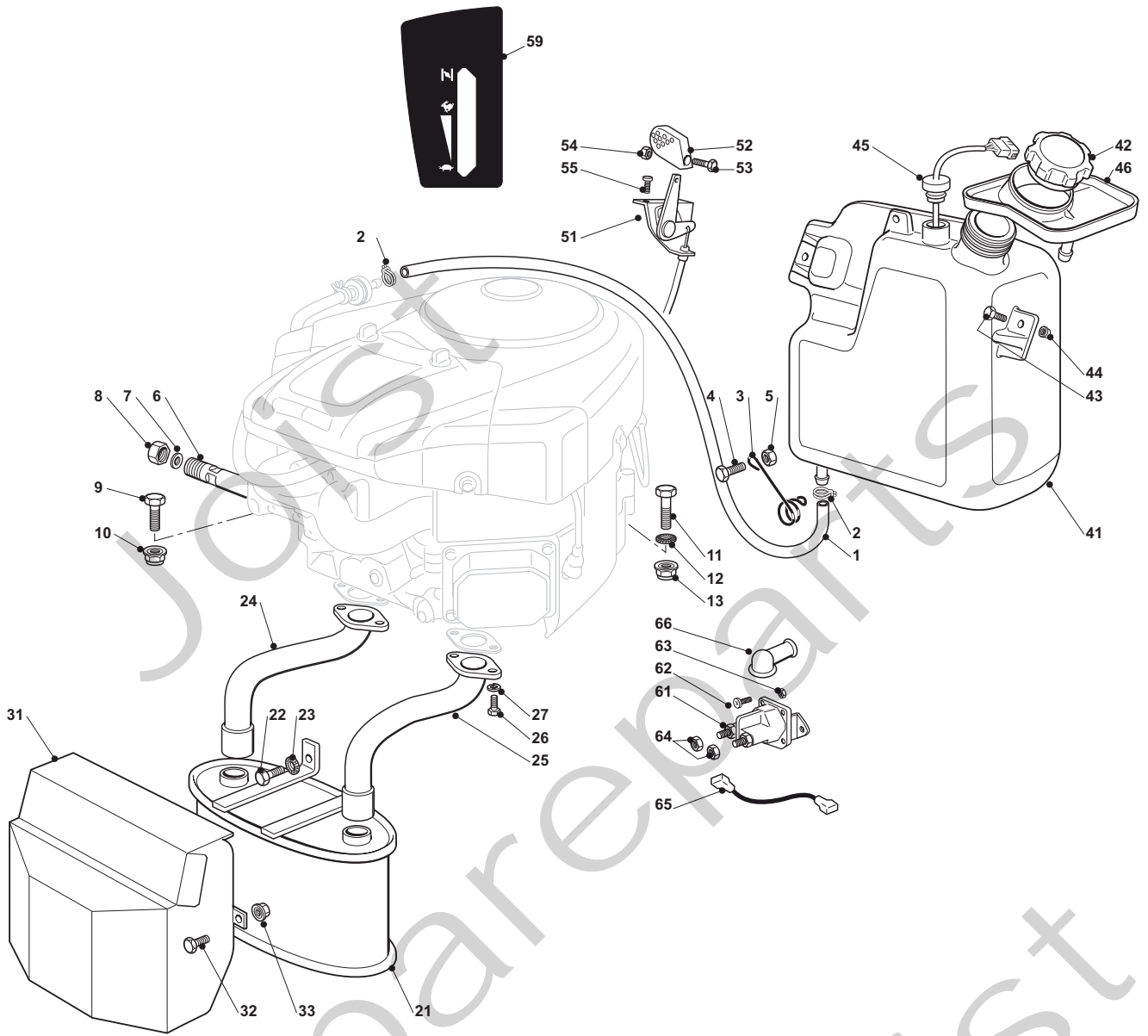


| Brake Controls |             |      |             |       |
|----------------|-------------|------|-------------|-------|
| POSITION       | CODE        | Q.TY | DESCRIPTION | NOTES |
| 1              | 382500041/0 | 1    | Pedal       |       |
| 2              | 25110267/0  | 1    | Clamp Cover |       |
| 3              | 325547081/2 | 1    | Plate       |       |
| 4              | 12731601/0  | 4    | Screw       |       |
| 5              | 382000554/2 | 1    | Rod         |       |
| 6              | 12521350/0  | 1    | Washer      |       |
| 7              | 12155000/0  | 1    | Nut         |       |
| 8              | 12521350/0  | 1    | Washer      |       |
| 9              | 12155000/0  | 1    | Nut         |       |
| 10             | 325547281/1 | 1    | Plate       |       |
| 11             | 12815210/0  | 2    | Screw       |       |
| 12             | 12523040/0  | 2    | Washer      |       |
| 13             | 12154510/0  | 2    | Nut         |       |
| 21             | 325785143/1 | 1    | Support     |       |
| 22             | 12815210/0  | 2    | Screw       |       |
| 23             | 12523040/0  | 1    | Washer      |       |
| 24             | 12154510/0  | 2    | Nut         |       |
| 25             | 325253009/0 | 1    | Hook        |       |
| 26             | 22524970/2  | 1    | Pin         |       |
| 27             | 25670011/0  | 1    | Washer      |       |
| 28             | 12155000/0  | 1    | Nut         |       |
| 29             | 125033097/0 | 1    | Rod         |       |
| 30             | 24487997/0  | 1    | Cotter Pin  |       |
| 31             | 25430213/0  | 1    | Spring      |       |
| 32             | 12523040/0  | 1    | Washer      |       |
| 33             | 325592001/0 | 1    | Knob        |       |
| 34             | 325592002/0 | 1    | Knob        |       |
| 35             | 12727815/0  | 1    | Screw       |       |



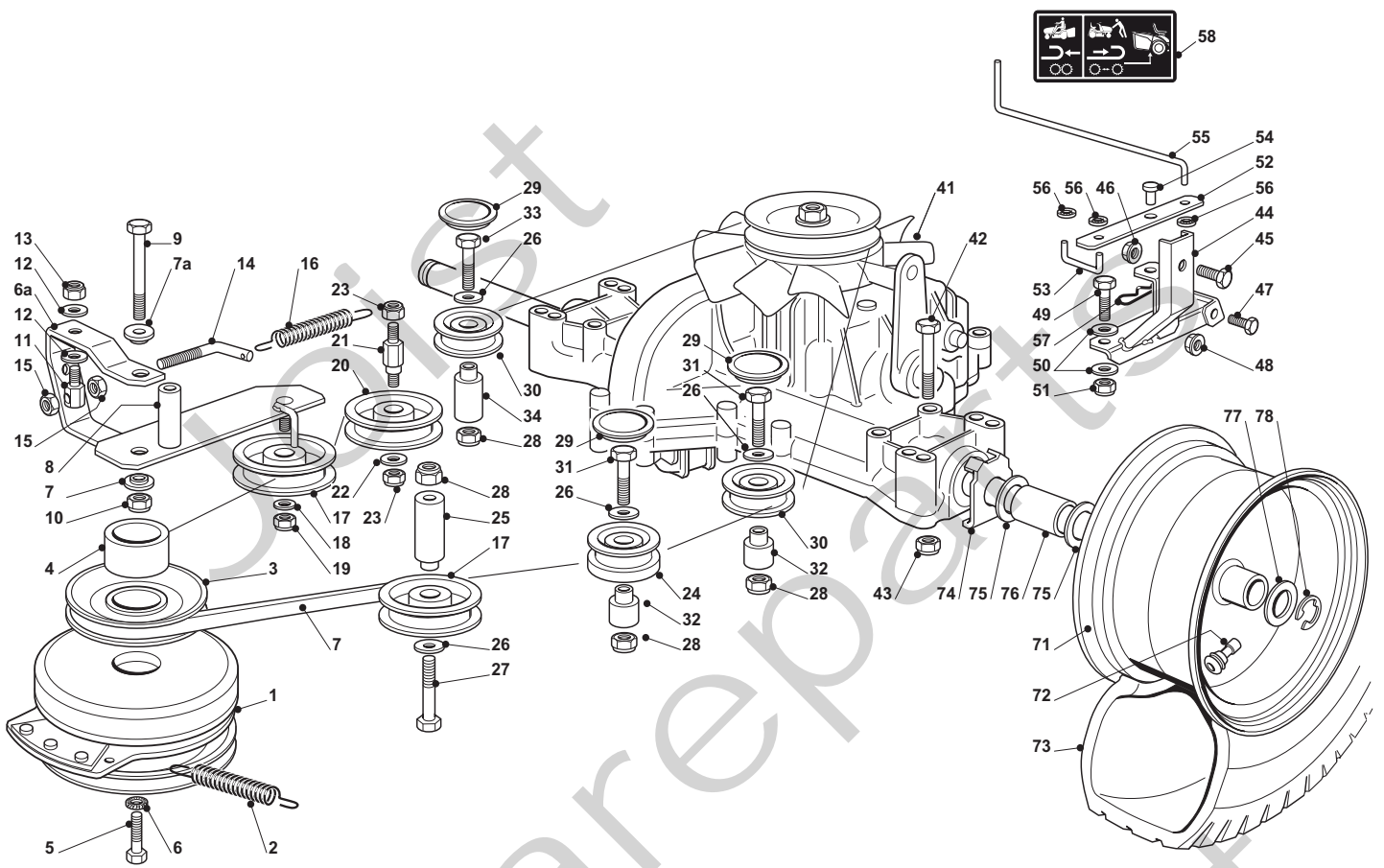
**Drive Controls**

| POSITION | CODE        | Q.TY | DESCRIPTION       | NOTES |
|----------|-------------|------|-------------------|-------|
| 1        | 382500045/0 | 1    | Pedal             |       |
| 2        | 25110275/0  | 1    | Clamp Cover       |       |
| 3        | 12793301/0  | 2    | Screw             |       |
| 4        | 382000559/1 | 1    | Axle              |       |
| 5        | 12155000/0  | 2    | Nut               |       |
| 6        | 125430246/1 | 1    | Spring            |       |
| 7        | 325547133/1 | 1    | Plate             |       |
| 8        | 12731601/0  | 4    | Screw             |       |
| 10       | 12523040/0  | 4    | Washer            |       |
| 11       | 382000617/1 | 1    | Axle              |       |
| 12       | 25110274/0  | 1    | Clamp Cover Front |       |
| 13       | 325785354/0 | 4    | Support           |       |
| 14       | 325034003/0 | 4    | Brass             |       |
| 15       | 112815271/0 | 4    | Screw             |       |
| 16       | 12154510/0  | 4    | Nut               |       |
| 17       | 325547207/0 | 1    | Plate             |       |
| 18       | 125510085/1 | 1    | Pin               |       |
| 19       | 25670011/0  | 2    | Washer            |       |
| 20       | 12521350/0  | 1    | Washer            |       |
| 21       | 12000930/0  | 1    | Crown Fastener    |       |
| 22       | 125510085/1 | 1    | Pin               |       |
| 23       | 25670011/0  | 2    | Washer            |       |
| 24       | 12521350/0  | 1    | Washer            |       |
| 25       | 12000930/0  | 1    | Crown Fastener    |       |
| 31       | 382000612/0 | 1    | Rod               |       |
| 32       | 12523060/0  | 1    | Washer            |       |
| 33       | 12154510/0  | 1    | Nut               |       |
| 34       | 12523040/0  | 2    | Washer            |       |
| 35       | 12154510/0  | 1    | Nut               |       |
| 61       | 325774477/0 | 1    | Clamp             |       |
| 62       | 12815210/0  | 2    | Screw             |       |
| 63       | 12292102/0  | 2    | Nut               |       |
| 64       | 125040638/0 | 1    | Bush              |       |
| 65       | 325022000/1 | 1    | Hook              |       |
| 66       | 12691100/0  | 1    | Screw             |       |
| 67       | 12523060/0  | 1    | Washer            |       |
| 68       | 22672152/0  | 1    | Washer            |       |
| 69       | 12155000/0  | 1    | Nut               |       |
| 70       | 125033091/0 | 1    | Rod               |       |
| 71       | 24487995/0  | 1    | Cotter Pin        |       |
| 72       | 25430232/0  | 1    | Spring            |       |
| 73       | 325605002/0 | 1    | Button            |       |
| 74       | 112726389/0 | 1    | Screw             |       |
| 75       | 12290800/0  | 1    | Nut               |       |



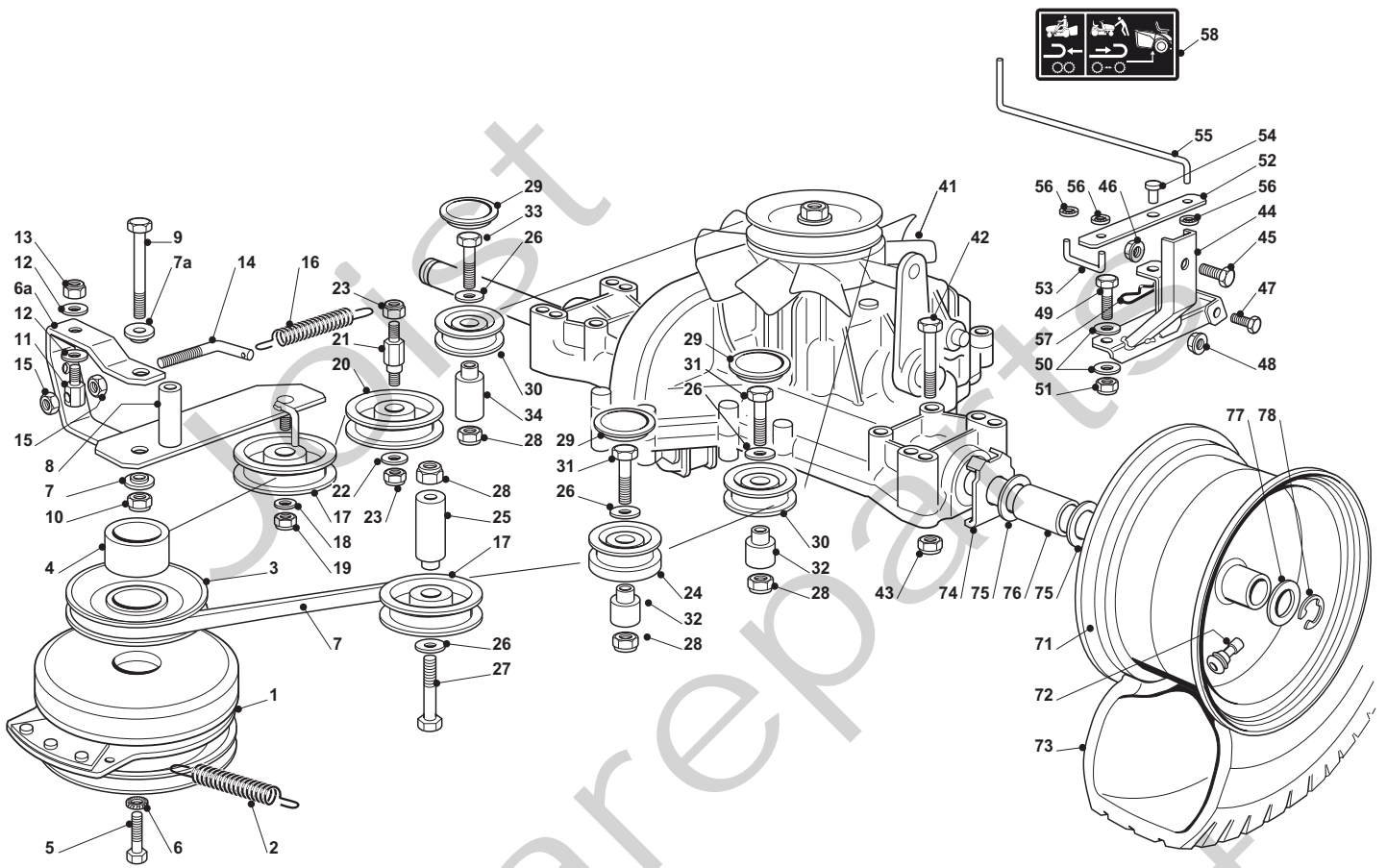
Engine - B&S 20 - 22 - 24 HP

| POSITION | CODE        | Q.TY | DESCRIPTION             | NOTES |
|----------|-------------|------|-------------------------|-------|
| 1        | 25869016/1  | 1    | Connecting Tube         |       |
| 2        | 18375051/1  | 2    | Fair Led                |       |
| 3        | 25430239/1  | 1    | Spring                  |       |
| 4        | 12790781/0  | 1    | Screw                   |       |
| 5        | 12292102/0  | 1    | Nut                     |       |
| 6        | 25598050/0  | 1    | Oil Discharge Extension |       |
| 7        | 18737849/0  | 1    | Oil Cap                 |       |
| 8        | 18401001/1  | 1    | Oil Seal                |       |
| 9        | 12691100/0  | 3    | Screw                   |       |
| 10       | 12154210/0  | 3    | Nut                     |       |
| 11       | 12691115/0  | 1    | Screw                   |       |
| 12       | 12540260/0  | 1    | Washer                  |       |
| 13       | 12154210/0  | 1    | Nut                     |       |
| 21       | 182750009/0 | 1    | Muffler                 |       |
| 22       | 12793301/0  | 2    | Screw                   |       |
| 23       | 12540260/0  | 2    | Washer                  |       |
| 24       | 118738236/0 | 1    | Exhaust Right Tube      |       |
| 25       | 118738237/0 | 1    | Exhaust Left Tube       |       |
| 26       | 12735530/0  | 4    | Screw                   |       |
| 27       | 12583500/0  | 4    | Grower                  |       |
| 31       | 382598043/1 | 1    | Guard                   |       |
| 32       | 12791011/0  | 2    | Screw                   |       |
| 33       | 12292102/0  | 2    | Nut                     |       |
| 41       | 325735125/2 | 1    | Tank                    |       |
| 42       | 325795003/0 | 1    | Cap                     |       |
| 43       | 12788910/0  | 2    | Screw                   |       |
| 44       | 12500092/0  | 2    | Rivet                   |       |
| 45       | 125290002/0 | 1    | Fuel Level Indicator    |       |
| 46       | 325600086/0 | 1    | Guard                   |       |
| 51       | 182000218/0 | 1    | Accelerator             |       |
| 52       | 325592000/0 | 1    | Handle                  |       |
| 53       | 125943012/0 | 1    | Screw                   |       |
| 54       | 12290800/0  | 1    | Nut                     |       |
| 55       | 12788512/0  | 2    | Screw                   |       |
| 59       | 14360717/0  | 1    | Label                   |       |
| 61       | 18736111/0  | 1    | Starter Relay           |       |
| 62       | 12791011/0  | 2    | Screw                   |       |
| 63       | 12292102/0  | 2    | Nut                     |       |
| 64       | 12360352/0  | 2    | Nut                     |       |
| 65       | 25065002/0  | 1    | Cable                   |       |
| 66       | 18564861/1  | 1    | Protection              |       |



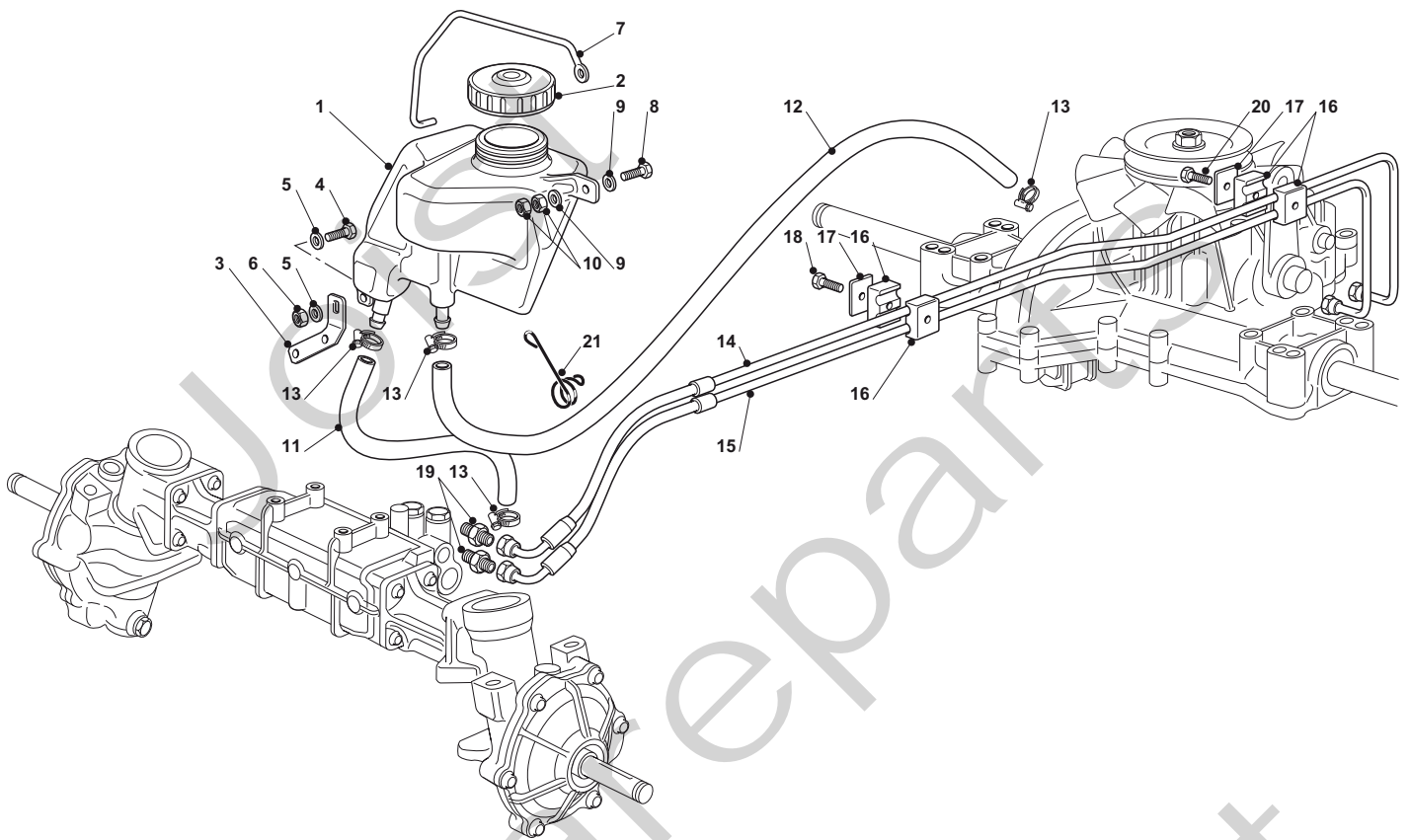


| POSITION | CODE        | Q.TY | DESCRIPTION    | NOTES           |
|----------|-------------|------|----------------|-----------------|
| 1        | 118399062/0 | 1    | Clutc          |                 |
| 2        | 125430210/1 | 1    | Spring         |                 |
| 3        | 125601580/0 | 1    | Pulley         |                 |
| 4        | 25160021/0  | 1    | Spacer         |                 |
| 5        | 12737320/0  | 1    | Screw          |                 |
| 6        | 12543000/0  | 1    | Washer         |                 |
| 6a       | 382318251/0 | 1    | Lever          |                 |
| 7        | 135062002/1 | 1    | Belt           |                 |
| 7a       | 25038002/1  | 2    | Bush           |                 |
| 8        | 125160054/0 | 1    | Spacer         |                 |
| 9        | 12793905/0  | 1    | Screw          |                 |
| 10       | 12155000/0  | 1    | Nut            |                 |
| 11       | 25510040/1  | 1    | Pin            |                 |
| 12       | 25670011/0  | 2    | Washer         |                 |
| 13       | 12155000/0  | 1    | Nut            |                 |
| 14       | 125840030/0 | 1    | Tie Rod        |                 |
| 15       | 12293200/0  | 2    | Nut            |                 |
| 16       | 25430219/0  | 1    | Spring         |                 |
| 17       | 25601554/0  | 2    | Pulley         |                 |
| 18       | 12523060/0  | 1    | Washer         |                 |
| 19       | 12155000/0  | 1    | Nut            |                 |
| 20       | 25601555/0  | 1    | Pulley         |                 |
| 21       | 25510036/1  | 1    | Pin            |                 |
| 22       | 12523060/0  | 1    | Washer         |                 |
| 23       | 12155000/0  | 2    | Nut            |                 |
| 24       | 325601584/1 | 1    | Pulley         |                 |
| 25       | 125160060/0 | 1    | Spacer         |                 |
| 26       | 12523060/0  | 4    | Washer         |                 |
| 27       | 12691115/0  | 2    | Screw          |                 |
| 28       | 12155000/0  | 4    | Nut            |                 |
| 29       | 25109521/1  | 3    | Cover          |                 |
| 30       | 325601570/1 | 2    | Pulley         |                 |
| 31       | 12691115/0  | 2    | Screw          |                 |
| 32       | 125160030/2 | 2    | Left Spacer    |                 |
| 33       | 12691400/0  | 1    | Screw          |                 |
| 34       | 125160024/2 | 1    | Right Spacer   |                 |
| 41       | 118400975/0 | 1    | Rear Axle      | Tuff Torq K574D |
| 42       | 12691800/0  | 4    | Screw          |                 |
| 43       | 12154210/0  | 4    | Nut            |                 |
| 44       | 382785175/0 | 1    | Support        |                 |
| 45       | 12735120/0  | 1    | Screw          |                 |
| 46       | 12293201/0  | 1    | Nut            |                 |
| 47       | 12792611/0  | 1    | Screw          |                 |
| 48       | 12293201/0  | 1    | Nut            |                 |
| 49       | 12691115/0  | 1    | Screw          |                 |
| 50       | 12521350/0  | 2    | Washer         |                 |
| 51       | 12155000/0  | 1    | Nut            |                 |
| 52       | 325547229/0 | 1    | Lever          |                 |
| 53       | 125580031/0 | 1    | Rod            |                 |
| 54       | 27510111/0  | 1    | Pin            |                 |
| 55       | 125033079/0 | 1    | Rod            |                 |
| 56       | 12604896/0  | 3    | Crown Fastener |                 |
| 57       | 124487997/0 | 1    | Cotter Pin     |                 |
| 58       | 114363696/0 | 1    | Label          |                 |
| 71       | 182000602/0 | 2    | Rimm           |                 |
| 72       | 25950000/0  | 2    | Valve          |                 |
| 73       | 125590013/0 | 2    | Tire           |                 |
| 74       | 325670025/0 | 2    | Washer         |                 |

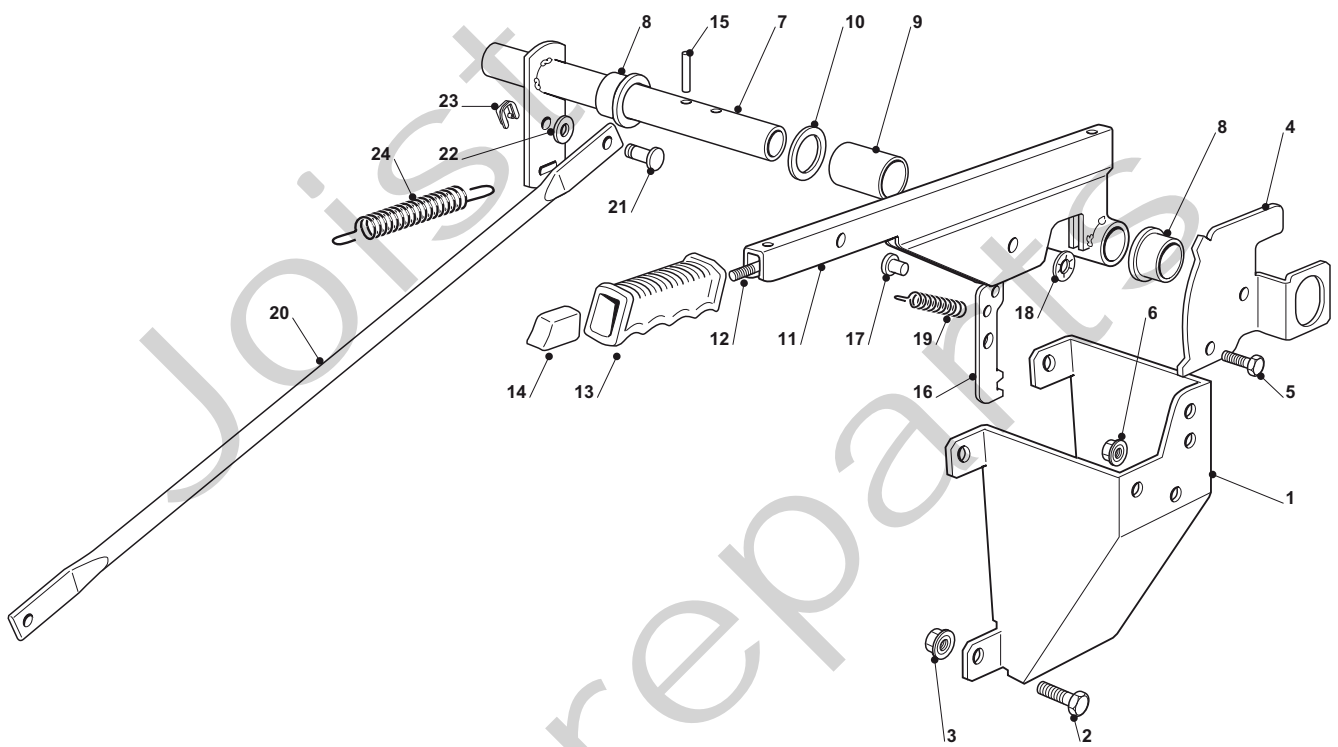


| POSITION | CODE        | Q.TY | DESCRIPTION | NOTES |
|----------|-------------|------|-------------|-------|
| 75       | 112521410/0 | 4    | Washer      |       |
| 76       | 25160023/0  | 2    | Spacer      |       |
| 77       | 25670005/1  | 2    | Washer      |       |
| 78       | 12001010/0  | 2    | Snap Ring   |       |

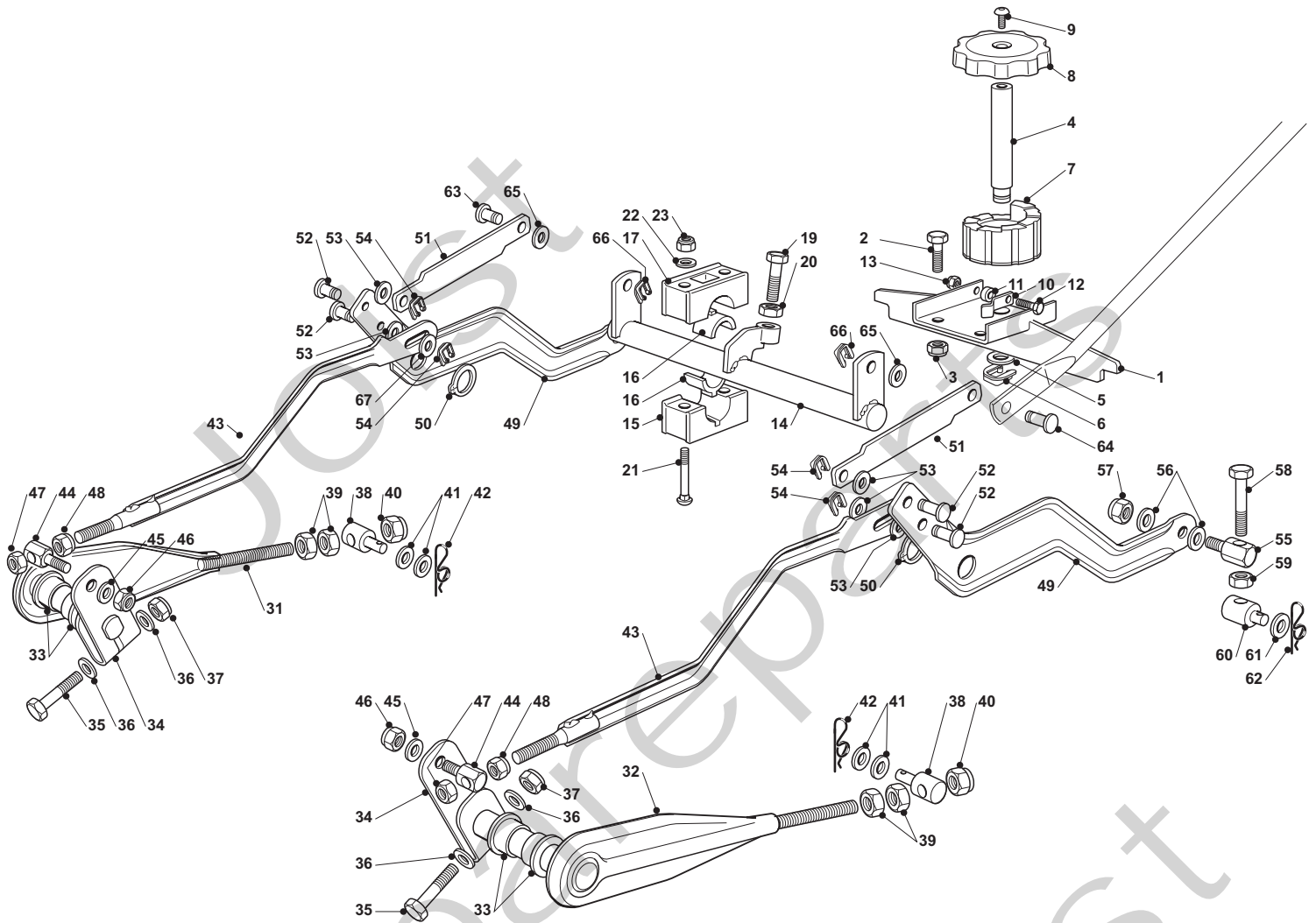
Joist  
Spareparts  
Joist



| POSITION | CODE        | Q.TY | DESCRIPTION     | NOTES |
|----------|-------------|------|-----------------|-------|
| 1        | 325735127/0 | 1    | Tank            |       |
| 2        | 125795002/0 | 1    | Cap             |       |
| 3        | 325755059/0 | 1    | Bracket         |       |
| 4        | 12789100/0  | 1    | Screw           |       |
| 5        | 12521320/0  | 2    | Washer          |       |
| 6        | 12154330/0  | 1    | Nut             |       |
| 7        | 125600085/0 | 1    | Guard           |       |
| 8        | 12789100/0  | 1    | Screw           |       |
| 9        | 12521320/0  | 2    | Washer          |       |
| 10       | 12154330/0  | 2    | Nut             |       |
| 11       | 325869076/0 | 1    | Connecting Tube |       |
| 12       | 325869077/0 | 1    | Connecting Tube |       |
| 13       | 118375059/0 | 4    | Fair Led        |       |
| 14       | 382869200/1 | 1    | Connecting Tube |       |
| 15       | 382869201/0 | 1    | Connecting Tube |       |
| 16       | 325721000/0 | 4    | Support         |       |
| 17       | 325547249/0 | 2    | Plate           |       |
| 18       | 12689515/0  | 1    | Screw           |       |
| 19       | 125651001/0 | 2    | Tube Connection |       |
| 20       | 12674700/0  | 1    | Screw           |       |
| 21       | 25430239/1  | 1    | Spring          |       |



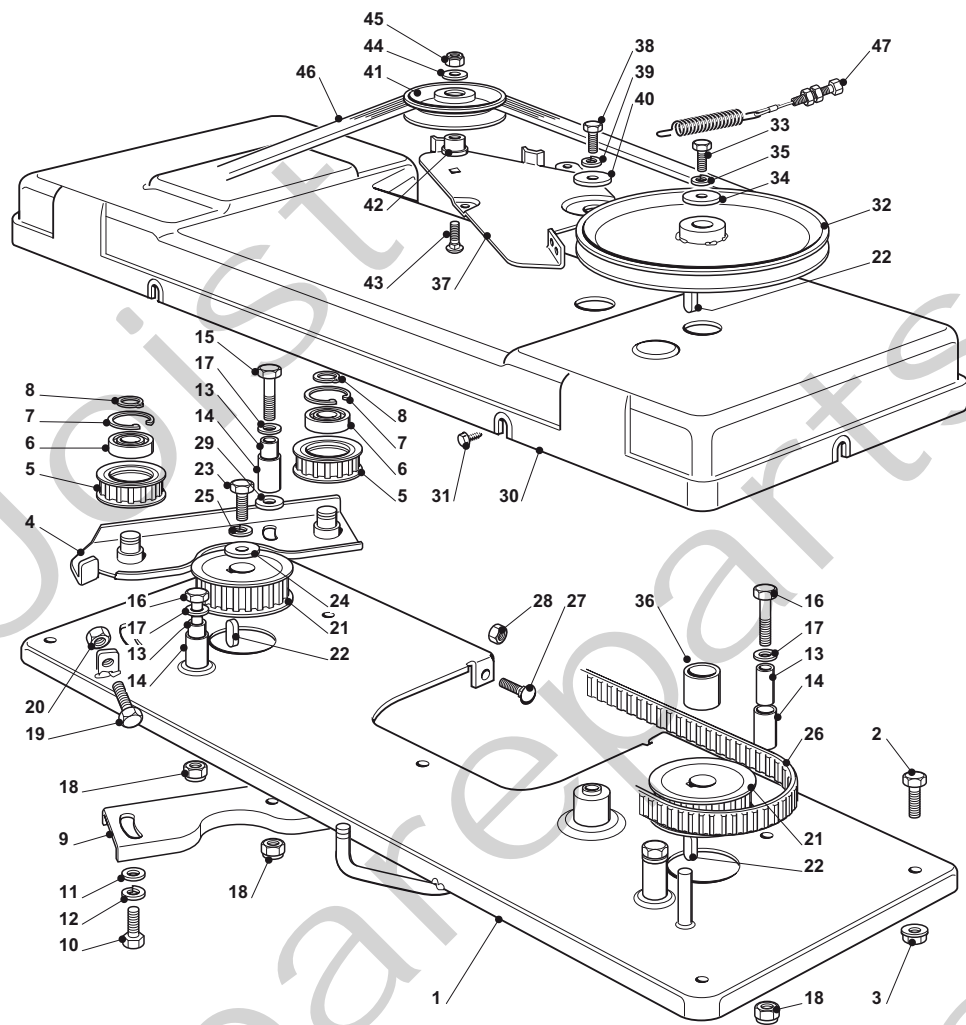
| Cutting Plate Lifting |             |      |                |       |
|-----------------------|-------------|------|----------------|-------|
| POSITION              | CODE        | Q.TY | DESCRIPTION    | NOTES |
| 1                     | 325785137/1 | 1    | Support        |       |
| 2                     | 12791011/0  | 4    | Screw          |       |
| 3                     | 12292102/0  | 4    | Nut            |       |
| 4                     | 325735521/0 | 1    | Sector         |       |
| 5                     | 12793102/0  | 2    | Screw          |       |
| 6                     | 12293201/0  | 2    | Nut            |       |
| 7                     | 382000551/0 | 1    | Axle           |       |
| 8                     | 22034523/0  | 2    | Bush           |       |
| 9                     | 25160025/0  | 1    | Spacer         |       |
| 10                    | 22672153/0  | 1    | Washer         |       |
| 11                    | 382318241/0 | 1    | Lever          |       |
| 12                    | 125033002/1 | 1    | Rod            |       |
| 13                    | 25394504/1  | 1    | Knob           |       |
| 14                    | 25605000/1  | 1    | Button         |       |
| 15                    | 12620206/0  | 2    | Pin            |       |
| 16                    | 325470901/1 | 1    | Dog            |       |
| 17                    | 25510011/0  | 1    | Pin            |       |
| 18                    | 12604899/0  | 1    | Crown Fastener |       |
| 19                    | 25430208/0  | 1    | Spring         |       |
| 20                    | 325033077/0 | 1    | Connecting Rod |       |
| 21                    | 125510117/0 | 1    | Pin            |       |
| 22                    | 25670011/0  | 1    | Washer         |       |
| 23                    | 12436050/0  | 7    | Plate          |       |
| 24                    | 125430218/1 | 1    | Spring         |       |



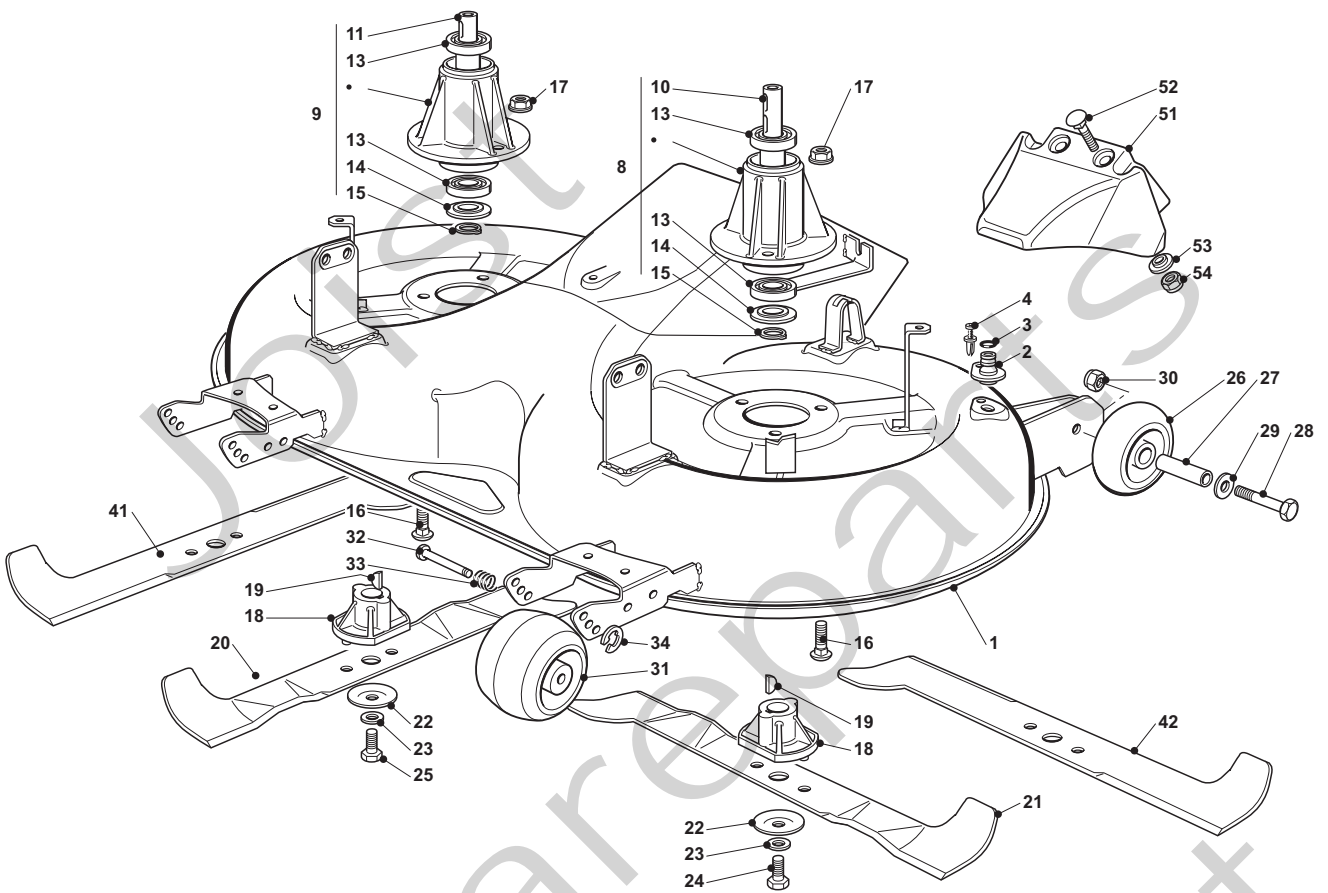


**Cutting Plate Lifting**

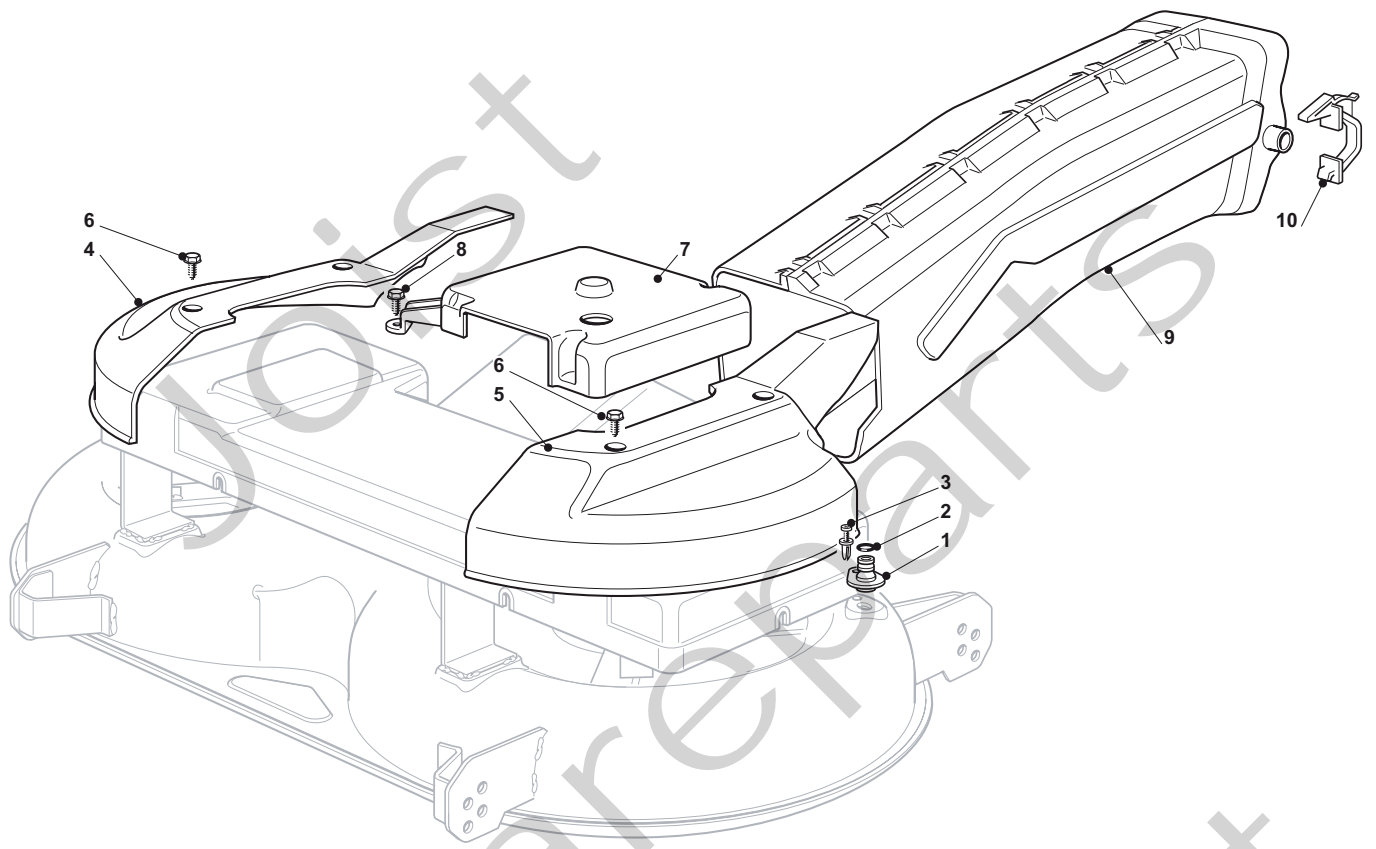
| POSITION | CODE        | Q.TY | DESCRIPTION       | NOTES |
|----------|-------------|------|-------------------|-------|
| 1        | 382785181/1 | 1    | Bracket           |       |
| 2        | 12818690/0  | 2    | Screw             |       |
| 3        | 12293201/0  | 2    | Nut               |       |
| 4        | 125520009/0 | 1    | Axle              |       |
| 5        | 22672151/0  | 1    | Washer            |       |
| 6        | 12436030/0  | 1    | Plate             |       |
| 7        | 325060037/0 | 1    | Cam               |       |
| 8        | 325394530/0 | 1    | Knob              |       |
| 9        | 112760600/0 | 1    | Screw             |       |
| 10       | 325430267/0 | 1    | Spring            |       |
| 11       | 22170600/0  | 1    | Spacer            |       |
| 12       | 12789195/0  | 1    | Screw             |       |
| 13       | 12154320/0  | 1    | Nut               |       |
| 14       | 382000615/0 | 1    | Axle              |       |
| 15       | 325785355/0 | 2    | Support           |       |
| 16       | 325034003/0 | 4    | Brass             |       |
| 17       | 325785354/0 | 2    | Support           |       |
| 19       | 125943005/0 | 1    | Screw             |       |
| 20       | 12295200/0  | 1    | Nut               |       |
| 21       | 112815271/0 | 4    | Screw             |       |
| 22       | 12523040/0  | 4    | Washer            |       |
| 23       | 12154510/0  | 4    | Nut               |       |
| 31       | 82318155/0  | 1    | Front Right Lever |       |
| 32       | 82318157/0  | 1    | Front Left Lever  |       |
| 33       | 25040605/0  | 4    | Bush              |       |
| 34       | 25318161/0  | 2    | Lever             |       |
| 35       | 12691700/0  | 2    | Screw             |       |
| 36       | 12521350/0  | 4    | Washer            |       |
| 37       | 12155000/0  | 2    | Nut               |       |
| 38       | 125510069/1 | 2    | Pin               |       |
| 39       | 12295200/0  | 4    | Nut               |       |
| 40       | 12156602/0  | 2    | Nut               |       |
| 41       | 25670008/1  | 4    | Washer            |       |
| 42       | 24487998/0  | 2    | Cotter Pin        |       |
| 43       | 82000477/2  | 2    | Connecting Rod    |       |
| 44       | 125510055/1 | 2    | Pin               |       |
| 45       | 12521350/0  | 2    | Washer            |       |
| 46       | 12155000/0  | 2    | Nut               |       |
| 47       | 12155000/0  | 2    | Nut               |       |
| 48       | 12293200/0  | 2    | Nut               |       |
| 49       | 25318153/1  | 2    | Rear Lever        |       |
| 50       | 12609255/0  | 2    | Seeger            |       |
| 51       | 325318223/0 | 2    | Gearshift         |       |
| 52       | 125510117/0 | 4    | Pin               |       |
| 53       | 25670011/0  | 4    | Washer            |       |
| 54       | 12436050/0  | 4    | Plate             |       |
| 55       | 25510056/0  | 2    | Pin               |       |
| 56       | 25670008/1  | 4    | Washer            |       |
| 57       | 12156602/0  | 2    | Nut               |       |
| 58       | 12794985/0  | 2    | Screw             |       |
| 59       | 12295200/0  | 2    | Nut               |       |
| 60       | 25510070/0  | 2    | Pin               |       |
| 61       | 12523090/0  | 2    | Washer            |       |
| 62       | 24487998/0  | 2    | Cotter Pin        |       |
| 63       | 125510117/0 | 1    | Pin               |       |
| 64       | 125510048/1 | 1    | Pin               |       |
| 65       | 25670011/0  | 2    | Washer            |       |
| 66       | 12436050/0  | 2    | Plate             |       |
| 67       | 12521350/0  | 2    | Washer            |       |



| Blades Engagement |             |      |             |       |
|-------------------|-------------|------|-------------|-------|
| POSITION          | CODE        | Q.TY | DESCRIPTION | NOTES |
| 1                 | 82547003/2  | 1    | Plate       |       |
| 2                 | 12792611/0  | 4    | Screw       |       |
| 3                 | 12293201/0  | 4    | Nut         |       |
| 4                 | 82785084/1  | 1    | Support     |       |
| 5                 | 25601559/1  | 2    | Pulley      |       |
| 6                 | 119216048/0 | 2    | Bearing     |       |
| 7                 | 12610800/0  | 2    | Snap Ring   |       |
| 8                 | 12609200/0  | 2    | Seeger      |       |
| 9                 | 25650037/0  | 1    | Stiffening  |       |
| 10                | 12793102/0  | 2    | Screw       |       |
| 11                | 12521350/0  | 2    | Washer      |       |
| 12                | 12583500/0  | 2    | Grower      |       |
| 13                | 25160003/0  | 4    | Spacer      |       |
| 14                | 25038000/0  | 4    | Bushing     |       |
| 15                | 12691700/0  | 1    | Screw       |       |
| 16                | 12691200/0  | 3    | Screw       |       |
| 17                | 12521350/0  | 4    | Washer      |       |
| 18                | 12155000/0  | 4    | Nut         |       |
| 19                | 12793900/0  | 1    | Screw       |       |
| 20                | 12293200/0  | 1    | Nut         |       |
| 21                | 25601560/0  | 2    | Pulley      |       |
| 22                | 12139480/0  | 3    | Key         |       |
| 23                | 12793102/0  | 1    | Screw       |       |
| 24                | 25670007/0  | 1    | Washer      |       |
| 25                | 12583500/0  | 1    | Grower      |       |
| 26                | 35065600/0  | 1    | Belt        |       |
| 27                | 12815200/0  | 3    | Screw       |       |
| 28                | 12292102/0  | 3    | Nut         |       |
| 29                | 12523060/0  | 1    | Washer      |       |
| 30                | 325060128/0 | 1    | Case        |       |
| 31                | 12735110/0  | 6    | Screw       |       |
| 32                | 25601550/0  | 1    | Pulley      |       |
| 33                | 12793102/0  | 1    | Screw       |       |
| 34                | 25670007/0  | 1    | Washer      |       |
| 35                | 12583500/0  | 1    | Grower      |       |
| 36                | 25160002/0  | 1    | Spacer      |       |
| 37                | 25318115/1  | 1    | Brake Lever |       |
| 38                | 12793102/0  | 1    | Screw       |       |
| 39                | 12583500/0  | 1    | Grower      |       |
| 40                | 12523070/0  | 1    | Washer      |       |
| 41                | 25601555/0  | 1    | Pulley      |       |
| 42                | 25160007/0  | 1    | Spacer      |       |
| 43                | 12818900/0  | 1    | Screw       |       |
| 44                | 12523060/0  | 1    | Washer      |       |
| 45                | 12155000/0  | 1    | Nut         |       |
| 46                | 35062811/0  | 1    | Belt        |       |
| 47                | 82004608/0  | 1    | Wire        |       |

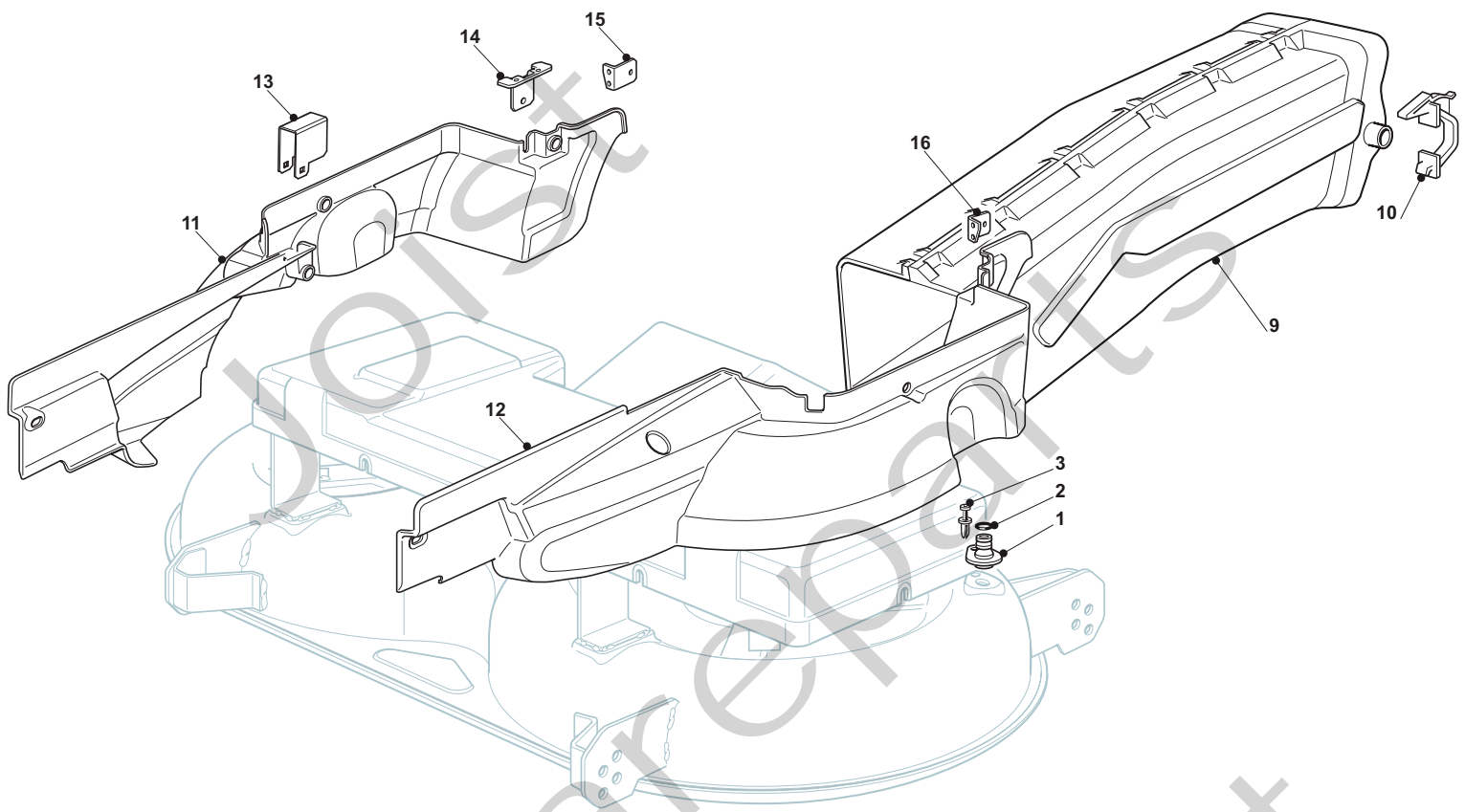


| Cutting Plate |             |      |                              |       |
|---------------|-------------|------|------------------------------|-------|
| POSITION      | CODE        | Q.TY | DESCRIPTION                  | NOTES |
| 1             | 382564131/0 | 1    | Cutting Plate Black          | *     |
| 1             | 382564132/0 | 1    | Cutting Plate Red            | *     |
| 1             | 382564133/0 | 1    | Cutting Plate Yellow         | *     |
| 2             | 25033060/0  | 2    | Water Hose Connection        |       |
| 3             | 19035000/0  | 2    | O Ring                       |       |
| 4             | 12500030/0  | 2    | Rivet                        |       |
| 8             | 82207200/1  | 1    | Main Shaft Support           |       |
| 9             | 82207201/2  | 1    | Secondary Shaft Support      |       |
| 10            | 25020800/1  | 1    | Main Blade Shaft             |       |
| 11            | 25020801/2  | 1    | Secondary Blade Shaft        |       |
| 13            | 19216032/0  | 4    | Bearing                      |       |
| 14            | 25160501/0  | 2    | Dust Cover                   |       |
| 15            | 12609260/0  | 2    | Seeger                       |       |
| 16            | 12818700/0  | 6    | Screw                        |       |
| 17            | 12154210/0  | 6    | Nut                          |       |
| 18            | 25463200/0  | 2    | Blade Hub                    |       |
| 19            | 12139100/0  | 2    | Feather                      |       |
| 20            | 82004348/0  | 1    | Right Blade Mulching, Winged |       |
| 21            | 82004347/0  | 1    | Left Blade Mulching, Winged  |       |
| 22            | 22160400/0  | 2    | Elastic Washer               |       |
| 23            | 12523080/0  | 2    | Washer                       |       |
| 24            | 12735694/0  | 1    | Screw                        |       |
| 25            | 12735695/1  | 1    | Screw                        |       |
| 26            | 182700003/0 | 2    | Anti Scalp Wheel Ø 80        |       |
| 27            | 25510072/0  | 2    | Spacer                       |       |
| 28            | 12692050/0  | 2    | Screw                        |       |
| 29            | 12523060/0  | 2    | Washer                       |       |
| 30            | 12293201/0  | 2    | Nut                          |       |
| 31            | 182700004/0 | 2    | Anti Scalp Wheel Ø 100       |       |
| 32            | 125510121/0 | 2    | Pin                          |       |
| 33            | 22450115/0  | 2    | Spring                       |       |
| 34            | 12000930/0  | 2    | Crown Fastener               |       |
| 41            | 82004341/1  | 1    | Right Blade, Winged          |       |
| 42            | 82004340/1  | 1    | Left Blade, Winged           |       |
| 51            | 325140100/0 | 1    | Deflector                    |       |
| 52            | 12815210/0  | 2    | Screw                        |       |
| 53            | 25038002/1  | 2    | Bush                         |       |
| 54            | 12154510/0  | 2    | Nut                          |       |



| Guards And Conveyor |             |      |                       |       |
|---------------------|-------------|------|-----------------------|-------|
| POSITION            | CODE        | Q.TY | DESCRIPTION           | NOTES |
| 1                   | 25033060/0  | 2    | Water Hose Connection |       |
| 2                   | 19035000/0  | 2    | O Ring                |       |
| 3                   | 12500030/0  | 2    | Rivet                 |       |
| 4                   | 25060113/0  | 1    | Guard Grey            | *     |
| 4                   | 25060104/0  | 1    | Guard Black           | *     |
| 5                   | 25060114/0  | 1    | Guard Grey            | *     |
| 5                   | 25060105/0  | 1    | Guard Black           | *     |
| 6                   | 12735403/0  | 4    | Screw                 |       |
| 7                   | 25600049/0  | 1    | Guard                 |       |
| 8                   | 12735403/0  | 3    | Screw                 |       |
| 9                   | 382108017/0 | 1    | Conveyor              |       |
| 10                  | 25774373/0  | 2    | Clamp                 |       |

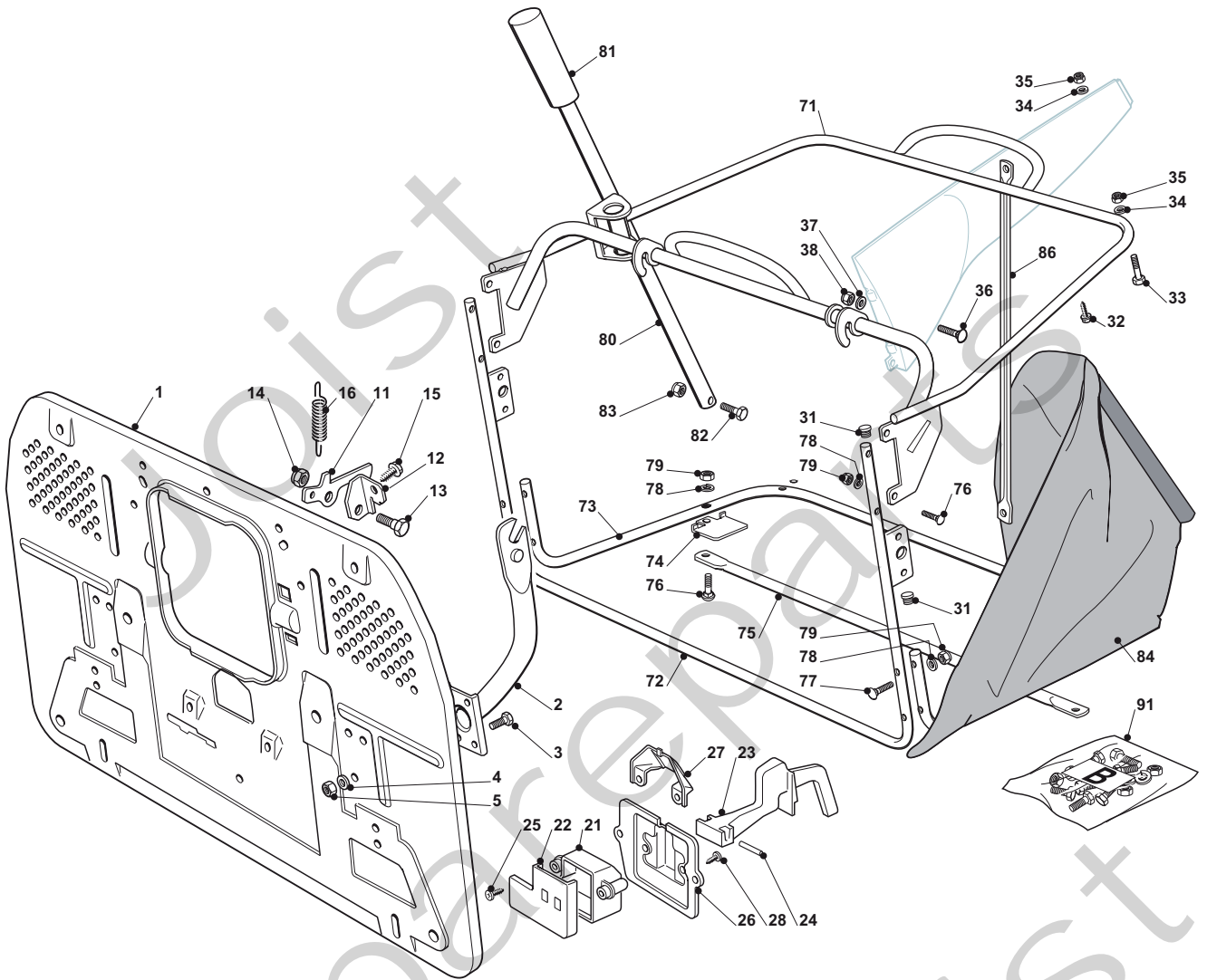
Joist  
Spareparts  
Joist





| Guards And Conveyor |             |      |                       |       |
|---------------------|-------------|------|-----------------------|-------|
| POSITION            | CODE        | Q.TY | DESCRIPTION           | NOTES |
| 1                   | 25033060/0  | 2    | Water Hose Connection |       |
| 2                   | 19035000/0  | 2    | O Ring                |       |
| 3                   | 12500030/0  | 2    | Rivet                 |       |
| 9                   | 382108017/0 | 1    | Conveyor              |       |
| 10                  | 25774373/0  | 2    | Clamp                 |       |
| 11                  | 325060150/0 | 1    | Protection            |       |
| 12                  | 325060151/0 | 1    | Protection            |       |
| 13                  | 325774267/0 | 2    | Clamp                 |       |
| 14                  | 325774423/0 | 2    | Clamp                 |       |
| 15                  | 325774425/0 | 1    | Clamp                 |       |
| 16                  | 325774421/0 | 1    | Clamp                 |       |

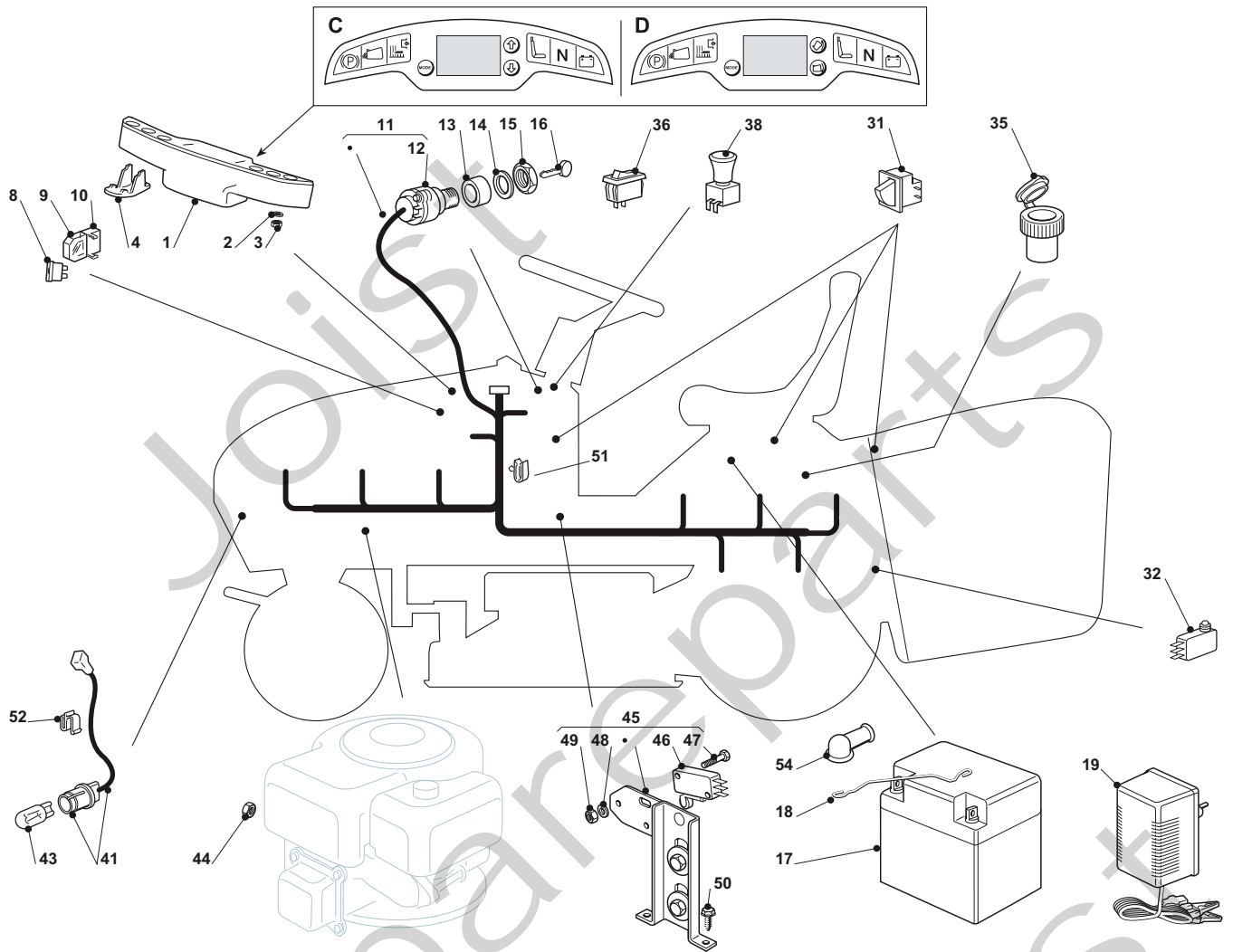
Joist  
Spareparts  
Joist



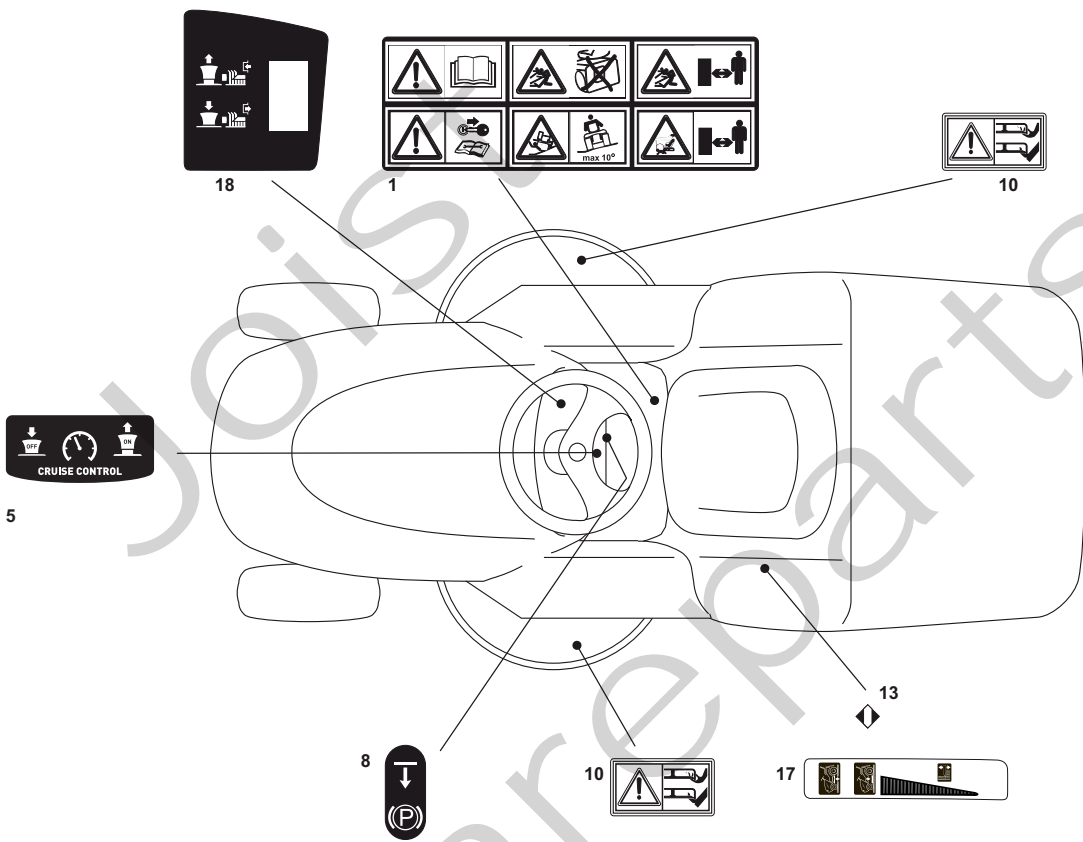
## Grasscatcher

for model with manuel grasscatcher lifting

| POSITION | CODE        | Q.TY | DESCRIPTION      | NOTES |
|----------|-------------|------|------------------|-------|
| 1        | 382547051/0 | 1    | Plate            |       |
| 2        | 82774225/1  | 2    | Support          |       |
| 3        | 12793102/0  | 6    | Screw            |       |
| 4        | 12523060/0  | 6    | Washer           |       |
| 5        | 12293201/0  | 6    | Nut              |       |
| 11       | 325774417/0 | 1    | Clamp            |       |
| 12       | 325755031/1 | 1    | Bracket          |       |
| 13       | 125510080/1 | 1    | Pin              |       |
| 14       | 12292102/0  | 1    | Nut              |       |
| 15       | 12735122/0  | 1    | Screw            |       |
| 16       | 27430579/0  | 1    | Spring           |       |
| 21       | 25600041/0  | 1    | Micro Protection |       |
| 22       | 25600042/0  | 1    | Protection Cover |       |
| 23       | 25318124/0  | 1    | Lever            |       |
| 24       | 12400030/0  | 1    | Pin              |       |
| 25       | 12728510/0  | 1    | Screw            |       |
| 26       | 25785272/0  | 1    | Micro Protection |       |
| 27       | 25600048/0  | 1    | Deflector Cover  |       |
| 28       | 12728450/0  | 2    | Screw            |       |
| 31       | 18566110/0  | 4    | Cap              |       |
| 32       | 12735410/0  | 4    | Screw            |       |
| 33       | 12689500/0  | 2    | Screw            |       |
| 34       | 12521330/0  | 4    | Washer           |       |
| 35       | 12154510/0  | 4    | Nut              |       |
| 36       | 12815220/0  | 2    | Screw            |       |
| 37       | 12521330/0  | 2    | Washer           |       |
| 38       | 12154510/0  | 2    | Nut              |       |
| 71       | 382800123/1 | 1    | Upper Frame      |       |
| 72       | 382800089/1 | 1    | Front Frame      |       |
| 73       | 325800031/0 | 1    | Lower Frame      |       |
| 74       | 25547131/0  | 1    | Plate            |       |
| 75       | 382650039/0 | 1    | Lower Stiffening |       |
| 76       | 12815220/0  | 6    | Screw            |       |
| 77       | 12815245/0  | 4    | Screw            |       |
| 78       | 12521330/0  | 10   | Washer           |       |
| 79       | 12154510/0  | 10   | Nut              |       |
| 80       | 25869029/1  | 1    | Rod              |       |
| 81       | 25394508/0  | 1    | Handle           |       |
| 82       | 12674550/0  | 1    | Screw            |       |
| 83       | 12154510/0  | 1    | Nut              |       |
| 84       | 182105945/0 | 1    | Grasscatcher     |       |
| 86       | 325650159/0 | 1    | Rear Stiffening  |       |
| 91       | 382180116/0 | 1    | Screws Outfit    |       |

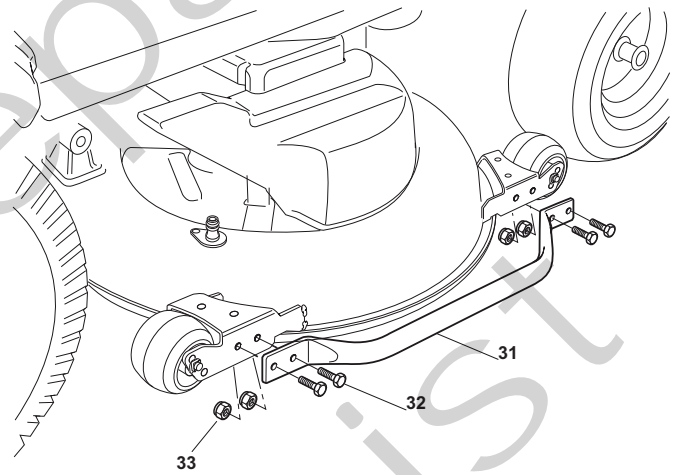
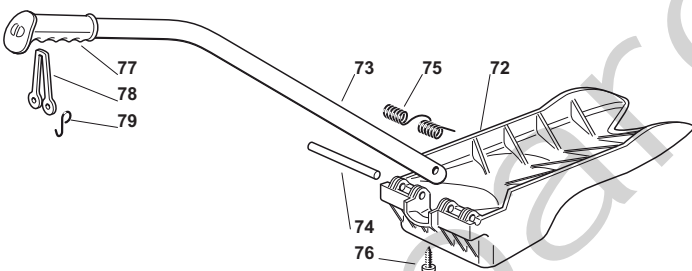
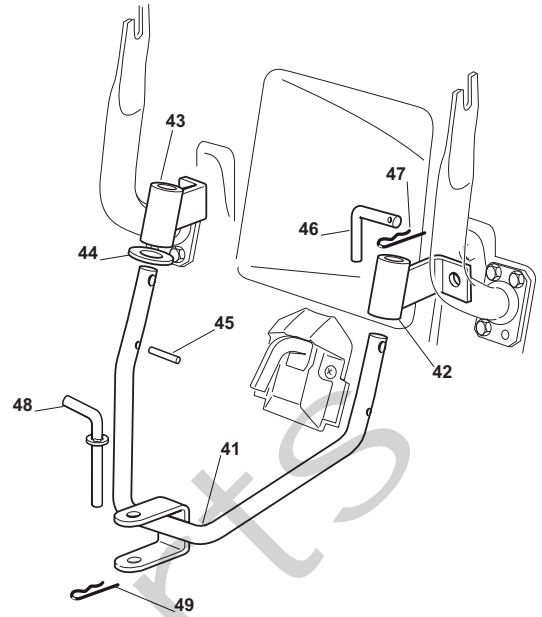
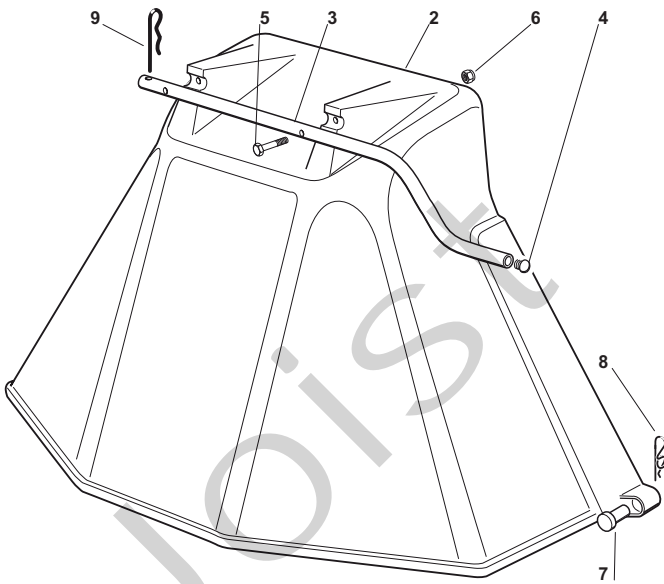


| Electrical Parts |              |      |                            |  |
|------------------|--------------|------|----------------------------|--|
| POSITION         | CODE         | Q.TY | DESCRIPTION                | NOTES  |
| 1                | 382722423/2  | 1    | Cards + Guards (C)         |  |
| 1                | 382722422/3  | 1    | Cards + Guards (D)         |  |
| 2                | 12521320/0   | 2    | Washer                     |  |
| 3                | 12154330/0   | 2    | Nut                        |  |
| 4                | 25031501/0   | 1    | Deflector                  |  |
| 8                | 33340040/0   | 1    | Fuse 10A                   | only for models with man. grasscatcher lifting           |
| 8                | 33340036/0   | 1    | Fuse 25 A                  | only for models with man. grasscatcher lifting           |
| 9                | 33215000/0   | 2    | Cover                      | only for models with man. grasscatcher lifting           |
| 10               | 33500007/0   | 2    | Fuse Carrier               | only for models with man. grasscatcher lifting           |
| 8                | 33340040/0   | 1    | Fuse 10A                   | only for models with ele. grasscatcher lifting           |
| 8                | 33340036/0   | 1    | Fuse 25 A                  | only for models with ele. grasscatcher lifting           |
| 8                | 33340035/0   | 1    | Fuse 15 A                  | only for models with ele. grasscatcher lifting           |
| 9                | 33215000/0   | 3    | Cover                      | only for models with ele. grasscatcher lifting           |
| 10               | 33500007/0   | 3    | Fuse Carrier               | only for models with ele. grasscatcher lifting           |
| 11               | 182040179/0  | 1    | Cables Ass.Y (B&S)         | only for models with Briggs & Stratton and Kohler engine |
| 11               | 182040180/0  | 1    | Cables Ass.Y (Honda)       | only for models with Honda engines                       |
| 12               | 18450072/0   | 1    | Starting Switch            |  |
| 13               | 18550136/0   | 1    | Spacer                     |  |
| 14               | 18550135/0   | 1    | Washer                     |  |
| 15               | 18400862/0   | 1    | Ringnut                    |  |
| 16               | 18210022/0   | 1    | Starting Key               |  |
| 17               | 118120057/0  | 1    | Battery                    |  |
| 18               | 25430230/0   | 1    | Spring                     |  |
| 19               | 182180090/0  | 1    | Battery Charger            | EU plug  |
| 19               | 182180091/0  | 1    | Battery Charger (U.K.)     | UK plug  |
| 31               | 119410615/0  | 3    | Microswitch                |  |
| 32               | 19410605/1   | 1    | Full Grasscatc. Micro      |  |
| 35               | 9400-0317-01 | 1    | Auxiliary Accessory Socket |  |
| 36               | 18450060/1   | 1    | Farilamp Switch            |  |
| 38               | 18450068/0   | 1    | Clutch Switch              |  |
| 41               | 82040073/0   | 1    | Cable                      |  |
| 43               | 18459100/0   | 2    | Farilamp For Lights        |  |
| 44               | 12361005/0   | 1    | Nut                        |  |
| 45               | 382394853/0  | 1    | Switch Ass.Y               |  |
| 46               | 19410609/0   | 1    | Microswitch                |  |
| 47               | 12735602/0   | 2    | Screw                      |  |
| 48               | 12581100/0   | 2    | Grower                     |  |
| 49               | 12290791/0   | 2    | Nut                        |  |
| 50               | 12735110/0   | 2    | Screw                      |  |
| 51               | 33320506/0   | 5    | Fairlead                   |  |
| 52               | 33320504/0   | 1    | Fairlead                   |  |
| 54               | 18564864/1   | 1    | Protection                 |  |



| Labels   |             |      |             |       |
|----------|-------------|------|-------------|-------|
| POSITION | CODE        | Q.TY | DESCRIPTION | NOTES |
| 1        | 14361553/0  | 1    | Label       |       |
| 5        | 114365612/0 | 1    | Label       |       |
| 10       | 114356699/1 | 2    | Label       |       |
| 13       | 14357913/0  | 1    | Label       |       |
| 17       | 114363414/0 | 1    | Label       |       |
| 18       | 14360715/2  | 1    | Label       |       |

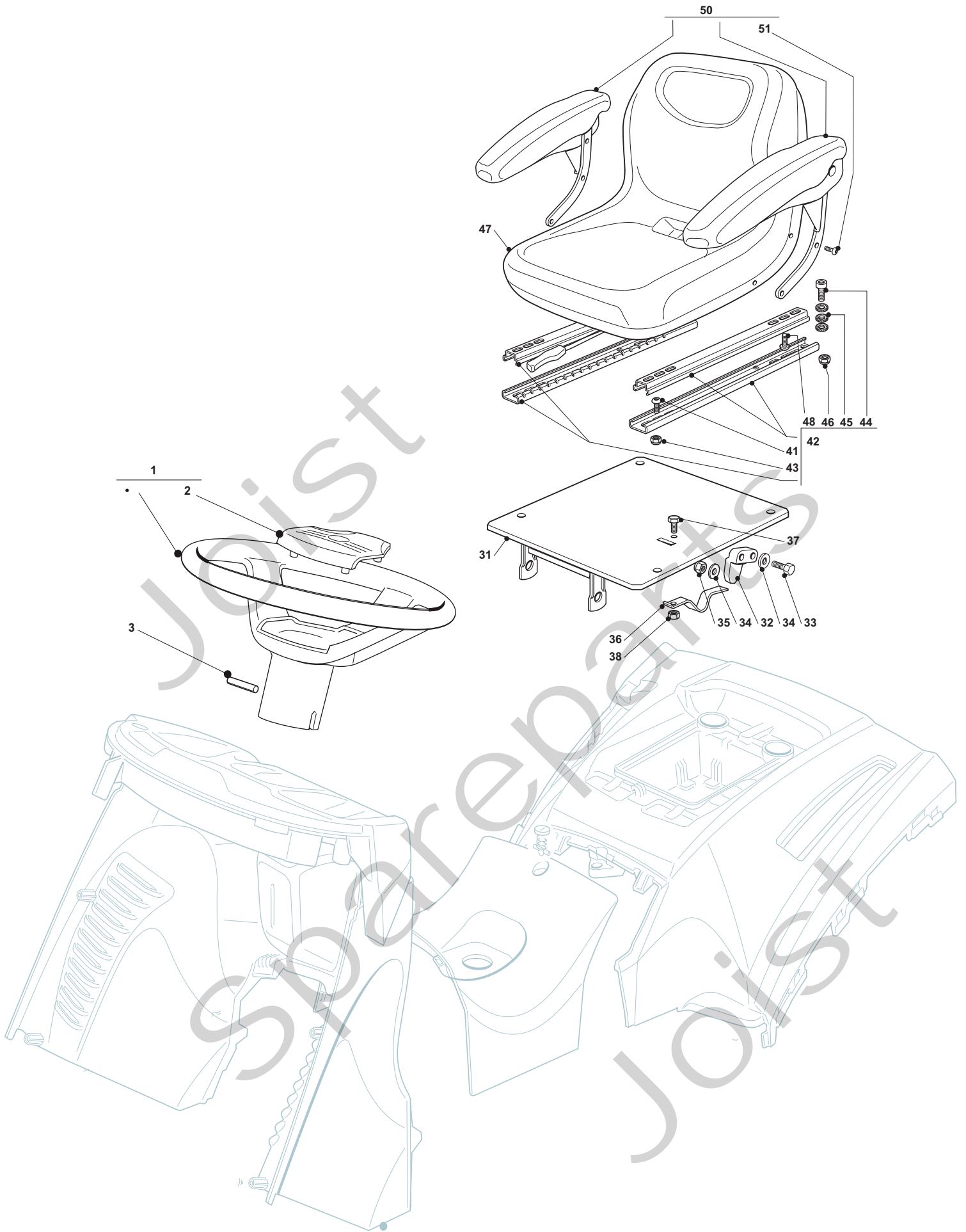
Joist  
Spareparts  
Joist





Optionals On Request

| POSITION | CODE        | Q.TY | DESCRIPTION                  | NOTES |
|----------|-------------|------|------------------------------|-------|
| 2        | 82400003/1  | 1    | Ejection Guard               |       |
| 3        | 25869043/0  | 1    | Support                      |       |
| 4        | 18566112/0  | 2    | Cap                          |       |
| 5        | 12689515/0  | 2    | Screw                        |       |
| 6        | 12154510/0  | 2    | Nut                          |       |
| 7        | 25510022/0  | 2    | Pin                          |       |
| 8        | 24487998/0  | 2    | Cotter Pin                   |       |
| 9        | 24487999/0  | 1    | Cotter Pin                   |       |
| 31       | 325869081/0 | 2    | Guard                        |       |
| 32       | 12793102/0  | 6    | Screw                        |       |
| 33       | 12155000/0  | 6    | Nut                          |       |
| 41       | 382033113/0 | 1    | Rod                          |       |
| 42       | 382774265/0 | 1    | Bracket Ri_ht Hitch Sup. ort |       |
| 43       | 382774267/0 | 1    | Bracket Left Hitch Support   |       |
| 44       | 112521395/0 | 2    | Screw                        |       |
| 45       | 12620305/0  | 2    | Pin                          |       |
| 46       | 125510118/0 | 2    | Pin                          |       |
| 47       | 24487997/0  | 2    | Cotter Pin                   |       |
| 48       | 25510021/1  | 1    | Pin                          |       |
| 49       | 24487999/0  | 1    | Cotter Pin                   |       |
| 72       | 325140097/0 | 1    | Deflector                    |       |
| 73       | 325394019/0 | 1    | Handle                       |       |
| 74       | 25510077/0  | 1    | Pin                          |       |
| 75       | 25430245/0  | 1    | Spring                       |       |
| 76       | 12735405/0  | 1    | Screw                        |       |
| 77       | 25280000/1  | 1    | Handgrip                     |       |
| 78       | 25840011/1  | 1    | Elastic Tie-Rod              |       |
| 79       | 25253004/0  | 2    | Hook                         |       |



| Seat & Steering Wheel |             |      |                  |       |
|-----------------------|-------------|------|------------------|-------|
| POSITION              | CODE        | Q.TY | DESCRIPTION      | NOTES |
| 1                     | 25961210/0  | 1    | Steering Wheel   |       |
| 2                     | 25580501/0  | 1    | Cap              |       |
| 3                     | 12620299/0  | 1    | Pin              |       |
| 31                    | 382735809/0 | 1    | Fixed Seat Supp. |       |
| 32                    | 25060033/0  | 1    | Cam              |       |
| 33                    | 12815050/0  | 2    | Screw            |       |
| 34                    | 12521320/0  | 4    | Washer           |       |
| 35                    | 12372550/0  | 2    | Nut              |       |
| 36                    | 125430275/0 | 1    | Spring           |       |
| 37                    | 12789195/0  | 1    | Screw            |       |
| 38                    | 12154330/0  | 1    | Nut              |       |
| 41                    | 12760605/0  | 4    | Screw            |       |
| 42                    | 382180115/0 | 1    | Guide Assy       |       |
| 43                    | 12155000/0  | 4    | Nut              |       |
| 44                    | 12760515/0  | 1    | Screw            |       |
| 45                    | 12540060/0  | 3    | Washer           |       |
| 46                    | 12155000/0  | 1    | Nut              |       |
| 47                    | 125722473/0 | 1    | Seat             |       |
| 48                    | 12760605/0  | 4    | Screw            |       |
| 50                    | 382180112/0 | 1    | Arm-Rest Assy    |       |
| 51                    | 12760605/0  | 6    | Screw            |       |

Joist Spareparts Joist