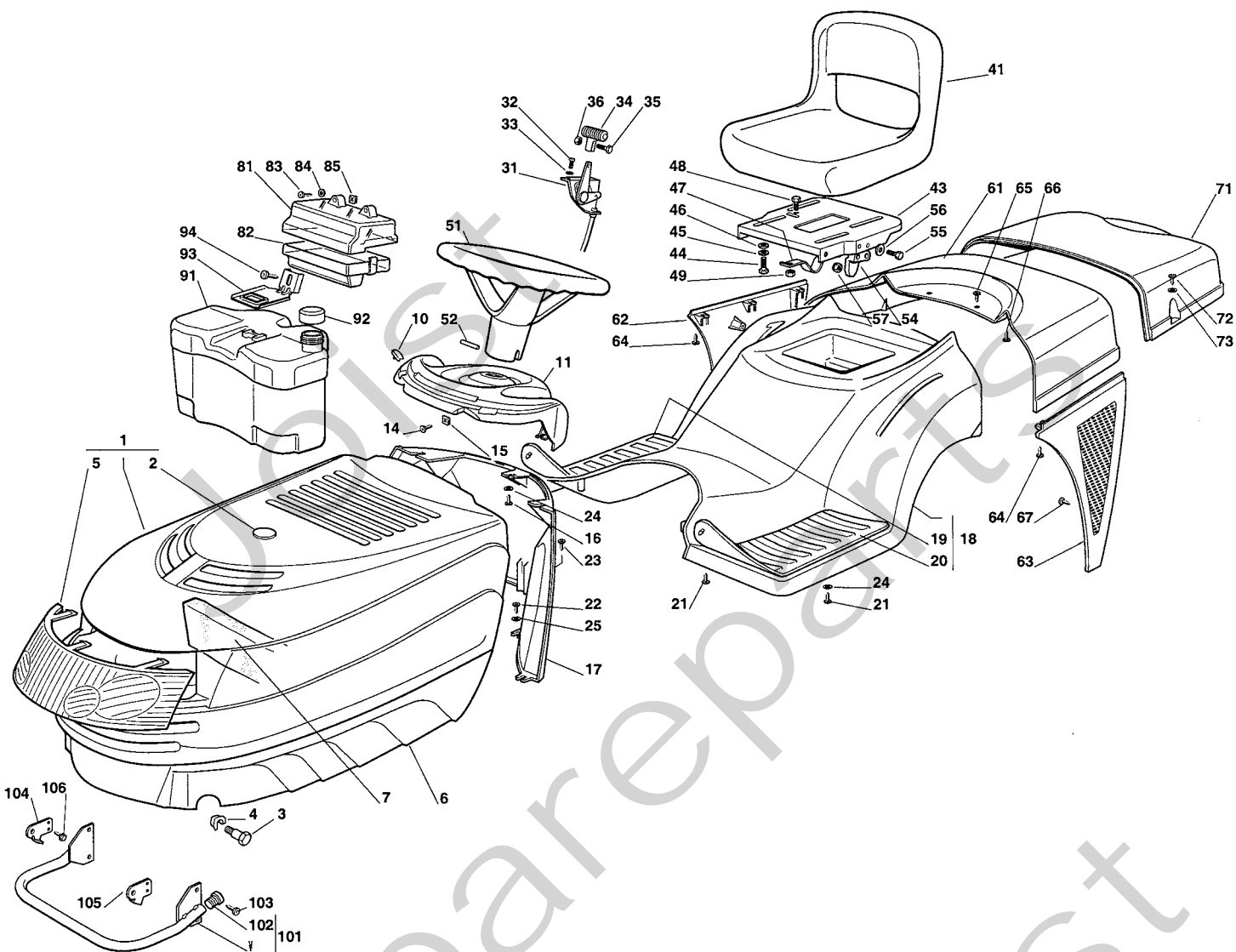


# Genuine Spare Parts

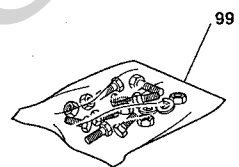
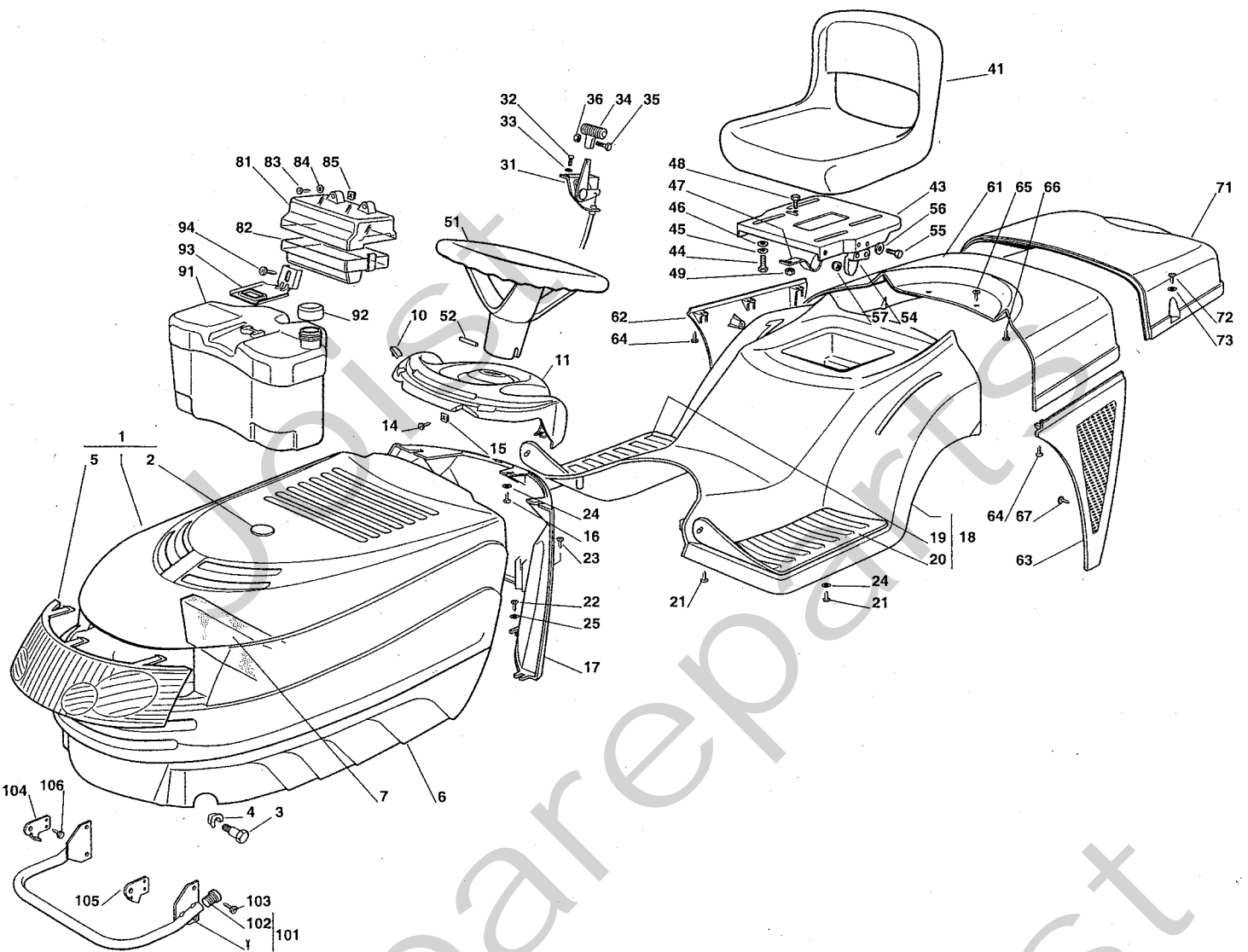
---



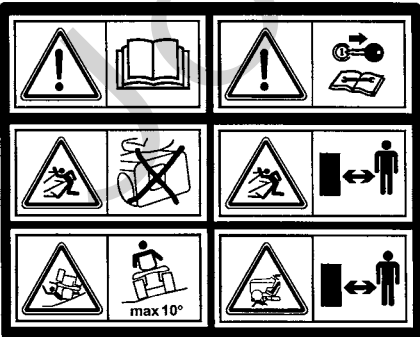
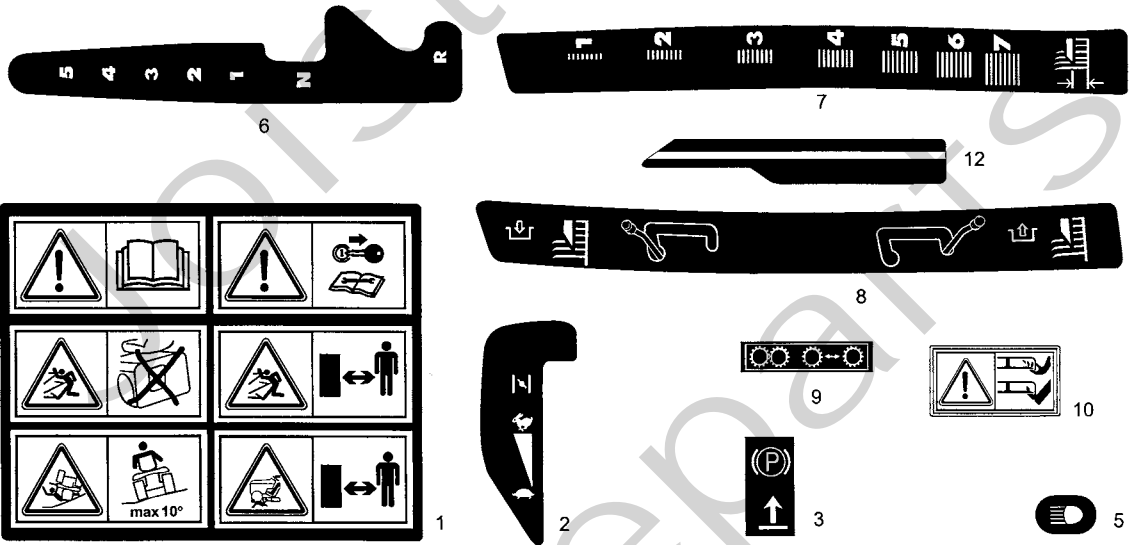
Joist  
Spareparts  
Joist



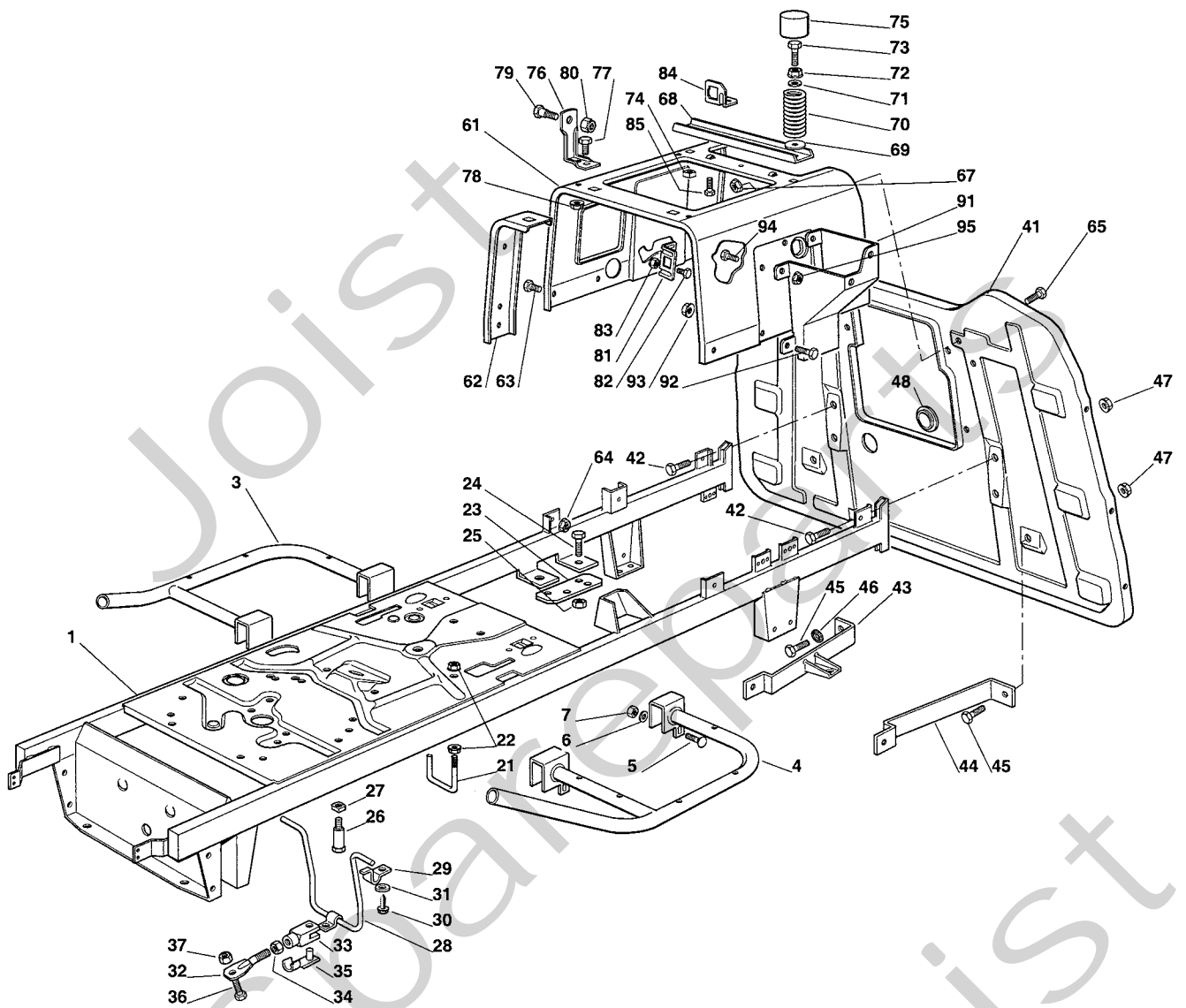
Utgåva Issue		Bildnr Picture No		ESTATE SENATOR ESTATE PRESIDENT KAROSS		ESTATE SENATOR ESTATE PRESIDENT BODY WORK		Sida Page	
2004-13		1212C						60	
Pos. Fig.	Antal/Quantity			Art nr Part No	Benämning	Description	Sats Kit	Anmärkning Notes	
	2531	2532							
1	1	1		1136-1038-01	Motorhuv.....	Engine hood.....		Inkl. pos 2, 5	
2	1	1		1136-0905-01	• Platta.....	• Plate.....			
3	2	2		1136-0230-01	Bult.....	Bolt.....			
4	2	2		1136-0009-01	Låsplatta.....	Lock plate.....			
5	1	1		1136-0888-01	• Grill.....	• Grill.....			
6	1	1		1136-0866-01	Motorhuv- nedre.....	Engine hood- lower.....			
7	1	1		1136-0923-01	Avskiljare.....	Intake separator.....			
10	2	2		1136-0179-01	Huvskydd.....	Grommet.....			
11	1	1		1136-0871-01	Instrumentbräda.....	Dashboard.....			
14	2	2		9848-8013-16	Skruv.....	Screw.....			
15	2	2		1136-0010-01	Låsplatta.....	Lock plate.....			
16	3	3		9836-9618-12	Skruv.....	Screw.....			
17	1	1		1136-0926-01	Stöd.....	Support.....			
18	1			1136-0475-01	Hjulkäpa.....	Wheel cover.....		Inkl. pos 19, 20	
18		1		1136-0476-01	Hjulkäpa.....	Wheel cover.....		Inkl. pos 19, 20	
19	1	1		1136-0148-01	• Fotstegsskydd- hö.....	• Footboard cover- RH.....			
20	1	1		1136-0147-01	• Fotstegsskydd- vä.....	• Footboard cover- LH.....			
21	6	6		9836-9635-12	Skruv.....	Screw.....			
22	4	4		9836-9618-12	Skruv.....	Screw.....			
23	1	1		9836-9525-12	Skruv.....	Screw.....			
24	5	5		9699-0060-02	Planbricka.....	Flat washer.....			
25	4	4		9699-0085-02	Planbricka.....	Flat washer.....			
31	1	1		1136-0440-01	Gasreglage.....	Throttle control.....			
32	2	2		9997-0412-16	Skruv.....	Screw.....			
33	2	2		9683-0010-02	Bricka.....	Washer.....			
34	1	1		1136-0192-01	Knopp.....	Handle.....			
35	1	1		9865-0412-16	Skruv.....	Screw.....			
36	1	1		9799-0431-02	Mutter.....	Nut.....			
41	1	1		1136-0315-01	Sits.....	Seat.....			
43	1	1		1136-0252-01	Sitsplatta.....	Seat plate.....			
44	4	4		9997-0820-16	• Skruv.....	• Screw.....			
45	4	4		9683-0030-02	• Låsbricka.....	• Lock washer.....			
46	4	4		9699-0056-02	• Planbricka.....	• Flat washer.....			
47	1	1		1136-0891-01	Fjäder.....	Spring.....			
48	1	1		9997-0512-16	Skruv.....	Screw.....			
49	1	1		9747-0531-02	Mutter.....	Nut.....			
51	1	1		1136-0360-01	Ratt.....	Steering wheel.....			
52	1	1		9595-0272-00	• Stiff.....	• Pin.....			
54	1	1		1136-0942-01	Kam.....	Cam.....			
55	2	2		1136-0820-01	Skruv.....	Screw.....			
56	2	2		9699-0018-02	Bricka.....	Washer.....			
57	2	2		9747-0531-02	Mutter.....	Nut.....			
61	1	1		1136-0143-01	Lock.....	Cover.....			
62	1	1		1136-0277-01	Skydd- hö.....	Guard- RH.....			
63	1	1		1136-0278-01	Skydd- vä.....	Guard- LH.....			
64	6	6		9836-9618-12	Skruv.....	Screw.....			
65	2	2		9847-8216-16	Skruv.....	Screw.....			
66	3	3		9836-9618-12	Skruv.....	Screw.....			
67	6	6		9836-9618-12	Skruv.....	Screw.....			
71	1	1		1136-0142-01	Uppsamlarlock.....	Grass catcher cover.....			
72	4	4		9847-8116-16	Skruv.....	Screw.....			
73	4	4		9699-0035-02	Planbricka.....	Flat washer.....			
81	1	1		1136-0275-01	Skydd- övre.....	Guard- upper.....			
82	1	1		1136-0276-01	Skydd- nedre.....	Guard- lower.....			
83	2	2		9847-8038-16	Skruv.....	Screw.....			
84	2	2		9699-0024-02	Planbricka.....	Flat washer.....			
85	2	2		1136-0010-01	Låsplatta.....	Lock plate.....			
91	1	1		1136-0318-01	Bränsletank.....	Fuel tank.....			
92	1	1		1136-0344-01	Tanklock.....	Tank cap.....			
93	1	1		1136-0327-01	Tankfäste.....	Tank support.....			
94	1	1		9848-8013-16	Skruv.....	Screw.....			
99	1	1		1136-1238-01	Tillbehörspåse.....	Key outfit.....		Inkl. pos 44 - 46, 52	
101	1	1		1136-0553-01	Ljuddämparskydd.....	Muffler protection.....		Inkl. pos 102	



Utgåva Issue 2004-13		Bildnr Picture No 1212C		ESTATE SENATOR ESTATE PRESIDENT KAROSS		ESTATE SENATOR ESTATE PRESIDENT BODY WORK		Sida Page 62	
Pos. Fig.	Antal/Quantity			Art nr Part No	Benämning	Description	Sats Kit	Anmärkning Notes	
	2531	2532							
102	2	2		1136-0061-01	• Plugg .....	• Cap .....			
103	4	4		9847-8216-16	Skruv .....	Screw .....			
104	1	1		1136-0259-01	Huvfäste-hö .....	Hood plate-RH .....			
105	1	1		1136-0260-01	Huvfäste-vä .....	Hood plate-LH .....			
106	4	4		9847-8009-16	Skruv .....	Screw .....			

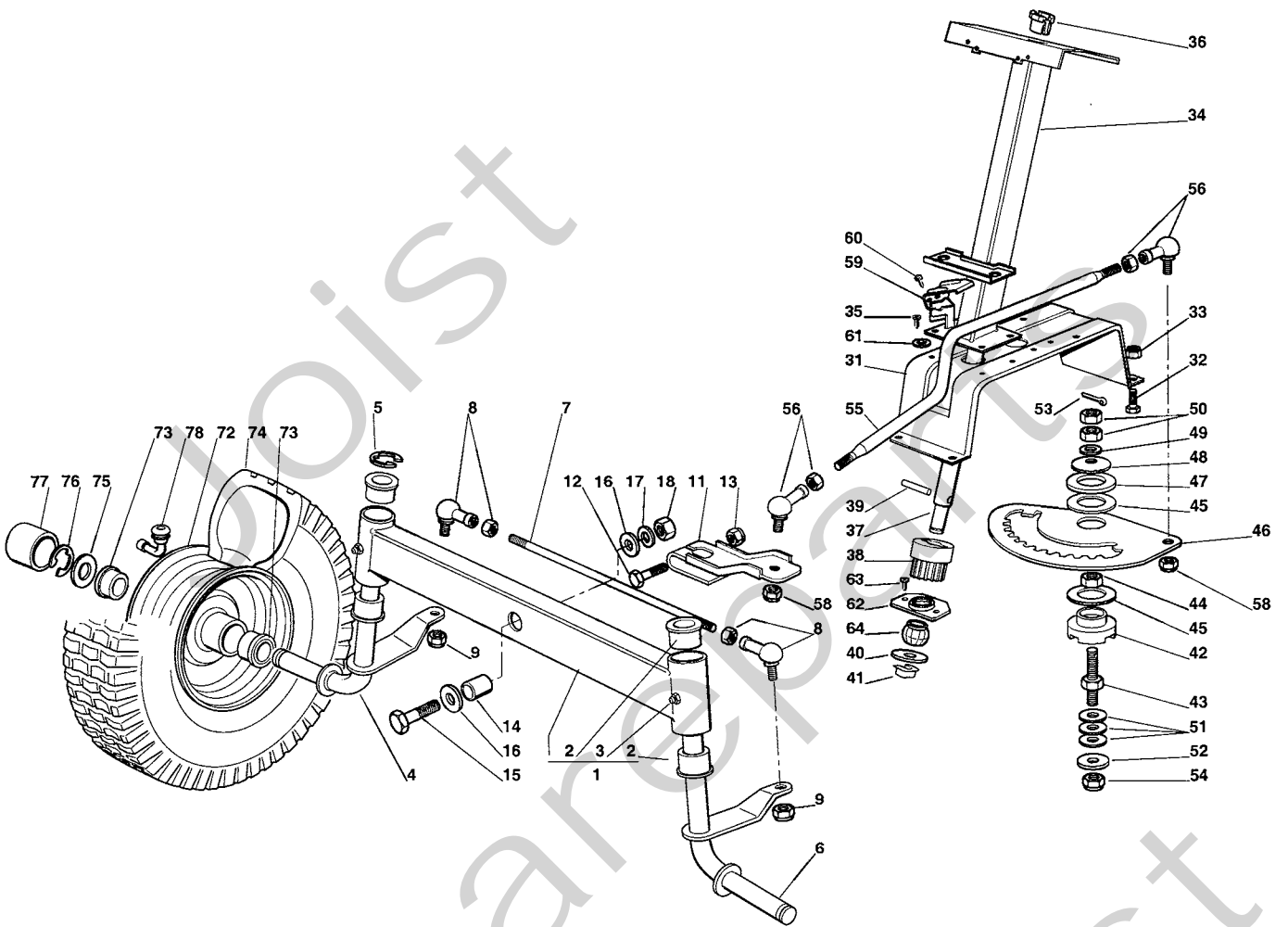


Utgåva Issue 2004-13		Bildnr Picture No 1208B		ESTATE SENATOR ESTATE PRESIDENT DEKALER		ESTATE SENATOR ESTATE PRESIDENT LABELS		Sida Page 64	
Pos. Fig.	Antal/Quantity			Art nr Part No	Benämning	Description	Sats Kit	Anmärkning Notes	
	2531	2532							
	1	1		1136-0025-01	Dekal .....	Label .....			
	2	1		1136-0026-01	Dekal .....	Label .....			
	3	1		1136-0020-01	Dekal .....	Label .....			
	5	1		1136-0031-01	Dekal .....	Label .....			
	6	1		1136-0027-01	Dekal .....	Label .....			
	7	1	1	1136-0028-01	Dekal .....	Label .....			
	8	1	1	1136-0029-01	Dekal .....	Label .....			
	9	1	1	1136-0030-01	Dekal .....	Label .....			
	10	2	2	1136-0021-01	Dekal .....	Label .....			
	12	1	1	1136-1217-01	Dekal .....	Label .....			
X	99	1		1136-1445-01	Dekal "Senator" .....	Label "Senator" .....		Ej ill/not ill.	
X	99		1	1136-1446-01	Dekal "President" .....	Label "President" .....		Ej ill/not ill.	
X	99	1	1	1136-1451-01	Dekal "STIGA" .....	Label "STIGA" .....		Ø 55 mm	
X	99	3	3	1136-1453-01	Dekal "STIGA" .....	Label "STIGA" .....		140 x 33 mm	

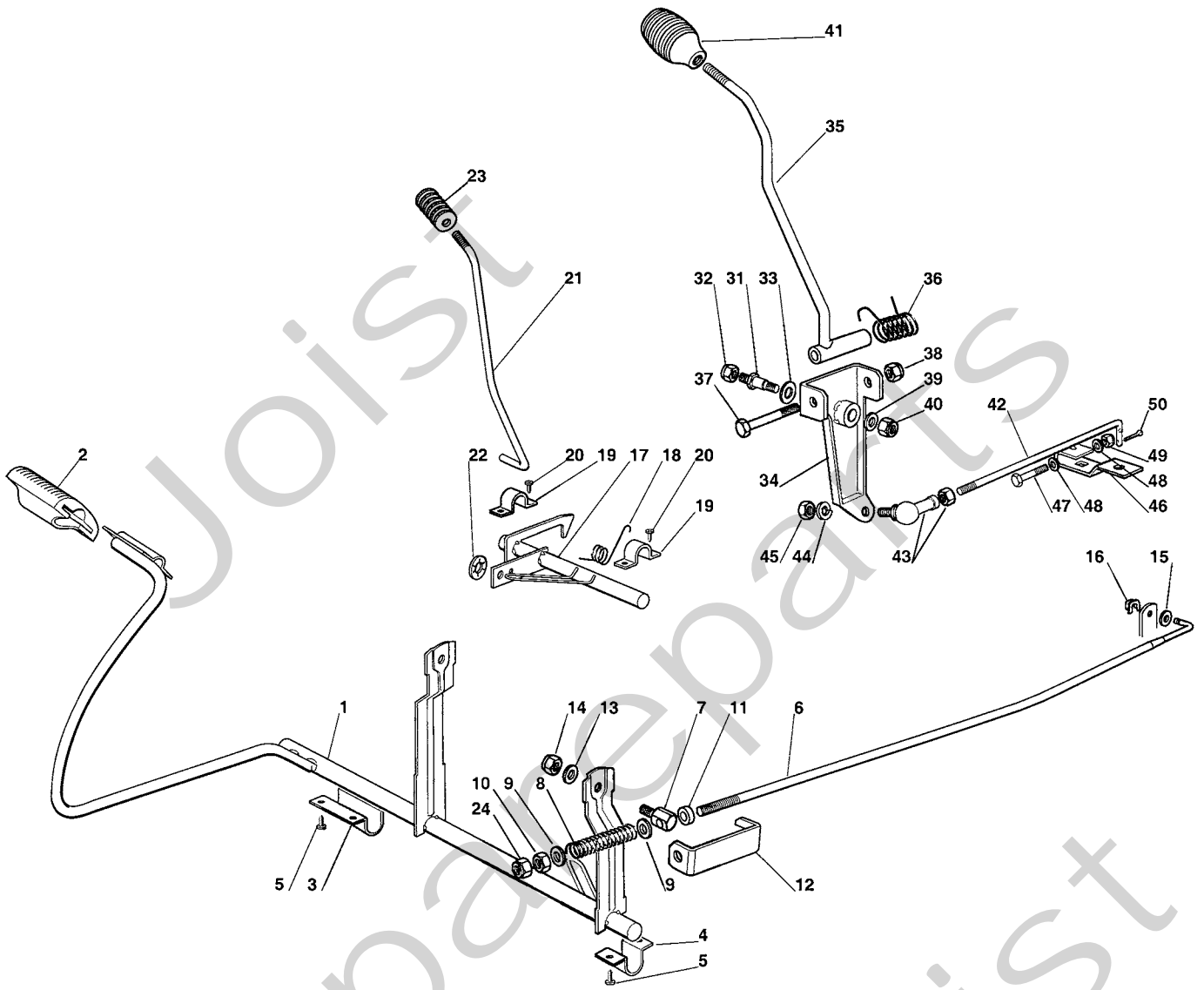




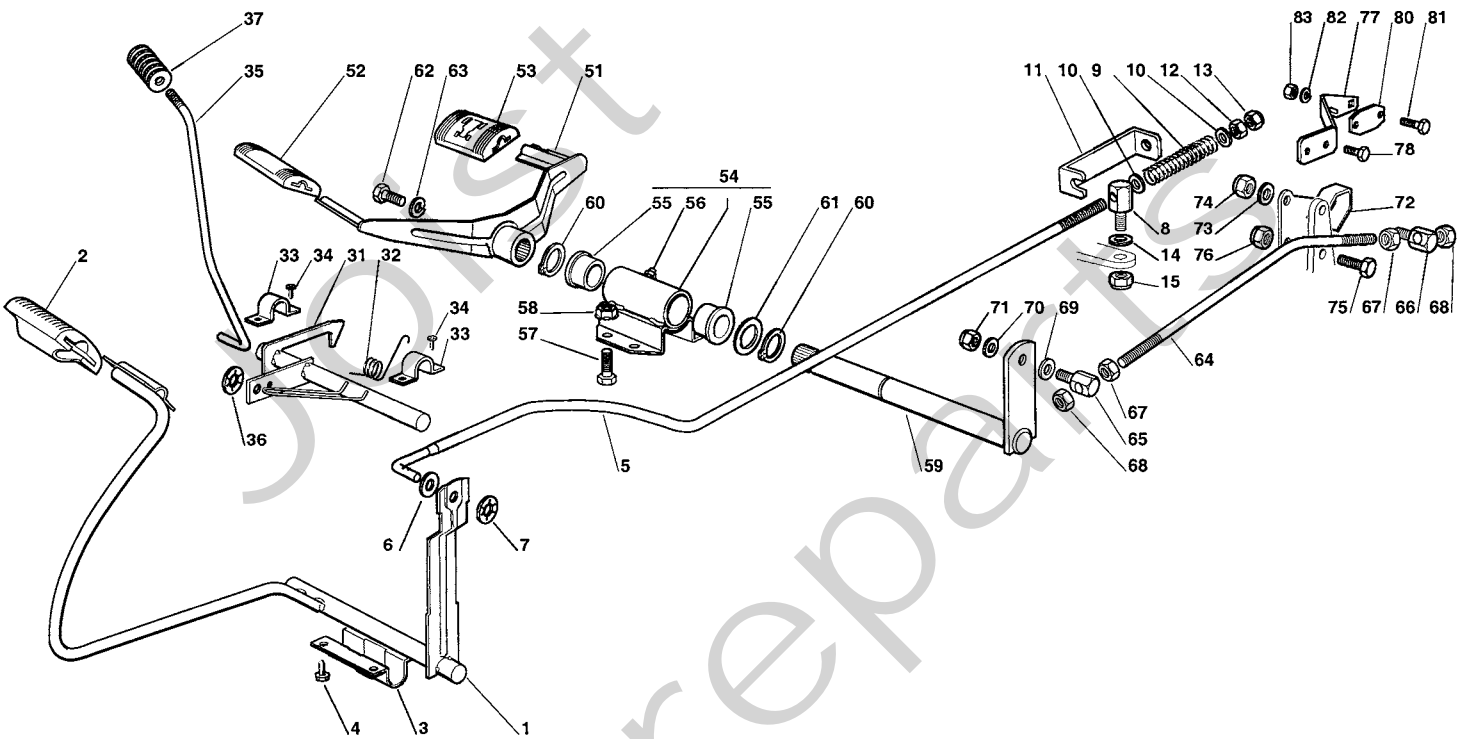
Utgåva Issue 2004-13		Bildnr Picture No 1211C		ESTATE SENATOR ESTATE PRESIDENT CHASSI		ESTATE SENATOR ESTATE PRESIDENT CHASSIS		Sida Page 66	
Pos. Fig.	Antal/Quantity			Art nr Part No	Benämning	Description	Sats Kit	Anmärkning Notes	
	2531	2532							
X 1	1	1		1136-1499-01	Ram .....	Frame .....			
3	1	1		1136-0548-01	Fotstegsstöd- hö .....	Footboard support- RH .....			
4	1	1		1136-0549-01	Fotstegsstöd- vä .....	Footboard support- LH .....			
5	4	4		9898-0645-12	Skruv .....	Screw .....			
6	4	4		9699-0060-02	Planbricka .....	Flat washer .....			
7	4	4		9747-0631-02	Låsmutter .....	Lock nut .....			
21		1		1136-0267-01	Remstyrning .....	Belt guide .....			
22		2		9739-0631-22	Mutter .....	Nut .....			
23	2	2		1136-0261-01	Platta .....	Plate .....			
24	2	2		9997-0820-16	Skruv .....	Screw .....			
25	2	2		9747-0831-02	Mutter .....	Lock nut .....			
26	2			1136-0907-01	Remstyrning .....	Belt guide .....			
27	2			1136-0004-01	Fyrkantmutter .....	Square nut .....			
28	1	1		1136-1236-01	Remstyrning .....	Belt guide .....			
29	2	2		1136-1247-01	Platta .....	Plate .....			
30	2	2		9847-8216-16	Skruv .....	Screw .....			
31	2	2		9699-0060-02	Planbricka .....	Flat washer .....			
32	1	1		1136-1281-01	Justerstång .....	Tie rod .....			
33	1	1		1136-0047-01	Gaffel .....	Fork .....			
34	1	1		9799-0631-02	Mutter .....	Nut .....			
35	1	1		1136-0042-01	Låsbult .....	Clip bolt .....			
36	1	1		9997-0820-16	Skruv .....	Screw .....			
37	1	1		9739-0831-22	Mutter .....	Nut .....			
41	1	1		1136-0515-01	Plåt- bak .....	Plate- rear .....			
42	2	2		9997-0816-16	Skruv .....	Screw .....			
43	1	1		1136-0525-01	Förstärkningsstag- hö .....	Reinforcement plate- R .....			
44	1	1		1136-0300-01	Förstärkningsstag- vä .....	Reinforcement plate- L .....			
45	4	4		9997-0816-16	Skruv .....	Screw .....			
46	1	1		9677-0009-02	Låsbricka .....	Lock washer .....			
47	6	6		9739-0831-22	Mutter .....	Nut .....			
48	1	1		1136-0082-01	Lock .....	Cap .....			
61	1	1		1136-0337-01	Sitsfäste .....	Seat support .....			
62	2	2		1136-0301-01	Förstärkningsstag .....	Reinforcement plate .....			
63	4	4		9997-0614-16	Skruv .....	Screw .....			
64	4	4		9739-0631-22	Mutter .....	Nut .....			
65	4	4		9997-0614-16	Skruv .....	Screw .....			
67	4	4		9739-0631-22	Mutter .....	Nut .....			
68	1	1		1136-0302-01	Förstärkningsstag .....	Reinforcement plate .....			
69	2	2		9699-0056-02	Planbricka .....	Flat washer .....			
70	2	2		1136-0202-01	Fjäder .....	Spring .....			
71	2	2		9699-0090-02	Planbricka .....	Flat washer .....			
72	2	2		9739-0831-22	Mutter .....	Nut .....			
73	2	2		1136-0358-01	Skruv .....	Screw .....			
74	2	2		1136-0003-01	Fyrkantmutter .....	Square nut .....			
75	2	2		1136-0156-01	Lock .....	Cap .....			
76	2	2		1136-0321-01	Vinkelfäste .....	Bracket .....			
77	2	2		9997-0816-16	Skruv .....	Screw .....			
78	2	2		9739-0831-22	Mutter .....	Nut .....			
79	2	2		1136-0086-01	Bult .....	Bolt .....			
80	2	2		9712-0831-02	Låsmutter .....	Lock nut .....			
81	1	1		1136-0322-01	Vinkelfäste .....	Bracket .....			
82	2	2		9997-0512-16	Skruv .....	Screw .....			
83	2	2		9747-0531-02	Mutter .....	Nut .....			
84	1	1		1136-0925-01	Vinkelfäste .....	Angle bracket .....			
85	2	2		9847-8009-16	Skruv .....	Screw .....			
91	1	1		1136-0333-01	Stöd .....	Support .....			
92	2	2		9997-0614-16	Skruv .....	Screw .....			
93	2	2		9739-0631-22	Mutter .....	Nut .....			
94	2	2		9997-0614-16	Skruv .....	Screw .....			
95	2	2		9739-0631-22	Mutter .....	Nut .....			



Utgåva Issue 2004-13		Bildnr Picture No 1213B		ESTATE SENATOR ESTATE PRESIDENT STYRNING		ESTATE SENATOR ESTATE PRESIDENT STEERING		Sida Page 68
Pos. Fig.	Antal/Quantity			Art nr Part No	Benämning	Description	Sats Kit	Anmärkning Notes
	2531	2532						
	1	1		1136-0466-01	Framaxel kpl .....	Front wheel axle assy .....		Inkl. pos 2, 3
	2	4	4	1136-0121-01	• Bussning .....	• Bushing .....		
	3	2	2	9501-0500-00	• Smörjnippel .....	• Grease joint .....		
	4	1	1	1136-0485-01	Hjulspindel- hö .....	Stub axle- RH .....		
	5	1	1	9652-0015-04	Låsring .....	Retaining ring .....		
	6	1	1	1136-0486-01	Hjulspindel- vä .....	Stub axle- LH .....		
	7	1	1	1136-0349-01	Parallellstag .....	Tie rod .....		
	8	2	2	1136-0092-01	Kulled .....	Ball joint .....		
	9	2	2	9747-1031-02	Låsmutter .....	Lock nut .....		
	11	1	1	1136-0188-01	Styrmutter .....	Steering arm .....		
	12	1	1	9997-1055-12	Skruv .....	Screw .....		
	13	1	1	9747-1031-02	Låsmutter .....	Lock nut .....		
	14	1	1	1136-0165-01	Distans .....	Spacer .....		
	15	1	1	9997-1260-02	Skruv .....	Screw .....		
	16	2	2	1136-0016-01	Bricka .....	Washer .....		
	17	1	1	9683-0055-02	Låsbricka .....	Lock washer .....		
	18	1	1	9799-1231-02	Mutter .....	Nut .....		
	31	1	1	1136-0335-01	Stöd .....	Support .....		
	32	4	4	9997-0816-16	Skruv .....	Screw .....		
	33	4	4	9747-0831-02	Mutter .....	Lock nut .....		
X	34	1	1	1136-1496-01	Fäste .....	Support .....		
	35	4	4	9847-8216-16	Skruv .....	Screw .....		
X	36	1	1	1136-1469-01	Bussning .....	Bushing .....		
X	37	1	1	1136-1471-01	Rattstång .....	Steering column .....		
	38	1	1	1136-0263-01	Styrdrev .....	Steering pinion .....		
	39	1	1	9595-0262-00	Spännstift .....	Locating pin .....		
	40	1	1	9699-0037-02	Bricka .....	Washer .....		
	41	1	1	1136-0008-01	Låsplatta .....	Lock plate .....		
	42	1	1	1136-0128-01	Bussning .....	Bushing .....		
	43	1	1	1136-0246-01	Pinnbult .....	Stud bolt .....		
	44	1	1	9799-1031-02	Mutter .....	Nut .....		
	45	2	2	1136-0310-01	Bricka .....	Washer .....		
	46	1	1	1136-0320-01	Styrsektor .....	Steering sector .....		
	47	1	1	1136-0311-01	Bricka .....	Washer .....		
	48	1	1	1136-0083-01	Fjäderbricka .....	Elastic washer .....		
	49	1	1	9699-0035-02	Planbricka .....	Flat washer .....		
	50	2	2	9799-1031-02	Mutter .....	Nut .....		
	51	3	3	1136-0087-01	Bricka .....	Washer .....		
	52	1	1	1136-0015-01	Bricka .....	Washer .....		
	53	1	1	9599-0070-02	Saxsprint .....	Split pin .....		
	54	1	1	9747-1031-02	Låsmutter .....	Lock nut .....		
	55	1	1	1136-0111-01	Styrstag .....	Steering rod .....		
	56	2	2	1136-0092-01	Kulled .....	Ball joint .....		
	58	2	2	9747-1031-02	Låsmutter .....	Lock nut .....		
	59	1	1	1136-0279-01	Brytarskydd .....	Micro protection .....		
	60	2	2	9847-7813-16	Skruv .....	Screw .....		
	61	2	2	9699-0035-02	Planbricka .....	Flat washer .....		
X	62	1	1	1136-1477-01	Stöd .....	Support .....		
	63	2	2	9847-8116-16	Skruv .....	Screw .....		
X	64	1	1	1136-1473-01	Länk .....	Joint .....		
	72	2	2	1136-0454-01	Fälg .....	Rim .....		
	73	4	4	1136-0157-01	Lager .....	Bearing .....		
	74	2	2	1136-0269-01	Däck (Turf Saver) .....	Tire (Turf Saver) .....		
	74	2	2	1136-0271-01	Däck (Deli) .....	Tire (Deli) .....		
	75	2	2	1136-0305-01	Bricka .....	Washer .....		
	76	2	2	9652-0015-04	Låsring .....	Retaining ring .....		
	77	2	2	1136-0081-01	Navkapsel .....	Hub cap .....		
	78	2	2	1136-0359-01	Ventil .....	Valve .....		

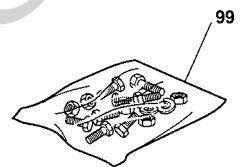
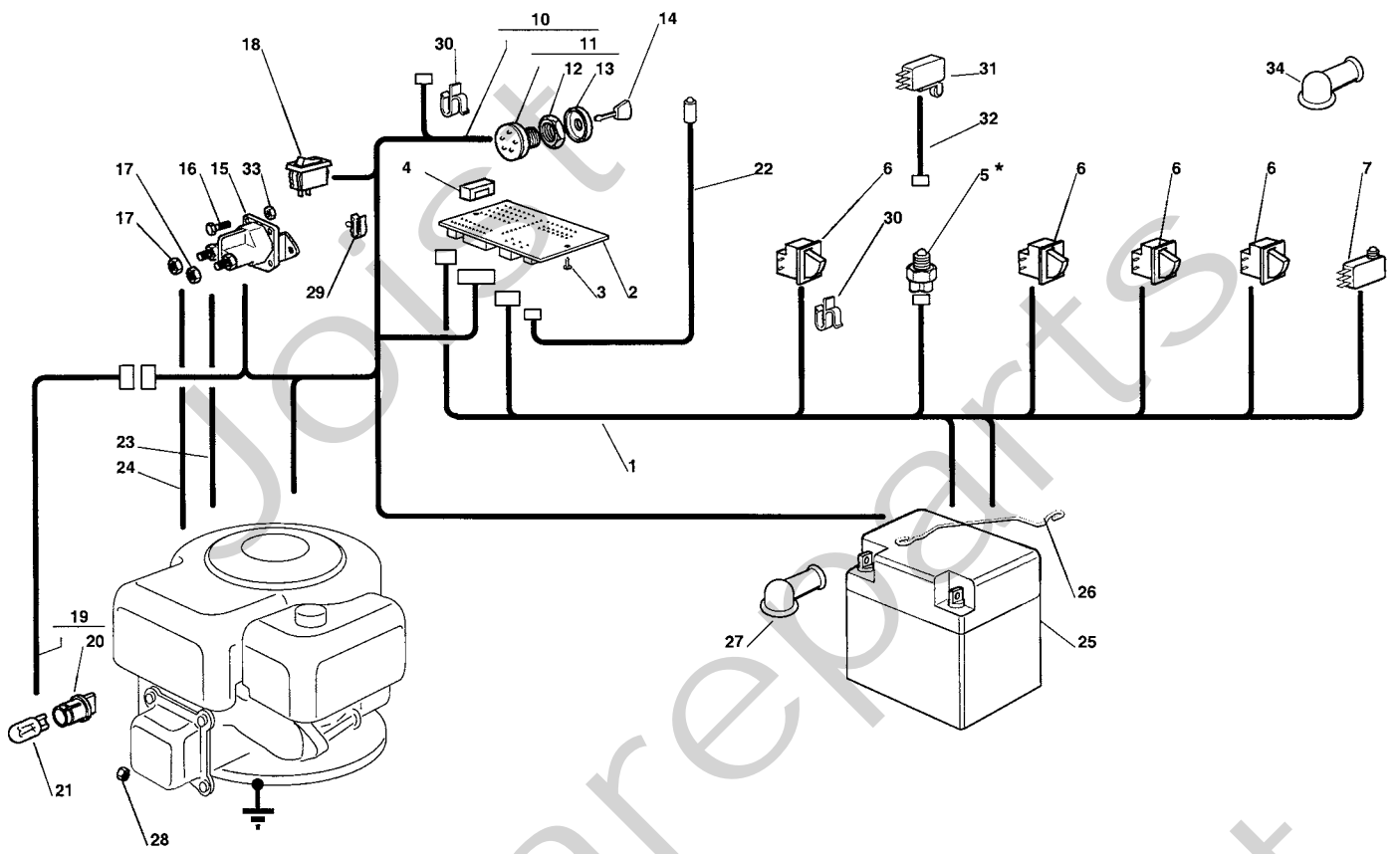


Utgåva Issue 2004-13		Bildnr Picture No 1214A		ESTATE SENATOR BROMSREGLAGE VÄXELREGLAGE		ESTATE SENATOR BRAKE CONTROL GEAR SHIFTER CONTROL		Sida Page 70	
Pos. Fig.	Antal/Quantity			Art nr Part No	Benämning	Description	Sats Kit	Anmärkning Notes	
	2531								
1	1			1136-0506-01	Bromspedal .....	Brake pedal .....			
2	1			1136-0152-01	Pedalskydd .....	Pedal cover .....			
3	1			1136-0254-01	Bygel .....	Clamp .....			
4	1			1136-0255-01	Bygel .....	Clamp .....			
5	6			9847-8016-16	Skruv .....	Screw .....			
6	1			1136-0116-01	Bromsstång .....	Brake rod .....			
7	1			1136-0244-01	Ledbult .....	Pivot bolt .....			
8	1			1136-0218-01	Fjäder .....	Spring .....			
9	2			9699-0035-02	Planbricka .....	Flat washer .....			
10	1			9799-1031-02	Mutter .....	Nut .....			
11	1			1136-0172-01	Distans .....	Spacer .....			
12	1			1136-0329-01	Bygel .....	Clamp .....			
13	1			9699-0060-02	Planbricka .....	Flat washer .....			
14	1			9747-0631-02	Låsmutter .....	Lock nut .....			
15	1			9699-0090-02	Planbricka .....	Flat washer .....			
16	1			1136-0009-01	Låsplatta .....	Lock plate .....			
17	1			1136-0441-01	Spärraxel .....	Axle .....			
18	1			1136-0217-01	Fjäder .....	Spring .....			
19	2			1136-0256-01	Bygel .....	Plate .....			
20	4			9847-8016-16	Skruv .....	Screw .....			
21	1			1136-0119-01	P-bromsarm .....	P-brake lever .....			
22	1			9675-0011-00	Starlock .....	Starlock .....			
23	1			1136-0392-01	Knopp .....	Knob .....			
24	1			9747-1031-02	Låsmutter .....	Lock nut .....			
31	1			1136-0233-01	Pinnbult .....	Stud bolt .....			
32	1			9712-0831-02	Låsmutter .....	Lock nut .....			
33	1			1136-0088-01	Bricka .....	Washer .....			
34	1			1136-0529-01	Spakhållare .....	Gear lever bracket .....			
35	1			1136-0490-01	Växelspak .....	Gear lever .....			
36	1			1136-0212-01	Fjäder .....	Spring .....			
37	1			9997-0880-16	Skruv .....	Screw .....			
38	1			9747-0831-02	Mutter .....	Lock nut .....			
39	1			9699-0056-02	Planbricka .....	Flat washer .....			
40	1			9712-0831-02	Låsmutter .....	Lock nut .....			
41	1			1136-0197-01	Handtag .....	Knob .....			
42	1			1136-0107-01	Växelstag .....	Shifter rod .....			
43	1			1136-0093-01	Kulled .....	Ball joint .....			
44	1			9683-0030-02	Låsbricka .....	Lock washer .....			
45	1			9799-0831-02	Mutter .....	Nut .....			
46	1			1136-0187-01	Växelarm .....	Gearshift arm .....			
47	1			9997-0640-12	Skruv .....	Screw .....			
48	2			9699-0035-02	Planbricka .....	Flat washer .....			
49	1			9747-0631-02	Låsmutter .....	Lock nut .....			
50	1			9599-0070-02	Saxsprint .....	Split pin .....			



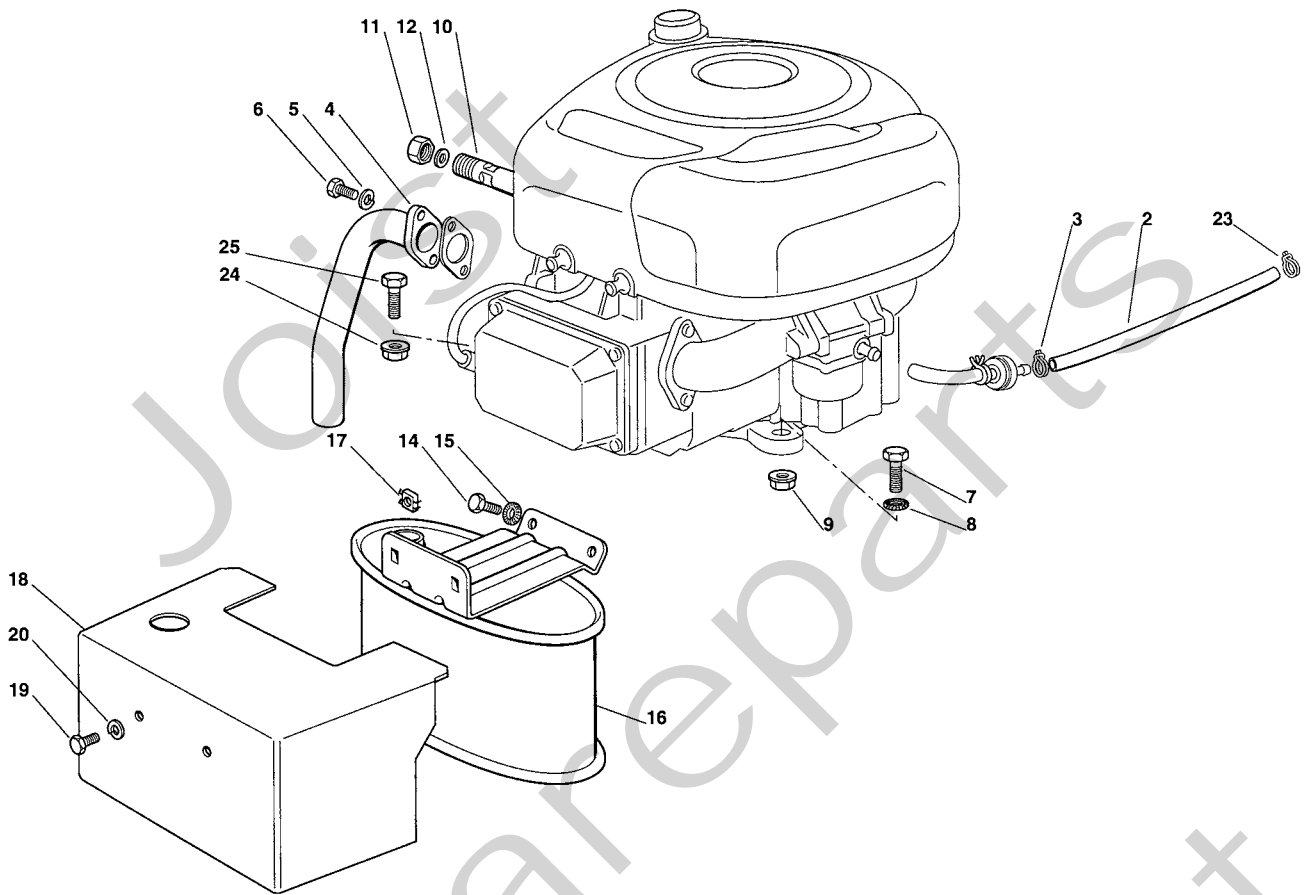
Utgåva Issue 2004-13		Bildnr Picture No 1215A		ESTATE PRESIDENT BROMSREGLAGE DRIVREGLAGE		ESTATE PRESIDENT BRAKE CONTROL DRIVE CONTROL		Sida Page 72	
Pos. Fig.	Antal/Quantity			Art nr Part No	Benämning	Description	Sats Kit	Anmärkning Notes	
	2532								
1	1			1136-0510-01	Pedal .....	Pedal .....			
2	1			1136-0151-01	Pedalskydd .....	Pedal cover .....			
3	1			1136-0254-01	Bygel .....	Clamp .....			
4	4			9847-8016-16	Skruv .....	Screw .....			
5	1			1136-0117-01	Bromsstång .....	Brake rod .....			
6	1			9699-0090-02	Planbricka .....	Flat washer .....			
7	1			9675-0012-02	Starlock .....	Locking washer .....			
8	1			1136-0248-01	Ledbult .....	Pivot bolt .....			
9	1			1136-0218-01	Fjäder .....	Spring .....			
10	2			9699-0035-02	Planbricka .....	Flat washer .....			
11	1			1136-0329-01	Bygel .....	Clamp .....			
12	1			9799-1031-02	Mutter .....	Nut .....			
13	1			9747-1031-02	Låsmutter .....	Lock nut .....			
14	1			9699-0090-02	Planbricka .....	Flat washer .....			
15	1			9747-0831-02	Mutter .....	Lock nut .....			
31	1			1136-0441-01	Spärraxel .....	Axle .....			
32	1			1136-0217-01	Fjäder .....	Spring .....			
33	2			1136-0256-01	Bygel .....	Plate .....			
34	4			9847-8016-16	Skruv .....	Screw .....			
35	1			1136-0119-01	P- bromsarm .....	P- brake lever .....			
36	1			9675-0011-00	Starlock .....	Starlock .....			
37	1			1136-0392-01	Knopp .....	Knob .....			
51	1			1136-0507-01	Drivpedal .....	Drive pedal .....			
52	1			1136-0149-01	Pedalskydd- fram .....	Pedal cover- front .....			
53	1			1136-0150-01	Pedalskydd- bak .....	Pedal cover- rear .....			
54	1			1136-1495-01	Fäste kpl .....	Support assy .....		Inkl. pos 55 - 56	
55	2			1136-0121-01	• Bussning .....	• Bushing .....			
56	1			9501-0500-00	• Smörjnippel .....	• Grease joint .....			
57	2			9997-0616-16	Skruv .....	Screw .....			
58	2			9739-0631-22	Mutter .....	Nut .....			
59	1			1136-0500-01	Pedalaxel .....	Pedal axle .....			
60	2			9650-0020-04	Spärring .....	Circlip .....			
61	1			1136-0090-01	Bricka .....	Washer .....			
62	1			9997-0816-16	Skruv .....	Screw .....			
63	1			9683-0030-02	Låsbricka .....	Lock washer .....			
64	1			1136-0118-01	Stag .....	Drive rod .....			
65	1			1136-0241-01	Ledbult .....	Pivot bolt .....			
66	1			1136-0247-01	Ledbult .....	Pivot bolt .....			
67	2			9799-0831-02	Mutter .....	Nut .....			
68	2			9747-0831-02	Mutter .....	Lock nut .....			
69	1			9699-0035-02	Planbricka .....	Flat washer .....			
70	1			9699-0060-02	Planbricka .....	Flat washer .....			
71	1			9747-0631-02	Låsmutter .....	Lock nut .....			
72	1			1136-0533-01	Fäste .....	Support .....			
73	1			9699-0060-02	Planbricka .....	Flat washer .....			
74	1			9747-0631-02	Låsmutter .....	Lock nut .....			
75	1			9997-0620-16	Skruv .....	Screw .....			
76	1			9747-0631-02	Låsmutter .....	Lock nut .....			
77	1			1136-0330-01	Bygel .....	Clamp .....			
78	2			9848-8013-16	Skruv .....	Screw .....			
80	1			1136-0407-01	Plåt .....	Plate .....			
81	2			1136-1214-01	Skruv .....	Screw .....			
82	2			9683-0005-02	Låsbricka .....	Lock washer .....			
83	2			9799-0331-02	Mutter .....	Nut .....			

X

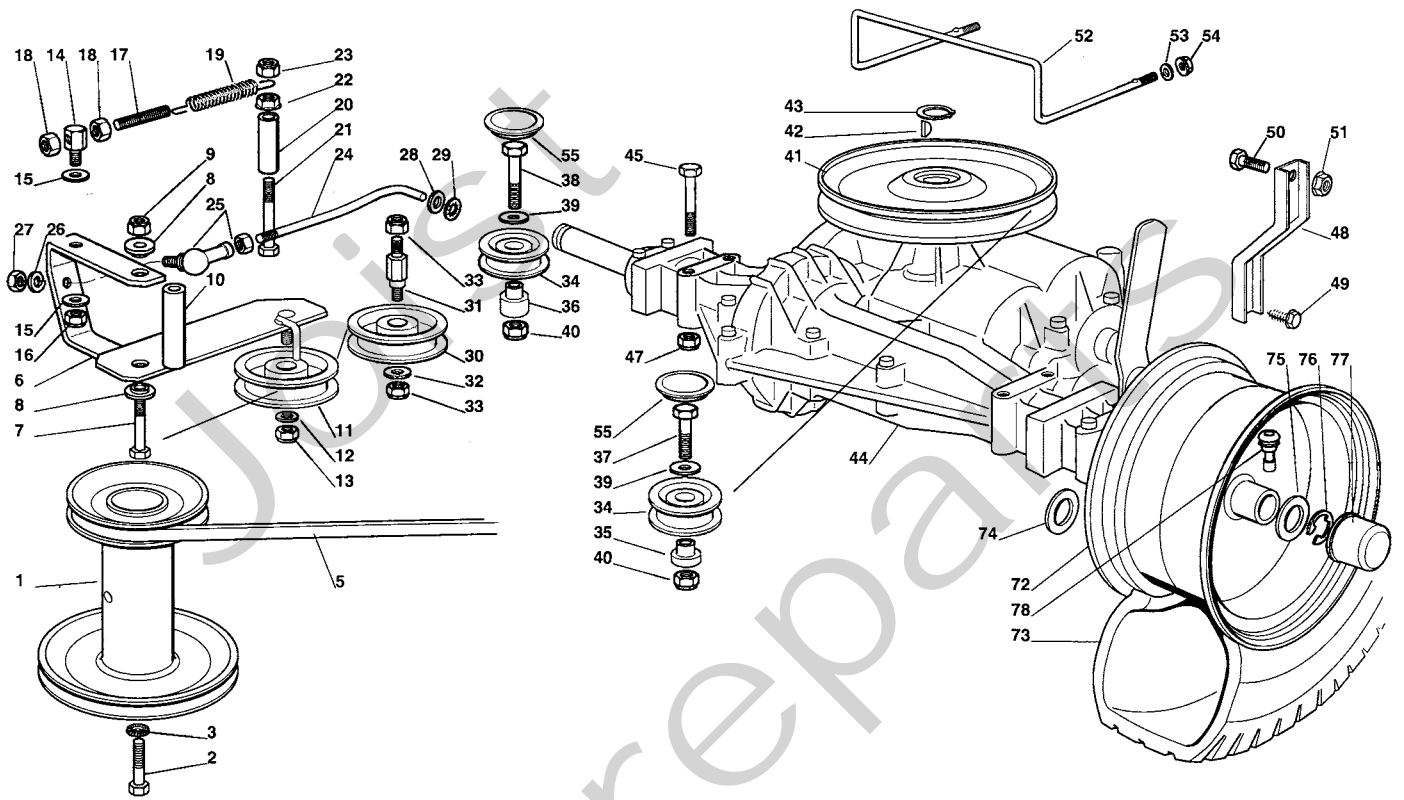




Utgåva Issue		Bildnr Picture No		ESTATE SENATOR ESTATE PRESIDENT ELUTRUSTNING		ESTATE SENATOR ESTATE PRESIDENT EL. EQUIPMENT		Sida Page
2004-13		1224C						74
Pos. Fig.	Antal/Quantity			Art nr Part No	Benämning	Description	Sats Kit	Anmärkning Notes
	2531	2532						
1	1	1		1136-1286-01	Kabelhärva.....	Harness.....		
2	1	1		1136-0314-01	Elektronikkort .....	Electronic card .....		
3	2	2		9847-7813-16	Skruv .....	Screw .....		
4	1	1		1136-0428-01	• Säkring .....	• Fuse .....		6.3 A
5	1			786194	Brytare.....	Neutral start switch .....		Växellåda/gearbox
6	4	4		1136-0073-01	Mikrobrytare.....	Micro switch .....		
7	1	1		1136-0072-01	Mikrobrytare.....	Micro switch .....		Full upps./grass bag
10	1	1		1136-0469-01	Kabelhärva.....	Harness.....		Inkl. pos 11
11	1	1		1136-0056-01	• Tändningslås .....	• Ignition switch .....		Inkl. pos 12 - 13
12	1	1		1136-0049-01	•• Mutter .....	•• Nut .....		
13	1	1		1134-4097-01	•• Täckkåpa.....	•• Cap .....		
14	1	1		1134-2848-01	Tändningsnyckel.....	Ignition key .....		
15	1	1		1136-0065-01	Startrelä.....	Solenoid .....		
16	2	2		9997-0620-16	Skruv .....	Screw .....		
17	2	2		9794-5131-02	Mutter.....	Nut .....		
18	1	1		1136-0055-01	Brytare.....	Switch .....		Strålkastare/light
19	1	1		1136-0468-01	Kabel .....	Cable .....		Inkl. pos 20
20	2	2		1136-0429-01	• Lamphållare.....	• Lamp holder.....		
21	2	2		1136-0058-01	Glödlampa .....	Bulb .....		
22	1	1		1136-0135-01	Kabel .....	Cable .....		
23	1	1		1136-0134-01	Kabel .....	Cable .....		
24	1	1		1136-0136-01	Kabelhärva.....	Harness.....		
25	1	1		1134-4804-01	Batteri .....	Battery .....		
26	1	1		1136-0215-01	Fjäder.....	Spring .....		
27	1	1		1136-0059-01	Polskydd.....	Protection .....		
28	1	1		9795-3531-02	Mutter.....	Nut .....		
29	4	4		1136-0427-01	Kabelhållare.....	Cable holder.....		
30	1	1		1136-0426-01	Kabelhållare.....	Cable holder.....		
31		1		1136-0076-01	Mikrobrytare.....	Micro switch .....		
32		1		1136-0865-01	Kabel .....	Cable .....		
33	2	2		9739-0631-22	Mutter.....	Nut .....		
34	1	1		1136-0060-01	Polskydd.....	Protection .....		
99	1	1		1136-1238-01	Tillbehörspåse .....	Key outfit.....		Inkl. pos 4, 14

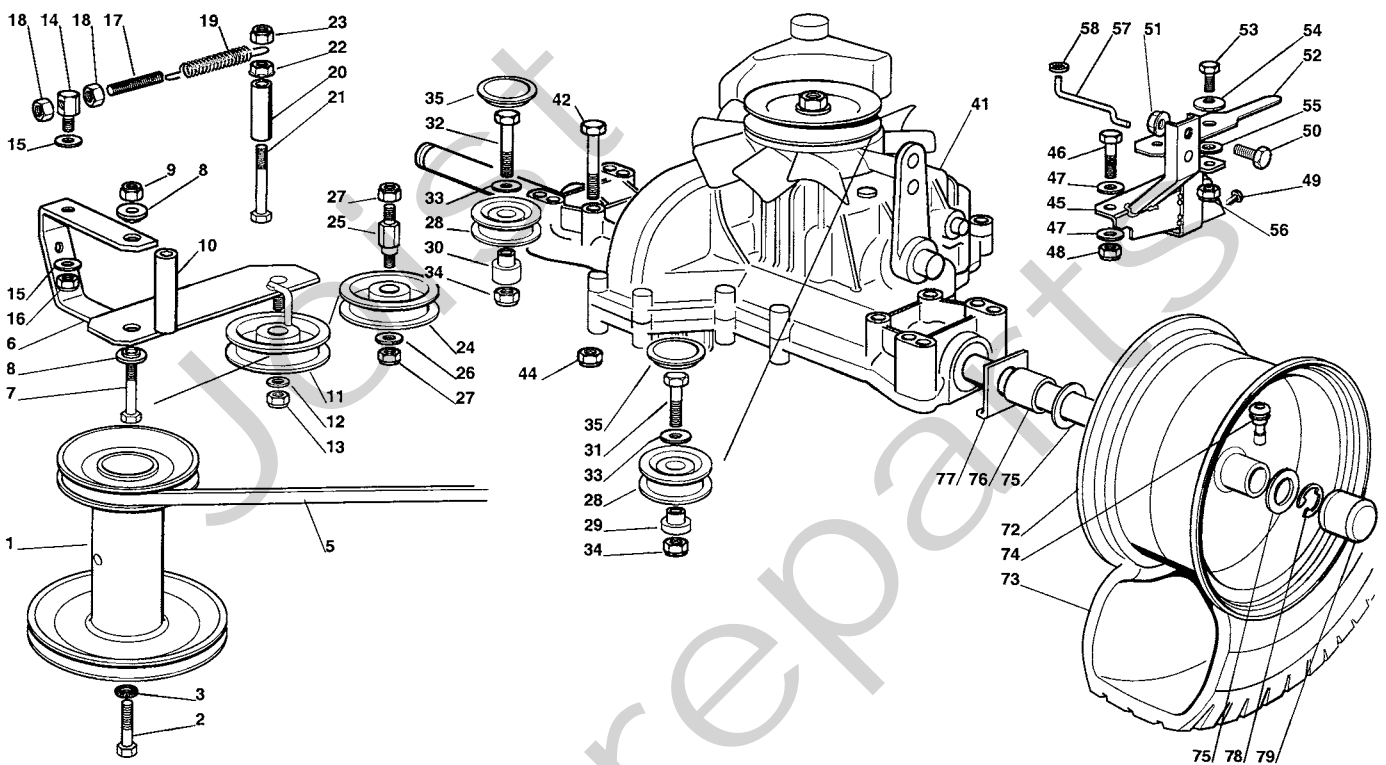


Utgåva Issue 2004-13		Bildnr Picture No 1701		ESTATE SENATOR ESTATE PRESIDENT MOTOR		ESTATE SENATOR ESTATE PRESIDENT ENGINE		Sida Page 76	
Pos. Fig.	Antal/Quantity			Art nr Part No	Benämning	Description	Sats Kit	Anmärkning Notes	
	2531	2532							
X	2	2		1136-0354-01	Bränsleslang .....	Fuel hose .....			
	3	1		1136-0045-01	Slangklämma .....	Hose clamp .....			
	4	1		1136-1467-01	Avgasrör .....	Exhaust conn. tube .....			
	5	2		9683-0030-02	Låsbricka .....	Lock washer .....			
	6	2		9988-3619-16	Skruv .....	Screw .....			
	7	1		9997-0840-16	Skruv .....	Screw .....			
	8	1		9677-0009-02	Låsbricka .....	Lock washer .....		L = 40 mm	
	9	1		9739-0831-22	Mutter .....	Nut .....			
	10	1		1136-0273-01	Oljeavtappningsrör .....	Oil drain tube .....			
	11	1		1136-0066-01	Oljeavtappningsplugg .....	Oil drain plug .....			
	12	1		1136-0054-01	Tätningring .....	Oil seal .....			
	14	2		9997-0820-16	Skruv .....	Screw .....			
	15	2		9677-0009-02	Låsbricka .....	Lock washer .....			
	16	1		1136-1054-01	Ljuddämpare .....	Muffler .....			
	17	2		1136-0004-01	Fyrkantmutter .....	Square nut .....			
	18	1		1136-1048-01	Skydd .....	Guard .....			
	19	2		9997-0816-16	Skruv .....	Screw .....			
	20	2		9683-0030-02	Låsbricka .....	Lock washer .....			
	23	1		1136-0046-01	Slangklämma .....	Hose clamp .....			
	24	3		9739-0831-22	Mutter .....	Nut .....			
25	3		9997-0835-12	Skruv .....	Screw .....		L = 35 mm		



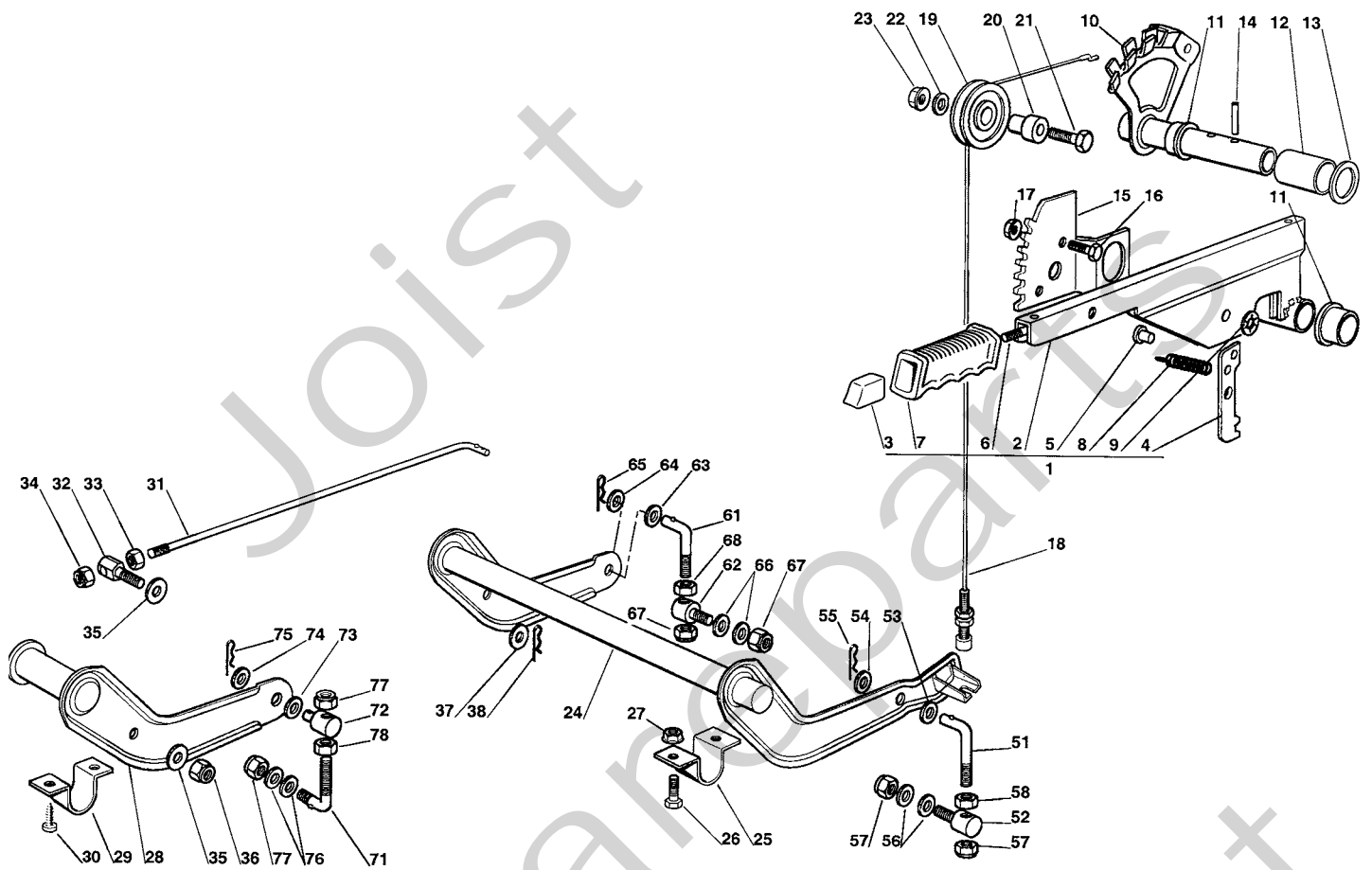
Utgåva Issue		Bildnr Picture No		ESTATE SENATOR TRANSMISSION		ESTATE SENATOR TRANSMISSION		Sida Page	
2004-13		1217						78	
Pos. Fig.	Antal/Quantity			Art nr Part No	Benämning	Description	Sats Kit	Anmärkning Notes	
	2531								
1	1			1136-0286-01	Motorremskiva .....	Engine belt pulley .....			
2	1			9987-5351-12	Skruv .....	Screw .....			
3	1			9683-0045-02	Bricka .....	Washer .....			
5	1			1136-0433-01	Kilrem .....	V-belt .....			
6	1			1136-0489-01	Spännarm .....	Tension arm .....			
7	1			9997-0630-12	Skruv .....	Screw .....			
8	2			1136-0123-01	Bussning .....	Bushing .....			
9	1			9747-0831-02	Mutter .....	Lock nut .....			
10	1			1136-0166-01	Distans .....	Spacer .....			
11	1			1136-0289-01	Spännrulle .....	Idler pulley .....			
12	1			9699-0056-02	Planbricka .....	Flat washer .....			
13	1			9747-0831-02	Mutter .....	Lock nut .....			
14	1			1136-0235-01	Ledbult .....	Pivot bolt .....			
15	2			1136-0309-01	Bricka .....	Washer .....			
16	1			9747-0831-02	Mutter .....	Lock nut .....			
17	1			1136-0348-01	Spännstång .....	Tie rod .....			
18	2			9799-0831-02	Mutter .....	Nut .....			
19	1			1136-0208-01	Fjäder .....	Spring .....			
20	1			1136-0162-01	Distans .....	Spacer .....			
21	1			9997-0880-16	Skruv .....	Screw .....			
22	1			9739-0831-22	Mutter .....	Nut .....			
23	1			9747-0831-02	Mutter .....	Lock nut .....			
24	1			1136-0346-01	Spännstång .....	Tie rod .....			
25	1			1136-0093-01	Kulled .....	Ball joint .....			
26	1			9683-0030-02	Låsbricka .....	Lock washer .....			
27	1			9799-0831-02	Mutter .....	Nut .....			
28	1			9699-0090-02	Planbricka .....	Flat washer .....			
29	1			9675-0012-02	Starlock .....	Locking washer .....			
30	1			1136-0290-01	Remrulle .....	Belt roller .....			
31	1			1136-0234-01	Pinnbult .....	Stud bolt .....			
32	1			9699-0056-02	Planbricka .....	Flat washer .....			
33	2			9747-0831-02	Mutter .....	Lock nut .....			
34	2			1136-0915-01	Remrulle .....	Belt roller .....			
35	1			1136-0167-01	Distans- vä .....	Spacer-LH .....			
36	1			1136-0164-01	Distans- hö .....	Spacer-RH .....			
37	1			9997-0835-12	Skruv .....	Screw .....			
38	1			9997-0845-12	Skruv .....	Screw .....			
39	2			9699-0056-02	Planbricka .....	Flat washer .....			
40	2			9747-0831-02	Mutter .....	Lock nut .....			
41	1			1136-0520-01	Remskiva .....	Belt pulley .....			
42	1			9600-0050-00	Woodruffkil .....	Key .....			
43	1			9650-0016-04	Spärring .....	Lock ring .....			
44	1			1136-0050-01	Transaxel .....	Transaxle .....			
45	4			9997-0860-16	Skruv .....	Screw .....			
47	4			9739-0831-22	Mutter .....	Nut .....			
48	2			1136-0325-01	Momentstag .....	Stay .....			
49	2			1136-0017-01	Skruv .....	Screw .....			
50	2			9997-0816-16	Skruv .....	Screw .....			
51	2			9739-0831-22	Mutter .....	Nut .....			
52	1			1136-0181-01	Remstyrning .....	Belt guide .....			
53	2			9699-0035-02	Planbricka .....	Flat washer .....			
54	2			9739-0631-22	Mutter .....	Nut .....			
55	2			1136-0868-01	Lock .....	Cover .....			
72	2			1136-0455-01	Fälg .....	Rim .....			
73	2			1136-0270-01	Däck (Turf Saver) .....	Tire (Turf Saver) .....			
73	2			1136-0272-01	Däck (Deli) .....	Tire (Deli) .....			
74	2-4			9699-0119-02	Bricka .....	Washer .....			
75	2			1136-0305-01	Bricka .....	Washer .....			
76	2			9652-0015-04	Låsring .....	Retaining ring .....			
77	2			1136-0081-01	Navkapsel .....	Hub cap .....			
78	2			9545-0500-00	Ventil .....	Valve .....			

Peerless MST 205-535



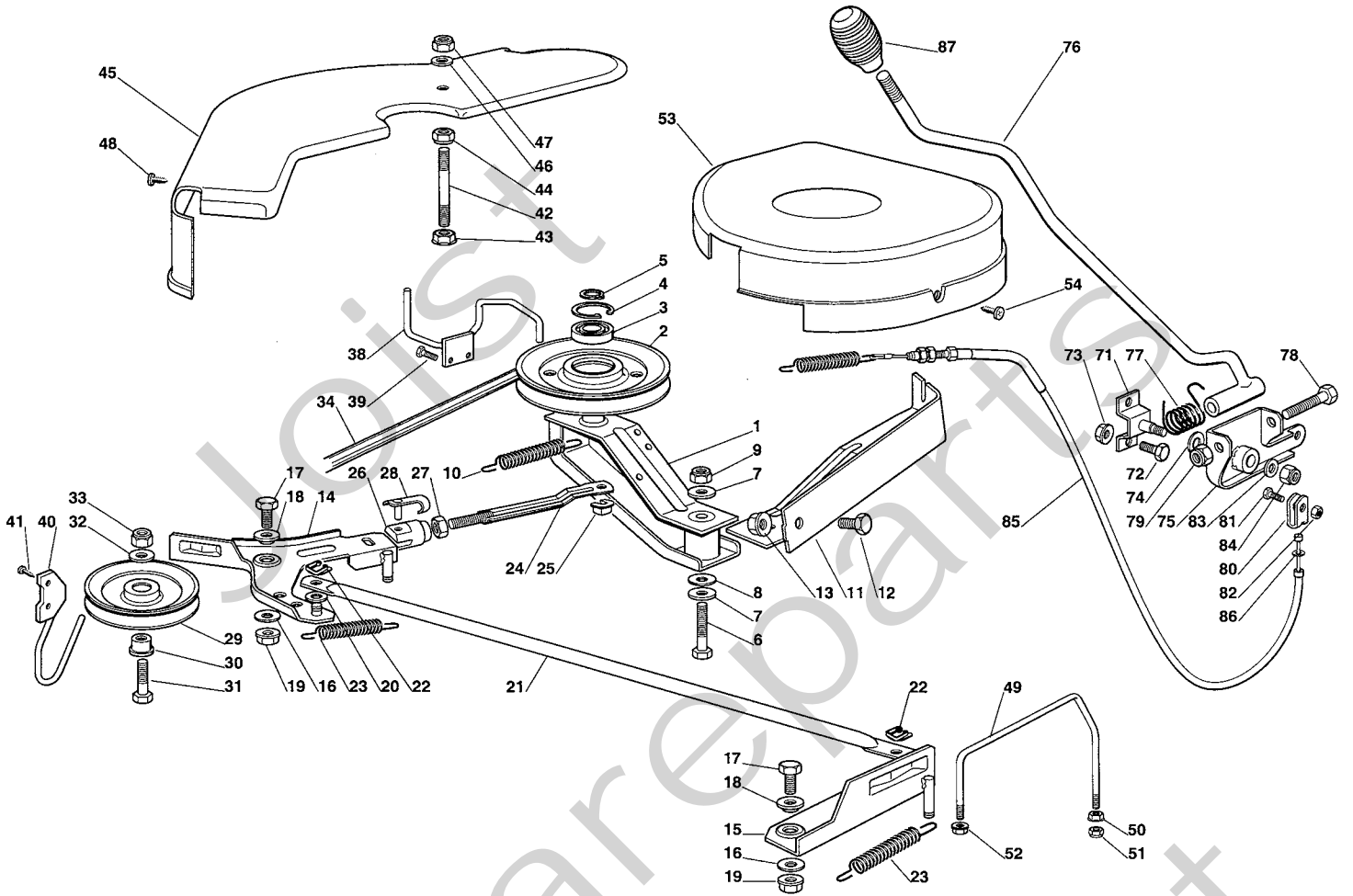
Utgåva Issue		Bildnr Picture No		ESTATE PRESIDENT TRANSMISSION		ESTATE PRESIDENT TRANSMISSION		Sida Page	
2004-13		1218						80	
Pos. Fig.	Antal/Quantity			Art nr Part No	Benämning	Description	Sats Kit	Anmärkning Notes	
	2532								
1	1			1136-0287-01	Motorremskiva .....	Engine belt pulley .....			
2	1			9987-5351-12	Skruv .....	Screw .....			
3	1			9683-0045-02	Bricka .....	Washer .....			
5	1			1136-0432-01	Kilrem .....	V-belt .....			
6	1			1136-0489-01	Spännarm .....	Tension arm .....			
7	1			9997-0630-12	Skruv .....	Screw .....			
8	2			1136-0123-01	Bussning .....	Bushing .....			
9	1			9747-0831-02	Mutter .....	Lock nut .....			
10	1			1136-0166-01	Distans .....	Spacer .....			
11	1			1136-0289-01	Spännrulle .....	Idler pulley .....			
12	1			9699-0056-02	Planbricka .....	Flat washer .....			
13	1			9747-0831-02	Mutter .....	Lock nut .....			
14	1			1136-0235-01	Ledbult .....	Pivot bolt .....			
15	2			1136-0309-01	Bricka .....	Washer .....			
16	1			9747-0831-02	Mutter .....	Lock nut .....			
17	1			1136-0348-01	Spännstång .....	Tie rod .....			
18	2			9799-0831-02	Mutter .....	Nut .....			
19	1			1136-0208-01	Fjäder .....	Spring .....			
20	1			1136-0162-01	Distans .....	Spacer .....			
21	1			9997-0880-16	Skruv .....	Screw .....			
22	1			9739-0831-22	Mutter .....	Nut .....			
23	1			9747-0831-02	Mutter .....	Lock nut .....			
24	1			1136-0290-01	Remrulle .....	Belt roller .....			
25	1			1136-0234-01	Pinnbult .....	Stud bolt .....			
26	1			9699-0056-02	Planbricka .....	Flat washer .....			
27	2			9747-0831-02	Mutter .....	Lock nut .....			
28	2			1136-0915-01	Remrulle .....	Belt roller .....			
29	1			1136-0174-01	Distans-vä .....	Spacer-LH .....			
30	1			1136-0170-01	Distans-hö .....	Spacer-RH .....			
31	1			9997-0840-16	Skruv .....	Screw .....			
32	1			9997-0850-16	Skruv .....	Screw .....			
33	2			9699-0056-02	Planbricka .....	Flat washer .....			
34	2			9747-0831-02	Mutter .....	Lock nut .....			
35	2			1136-0868-01	Lock .....	Cover .....			
41	1			1136-0053-01	Transaxel .....	Transaxle .....			
42	4			9997-0860-16	Skruv .....	Screw .....			
44	4			9739-0831-22	Mutter .....	Nut .....			
45	1			1136-0543-01	Stöd .....	Support .....			
46	1			9997-0845-12	Skruv .....	Screw .....			
47	2			9699-0090-02	Planbricka .....	Flat washer .....			
48	1			9747-0831-02	Mutter .....	Lock nut .....			
49	2			9847-8216-16	Skruv .....	Screw .....			
50	1			9997-0816-16	Skruv .....	Screw .....			
51	1			9739-0831-22	Mutter .....	Nut .....			
52	1			1136-0190-01	Arm .....	Lever .....			
53	1			9997-0820-16	Skruv .....	Screw .....			
54	1			1136-0006-01	Fjäderbricka .....	Elastic washer .....			
55	1			1136-0309-01	Bricka .....	Washer .....			
56	1			9747-0831-02	Mutter .....	Lock nut .....			
57	1			1136-0114-01	Stag .....	Rod .....			
58	1			9675-0009-02	Starlock .....	Starlock .....			
72	2			1136-0455-01	Fälg .....	Rim .....			
73	2			1136-0270-01	Däck (Turf Saver) .....	Tire (Turf Saver) .....			
73	2			1136-0272-01	Däck (Deli) .....	Tire (Deli) .....			
74	2			9545-0500-00	Ventil .....	Valve .....			
75	2-4			9699-0119-02	Bricka .....	Washer .....			
76	2			1136-0175-01	Distans .....	Spacer .....			
77	2			1136-0312-01	Bricka .....	Washer .....			
78	2			9652-0015-04	Låsring .....	Retaining ring .....			
79	2			1136-0081-01	Navkapsel .....	Hub cap .....			

Kanzaki K46S

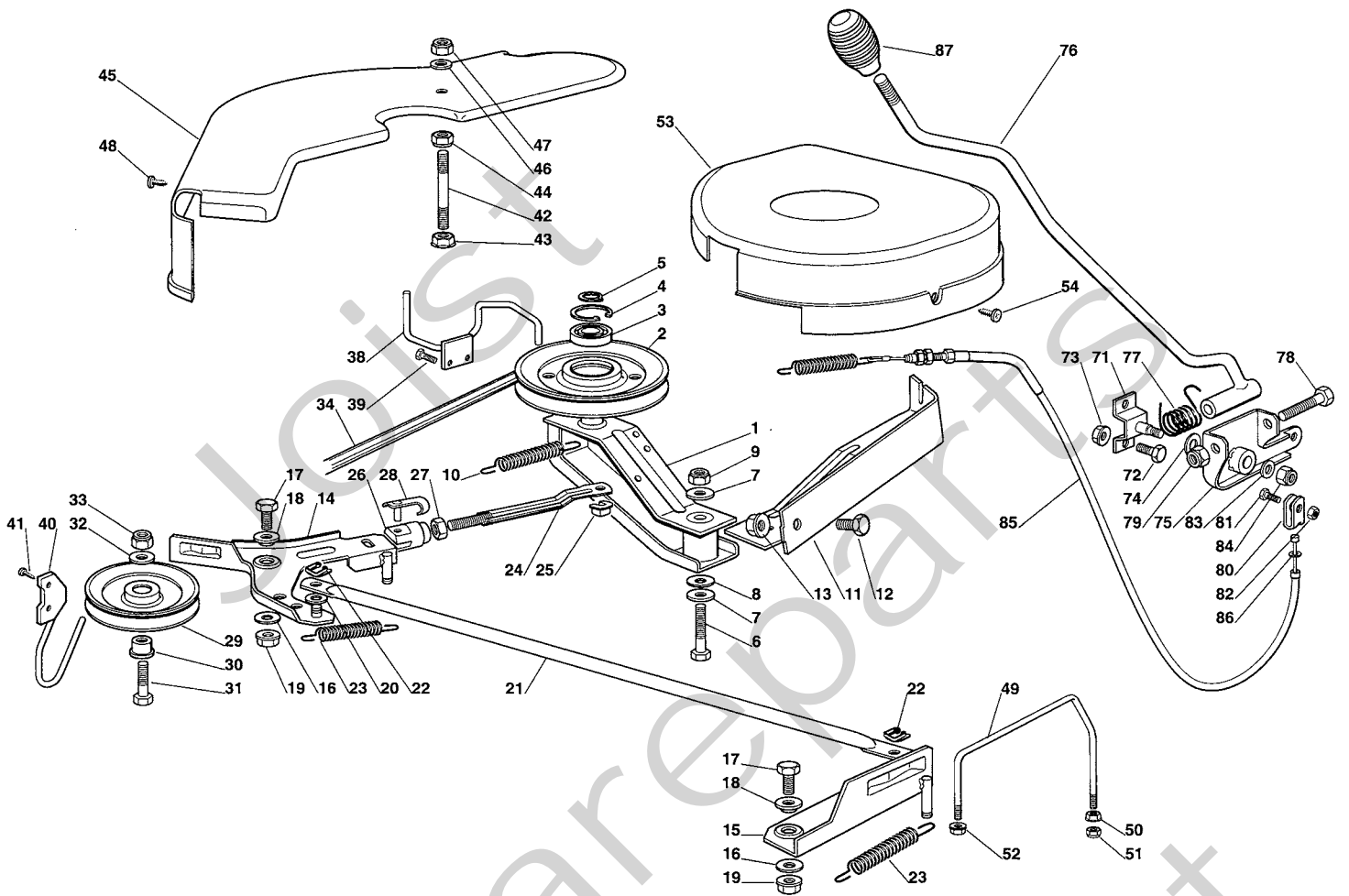




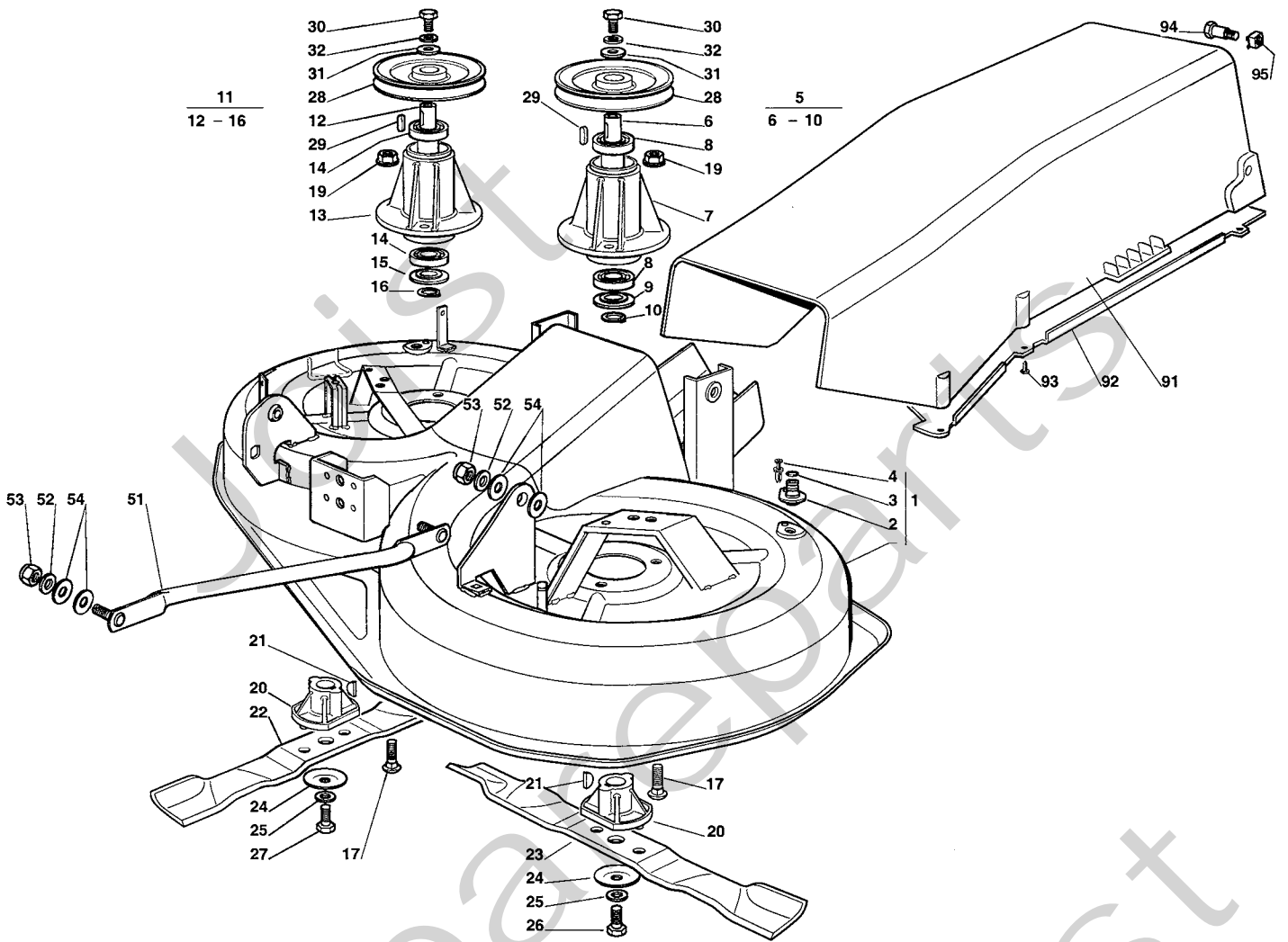
Utgåva Issue 2004-13		Bildnr Picture No 1219A		ESTATE SENATOR ESTATE PRESIDENT AGGREGATSLYFT		ESTATE SENATOR ESTATE PRESIDENT MOWER DECK LIFT		Sida Page 82	
Pos. Fig.	Antal/Quantity			Art nr Part No	Benämning	Description	Sats Kit	Anmärkning Notes	
	2531	2532							
1	1			1136-0487-01	Lyftspak kpl .....	Lift lever assy .....		Inkl. pos 2 - 9	
2	1			1136-0493-01	• Lyftspak .....	• Lift lever .....			
3	1			1136-0298-01	• Tryckknapp .....	• Button .....			
4	1			1136-0222-01	• Spärrhake .....	• Dog .....			
5	1			1136-0227-01	• Sprint .....	• Pin .....			
6	1			1136-0105-01	• Tryckstång .....	• Push rod .....			
7	1			1136-0193-01	• Handtag .....	• Handle .....			
8	1			1136-0203-01	• Fjäder .....	• Spring .....			
9	1			9675-0012-02	• Starlock .....	• Locking washer .....			
10	1			1136-0444-01	Lyftaxel .....	Axle .....			
11	2			1136-0078-01	Bussning .....	Bushing .....			
12	1			1136-0163-01	Distans .....	Spacer .....			
13	1			9699-0119-02	Bricka .....	Washer .....			
14	2			9595-0235-00	Spännstift .....	Locating pin .....			
15	1			1136-0319-01	Höjdställn.segment .....	Height adjust sector .....			
16	2			9997-0816-16	Skruv .....	Screw .....			
17	2			9739-0831-22	Mutter .....	Nut .....			
18	1			1136-0460-01	Lyftwire .....	Lift wire .....			
19	1			1136-0291-01	Wirerulle .....	Cable pulley .....			
20	1			1136-0232-01	Distans .....	Spacer .....			
21	1			9997-0850-16	Skruv .....	Screw .....			
22	1			9699-0056-02	Planbricka .....	Flat washer .....			
23	1			9739-0831-22	Mutter .....	Nut .....			
24	1			1136-0443-01	Lyftaxel .....	Lift axle .....			
25	2			1136-0253-01	Bygel .....	Clamp .....			
26	4			9997-0616-16	Skruv .....	Screw .....			
27	4			9739-0631-22	Mutter .....	Nut .....			
28	1			1136-0492-01	Lyftarm .....	Lift arm .....			
29	2			1136-0255-01	Bygel .....	Clamp .....			
30	4			9847-8016-16	Skruv .....	Screw .....			
31	1			1136-0108-01	Lyftstag .....	Lift rod .....			
32	1			1136-0235-01	Ledbult .....	Pivot bolt .....			
33	1			9799-0831-02	Mutter .....	Nut .....			
34	1			9747-0831-02	Mutter .....	Lock nut .....			
35	2			1136-0309-01	Bricka .....	Washer .....			
36	1			9747-0831-02	Mutter .....	Lock nut .....			
37	1			9699-0090-02	Planbricka .....	Flat washer .....			
38	1			1136-0095-01	Låsnål .....	Hair pin .....			
51	1			1136-0347-01	Lyftlänk .....	Lift tie rod .....			
52	1			1136-0231-01	Ledbult .....	Pivot bolt .....			
53	1			9699-0035-02	Planbricka .....	Flat washer .....			
54	1			1136-0308-01	Bricka .....	Washer .....			
55	1			1136-0095-01	Låsnål .....	Hair pin .....			
56	2			1136-0308-01	Bricka .....	Washer .....			
57	2			9747-1031-02	Låsmutter .....	Lock nut .....			
58	1			9799-1031-02	Mutter .....	Nut .....			
61	1			1136-0347-01	Lyftlänk .....	Lift tie rod .....			
62	1			1136-0231-01	Ledbult .....	Pivot bolt .....			
63	1			9699-0035-02	Planbricka .....	Flat washer .....			
64	1			1136-0308-01	Bricka .....	Washer .....			
65	1			1136-0095-01	Låsnål .....	Hair pin .....			
66	2			1136-0308-01	Bricka .....	Washer .....			
67	2			9747-1031-02	Låsmutter .....	Lock nut .....			
68	1			9799-1031-02	Mutter .....	Nut .....			
71	1			1136-1249-01	Lyftlänk .....	Lift tie rod .....			
72	1			1136-1241-01	Ledbult .....	Pivot bolt .....			
73	1			1136-0308-01	Bricka .....	Washer .....			
74	1			9699-0035-02	Planbricka .....	Flat washer .....			
75	1			1136-0095-01	Låsnål .....	Hair pin .....			
76	2			1136-0308-01	Bricka .....	Washer .....			
77	2			9747-1031-02	Låsmutter .....	Lock nut .....			
78	1			9799-1031-02	Mutter .....	Nut .....			



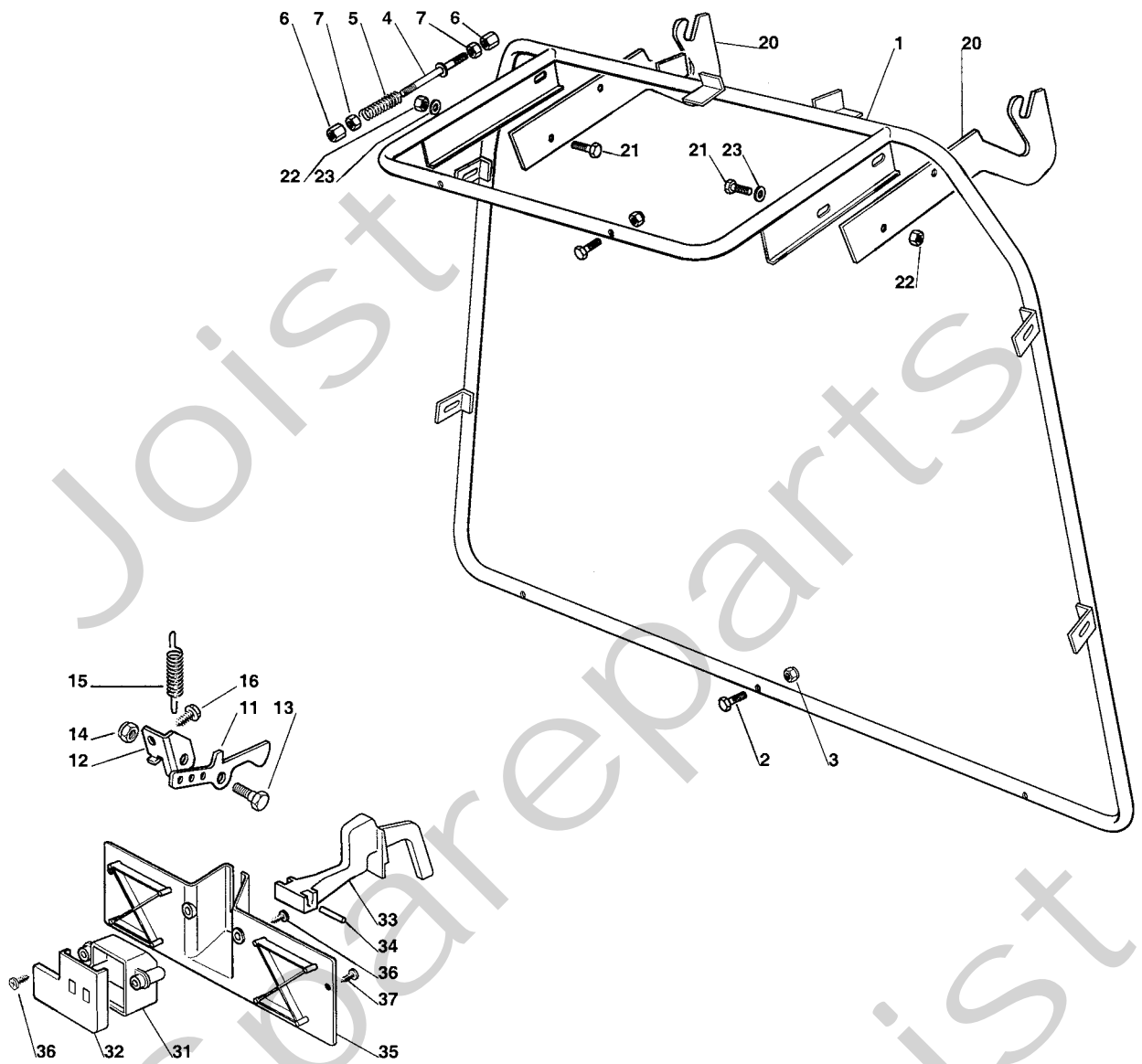
Utgåva Issue		Bildnr Picture No		ESTATE SENATOR ESTATE PRESIDENT AGGREGATSINKOPPLING	ESTATE SENATOR ESTATE PRESIDENT MOWER DECK ENGAGEMENT	Sida Page		
2004- 13		1220C				84		
Pos. Fig.	Antal/Quantity			Art nr Part No	Benämning	Description	Sats Kit	Anmärkning Notes
	2531	2532						
1	1			1136-0494-01	Spännarm .....	Tension arm .....		
2	1			1136-0296-01	Spännrulle .....	Idler pulley .....		
3	1			1136-0070-01	Kullager .....	Ball bearing .....		
4	1			9651-0035-04	Låsring .....	Lock ring .....		
5	1			9650-0015-04	Låsring .....	Lock ring .....		
6	1			9997-0890-12	Skruv .....	Screw .....		
7	2			1136-0014-01	Bricka .....	Washer .....		
8	1			1136-0089-01	Bricka .....	Washer .....		
9	1			9747-0831-02	Mutter .....	Lock nut .....		
10	1			1136-0085-01	Fjäder .....	Spring .....		
11	1			1136-0531-01	Wirehållare .....	Wire holder .....		
12	1			9997-0816-16	Skruv .....	Screw .....		
13	1			9739-0831-22	Mutter .....	Nut .....		
14	1			1136-0495-01	Arm-hö .....	Lever-RH .....		
15	1			1136-0496-01	Arm-vä .....	Lever-LH .....		
16	2			1136-0089-01	Bricka .....	Washer .....		
17	2			9997-0816-16	Skruv .....	Screw .....		
18	2			1136-0079-01	Bussning .....	Bushing .....		
19	2			9739-0831-22	Mutter .....	Nut .....		
20	1			1136-0309-01	Bricka .....	Washer .....		
21	1			1136-0110-01	Stag .....	Rod .....		
22	2			1136-0009-01	Låsplatta .....	Lock plate .....		
23	2			1136-0214-01	Fjäder .....	Spring .....		
24	1			1136-1280-01	Stång .....	Rod .....		
25	1			1136-0009-01	Låsplatta .....	Lock plate .....		
26	1			1136-0047-01	Gaffel .....	Fork .....		
27	1			9799-0631-02	Mutter .....	Nut .....		
28	1			1136-0042-01	Låsbult .....	Clip bolt .....		
29	1			1136-0290-01	Remrulle .....	Belt roller .....		
30	1			1136-0161-01	Distans .....	Spacer .....		
31	1			9997-0835-12	Skruv .....	Screw .....		
32	1			9699-0056-02	Planbricka .....	Flat washer .....		
33	1			9747-0831-02	Mutter .....	Lock nut .....		
34	1			1136-0437-01	Sexkantsrem .....	Hexagon belt .....		
38	1			1136-0180-01	Remstyrning .....	Belt guide .....		
39	2			9847-8116-16	Skruv .....	Screw .....		
40	1			1136-0182-01	Remstyrning .....	Belt guide .....		
41	2			9847-8016-16	Skruv .....	Screw .....		
42	1			1136-0265-01	Pinnbult .....	Stud bolt .....		
43	1			9739-0831-22	Mutter .....	Nut .....		
44	1			9739-0831-22	Mutter .....	Nut .....		
45	1			1136-0130-01	Kåpa .....	Cover .....		
46	1			9699-0056-02	Planbricka .....	Flat washer .....		
47	1			9747-0831-02	Mutter .....	Lock nut .....		
48	2			9848-8013-16	Skruv .....	Screw .....		
49	1			1136-1235-01	Remstyrning .....	Belt guide .....		
50	1			9739-0831-22	Mutter .....	Nut .....		
51	1			9747-0831-02	Mutter .....	Lock nut .....		
52	1			9739-0631-22	Mutter .....	Nut .....		
53	1			1136-0131-01	Remkåpa .....	Belt cover .....		
54	2			9848-8013-16	Skruv .....	Screw .....		
71	1			1136-0537-01	Fäste .....	Support .....		
72	2			9997-0816-16	Skruv .....	Screw .....		
73	2			9739-0831-22	Mutter .....	Nut .....		
74	1			1136-0088-01	Bricka .....	Washer .....		
75	1			1136-0528-01	Spakhållare .....	Lever holder .....		
76	1			1136-0491-01	Inkopplingspak .....	Engagement lever .....		
77	1			1136-0213-01	Fjäder .....	Spring .....		
78	1			9997-0880-16	Skruv .....	Screw .....		
79	1			9747-0831-02	Mutter .....	Lock nut .....		
80	1			1136-0080-01	Anslutningsgaffel .....	Connecting fork .....		
81	1			9997-0620-16	Skruv .....	Screw .....		
82	1			9747-0631-02	Låsmutter .....	Lock nut .....		



Utgåva Issue 2004-13		Bildnr Picture No 1220C		ESTATE SENATOR ESTATE PRESIDENT AGGREGATSINKOPPLING		ESTATE SENATOR ESTATE PRESIDENT MOWER DECK ENGAGEMENT		Sida Page 86	
Pos. Fig.	Antal/Quantity			Art nr Part No	Benämning	Description	Sats Kit	Anmärkning Notes	
	2531 2532								
83	1			9699-0056-02	Planbricka.....	Flat washer.....			
84	1			9712-0831-02	Låsmutter.....	Lock nut.....			
85	1			1136-0461-01	Kraftuttagwire.....	PTO-wire.....			
86	1			9699-0056-02	Planbricka.....	Flat washer.....			
87	1			1136-0197-01	Handtag.....	Knob.....			

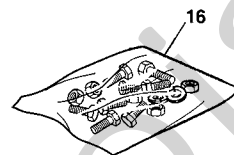
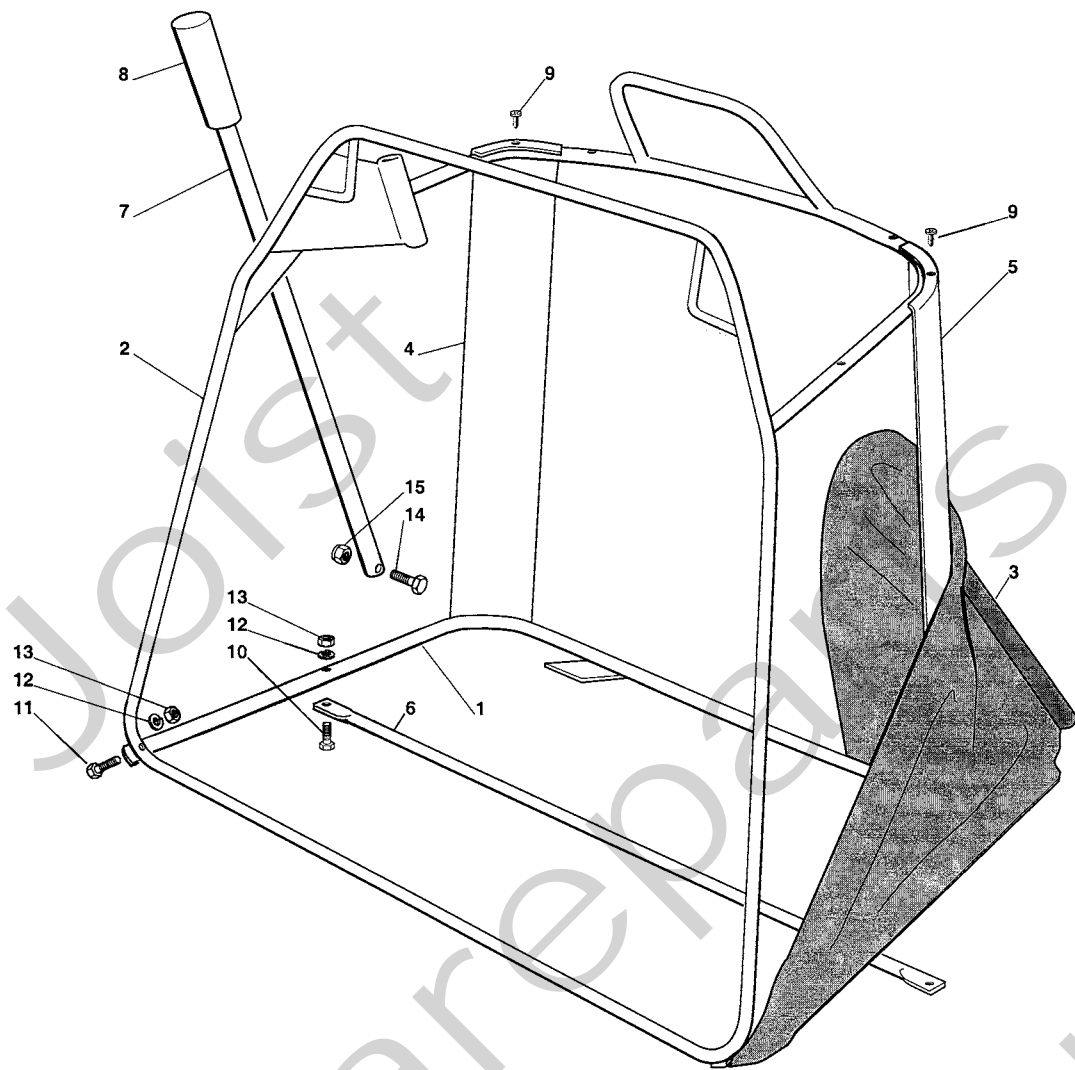


Utgåva Issue 2004-13		Bildnr Picture No 1221B		ESTATE SENATOR ESTATE PRESIDENT KLIPPAGGREGAT		ESTATE SENATOR ESTATE PRESIDENT MOWER DECK		Sida Page 88	
Pos. Fig.	Antal/Quantity			Art nr Part No	Benämning	Description	Sats Kit	Anmärkning Notes	
	2531	2532							
1	1			1136-1289-01	Klippaggregatskåpa .....	Mower deck casing .....		Inkl. pos 2 - 4	
2	2			1136-0120-01	• Vattenslangnippel .....	• Water hose connection.....			
3	2			1136-0068-01	• O-ring.....	• O-ring.....			
4	2			1136-0012-01	• Nit.....	• Rivet.....			
5	1			1136-0481-01	Lagerbox kpl.....	Bearing box assy.....		Inkl. pos 6 - 10	
6	1			1136-0099-01	• Knivaxel .....	• Blade shaft .....			
8	2			1136-0069-01	• Kullager .....	• Ball bearing .....			
9	1			1136-0176-01	• Dammskydd .....	• Dust cover.....		Inkl. pos 12 - 16	
10	1			9650-0020-04	• Spårring.....	• Circlip.....			
11	1			1136-0482-01	Lagerbox kpl.....	Bearing box assy.....			
12	1			1136-0100-01	• Knivaxel .....	• Blade shaft .....			
14	2			1136-0069-01	• Kullager .....	• Ball bearing .....			
15	1			1136-0176-01	• Dammskydd .....	• Dust cover.....			
16	1			9650-0020-04	• Spårring.....	• Circlip.....			
17	6			9898-0825-16	Skruv .....	Screw .....			
19	6			9739-0831-22	Mutter .....	Nut .....			
20	2			1136-0221-01	Knivfäste.....	Blade hub .....			
21	2			9600-0014-00	Kil .....	Key .....			
22	1			1136-1282-01	Kniv- hö .....	Blade- right.....			
23	1			1136-0750-01	Kniv .....	Blade .....			
24	2			1136-0083-01	Fjäderbricka .....	Elastic washer .....			
25	2			1136-0015-01	Bricka .....	Washer.....			
26	1			9987-5238-12	Knivbult .....	Blade bolt .....			
27	1			1136-0018-01	Knivbult (vå- gängad) .....	Blade bolt (L thread) .....			
28	2			1136-1244-01	Remskiva.....	Belt pulley .....			
29	2			1136-0001-01	Kil .....	Key .....			
30	2			9997-0820-16	Skruv .....	Screw .....			
31	2			1136-0307-01	Bricka .....	Washer.....			
32	2			9683-0030-02	Låsbricka .....	Lock washer.....			
51	2			1136-0448-01	Stång .....	Equalizer rod .....			
52	4			9699-0035-02	Planbricka .....	Flat washer .....			
53	4			9747-1031-02	Låsmutter .....	Lock nut .....			
54	8			1136-0308-01	Bricka .....	Washer.....			
91	1			1136-0139-01	Utkaströr .....	Discharge chute .....			
92	1			1136-0177-01	Deflektor .....	Deflector .....			
93	6			9836-9618-12	Skruv .....	Screw .....			
94	2			1136-0245-01	Bult .....	Pin bolt .....			
95	2			1136-0005-01	Fyrkantmutter .....	Square nut .....			

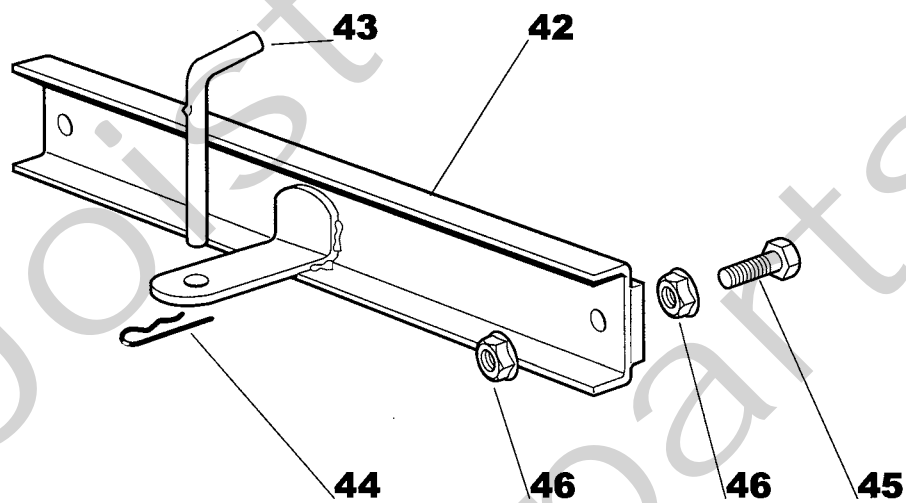




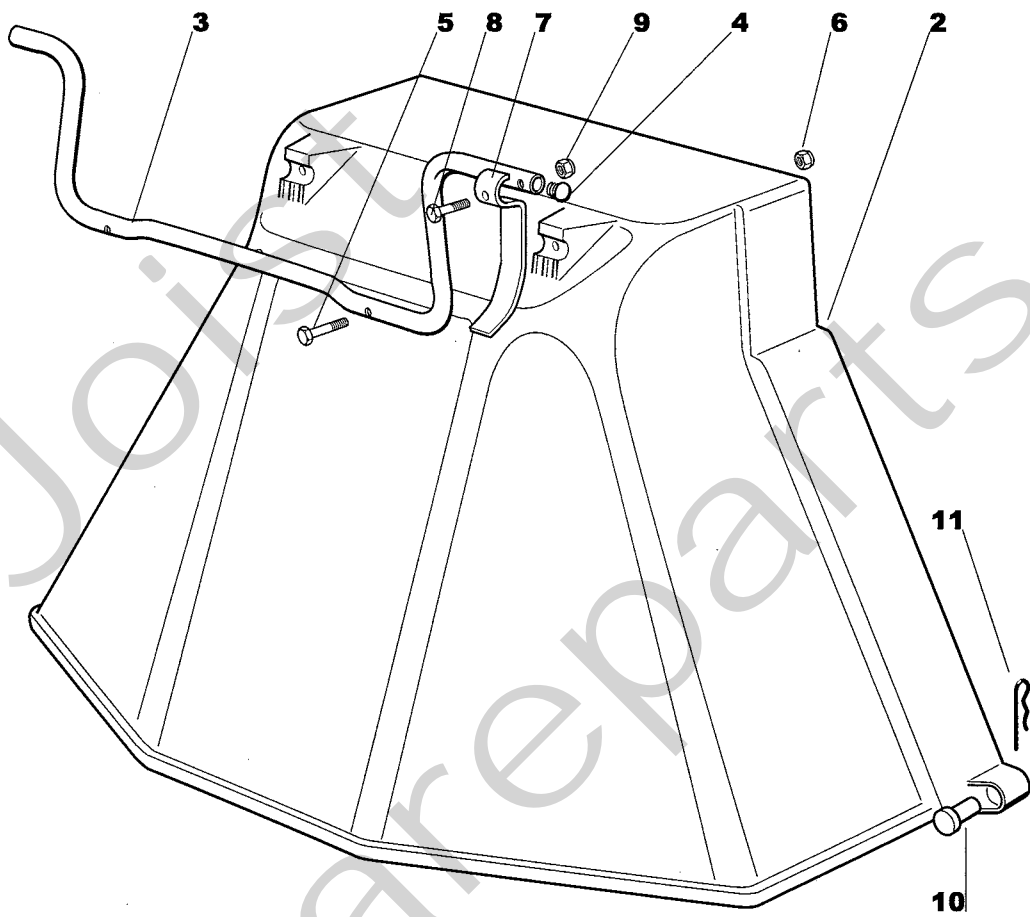
Utgåva Issue		Bildnr Picture No		ESTATE SENATOR ESTATE PRESIDENT UPPSAMLARE (fast del)		ESTATE SENATOR ESTATE PRESIDENT GRASS CATCHER (fixed part)		Sida Page	
2004-13		1222A						90	
Pos. Fig.	Antal/Quantity			Art nr Part No	Benämning	Description	Sats Kit	Anmärkning Notes	
	2531	2532							
	1	1		1136-0547-01	Ram .....	Frame .....			
	2	5		9997-0625-16	Skruv .....	Screw .....			
	3	5		9747-0631-02	Låsmutter .....	Lock nut .....			
	4	1		1136-0445-01	Tryckstång .....	Push rod .....			
	5	1		1136-0216-01	Fjäder .....	Spring .....			
	6	2		1136-0236-01	Tryckmutter .....	Push nut .....			
	7	2		9799-0631-02	Mutter .....	Nut .....			
X	11	1		1136-1476-01	Fäste .....	Bracket .....			
X	12	1		1136-1474-01	Fäste .....	Bracket .....			
X	13	1		1136-1470-01	Sprint .....	Pin .....			
	14	1		9739-0631-22	Mutter .....	Nut .....			
	15	1		1136-0209-01	Fjäder .....	Spring .....			
X	16	1		1136-1465-01	Skruv .....	Screw .....			
	20	2		1136-0334-01	Stöd .....	Support .....			
	21	4		9997-0820-16	Skruv .....	Screw .....			
	22	4		9747-0831-02	Mutter .....	Lock nut .....			
	23	4		9699-0090-02	Planbricka .....	Flat washer .....			
	31	1		1136-0280-01	Brytarskydd .....	Micro protection .....			
	32	1		1136-0281-01	Skyddslock .....	Protection cover .....			
	33	1		1136-0186-01	Brytarm .....	Switch lever .....			
	34	1		1136-0007-01	Axel .....	Pin .....			
	35	1		1136-0326-01	Fäste .....	Bracket .....			
	36	3		9847-8013-16	Skruv .....	Screw .....			
	37	2		9848-8013-16	Skruv .....	Screw .....			



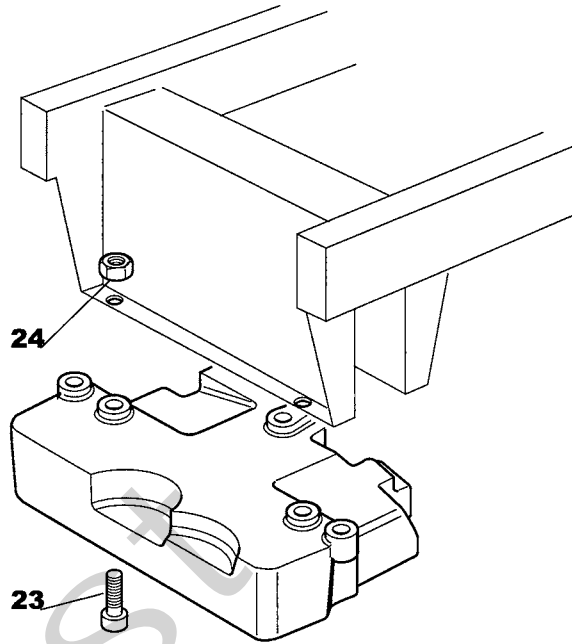
Utgåva Issue 2004-13		Bildnr Picture No 1223A		ESTATE SENATOR ESTATE PRESIDENT UPPSAMLARE (rörlig del)		ESTATE SENATOR ESTATE PRESIDENT GRASS CATCHER (mobile part)		Sida Page 92	
Pos. Fig.	Antal/Quantity			Art nr Part No	Benämning	Description	Sats Kit	Anmärkning Notes	
	2531	2532							
1	1			1136-0546-01	Ram- nedre .....	Frame- lower .....			
2	1			1136-0545-01	Ram- övre .....	Frame- upper .....			
3	1			1136-0473-01	Uppsamlings säck .....	Grass bag .....			
4	1			1136-0104-01	Vinkelstöd- hö .....	Angle support- RH .....			
5	1			1136-0103-01	Vinkelstöd- vä .....	Angle support- LH .....			
6	1			1136-0523-01	Förstärkningsstag .....	Reinforcement rod .....			
7	1			1136-0355-01	Spak .....	Lever .....			
8	1			1136-0195-01	Handtag .....	Handle .....			
9	4			9847-8116-16	• Skruv .....	• Screw .....			
10	2			9997-0630-12	• Skruv .....	• Screw .....			
11	2			9997-0630-12	• Skruv .....	• Screw .....			
12	4			9683-0010-02	• Bricka .....	• Washer .....			
13	4			9799-0631-02	• Mutter .....	• Nut .....			
14	1			9997-0630-12	• Skruv .....	• Screw .....			
15	1			9747-0631-02	• Låsmutter .....	• Lock nut .....			
16	1			1136-0598-01	Skruvsats .....	Screw set .....		Inkl. pos 9 - 15	



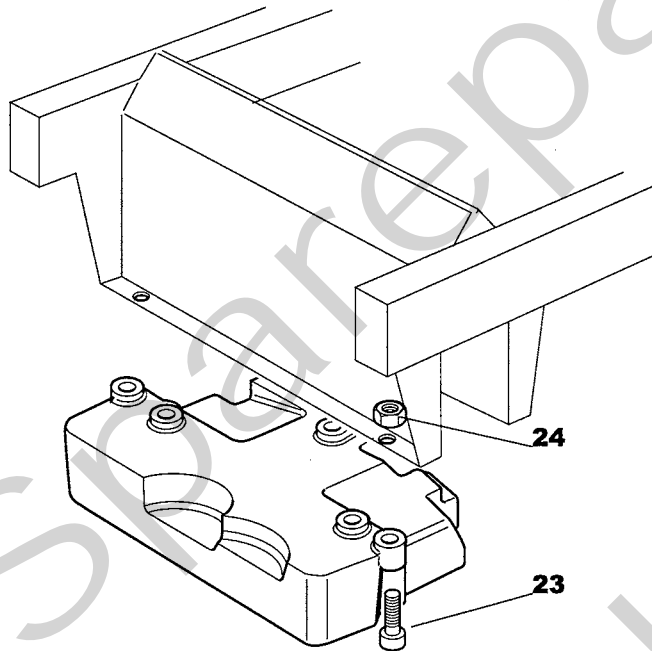
Utgåva Issue		Bildnr Picture No		DRAG ART.NR 13-0933-11		TOW BAR ART.NO 13-0933-11		Sida Page	
2004-13		1251						164	
Pos. Fig.	Antal/Quantity			Art nr Part No	Benämning	Description	Sats Kit	Anmärkning Notes	
	0933								
42	1			1136-0463-01	Balk .....	Girder .....			
43	1			1136-0228-01	Dragsprint .....	Tow pin .....			
44	1			1136-0096-01	Låsnål .....	Hair pin .....			
45	2			9997-0825-16	Skruv .....	Screw .....			
46	6			9739-0831-22	Mutter .....	Nut .....			



Utgåva Issue		Bildnr Picture No		DEFLEKTOR ART.NR 13-0915-11	DEFLECTOR ART.NO 13-0915-11	Sida Page		
2004-13		1249				152		
Pos. Fig.	Antal/Quantity			Art nr Part No	Benämning	Description	Sats Kit	Anmärkning Notes
	0915							
2	1			1136-0504-01	Utkastskydd.....	Ejection guard.....		
3	1			1136-0356-01	Stödrör.....	Support.....		
4	2			1136-0062-01	Plugg.....	Cap.....		
5	2			9997-0635-12	Skruv.....	Screw.....		
6	2			9747-0631-02	Låsmutter.....	Lock nut.....		
7	1			1136-0257-01	Bygel.....	Plate.....		
8	1			9997-0625-16	Skruv.....	Screw.....		
9	1			9747-0631-02	Låsmutter.....	Lock nut.....		
10	2			1136-0229-01	Sprint.....	Pin.....		
11	2			9598-0002-02	Låsnål.....	Pin lock.....		

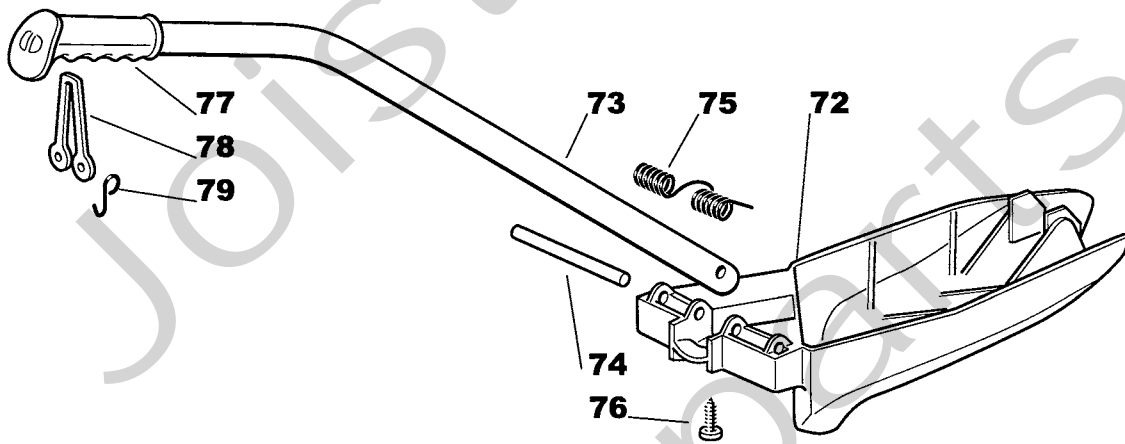


Estate Senator - President - Royal - Pro 22



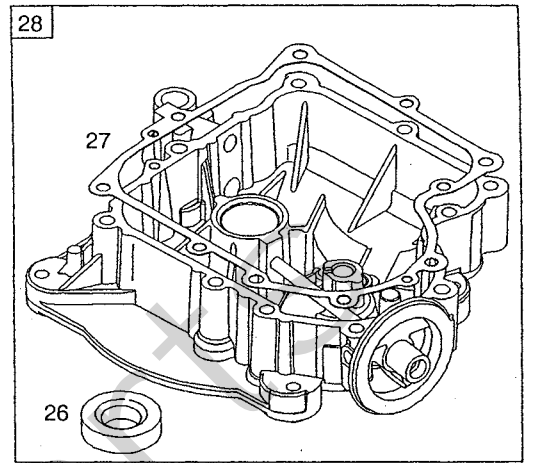
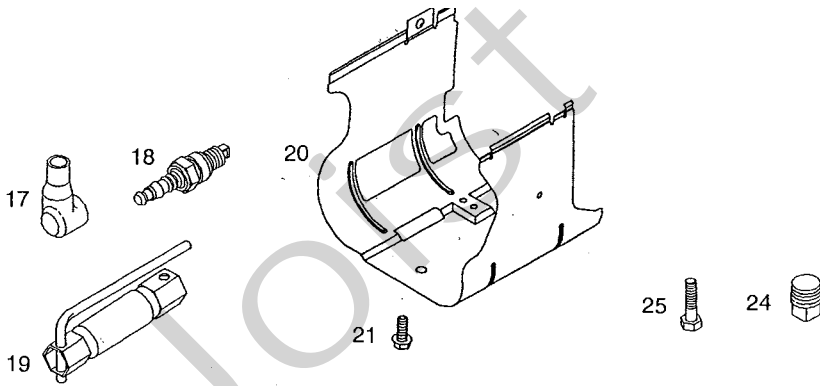
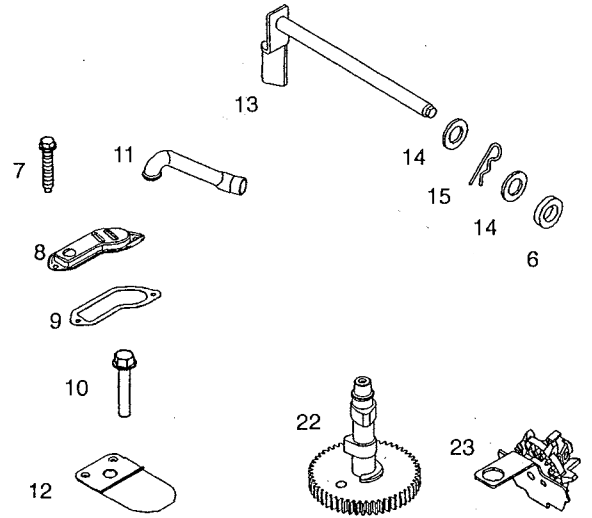
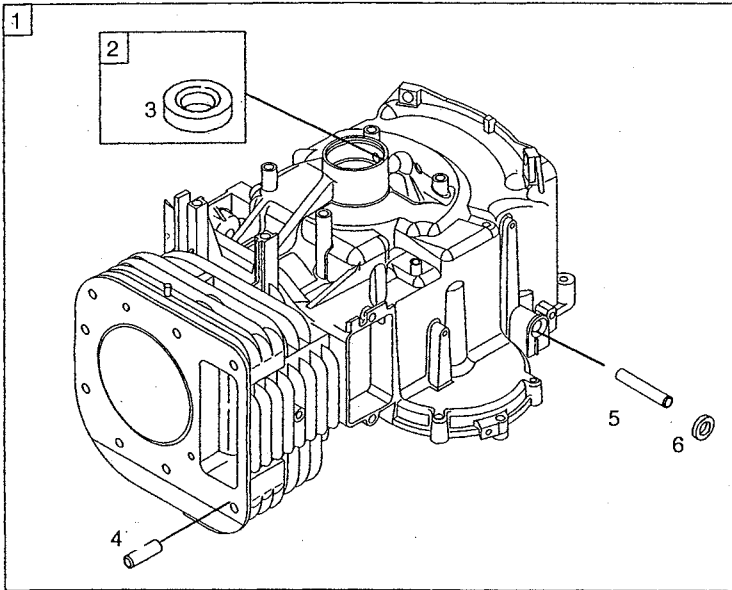


Utgåva Issue 2004-13		Bildnr Picture No 1253B		FRONTVIKT ART.NR 13-0912-11		FRONT WEIGHT ART.NO 13-0912-11		Sida Page 148	
Pos. Fig.	Antal/Quantity			Art nr Part No	Benämning	Description	Sats Kit	Anmärkning Notes	
	0912								
23	3			9939-0850-12	Skruv .....	Screw .....			
24	3			9747-0831-02	Mutter .....	Lock nut .....			

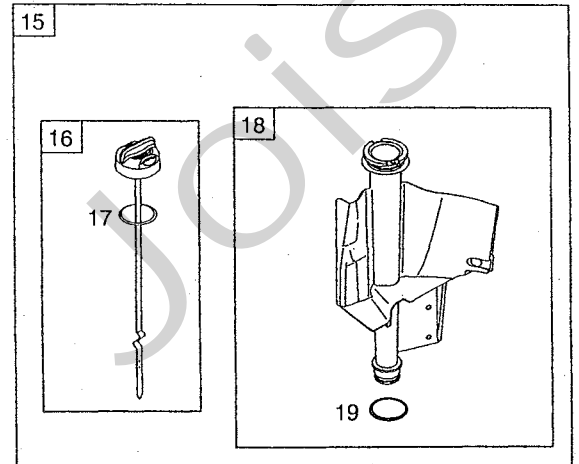
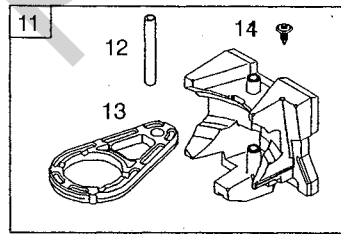
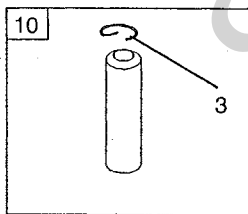
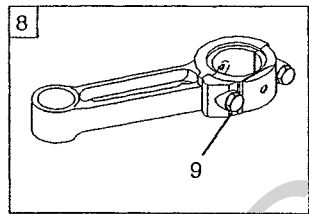
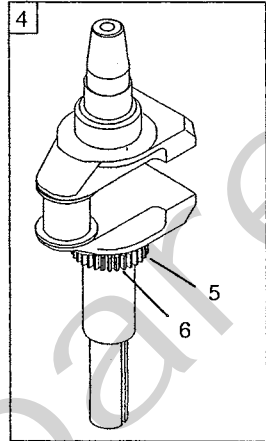
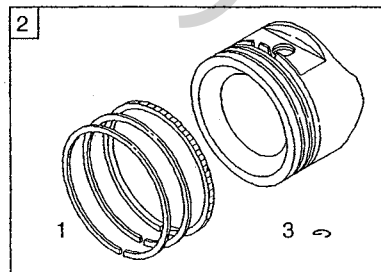


Utgåva Issue		Bildnr Picture No		MULCHINGSATS ART.NR 13-0935-11		MULCHING KIT ART.NO 13-0935-11		Sida Page	
2004-13		1559						160	
Pos. Fig.	Antal/Quantity			Art nr Part No	Benämning	Description	Sats Kit	Anmärkning Notes	
	0935								
72	1			1136-1233-01	Deflektor .....	Deflector .....			
73	1			1136-1237-01	Handtagsrör.....	Handle tube.....			
74	1			1136-1242-01	Sprint.....	Pin .....			
75	1			1136-1239-01	Fjäder.....	Spring .....			
76	1			9836-9635-12	Skruv .....	Screw .....			
77	1			1136-0882-01	Handtag .....	Handgrip .....			
78	1			1136-0927-01	Elastiskt band .....	Elastic tie.....			
79	2			1136-0877-01	Krok.....	Hook .....			

A

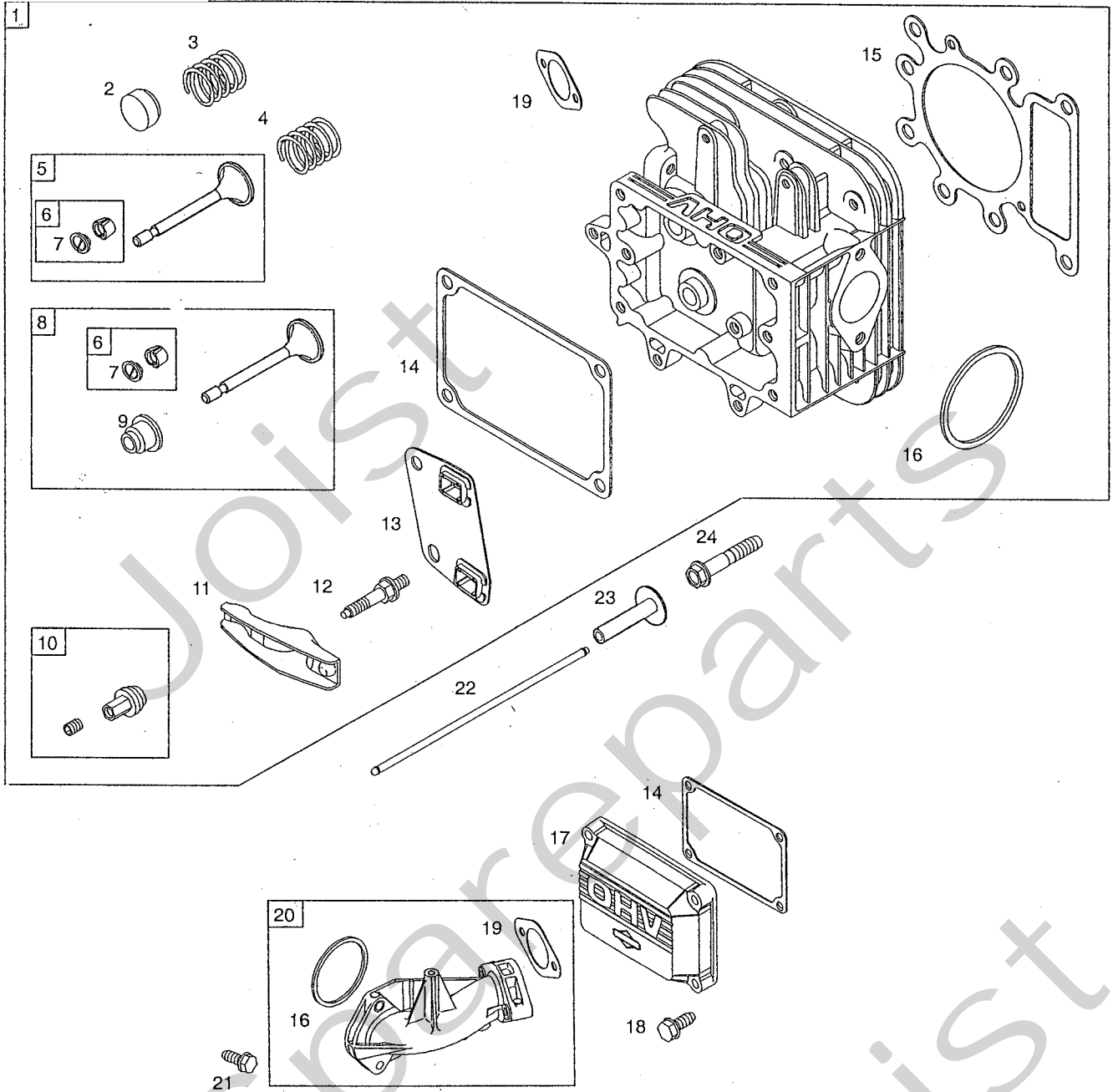


B



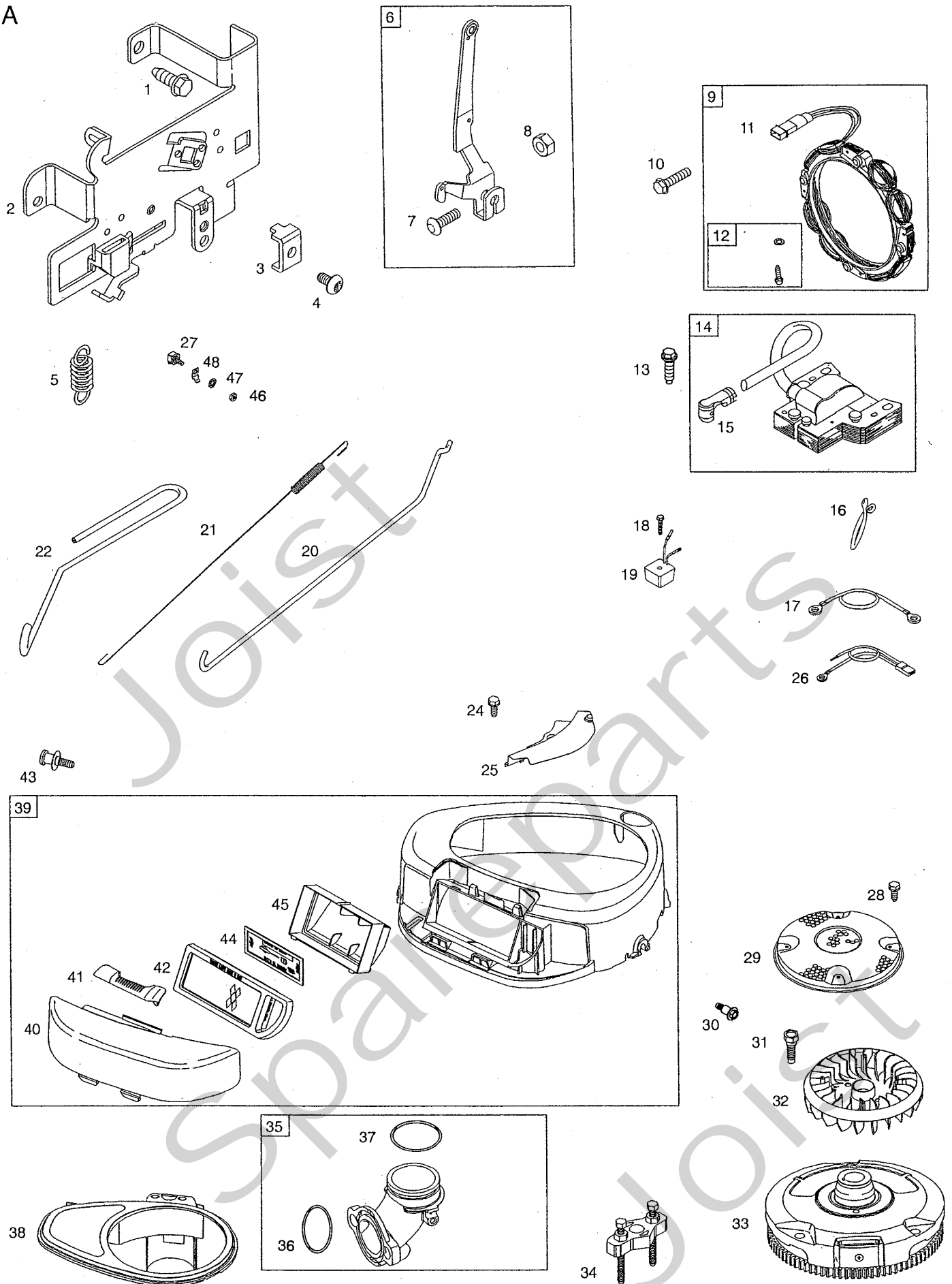
Utgåva Issue		Bildnr Picture No		BRIGGS & STRATTON 21A907 CYLINDER (A) VEVAXEL (B)		BRIGGS & STRATTON 21A907 CYLINDER (A) CRANKSHAFT (B)		Sida Page	
2004-13		1692						196	
Pos. Fig.	Antal/Quantity			Art nr Part No	Benämning	Description	Sats Kit	Anmärkning Notes	
	21A 907- 0146								
X	A01	1		697377	Cylinder kpl.....	Cylinder assy.....			
	A02	1		399265	• Bussning.....	• Bushing.....			
	A03	1		391086	•• Tätningssring.....	•• Seal.....			
	A04	2		690959	• Tapp.....	• Locating pin.....			
	A05	1		697144	• Bussning.....	• Bushing.....			
	A06	1		692407	• Tätning.....	• Seal.....			
	A07	2		697157	Skruv.....	Screw.....			
	A08	1		697112	Lock.....	Cover.....			
	A09	1		697109	Packning.....	Gasket.....			
	A10	1		697104	Skruv.....	Screw.....			
	A11	1		697113	Ventilationsrör.....	Breather tube.....			
	A12	1		697124	Ventil.....	Breather reed.....			
	A13	1		692012	Regulatoraxel.....	Governor crank.....			
	A14	2		691691	Bricka.....	Washer.....			
	A15	1		691620	Låsnål.....	Cotter pin.....			
	A17	1		691909	Tändstiftshylsa.....	Spark plug boot.....			
	A18	1		9400-0244-00	Tändstift.....	Spark plug.....			
	A19	1		89838	Tändstiftsnyckel.....	Spark plug wrench.....			
X	A20	1		697359	Cylinderskydd.....	Cylinder shield.....			
	A21	1		691003	Skruv.....	Screw.....			
X	A22	1		699016	Kamaxel.....	Camshaft.....			
	A23	1		691968	Oljekastardrev.....	Oil slinger.....			
	A24	1		690946	Avtappningsplugg.....	Oil drain plug.....			
	A25	10		692125	Skruv.....	Screw.....			
	A26	1		690947	• Tätningssring.....	• Oil seal.....			
	A27	1		697110	• Packning.....	• Gasket.....			
	A28	1		697106	Oljesump.....	Engine sump.....			
X	B01	1		698375	• Kolringssats.....	• Ring set.....		Standard	
X	B01	1		698377	• Kolringssats.....	• Ring set.....		.020" oversize	
	B02	1		698371	Kolv kpl.....	Piston assy.....		Standard	
X	B02	1		698373	Kolv kpl.....	Piston assy.....		.020" oversize	
	B03	2		698469	• Låsring.....	• Lock.....			
X	B04	1		697390	Vevaxel.....	Crankshaft.....			
	B05	1		697128	• Drev.....	• Timing gear.....			
	B06	1		691639	• Kil.....	• Timing key.....			
	B07	1		222698	Kil.....	Key.....			
X	B08	1		697364	Vevstake.....	Connecting rod.....			
	B09	2		692852	• Skruv.....	• Screw.....			
	B10	1		697099	Kolvbult.....	Piston pin.....			
X	B11	1		697391	Motvikt.....	Counterweight.....			
	B12	1		697392	• Axel.....	• Pin.....			
	B13	1		697607	• Länk.....	• Link.....			
	B14	2		697156	• Plugg.....	• Plug.....			
	B15	1		697611	Oljesticka kpl.....	Oil dipstick assy.....			
	B16	1		697086	• Oljesticka.....	• Oil dipstick.....			
	B17	1		691031	•• O-ring.....	•• O-ring.....			
	B18	1		697184	• Oljerör.....	• Dipstick tube.....			
	B19	1		691032	•• Tätning.....	•• Tube seal.....			
X	B20	1		698139	Skruv.....	Screw.....			

A



Utgåva Issue 2004-13		Bildnr Picture No 1682		BRIGGS & STRATTON 21A907 TOPPLOCK (A)		BRIGGS & STRATTON 21A907 CYLINDER HEAD (A)		Sida Page 198	
Pos. Fig.	Antal/Quantity			Art nr Part No	Benämning	Description	Sats Kit	Anmärkning Notes	
	21A 907- 0146								
X A01	1			697396	Topplock .....	Cylinder head .....			
A02	1			691843	• Ventilhuv .....	• Valve cap .....			
A03	1			691279	• Ventilfjäder .....	• Valve spring .....			
A04	1			691279	• Ventilfjäder .....	• Valve spring .....			
A05	1			495856	• Ventil- utblås .....	• Valve-exhaust .....			
A06	2			499586	• Ventilhållare .....	• Valve keeper .....			
A07	2			690964	• Ventilhållare .....	• Valve retainer .....			
A08	1			495857	• Ventil- insug .....	• Valve-intake .....			
A09	1			690968	• Ventiltätning .....	• Valve seal .....			
A10	2			691986	• Vipparmsjustering .....	• Rocker arm adjuster .....			
A11	2			691751	• Vipparm .....	• Rocker arm .....			
A12	2			691095	• Pinnbult .....	• Stud .....			
A13	1			690822	• Stötstångsstyrning .....	• Push rod guide .....			
A14	1			272475	• Packning .....	• Gasket .....			
A15	1			273280	• Topplockspackning .....	• Cylinder head gasket .....			
A16	1			692138	• O- ring .....	• O- ring .....			
A17	1			692492	Ventilkåpa .....	Rocker cover .....			
A18	4			691108	Skruv .....	Screw .....			
A19	1			692137	• Packning .....	• Gasket .....			
X A20	1			697361	Insugningsrör .....	Intake manifold .....			
A21	2			691148	Skruv .....	Screw .....			
X A22	1			697394	Stötstång (insug) .....	Push rod (intake) .....			
X A22	1			697395	Stötstång (utblås) .....	Push rod (exhaust) .....			
A23	2			690564	Ventillyftare .....	Valve tappet .....			
A24	8			690360	Skruv .....	Screw .....			

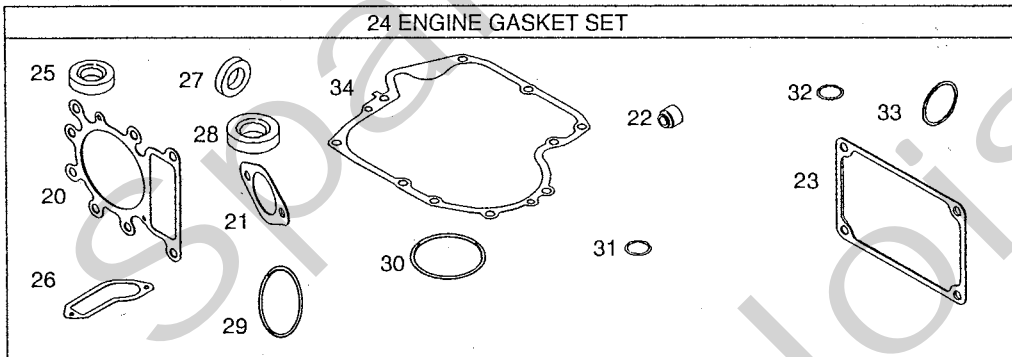
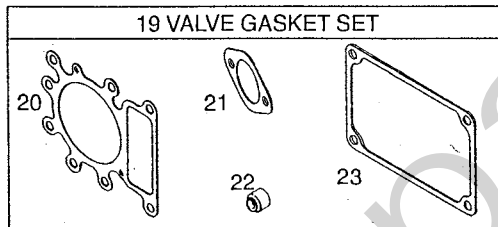
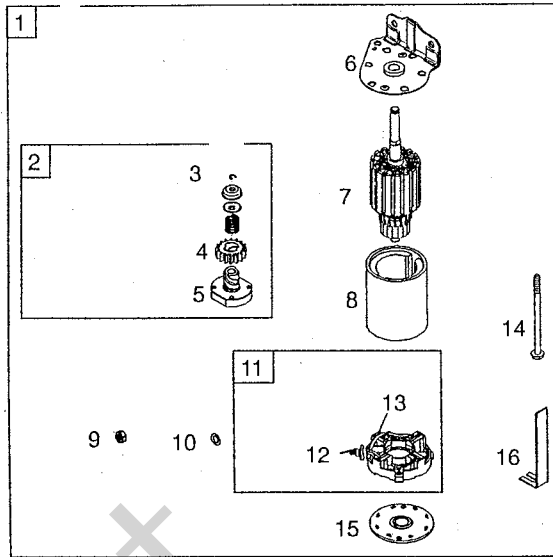
A



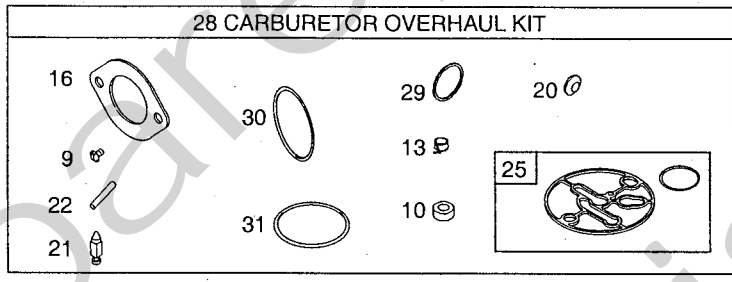
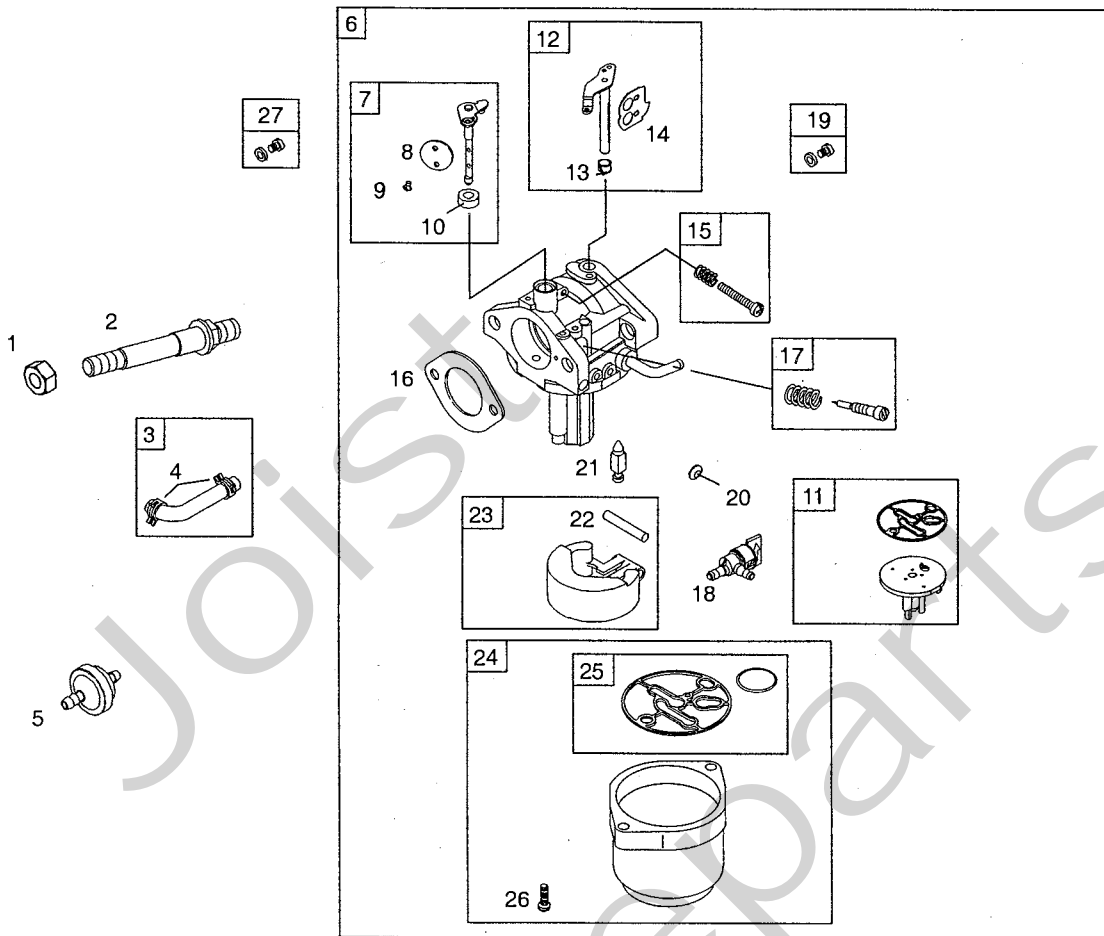


Utgåva Issue		Bildnr Picture No		BRIGGS & STRATTON 21A907 REGULATOR (A) FLÄKTHUS (A)		BRIGGS & STRATTON 21A907 GOVERNOR (A) BLOWER HOUSING (A)		Sida Page	
2004-13		1693						200	
Pos. Fig.	Antal/Quantity			Art nr Part No	Benämning	Description	Sats Kit	Anmärkning Notes	
	21A 907- 0146								
A01	2			691693	Skruv .....	Screw .....			
A02	1			694042	Reglageplåt .....	Control bracket .....			
A03	1			691024	Klämma .....	Clamp .....			
A04	1			690804	Skruv .....	Screw .....			
A05	1			692208	Fjäder .....	Spring .....			
A06	1			691374	Regulatorarm .....	Governor lever .....			
A07	1			691119	• Bult .....	• Bolt .....			
A08	1			691251	• Mutter .....	• Nut .....			
A09	1			696457	Generator .....	Alternator .....			
A10	4			691183	Skruv .....	Screw .....			
A11	1			393537	• Anslutning .....	• Connector .....			
A12	1			698516	• Skruv/bricka .....	• Screw/washer kit .....			
A13	2			691061	Skruv .....	Screw .....			
A14	1			492341	Tändsystem .....	Armature magneto .....			
A15	1			493880	• Anslutningshylsa .....	• Terminal .....			
A16	1			694123	Kabelklämma .....	Wire clip .....			
A17	1			697089	Kabel .....	Stop wire .....			
A18	1			697088	Skruv .....	Screw .....			
A19	1			691188	Regulator .....	Regulator .....			
A20	1			691841	Regulatorlänk .....	Governor link .....			
A21	1			691842	Fjäder .....	Spring .....			
A22	1			691840	Chokelänk .....	Choke link .....			
A24	2			691003	Skruv .....	Screw .....			
A25	1			697352	Skydd .....	Guard .....			
A26	1			398808	Kortslutningskabel .....	Ground wire .....			
A27	1			691972	Isolator .....	Insulator .....			
A28	4			697897	Skruv .....	Screw .....			
A29	1			697133	Roterande skydd .....	Rotating screen .....			
A30	2			697102	Skruv .....	Screw .....			
A31	2			690372	Skruv .....	Screw .....			
X A32	1			699044	Fläkt .....	Fan .....			
X A33	1			698282	Svänghjul .....	Flywheel .....			
A34	1			19203	Avdragare .....	Puller .....			
A35	1			697122	Insugningsrör .....	Intake elbow .....			
A36	1			691917	• O-ring .....	• O-ring .....			
A37	1			697123	• O-ring .....	• O-ring .....			
A38	1			698368	Platta .....	Trim plate .....			
X A39	1			697870	Fläkthus .....	Blower housing .....			
X A40	1			697420	• Lock .....	• Cover .....			
X A41	1			697419	• Spärr .....	• Latch .....			
X A42	1			698413	• Luftfilter .....	• Air cleaner filter .....			
A43	1			697103	Skruv .....	Screw .....			
X A44	1			697292	• Förfilter .....	• Precleaner filter .....			
X A45	1			697155	• Hållare .....	• Retainer .....			
A46	1			691612	Mutter .....	Nut .....			
A47	1			691077	Bricka .....	Washer .....			
A48	1			691084	Anslutningsbleck .....	Ground terminal .....			

A

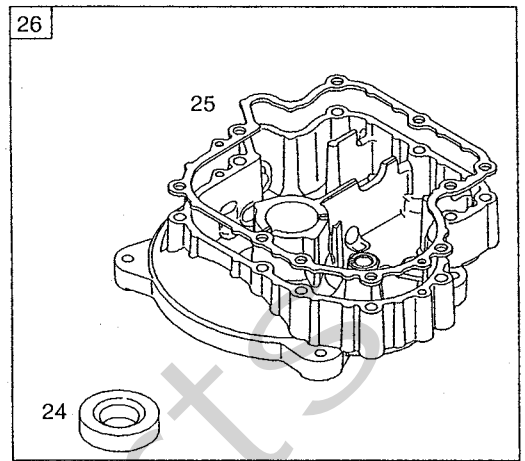
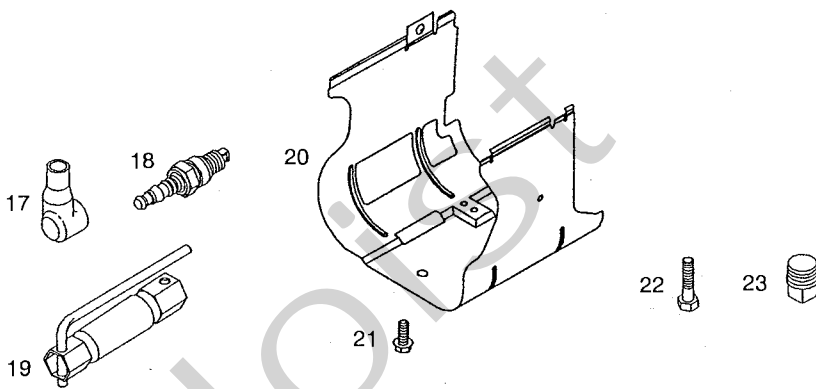
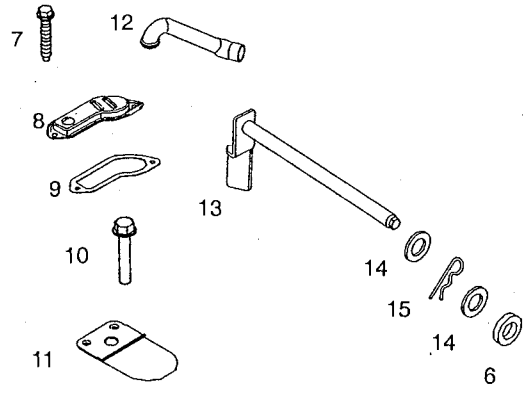
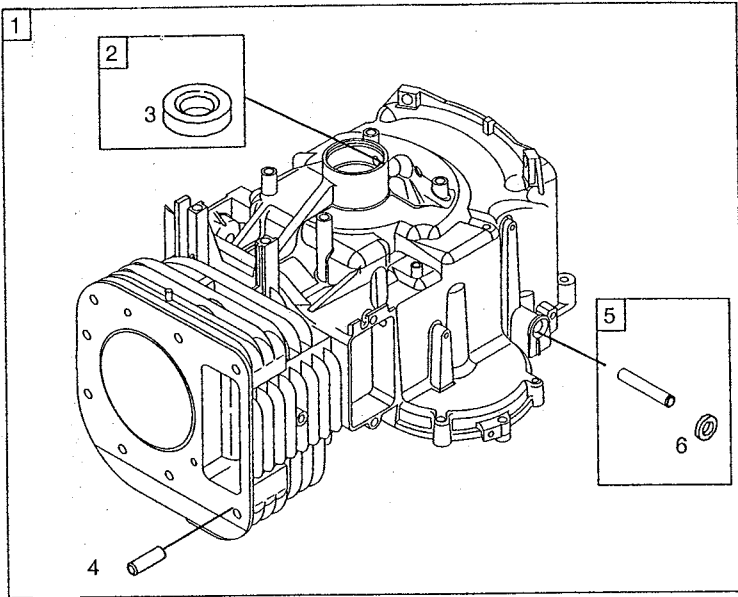


Utgåva Issue		Bildnr Picture No		BRIGGS & STRATTON 21A907 STARTMOTOR (A) PACKNINGSSATS (A)		BRIGGS & STRATTON 21A907 STARTER MOTOR (A) GASKET SET (A)		Sida Page	
2004- 13		1684						202	
Pos. Fig.	Antal/Quantity			Art nr Part No	Benämning	Description	Sats Kit	Anmärkning Notes	
	21A 907- 0146								
A01	1			693551	Startmotor kpl .....	Starter motor assy .....			
A02	1			693699	• Startdrev .....	• Starter drive .....			
A03	1			691265	•• Låsring .....	•• Retaining ring .....			
A04	1			693713	•• Drev .....	•• Pinion gear .....			
A05	1			692024	•• Koppling .....	•• Drive clutch .....			
A06	1			691283	• Lock .....	• Drive cap .....			
A07	1			692034	• Rotor .....	• Armature .....			
A08	1			693757	• Startmotorhus .....	• Starter housing .....			
A09	1			691029	• Mutter .....	• Nut .....			
A10	1			691261	• Bricka .....	• Washer .....			
A11	1			691293	• Borsthållare .....	• Brush retainer .....			
A12	1			693167	•• Mutter .....	•• Nut .....			
A13	1			497608	•• Släpksats .....	•• Brush set .....			
A14	2			690323	• Bult .....	• Bolt .....			
A15	1			691286	• Botten .....	• End cap .....			
A16	1			691532	• Stag .....	• Strap .....			
A17	1			691224	Kabelklämma .....	Wire clip .....			
A18	1			690372	Skruv .....	Screw .....			
A19	1			691581	Packningssats- ventil .....	Gasket set- valve .....			
A20	1			273280	• Topplöckspackning .....	• Cylinder head gasket .....			
A21	1			692137	• Packning .....	• Gasket .....			
A22	1			690968	• Ventilätning .....	• Valve seal .....			
A23	1			272475	• Packning .....	• Gasket .....			
A24	1			697151	Packningssats- motor .....	Gasket set- engine .....			
A25	1			391086	• Tätningsring .....	• Seal .....			
A26	1			697109	• Packning .....	• Gasket .....			
A27	1			692407	• Tätning .....	• Seal .....			
A28	1			690947	• Tätningsring .....	• Oil seal .....			
A29	1			691917	• O- ring .....	• O- ring .....			
A30	1			697123	• O- ring .....	• O- ring .....			
A31	1			691032	• Tätning .....	• Tube seal .....			
A32	1			691031	• O- ring .....	• O- ring .....			
A33	1			692138	• O- ring .....	• O- ring .....			
A34	1			697110	• Packning .....	• Gasket .....			

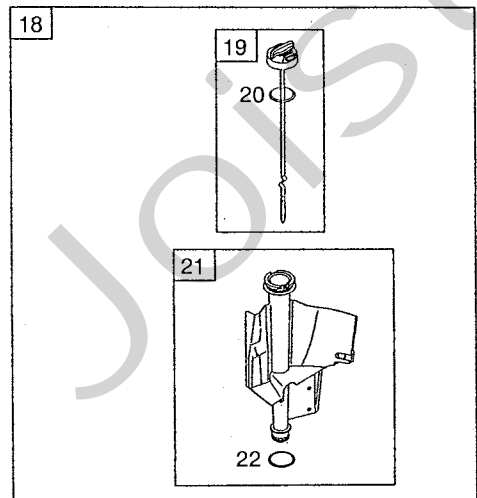
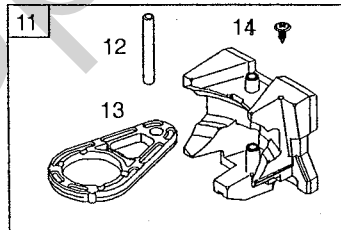
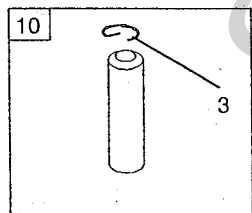
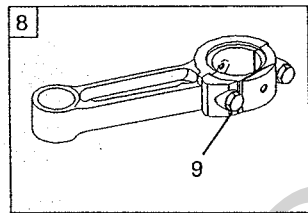
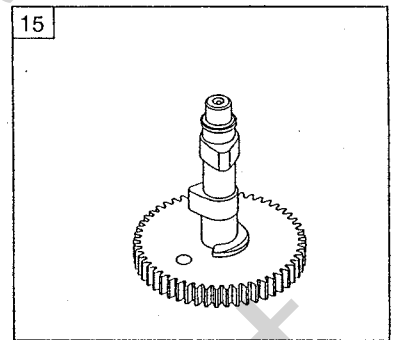
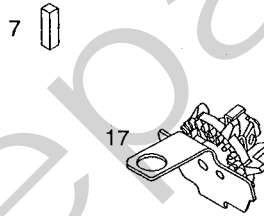
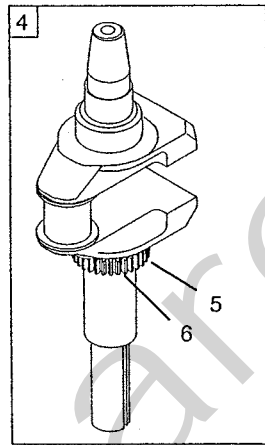
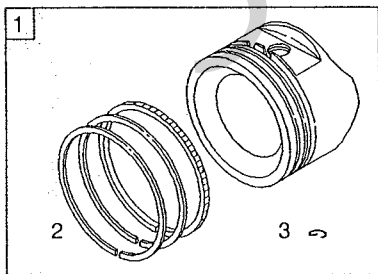


Utgåva Issue		Bildnr Picture No		BRIGGS & STRATTON 21A907 FÖRGASARE (A) PACKNINGSSATS (A)		BRIGGS & STRATTON 21A907 CARBURETTOR (A) GASKET SET (A)		Sida Page	
2004-13		1694						204	
Pos. Fig.	Antal/Quantity			Art nr Part No	Benämning	Description	Sats Kit	Anmärkning Notes	
	21A 907- 0146								
	A01	2		690958	Mutter.....	Nut.....			
	A02	2		690227	Pinnbult.....	Stud.....			
	A03	1		697098	Bränsleslang.....	Fuel line.....			
	A04	2		95162	• Slangklämma.....	• Hose clamp.....			
	A05	1		394358	Bränslefilter.....	Fuel filter.....			
X	A06	1		699896	Förgasare kpl.....	Carburettor assy.....			
X	A07	1		698776	• Spjällaxel.....	• Throttle shaft.....			
X	A08	1		698774	•• Gasspjäll.....	•• Throttle valve.....			
	A09	2		690718	•• Skruv.....	•• Screw.....			
X	A10	1		698777	•• Tätning.....	•• Seal.....			
X	A11	1		698780	• Rör.....	• Transfer tube.....			
X	A12	1		698778	• Chokeaxel.....	• Choke shaft.....			
X	A13	1		698779	•• Fjäder/tätning.....	•• Spring/seal.....			
X	A14	1		698773	•• Chokespjäll.....	•• Choke valve.....			
	A15	1		695408	• Tomgångsskruv.....	• Idle speed kit.....			
	A16	1		692137	• Packning.....	• Gasket.....			
	A17	1		695425	• Justerskruv.....	• Idle mixture kit.....			
X	A18	1		698183	• Bränslekrän.....	• Fuel shut-off valve.....			
X	A19	1		699897	• Huvudmunstycke.....	• Main jet.....		Standard	
	A20	1		690727	• Expansionsplugg.....	• Welch plug.....			
	A21	1		696136	• Nålventil.....	• Needle valve.....			
	A22	1		694918	•• Flottöraxel.....	•• Float hinge pin.....			
X	A23	1		694914	• Flottör.....	• Float.....			
X	A24	1		698783	• Flottörhus.....	• Float bowl.....			
X	A25	1		698781	•• Packning.....	•• Gasket.....			
	A26	2		695407	•• Skruv.....	•• Screw.....			
X	A27	1		699898	Huvudmunstycke.....	Main jet.....		High altitude	
X	A28	1		698787	Rep.sats- förgasare.....	Overhaul kit- carbur.....			
	A29	1		692138	• O-ring.....	• O-ring.....			
	A30	1		691917	• O-ring.....	• O-ring.....			
	A31	1		697123	• O-ring.....	• O-ring.....			

A



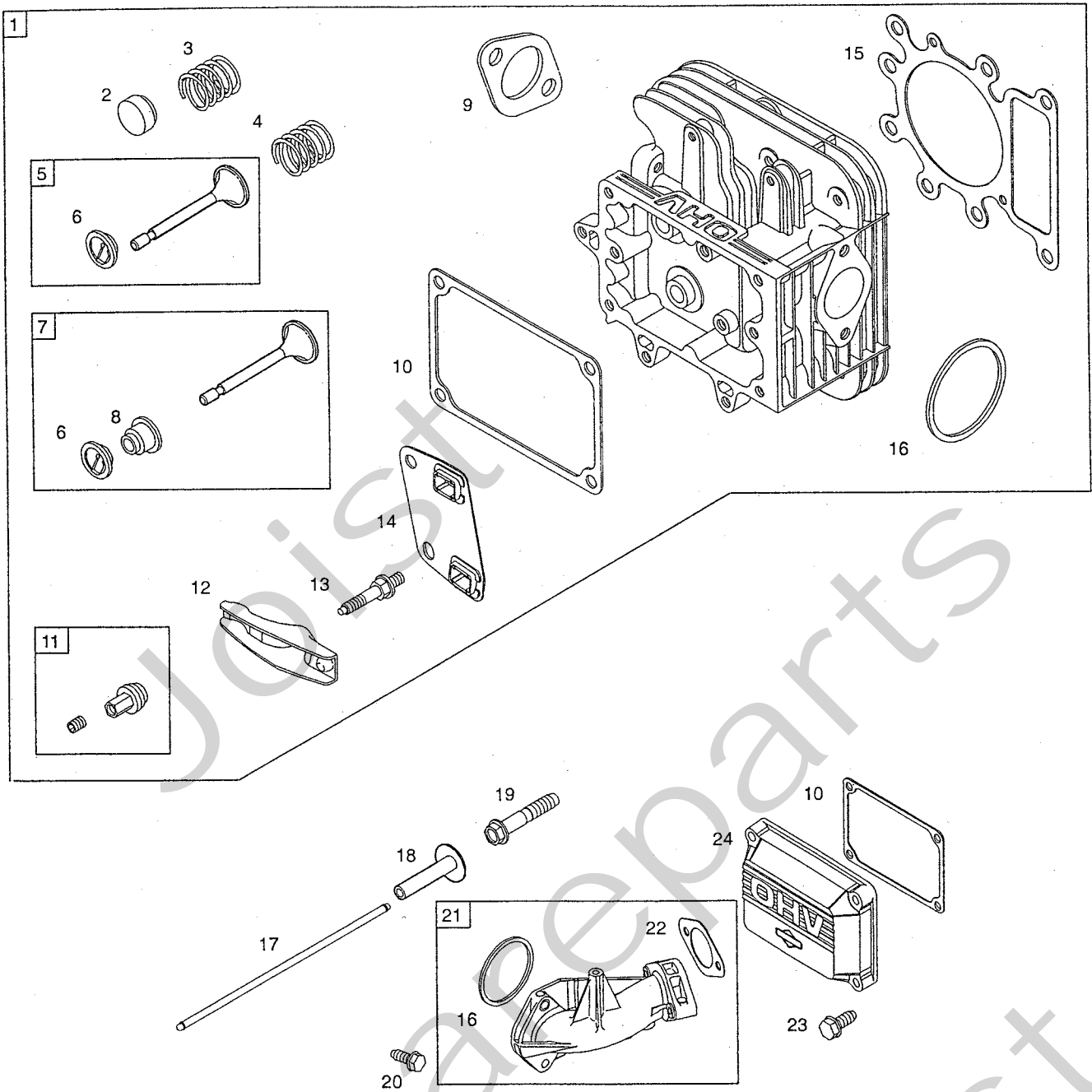
B



Utgåva Issue		Bildnr Picture No		BRIGGS & STRATTON 282H07 CYLINDER (A) VEVAXEL (B)		BRIGGS & STRATTON 282H07 CYLINDER (A) CRANKSHAFT (B)		Sida Page	
2004-13		1695						206	
Pos. Fig.	Antal/Quantity			Art nr Part No	Benämning	Description	Sats Kit	Anmärkning Notes	
	282 H07- 0111								
A01	1			697132	Cylinder kpl.....	Cylinder assy.....			
A02	1			399265	• Bussning.....	• Bushing.....			
A03	1			391086	•• Tätningssring.....	•• Seal.....			
A04	1			690959	• Tapp.....	• Locating pin.....			
A05	1			697144	• Bussning.....	• Bushing.....			
A06	1			692407	•• Tätning.....	•• Seal.....			
A07	2			697157	Skruv.....	Screw.....			
A08	1			697112	Lock.....	Cover.....			
A09	1			697109	Packning.....	Gasket.....			
A10	2			697104	Skruv.....	Screw.....			
A11	1			697124	Ventil.....	Breather reed.....			
A12	1			697113	Ventilationsrör.....	Breather tube.....			
A13	1			692012	Regulatoraxel.....	Governor crank.....			
A14	2			691691	Bricka.....	Washer.....			
A15	1			691620	Låsnål.....	Cotter pin.....			
A17	1			691909	Tändstiftshylsa.....	Spark plug boot.....			
A18	1			9400-0244-00	Tändstift.....	Spark plug.....			
A19	1			89838	Tändstiftsnyckel.....	Spark plug wrench.....			
A20	1			697107	Skydd.....	Cylinder shield.....			
A21	1			691003	Skruv.....	Screw.....			
A22	10			692125	Skruv.....	Screw.....			
A23	1			690946	Avtappingsplugg.....	Oil drain plug.....			
A24	1			690947	• Tätningssring.....	• Oil seal.....			
A25	1			697110	• Packning.....	• Gasket.....			
A26	1			697106	Oljesump.....	Engine sump.....			
B01	1			698371	Kolv kpl.....	Piston assy.....		Standard	
B01	1			698394	Kolv kpl.....	Piston assy.....		.020" oversize	
B02	1			698376	• Kolvringssats.....	• Ring set.....		Standard	
B02	1			698397	• Kolvringssats.....	• Ring set.....		.020" oversize	
B03	2			698469	• Låsring.....	• Lock.....			
B04	1			697127	Vevaxel.....	Crankshaft.....			
B05	1			697128	• Drev.....	• Timing gear.....			
B06	1			691639	• Kil.....	• Timing key.....			
B07	1			222698	Kil.....	Key.....			
B08	1			697126	Vevstake.....	Connecting rod.....		Standard	
B09	2			692852	• Skruv.....	• Screw.....			
B10	1			697099	Kolvbult.....	Piston pin.....			
B11	1			697134	Motvikt.....	Counterweight.....			
B12	1			697392	• Axel.....	• Pin.....			
B13	1			697607	• Länk.....	• Link.....			
B14	1			697156	• Plugg.....	• Plug.....			
B15	1			698492	Kamaxel.....	Camshaft.....			
B17	1			691968	Oljekastardrev.....	Oil slinger.....			
B18	1			697611	Oljesticka kpl.....	Oil dipstick assy.....			
B19	1			697086	• Oljesticka.....	• Oil dipstick.....			
B20	1			691031	•• O- ring.....	•• O- ring.....			
B21	1			697184	• Oljerör.....	• Dipstick tube.....			
B22	1			691032	•• Tätning.....	•• Tube seal.....			

X

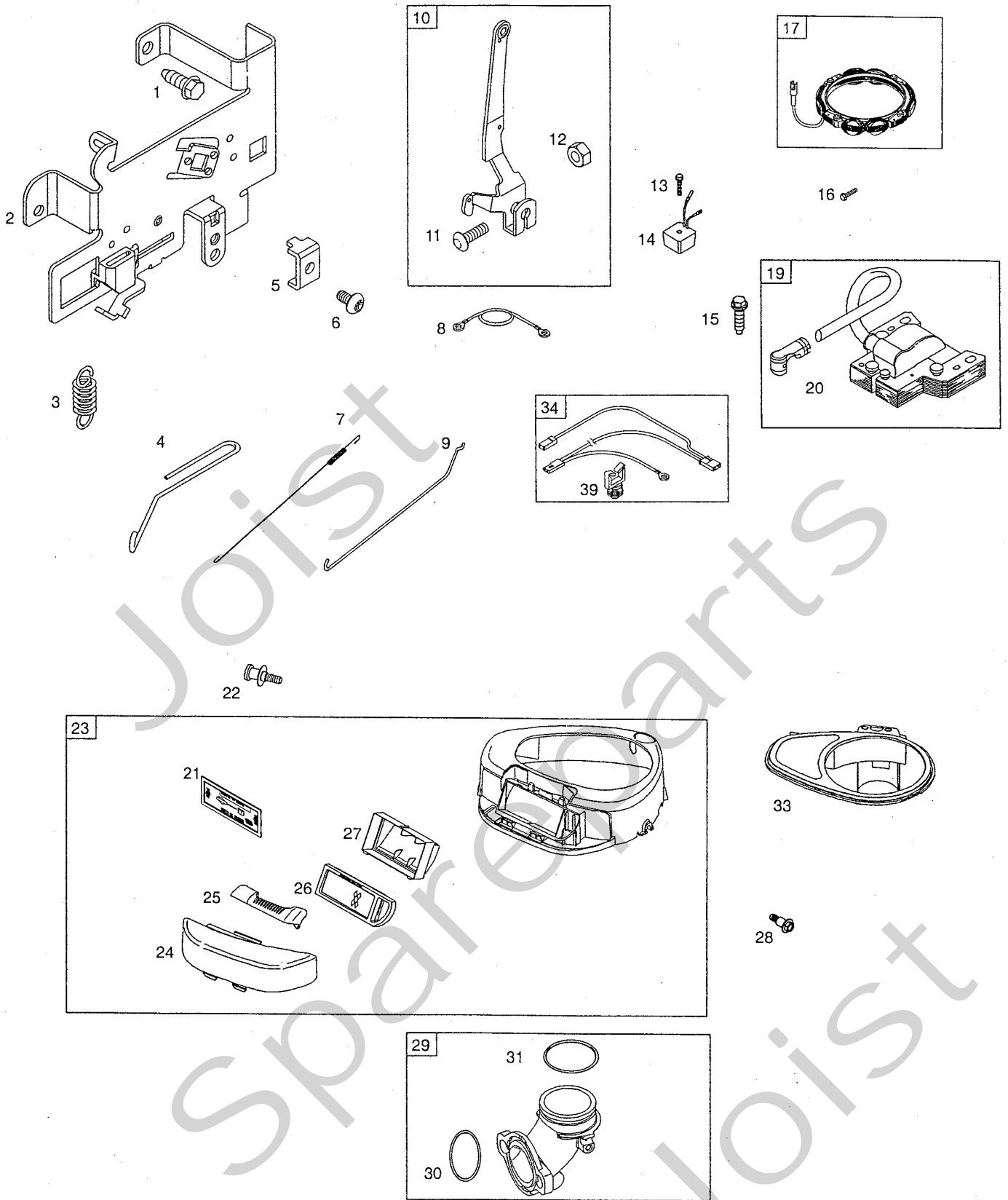
A





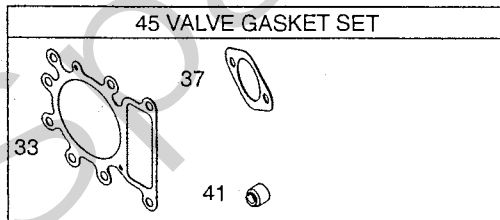
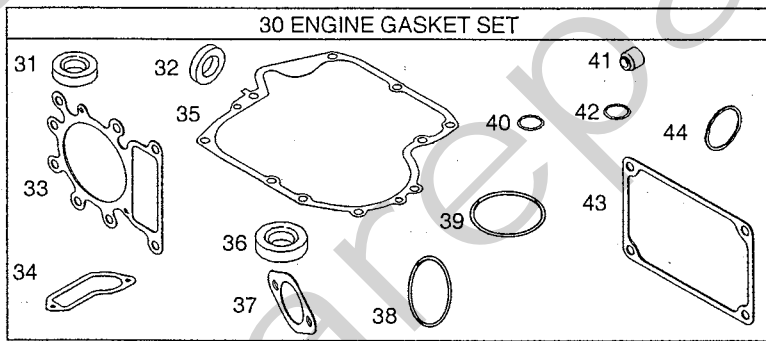
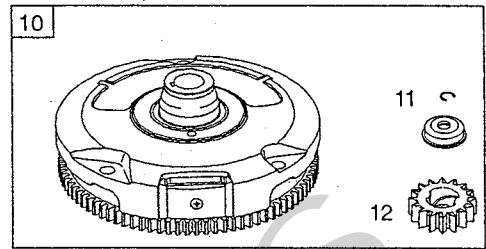
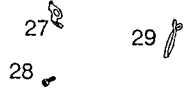
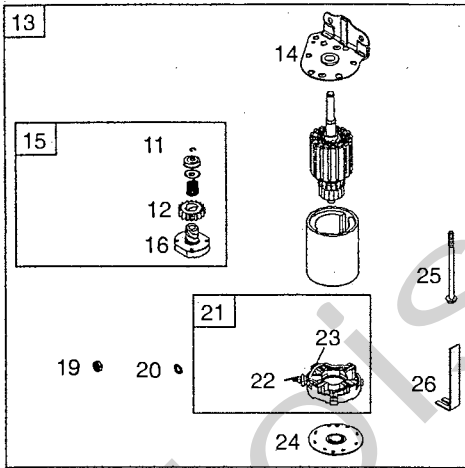
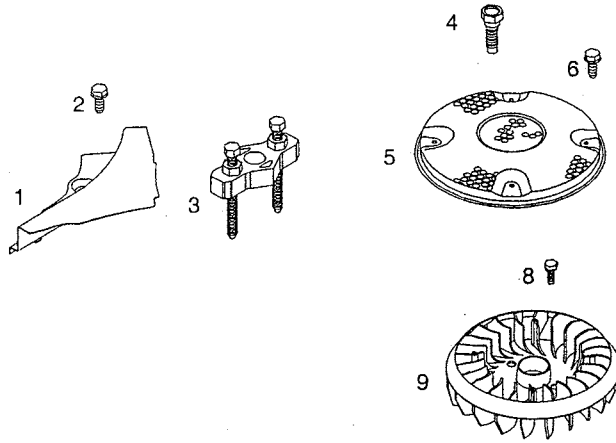
Utgåva Issue		Bildnr Picture No		BRIGGS & STRATTON 282H07 TOPPLOCK (A)		BRIGGS & STRATTON 282H07 CYLINDER HEAD (A)		Sida Page	
2004- 13		1582						208	
Pos. Fig.	Antal/Quantity			Art nr Part No	Benämning	Description	Sats Kit	Anmärkning Notes	
	282 H07- 0111								
A01	1			698148	Topplöck kpl .....	Cylinder head assy .....			
A02	1			691843	• Ventilhuv.....	• Valve cap.....			
A03	1			691279	• Ventiltjäder .....	• Valve spring .....			
A04	1			691279	• Ventiltjäder .....	• Valve spring .....			
A05	1			695760	• Utblåsningsventil .....	• Exhaust valve .....			
A06	2			691752	•• Ventiltjällare .....	•• Valve retainer .....			
A07	1			695761	• Insugningsventil .....	• Intake valve .....			
A08	1			690968	•• Ventiltätning.....	•• Valve seal .....			
A09	1			692236	• Packning.....	• Gasket.....			
A10	1			272475	• Packning.....	• Gasket.....			
A11	2			691986	• Vipparmsjustering .....	• Rocker arm adjuster.....			
A12	2			691751	• Vipparm.....	• Rocker arm .....			
A13	2			691095	• Pinnbult.....	• Stud .....			
A14	1			690822	• Stötstångsstyrning .....	• Push rod guide.....			
A15	1			273280	• Topplöckspackning .....	• Cylinder head gasket .....			
A16	1			692138	• O- ring.....	• O- ring .....			
A17	1			692003	Stötstång- insug .....	Push rod- intake .....			
A17	1			692011	Stötstång- utblås .....	Push rod- exhaust .....			
A18	2			690564	Ventillyftare .....	Valve tappet .....			
A19	8			690360	Skruv .....	Screw .....			
A20	2			691148	Skruv .....	Screw .....			
A21	1			690193	Insugningsrör.....	Intake manifold .....			
A22	1			692137	• Packning.....	• Gasket.....			
A23	4			691108	Skruv .....	Screw .....			
A24	1			692492	Ventilkåpa.....	Rocker cover.....			

A



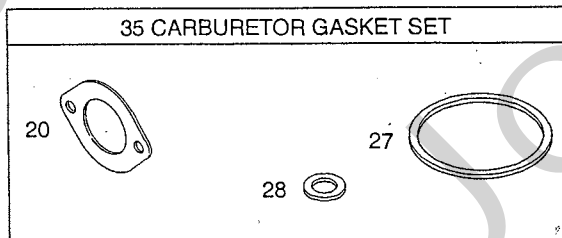
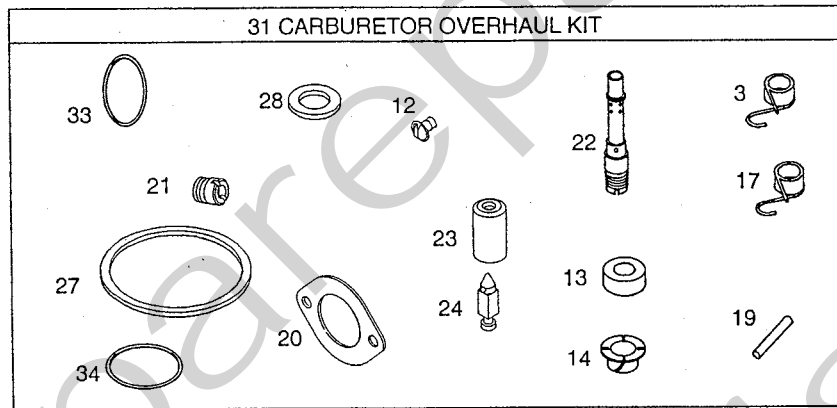
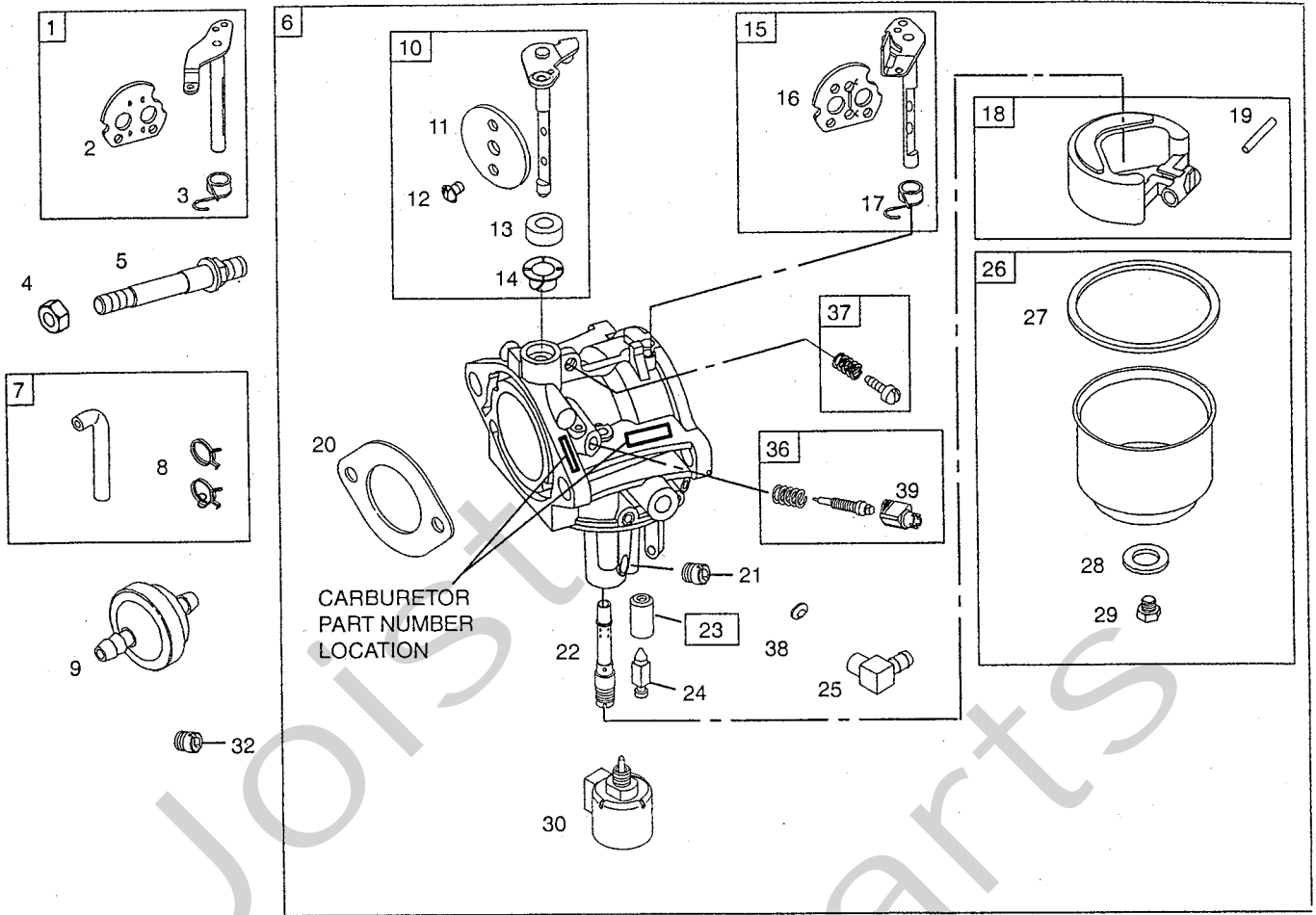
Utgåva Issue		Bildnr Picture No		BRIGGS & STRATTON 282H07 REGULATOR (A) FLÄKTHUS (A)		BRIGGS & STRATTON 282H07 GOVERNOR (A) BLOWER HOUSING (A)		Sida Page	
2004-13		1696						210	
Pos. Fig.	Antal/Quantity			Art nr Part No	Benämning	Description	Sats Kit	Anmärkning Notes	
	282 H07- 0111								
A01	2			691693	Skruv .....	Screw .....			
A02	1			694042	Reglageplåt.....	Control bracket .....			
A03	1			691795	Regulatorfjäder.....	Governor spring .....			
A04	1			691840	Chokelänk.....	Choke link .....			
A05	1			691024	Klämma .....	Clamp .....			
A06	1			690804	Skruv .....	Screw .....			
A07	1			691842	Fjäder.....	Spring .....			
A08	1			697089	Kabel .....	Stop wire.....			
A09	1			691841	Regulatorlänk.....	Governor link .....			
A10	1			691374	Regulatorarm.....	Governor lever .....			
A11	1			691119	• Bult .....	• Bolt .....			
A12	1			691251	• Mutter.....	• Nut .....			
A13	1			697088	Skruv .....	Screw .....			
A14	1			691188	Regulator.....	Regulator .....			
A15	2			691061	Skruv .....	Screw .....			
A16	4			691183	Skruv .....	Screw .....			
A17	1			696457	Generator.....	Alternator .....			
A19	1			492341	Tändsystem .....	Armature magneto .....			
A20	1			692424	• Anslutningskontakt.....	• Terminal .....			
A21	1			697015	Förfilter .....	Pre cleaner filter .....			
A22	1			697102	Skruv .....	Screw .....			
A23	1			698402	Fläkthus kpl .....	Blower housing assy .....			
A24	1			698403	• Lock.....	• Cover .....			
A25	1			697575	• Spärr.....	• Latch .....			
A26	1			698083	• Filter .....	• Filter .....			
A27	1			698401	• Hållare .....	• Retainer.....			
A28	2			697103	Skruv .....	Screw .....			
A29	1			697122	Insugningsrör .....	Intake elbow .....			
A30	1			691917	• O-ring.....	• O-ring .....			
A31	1			697123	• O-ring.....	• O-ring .....			
A33	1			698368	Platta .....	Trim plate .....			
A34	1			692037	Kablage.....	Wiring harness.....			
A39	1			691224	• Kabelklämma .....	• Wire clip .....			

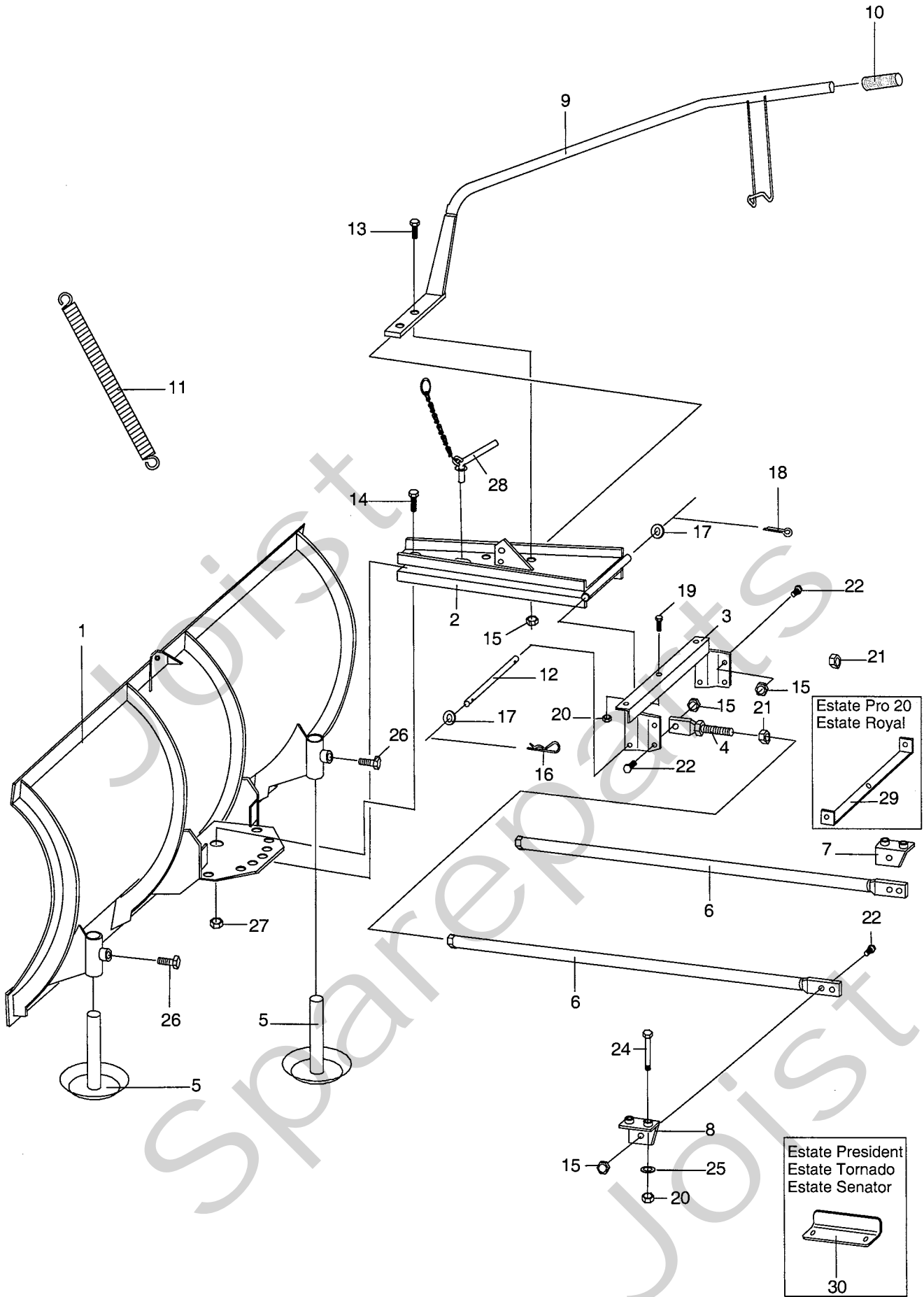
A



Utgåva Issue		Bildnr Picture No		BRIGGS & STRATTON 282H07 STARTMOTOR (A) PACKNINGSSATS (A)		BRIGGS & STRATTON 282H07 STARTER MOTOR (A) GASKET SET (A)		Sida Page	
2004-13		1697						212	
Pos. Fig.	Antal/Quantity			Art nr Part No	Benämning	Description	Sats Kit	Anmärkning Notes	
	282 H07- 0111								
X	A01	1		697352	Skydd .....	Guard .....			
	A02	1		691003	Skruv .....	Screw .....			
	A03	1		19203	Avdragare .....	Puller .....			
X	A04	1		698139	Skruv .....	Screw .....			
	A05	1		697133	Roterande skydd .....	Rotating screen .....			
	A06	4		697897	Skruv .....	Screw .....			
	A08	2		690372	Skruv .....	Screw .....			
X	A09	1		699043	Fläkt .....	Fan .....			
	A10	1		693556	Svånghjul .....	Flywheel .....			
	A11	1		691265	•• Låsring .....	•• Retaining ring .....			
	A12	1		693713	•• Drev .....	•• Pinion gear .....			
X	A13	1		693552	Startmotor kpl .....	Starter motor assy .....			
	A14	1		691283	• Lock .....	• Drive cap .....			
	A15	1		693699	• Startdrev .....	• Starter drive .....			
	A16	1		692024	•• Koppling .....	•• Drive clutch .....			
	A19	1		691029	• Mutter .....	• Nut .....			
	A20	1		691261	• Bricka .....	• Washer .....			
	A21	1		691293	• Borsthållare .....	• Brush retainer .....			
	A22	1		693167	•• Mutter .....	•• Nut .....			
	A23	1		497608	•• Släpkolssats .....	•• Brush set .....			
	A24	1		691286	• Botten .....	• End cap .....			
	A25	2		691263	• Bult .....	• Bolt .....			
	A26	1		691532	• Stag .....	• Strap .....			
	A27	1		691224	Kabelklämma .....	Wire clip .....			
	A28	2		690372	Skruv .....	Screw .....			
	A29	1		694123	Kabelklämma .....	Wire clip .....			
	A30	1		697151	Packningssats- motor .....	Gasket set- engine .....			
	A31	1		391086	• Tätningsring .....	• Seal .....			
	A32	1		692407	• Tätning .....	• Seal .....			
	A33	1		273280	• Topplöckspackning .....	• Cylinder head gasket .....			
	A34	1		697109	• Packning .....	• Gasket .....			
	A35	1		697110	• Packning .....	• Gasket .....			
	A36	1		690947	• Tätningsring .....	• Oil seal .....			
	A37	1		692137	• Packning .....	• Gasket .....			
	A38	1		691917	• O- ring .....	• O- ring .....			
	A39	1		697123	• O- ring .....	• O- ring .....			
	A40	1		691032	• Tätning .....	• Tube seal .....			
	A41	1		690968	• Ventilätning .....	• Valve seal .....			
	A42	1		691031	• O- ring .....	• O- ring .....			
	A43	1		272475	• Packning .....	• Gasket .....			
	A44	1		692138	• O- ring .....	• O- ring .....			
	A45	1		691581	Packningssats- ventil .....	Gasket set- valve .....			

A





**STIGA**  
**1453**  
 SPARE PARTS

Utgåva Issue		Bildnr Picture No		SNÖBLAD (120 cm) ART.NR 13-0924-11	SNOW BLADE (120 cm) ART.NO 13-0924-11	Sida Page		
2004-13		1453				168		
Pos. Fig.	Antal/Quantity			Art nr Part No	Benämning	Description	Sats Kit	Anmärkning Notes
	0924							
1	1			1319-1528-01	Blad .....	Blade .....		
2	1			1319-1812-01	Bladfäste .....	Blade holder .....		
3	1			1319-1816-01	Ram .....	Frame .....		
4	2			1319-1817-01	Skruv .....	Screw .....		
5	2			1319-1526-01	Släpsko .....	Skid .....		
6	2			1319-1818-01	Stag .....	Rod .....		
7	1			1319-1819-01	Stagfäste .....	Rod bracket .....		
8	1			1319-1820-01	Stagfäste .....	Rod bracket .....		
9	1			1319-1815-01	Lyftarm .....	Lift rod .....		
10	1			1319-1822-01	Handtag .....	Grip .....		
11	1			1319-1527-01	Fjäder .....	Spring .....		
12	1			1319-1821-01	Axel .....	Shaft .....		
13	2			9997-1030-16	Skruv .....	Screw .....		
14	1			1319-1551-01	Skruv .....	Screw .....		
15	8			9747-1031-02	Låsmutter .....	Lock nut .....		
16	1			1319-1692-01	Låsnål .....	Spring pin .....		
17	2			9699-0037-02	Bricka .....	Washer .....		
18	1			1319-1811-01	Saxpinne .....	Cotter pin .....		
19	3			9997-0816-16	Skruv .....	Screw .....		
20	7			9747-0831-02	Mutter .....	Lock nut .....		
21	2			9747-1031-02	Låsmutter .....	Lock nut .....		
22	6			9997-1025-16	Skruv .....	Screw .....		
24	4			9997-0880-16	Skruv .....	Screw .....		
25	4			9699-0028-02	Planbricka .....	Flat washer .....		
26	2			9997-1220-16	Skruv .....	Screw .....		
27	1			9747-1631-02	Låsmutter .....	Lock nut .....		
28	1			1319-1531-01	Sprint .....	Pin .....		
29	1			1319-1813-01	Monteringsfäste .....	Mounting plate .....		
30	1			1319-1814-01	Monteringsfäste .....	Mounting plate .....		