

# Genuine Spare Parts

www.stiga.com

**CLASSIC 90**

**SC 92**

**SC 9013**

**SC 9214**

**SC 9214B**

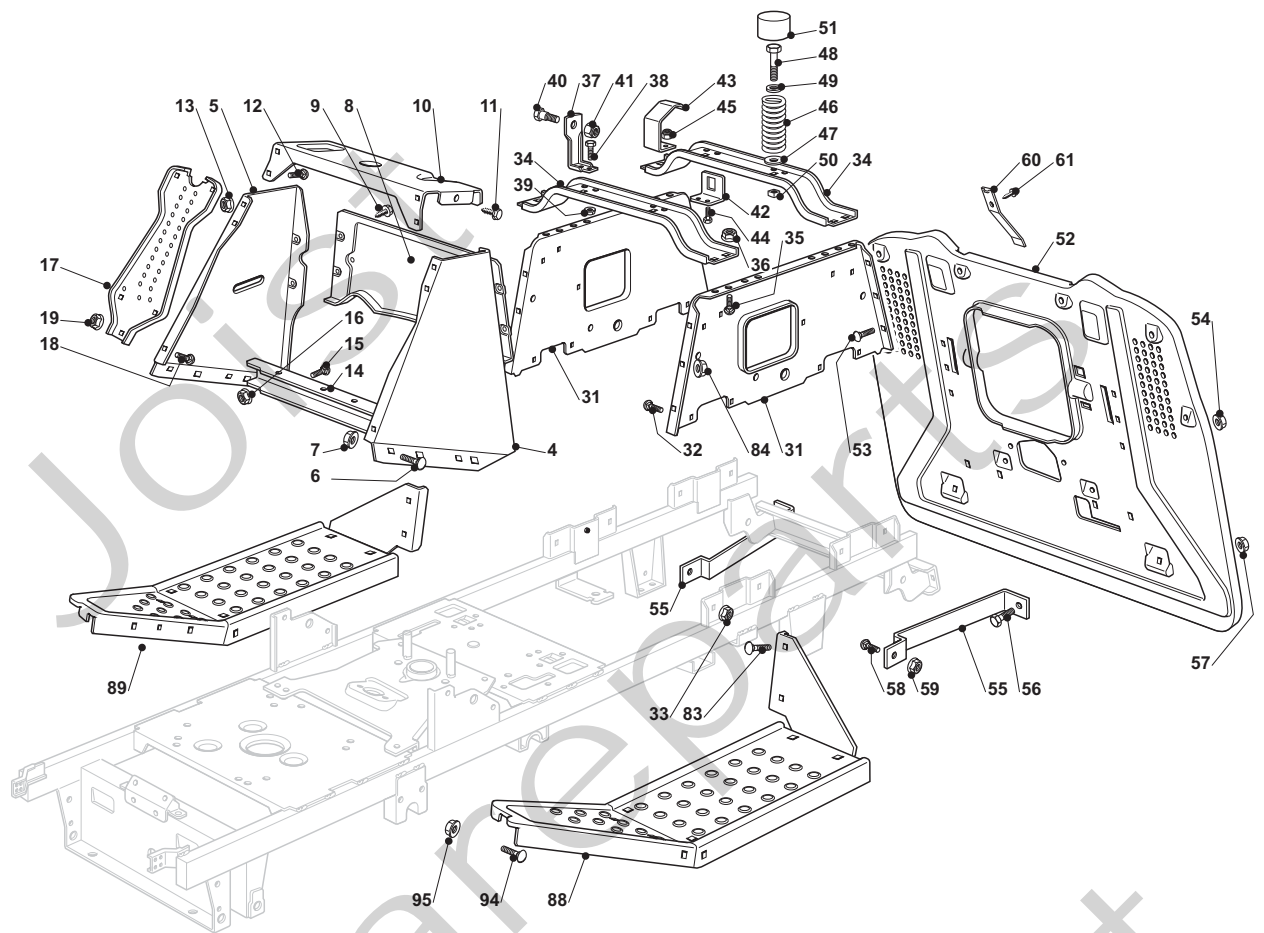
- Use GLOBAL GARDEN PRODUCT Genuine Spare Parts specified in the parts list for repair and/or replacement.
- The contents described in the parts list may change due to improvement.
- The drawings of the spare parts are only indicative and might not represent the part in question exactly.
- The indications "right" - "left" - "front" - "rear" refer to the position of the operator when using the machine.
- When placing orders of parts for repair and/or replacement, make sure that the illustrated parts list is the one applying to the machine's year of manufacture, as shown on the identification plate attached to the machine.

© Copyright 2012 Global Garden Products

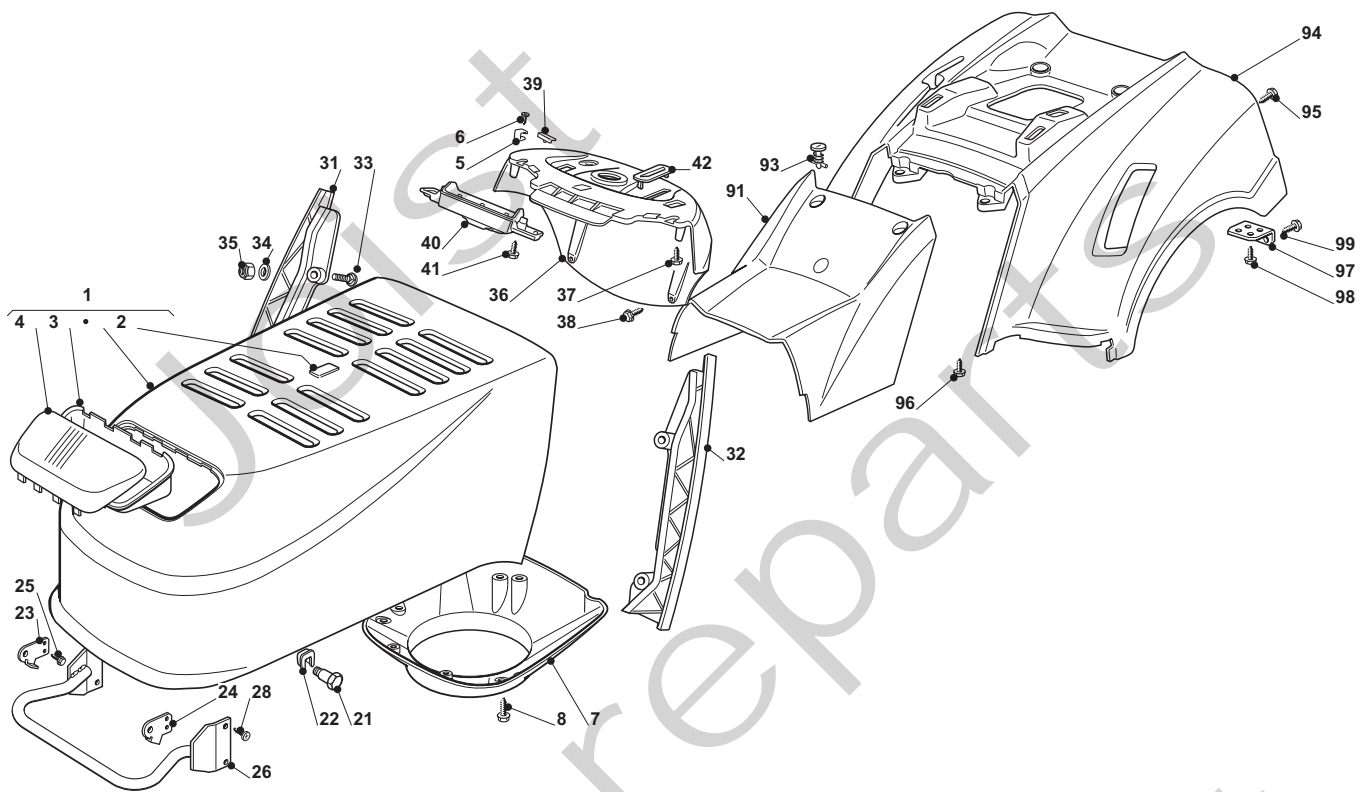
All content is subject to copyright by Global Garden Products and may not be reproduced in whole or in part by any means, electronic or otherwise, without prior written approval.

THIS INFORMATION IS NOT INTENDED FOR SALE OR RESALE, AND THIS NOTICE MUST REMAIN ON ALL COPIES.

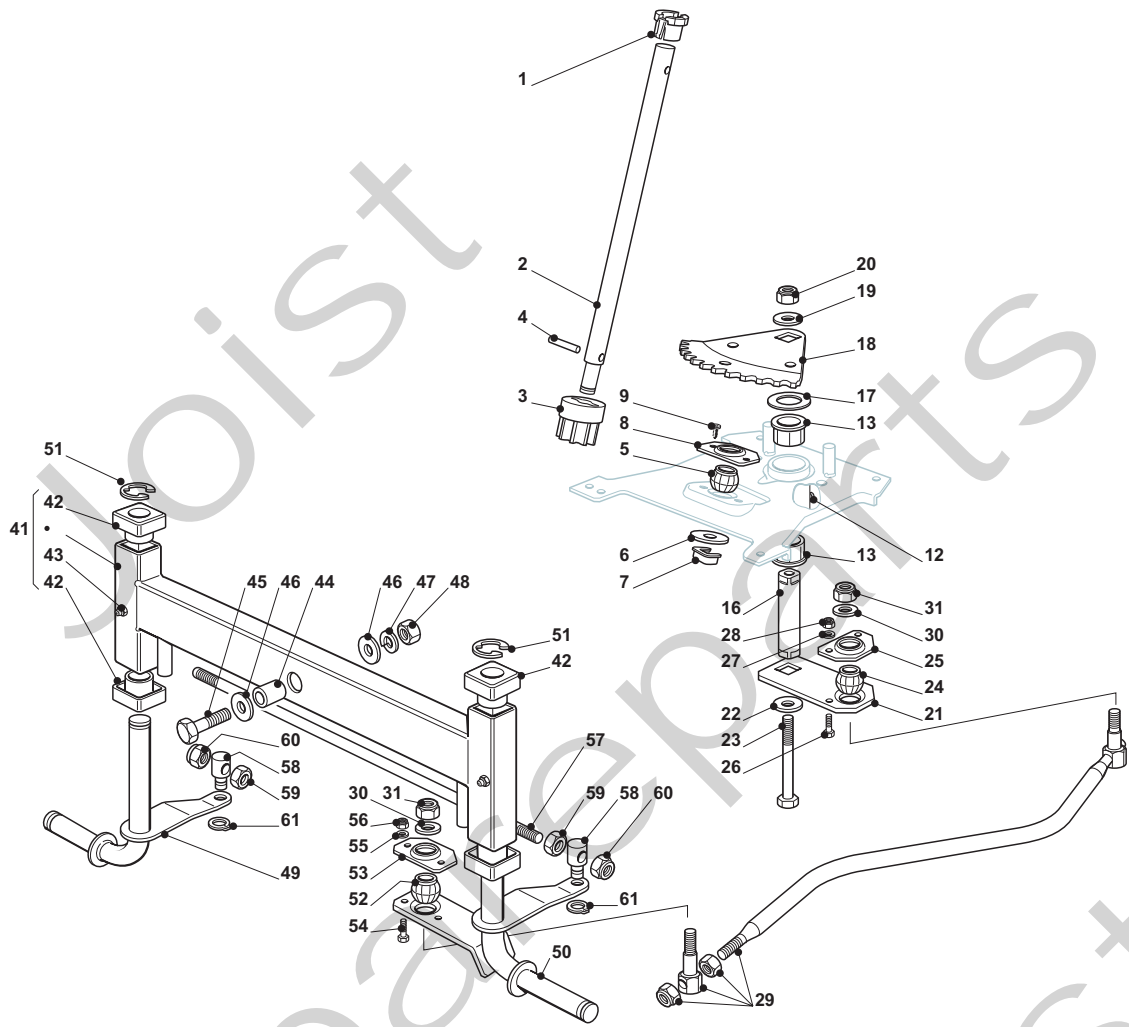
**STIGA**®



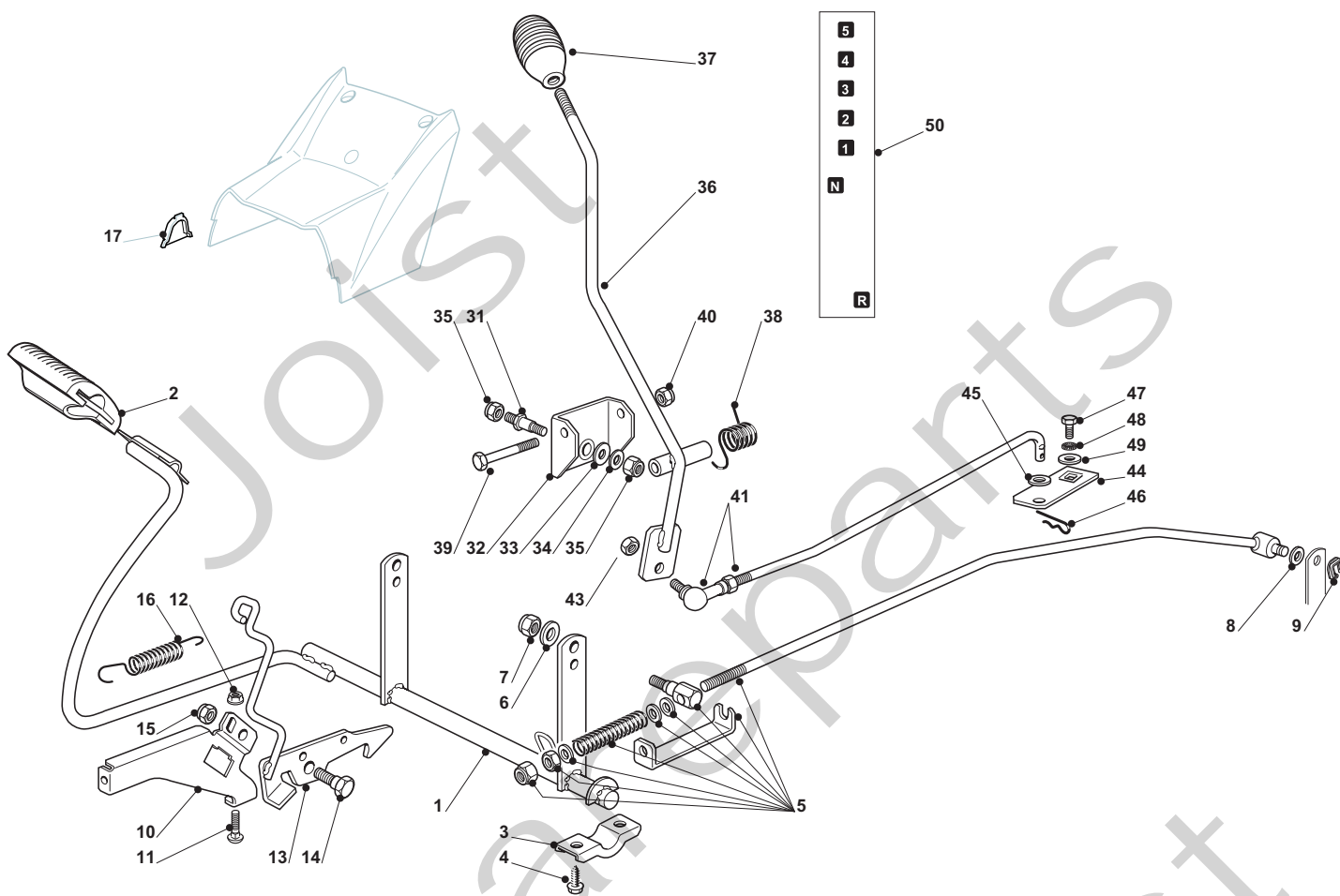
Chassis				
POSITION	CODE	Q.TY	DESCRIPTION	NOTES
4	325785243/1	1	Left Dashboard Supp.	
5	25785245/0	1	Right Dashboard Supp.	
6	12818690/0	4	Screw	
7	12293201/0	4	Nut	
8	382785151/1	1	Rear Dashboard Supp	
9	12735110/0	4	Screw	
10	25785255/0	1	Central Dashboard Supp	
11	12735110/0	2	Screw	
12	12815200/0	4	Screw	
13	12292102/0	4	Nut	
14	25785241/0	1	Support	
15	12815200/0	2	Screw	
16	12292102/0	2	Nut	
17	382785153/1	2	Front Dashboard Supp	
18	12815200/0	2	Screw	
19	12292102/0	2	Nut	
31	325785249/1	2	Seat Support	
32	12815200/0	8	Screw	
33	12292102/0	8	Nut	
34	325785257/1	2	Seat Support	
35	12818690/0	8	Screw	
36	12293201/0	8	Nut	
37	25755039/0	2	Bracket	
38	12792611/0	4	Screw	
39	12293201/0	4	Nut	
40	22524970/2	2	Pin	
41	12155010/0	2	Nut	
42	25755043/0	1	Bracket	
43	25430253/0	1	Spring	
44	12789000/0	2	Screw	
45	12154330/0	2	Nut	
46	125430257/1	2	Spring	
47	12523070/0	2	Washer	
48	12760515/0	2	Screw	
49	22671653/0	2	Washer	
50	12360425/0	2	Nut	
51	25122000/2	2	Hood	
52	382547041/1	1	Plate	
53	12792611/0	6	Screw	
54	12293201/0	6	Nut	
55	25650119/0	2	Plate Stiffening	
56	12792611/0	2	Screw	
57	12293201/0	2	Nut	
58	12818690/0	2	Screw	
59	12293201/0	2	Nut	
60	27430554/0	1	Spring	
61	12735110/0	1	Screw	
83	12792611/0	4	Screw	
84	12293201/0	4	Nut	
88	382510079/0	1	Left Footboard Support	
89	382510077/0	1	Ri_ht Footboard Su , ort	
94	12815200/0	4	Screw	
95	12292102/0	4	Nut	



Body				
POSITION	CODE	Q.TY	DESCRIPTION	NOTES
1	382076952/0	1	Engine Hood Black	
2	325076897/0	1	Plate Black	
3	25485001/0	1	Lights Parabola	
4	25410865/0	1	Grill	
5	125430215/1	2	Coupling Spring	
6	12728450/0	2	Screw	
7	25108028/0	1	Conveyor	
8	12728686/0	3	Screw	
21	25510039/0	2	Pin	
22	12436050/0	2	Plate	
23	325547089/1	1	Right Plate	
24	325547091/1	1	Left Plate	
25	12731580/0	4	Screw	
26	82869031/0	1	Muffler Protection	
28	12734995/0	4	Screw	
31	25599008/0	1	Right Dashboard Supp.	
32	25599009/0	1	Left Dashboard Supp.	
33	12815221/0	4	Screw	
34	12521330/0	4	Washer	
35	12154510/0	4	Nut	
36	25120189/0	1	Dashboard	
37	12728440/0	2	Screw	
38	12735402/0	2	Screw	
39	25260000/0	2	Grommet	
40	25600074/0	1	Card Protection	
41	12735402/0	2	Screw	
42	25547181/0	1	Plate	
91	325110393/0	1	Cover, Black	
93	25580020/0	2	Pivot	
94	325110392/0	1	Wheels Cover, Black	
95	12735402/0	4	Screw	
96	12735402/0	2	Screw	
97	25755041/0	2	Bracket	
98	12728686/0	4	Screw	
99	12735110/0	2	Screw	

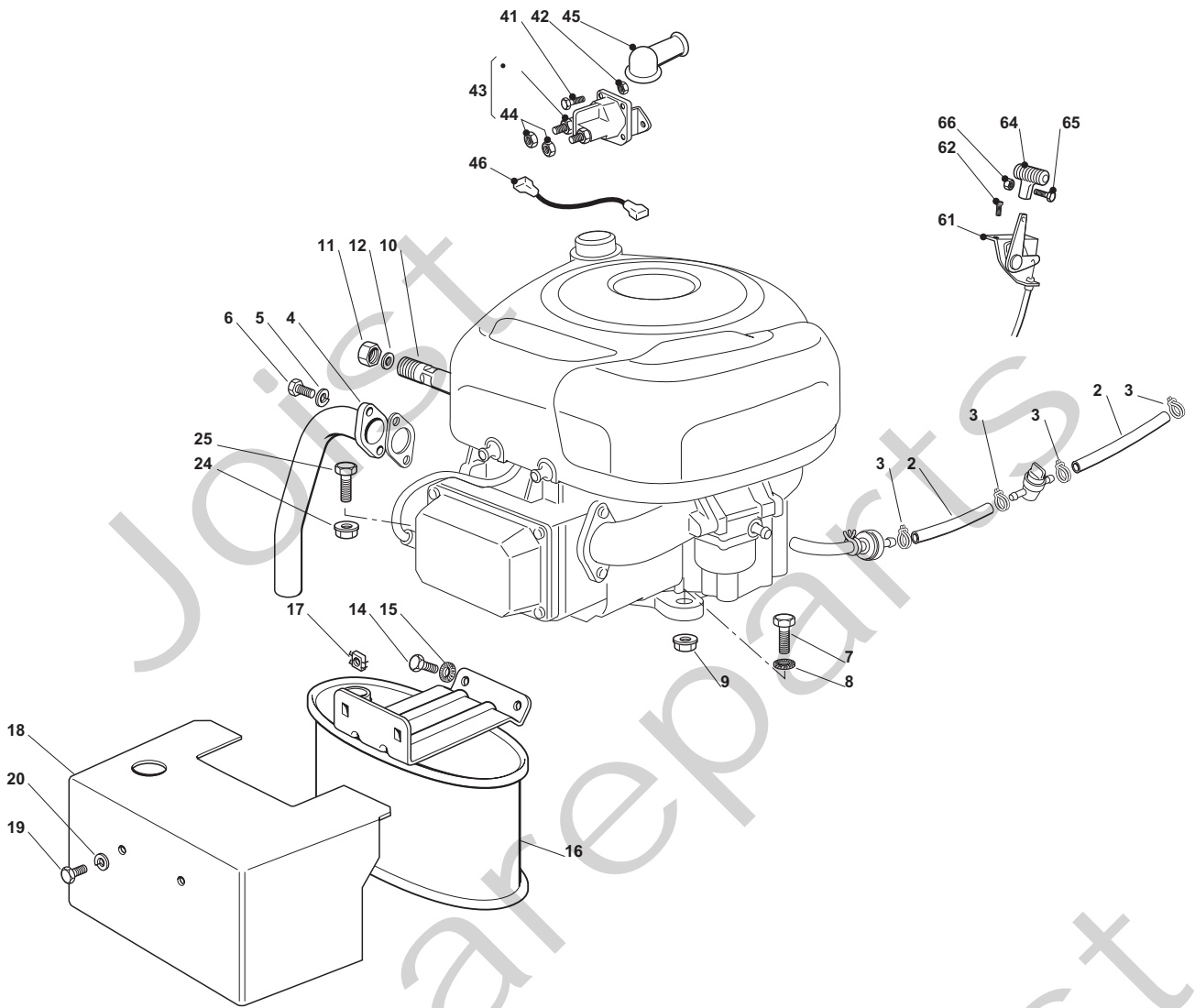


Steering				
POSITION	CODE	Q.TY	DESCRIPTION	NOTES
1	25038004/0	1	Bush	
2	125520006/1	1	Steering Column	
3	27570050/0	1	Pinion	
4	12622650/0	1	Pin	
5	25743000/0	1	Joint	
6	12521370/0	1	Washer	
7	12436030/0	1	Plate	
8	325785213/1	1	Support	
9	12729601/1	2	Screw	
12	12379511/0	1	Grease Dispenser	
13	25040624/0	2	Bush	
16	25510092/0	1	Pin	
17	25670019/0	1	Washer	
18	25735513/0	1	Steering Shaft	
19	12523080/0	1	Washer	
20	12155020/0	1	Nut	
21	25318205/0	1	Lever	
22	12523080/0	1	Washer	
23	12794985/0	1	Screw	
24	25743000/0	1	Joint	
25	325785213/1	1	Support	
26	12791213/1	2	Screw	
27	12521330/0	2	Washer	
28	12154510/0	2	Nut	
29	382000538/1	1	Steering Rod	
30	12523070/0	2	Washer	
31	12155010/0	2	Nut	
41	382034021/1	1	Equalizer With Bush And Lubricator	
42	25040622/0	4	Bush	
43	12379511/0	2	Grease Dispenser	
44	25160016/0	1	Spacer	
45	12692695/0	1	Screw	
46	12523100/0	2	Washer	
47	12587100/0	1	Grower	
48	12295300/0	1	Nut	
49	82230363/0	1	Right Stub Axle	
50	82230365/0	1	Left Stub Axle	
51	12001000/0	2	Snap Ring	
52	25743000/0	1	Joint	
53	325785213/1	1	Support	
54	12791213/1	2	Screw	
55	12521330/0	2	Washer	
56	12154510/0	2	Nut	
57	25840022/0	1	Tie Rod	
58	25510096/0	2	Pin	
59	12295200/0	2	Nut	
60	12156602/0	2	Nut	
61	12000956/0	2	Snap Ring	

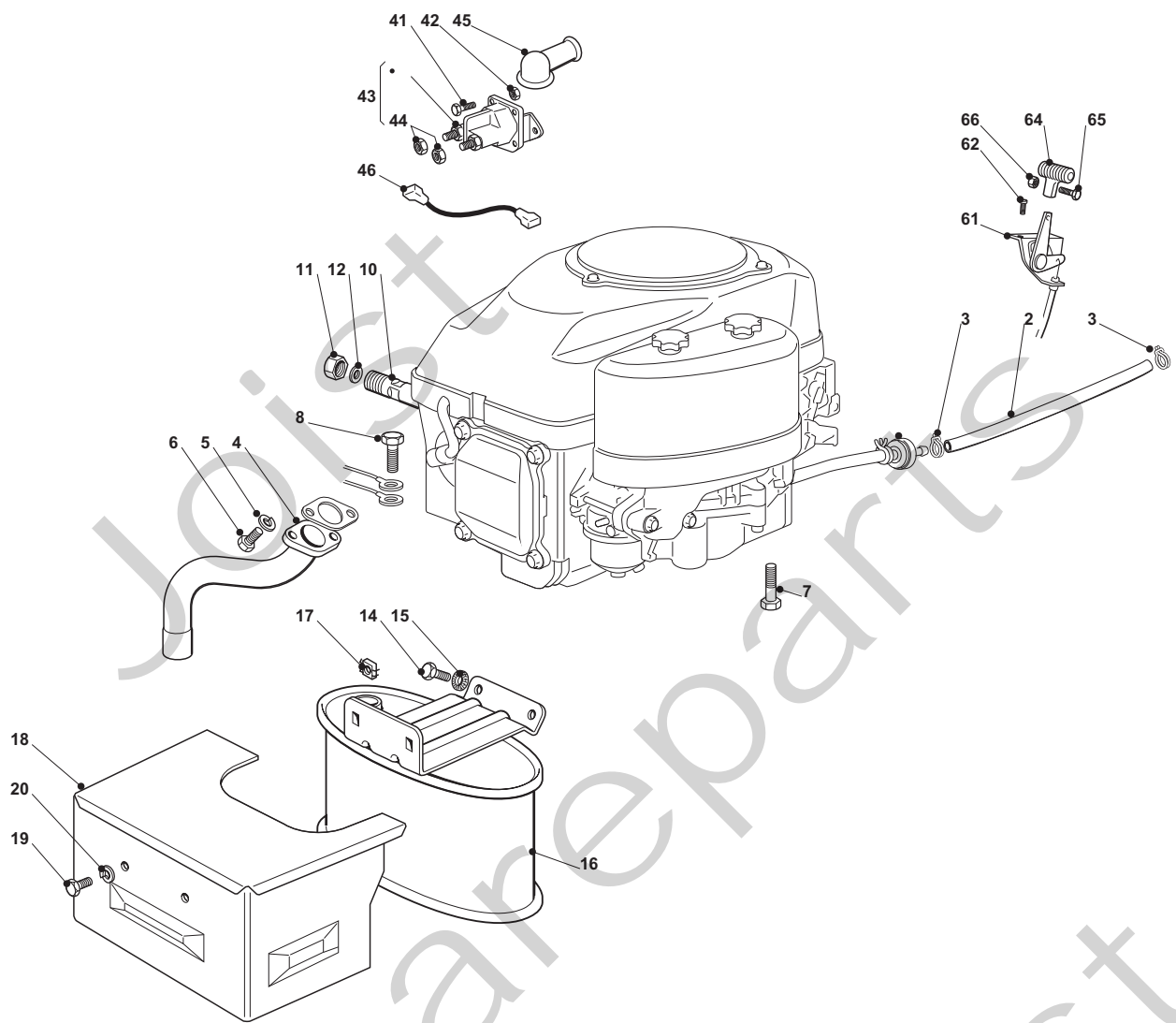




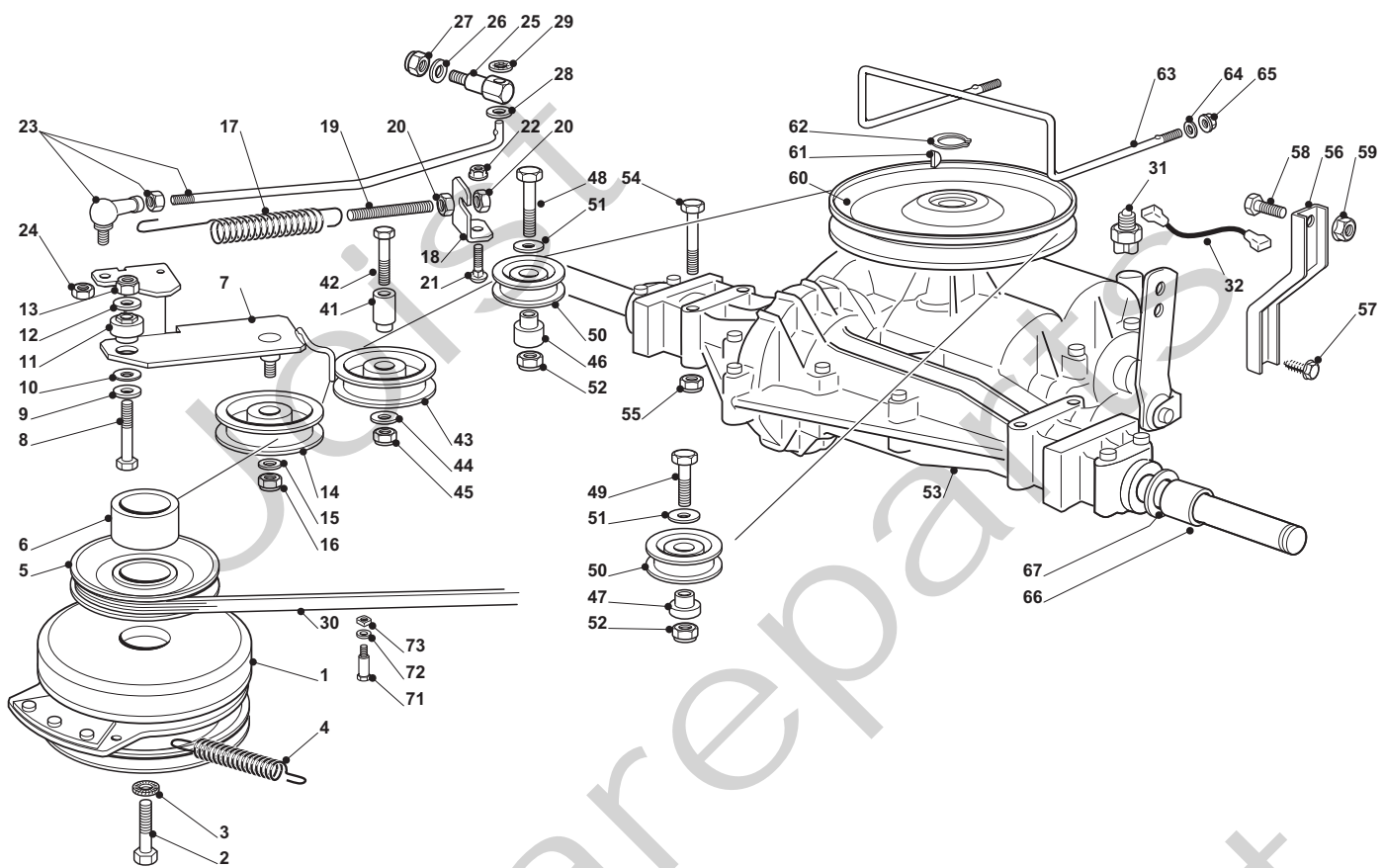
Brake And Gearbox Controls				
POSITION	CODE	Q.TY	DESCRIPTION	NOTES
1	82500027/1	1	Pedal	
2	25110269/0	1	Clamp Cover	
3	27546015/1	2	Plate	
4	12729601/1	4	Screw	
5	382000541/1	1	Rod	
6	12523040/0	1	Washer	
7	12154510/0	1	Nut	
8	12521350/0	1	Washer	
9	12436050/0	1	Plate	
10	25785261/0	1	Support	
11	12815200/0	2	Screw	
12	12292102/0	2	Nut	
13	82000531/0	1	Rod	
14	22524970/2	1	Pin	
15	12155000/0	1	Nut	
16	25430213/0	1	Spring	
17	25207172/0	1	Plate (Mech.)	
31	25510035/0	1	Pin	
32	82774247/0	1	Clamp	
33	22672152/0	1	Washer	
34	12523060/0	1	Washer	
35	12155010/0	2	Nut	
36	82318215/0	1	Gearshift	
37	25394510/0	1	Knob	
38	25430258/0	1	Spring	
39	12692050/0	1	Screw	
40	12155000/0	1	Nut	
41	382000545/0	1	Rod	
43	12155000/0	1	Nut	
44	25318169/0	1	Gearshift	
45	12521340/0	1	Washer	
46	24487997/0	1	Cotter Pin	
47	12735520/0	1	Screw	
48	12540040/0	1	Washer	
49	22680009/0	1	Washer	
50	14361447/0	1	Label	



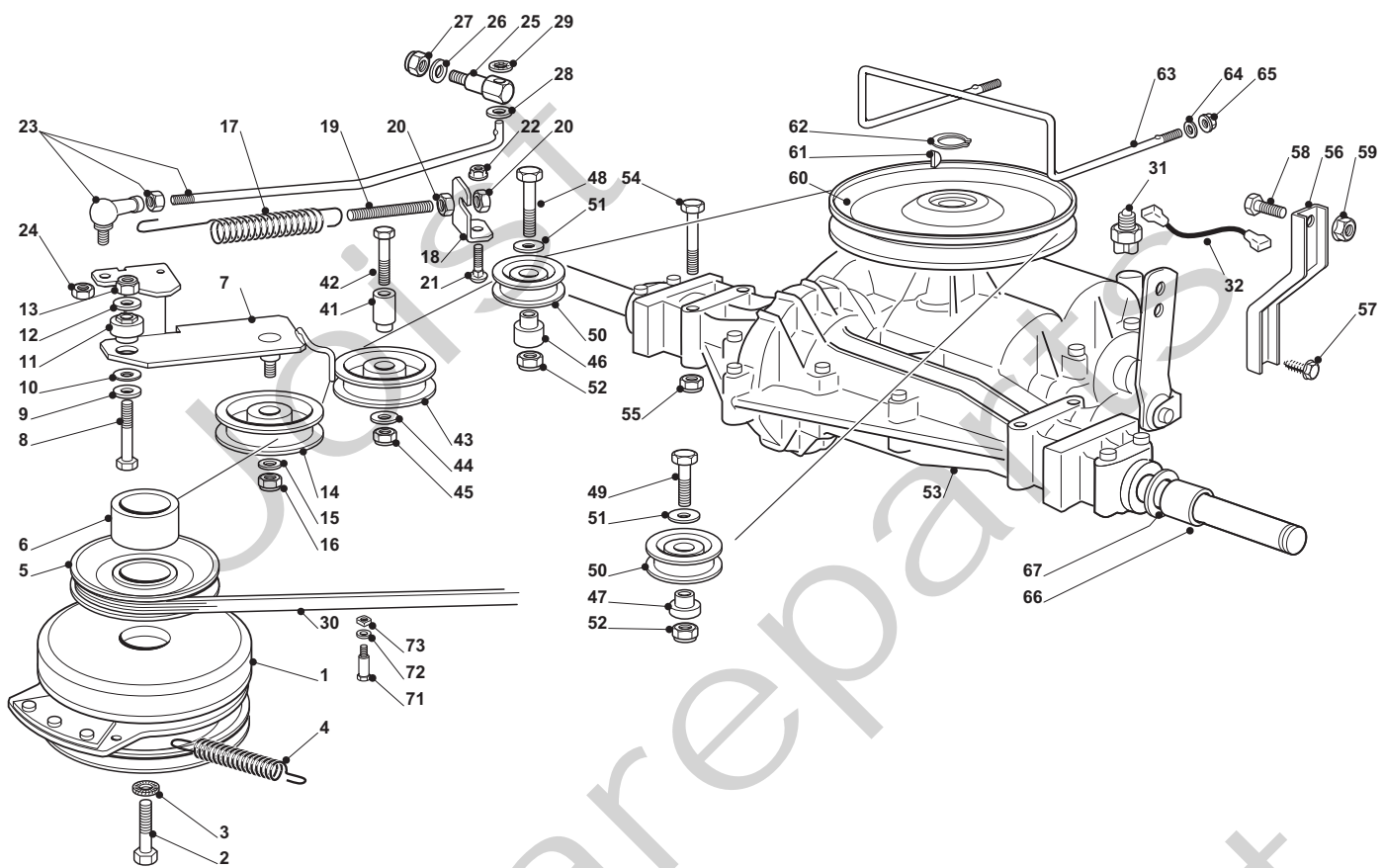
Engine - B&S 11.5 - 12.5 - 13.5 HP				
POSITION	CODE	Q.TY	DESCRIPTION	NOTES
2	25869057/0	1	Connecting Tube (1000 Mm)	
3	18375051/1	4	Fair Led	
4	18738224/0	1	Exhaust Tube	
5	12583500/0	2	Grower	
6	12735530/0	2	Screw	
7	12691115/0	1	Screw	
8	12540260/0	1	Washer	
9	12154210/0	1	Nut	
10	25598050/0	1	Oil Discharge Extension	
11	18737849/0	1	Oil Cap	
12	18401001/1	1	Oil Seal	
14	12793102/0	2	Screw	
15	12540260/0	2	Washer	
16	182750010/0	1	Muffler	
17	12360425/0	2	Nut (Mech.)	
18	82598009/2	1	Guard	
19	12792611/0	2	Screw	
20	12583500/0	2	Grower	
24	12154210/0	3	Nut	
25	12691100/0	3	Screw	
41	12791213/1	2	Screw	
42	12292102/0	2	Nut	
43	18736110/0	1	Starter Relay	
44	12360352/0	2	Nut	
45	18564864/1	1	Protection	
46	25065017/0	1	Cable	
61	82000200/1	1	Accelerator	
62	125943012/0	2	Screw	
64	25394501/0	1	Handle	
65	12726388/0	1	Screw	
66	12290800/0	1	Nut	



Engine - GGP				
POSITION	CODE	Q.TY	DESCRIPTION	NOTES
2	25869057/0	1	Connecting Tube (1000 Mm)	
3	18375051/1	4	Fair Led	
4	118738231/1	1	Exhaust Tube	
5	12583500/0	2	Grower	
6	12737450/0	2	Screw	
7	112735108/1	4	Screw	
8	12735599/0	1	Screw	
10	27598060/0	1	Oil Discharge Extension	
11	18737849/0	1	Oil Cap	
12	18401001/1	1	Oil Seal	
14	12793102/0	2	Screw	
15	12540260/0	2	Washer	
16	182750010/0	1	Muffler	
17	12360425/0	2	Nut (Mech.)	
18	382598039/0	1	Guard	
19	12792611/0	2	Screw	
20	12583500/0	2	Grower	
41	12791213/1	2	Screw	
42	12292102/0	2	Nut	
43	18736110/0	1	Starter Relay	
44	12360352/0	2	Nut	
45	18564864/1	1	Protection	
46	25065017/0	1	Cable	
61	182000212/0	1	Accelerator	
62	125943012/0	2	Screw	
64	25394501/0	1	Handle	
65	12726388/0	1	Screw	
66	12290800/0	1	Nut	



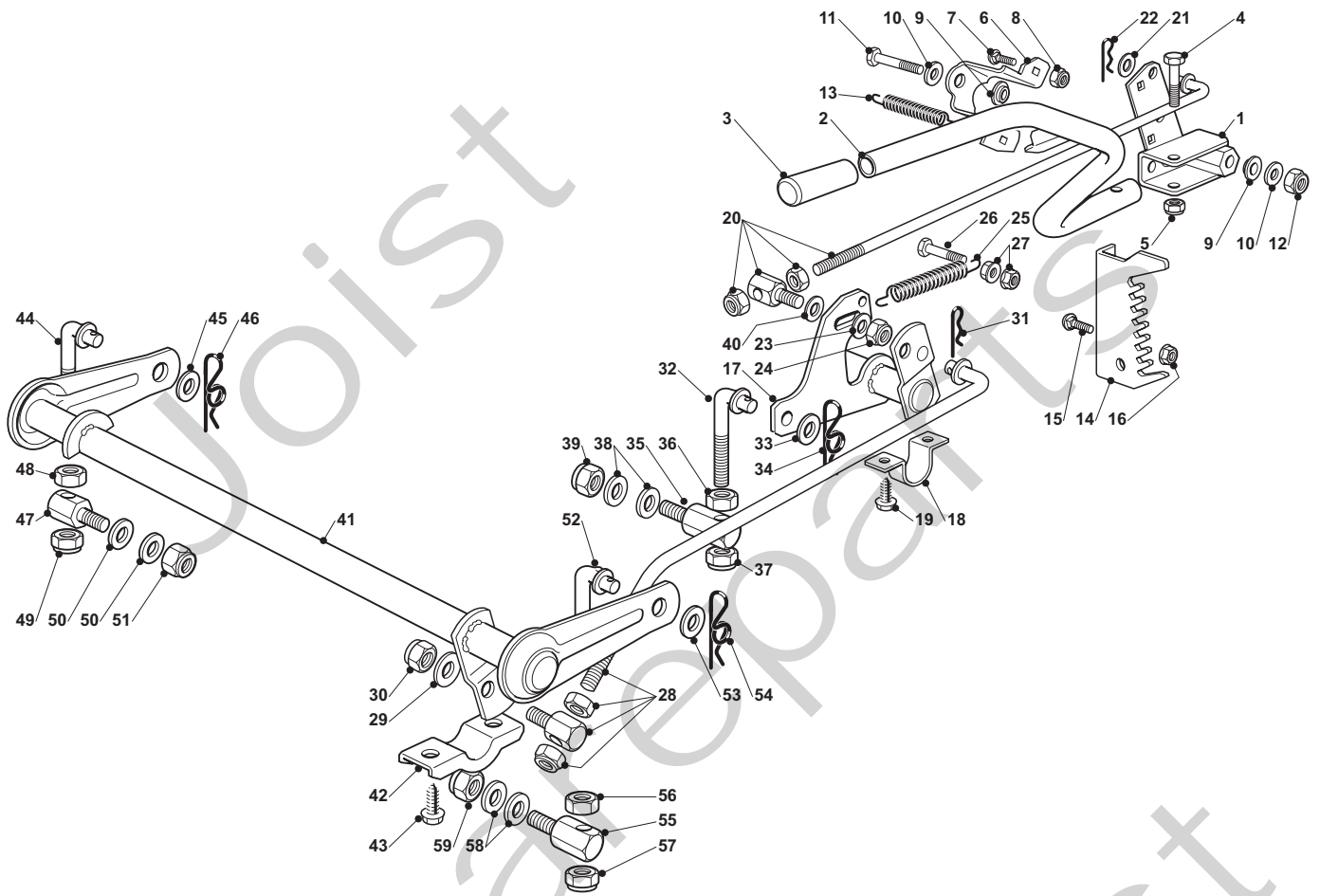
Transmission				
POSITION	CODE	Q.TY	DESCRIPTION	NOTES
1	118399063/0	1	Clutc	
2	12737320/0	1	Screw	
3	12543000/0	1	Washer	
4	122430216/1	1	Spring	
5	25601567/0	1	Pulley	
6	25160021/0	1	Spacer	
7	82318217/0	1	Lever	
8	12691115/0	1	Screw	
9	12523060/0	1	Washer	
10	27670055/0	1	Washer	
11	25510087/0	1	Pin	
12	12523060/0	1	Washer	
13	12155000/0	1	Nut	
14	25601554/0	1	Pulley	
15	12523060/0	1	Washer	
16	12155000/0	1	Nut	
17	25430260/0	1	Spring	
18	25755049/0	1	Bracket	
19	25840005/0	1	Tie Rod	
20	12293200/0	2	Nut	
21	12818690/0	1	Screw	
22	12293201/0	1	Nut	
23	82820013/0	1	Tie Rod Ass.Y	
24	12155000/0	1	Nut	
25	25510063/0	1	Pin	
26	25670011/0	2	Washer	
27	12155000/0	1	Nut	
28	12521350/0	1	Washer	
29	12604899/0	1	Crown Fastener	
30	35062012/0	1	Belt	
31	19410610/0	1	Gearbox Switch	
32	25065026/0	1	Cable	
41	125510100/0	1	Pin	
42	12691800/0	1	Screw	
43	25601555/0	1	Pulley	
44	12523060/0	1	Washer	
45	12155000/0	1	Nut	
46	125160014/1	1	Right Spacer	
47	125160018/1	1	Left Spacer	
48	12691200/0	1	Screw	
49	12691100/0	1	Screw	
50	125601588/0	2	Pulley	
51	22671653/0	2	Washer	
52	12155000/0	2	Nut	
53	18400912/0	1	Rear Axle	Dana 4360-211
54	12691900/0	4	Screw	
55	12154210/0	4	Nut	
56	25774247/0	2	Clamp	
57	12735150/0	2	Screw	
58	12792611/0	2	Screw	
59	12293201/0	2	Nut	
60	82601509/0	1	Pulley	
61	12139430/0	1	Key	
62	12608950/0	1	Snap Ring	
63	25270321/0	1	Belt Guide	
64	12523040/0	2	Washer	
65	12292102/0	2	Nut	
66	25160034/0	2	Spacer	
67	12521410/0	2-4	Washer	



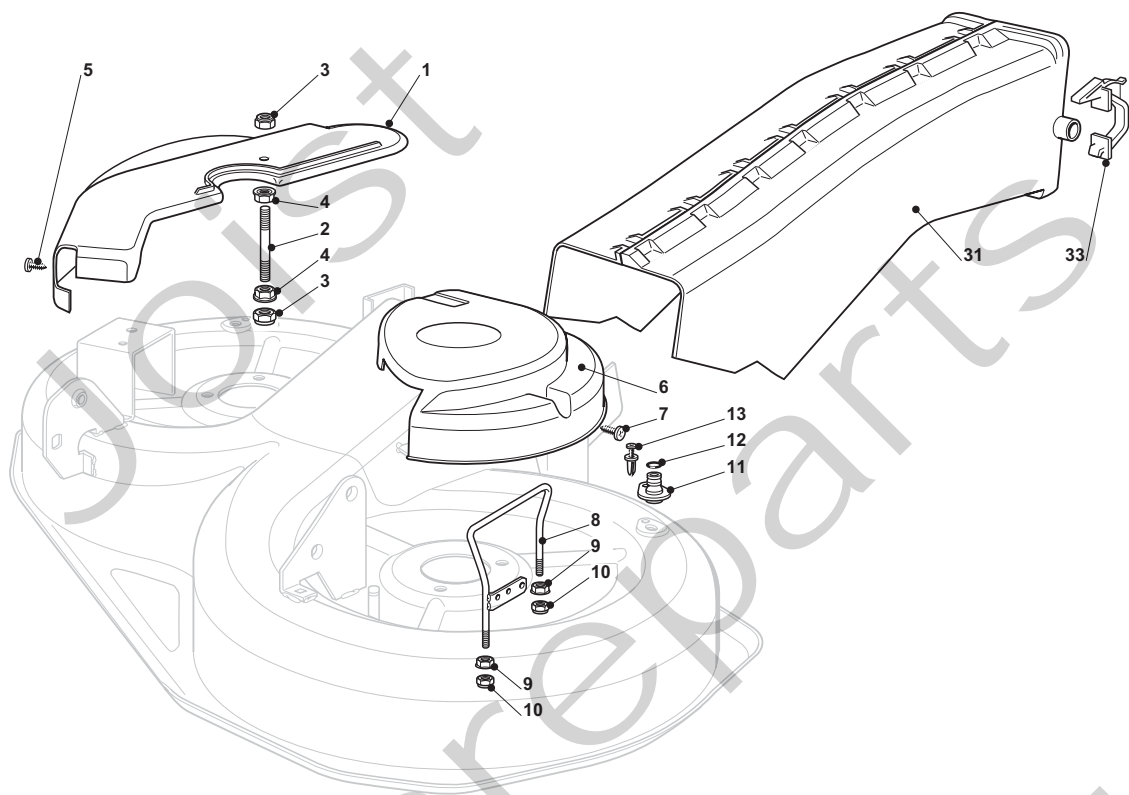


Transmission				
POSITION	CODE	Q.TY	DESCRIPTION	NOTES
71	25580030/0	2	Belt Guide (Mech.)	
72	12523060/0	2	Washer	
73	12360425/0	2	Nut (Mech.)	

Joist  
Spareparts  
Joist

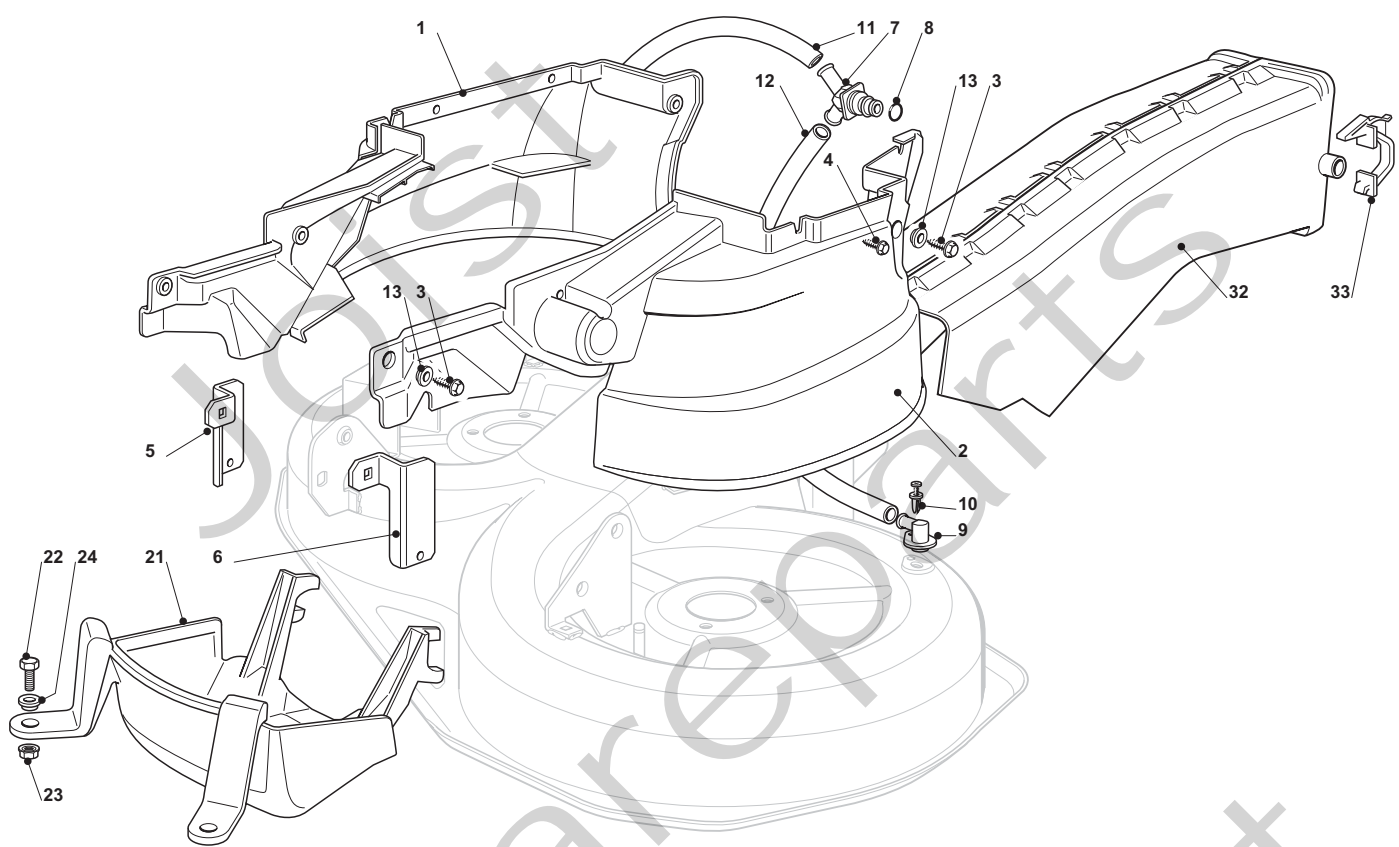


Cutting Plate Lifting				
POSITION	CODE	Q.TY	DESCRIPTION	NOTES
1	82774249/0	1	Clamp	
2	382318219/1	1	Lever	
3	25394508/0	1	Handle	
4	12674700/0	1	Screw	
5	12154510/0	1	Nut	
6	25650113/0	1	Plate	
7	12818690/0	2	Screw	
8	12155000/0	2	Nut	
9	22041980/0	2	Bush	
10	12523060/0	2	Washer	
11	12691600/0	1	Screw	
12	12155000/0	1	Nut	
13	25430259/0	1	S. rin_	
14	25735511/0	1	Sector	
15	12818690/0	2	Screw	
16	12293201/0	2	Nut	
17	82000387/0	1	Axle	
18	325547041/1	2	Plate	
19	12731580/0	4	Screw	
20	382000618/0	1	Rod	
21	25670011/0	1	Washer	
22	24487998/0	1	Cotter Pin	
23	12523040/0	1	Washer	
24	12154210/0	1	Nut	
25	22446402/0	1	Spring	
26	12792410/0	1	Screw	
27	12292102/0	2	Nut	
28	82000537/0	1	Connecting Rod	
29	25670008/1	2	Washer	
30	12156602/0	1	Nut	
31	24487998/0	1	Cotter Pin	
32	25840025/0	1	Tie Rod	
33	25670008/1	1	Washer	
34	24487998/0	1	Cotter Pin	
35	25510090/0	1	Pin	
36	12295200/0	1	Nut	
37	12156602/0	1	Nut	
38	25670008/1	2	Washer	
39	12156602/0	1	Nut	
40	12521360/0	2	Washer	
41	82000385/0	1	Axle	
42	27546015/1	2	Plate	
43	12731350/0	4	Screw	
44	25840024/0	1	Tie Rod	
45	25670008/1	1	Washer	
46	24487998/0	1	Cotter Pin	
47	25510098/0	1	Pin	
48	12295200/0	1	Nut	
49	12156602/0	1	Nut	
50	25670008/1	2	Washer	
51	12156602/0	1	Nut	
52	25840025/0	1	Tie Rod	
53	25670008/1	1	Washer	
54	24487998/0	1	Cotter Pin	
55	25510090/0	1	Pin	
56	12295200/0	1	Nut	
57	12156602/0	1	Nut	
58	25670008/1	2	Washer	
59	12156602/0	1	Nut	

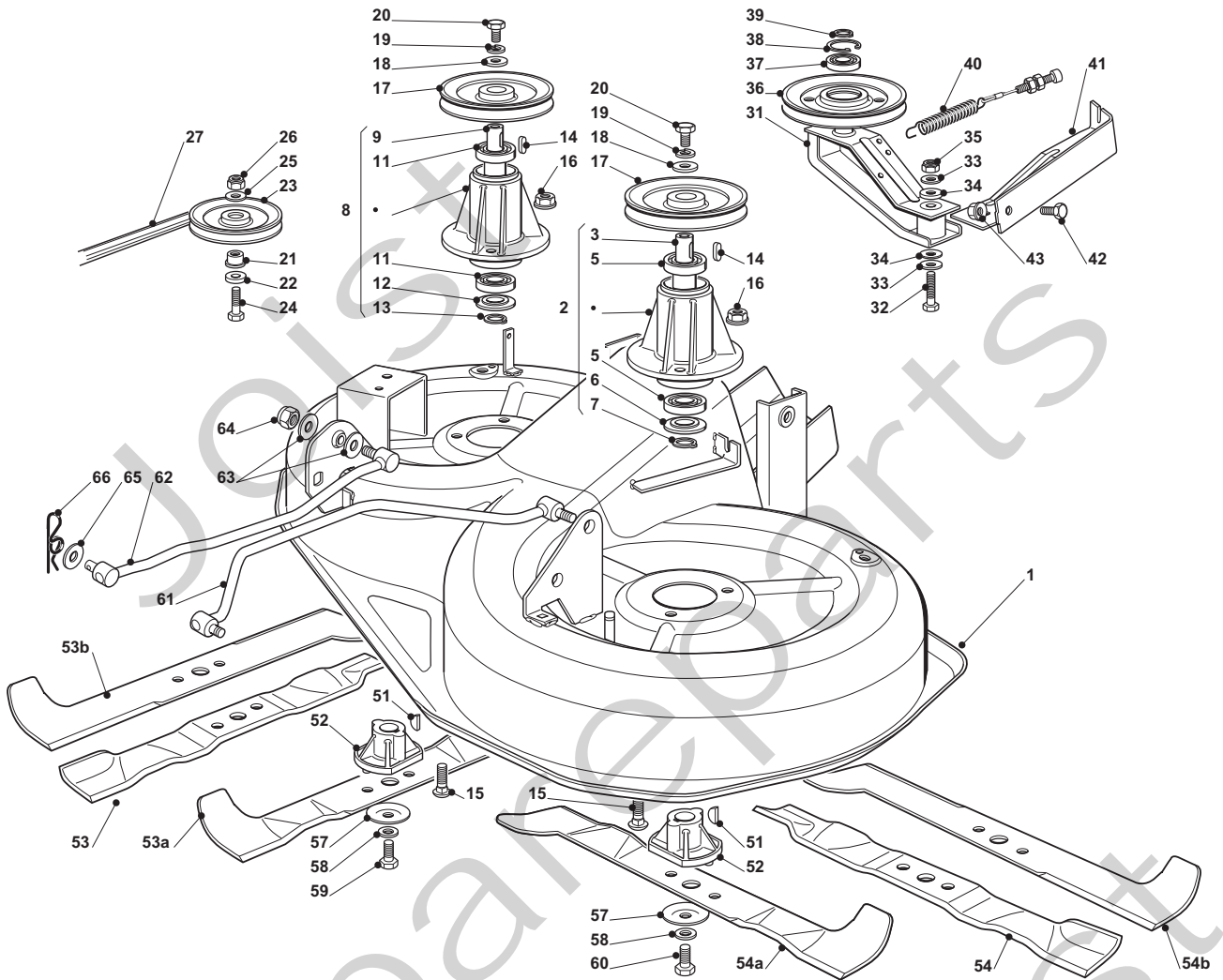


Guards And Conveyor				
POSITION	CODE	Q.TY	DESCRIPTION	NOTES
1	25060111/0	1	Case,Grey	
1	25060102/0	1	Case,Black	
2	25580007/0	1	Stud Screw	
3	12155000/0	2	Nut	
4	12293201/0	2	Nut	
5	12735110/0	2	Screw	
6	25060112/0	1	Case,Grey	
6	25060103/0	1	Case,Black	
7	12735110/0	2	Screw	
8	82270301/0	1	Belt Guide	
9	12293201/0	2	Nut	
10	12155000/0	2	Nut	
11	25033060/0	2	Water Hose Connection	
12	19035000/0	2	O Ring	
13	12500030/0	2	Rivet	
31	382108008/0	1	Conveyor	
33	25774373/0	2	Clamp	

Joist  
Spareparts  
Joist

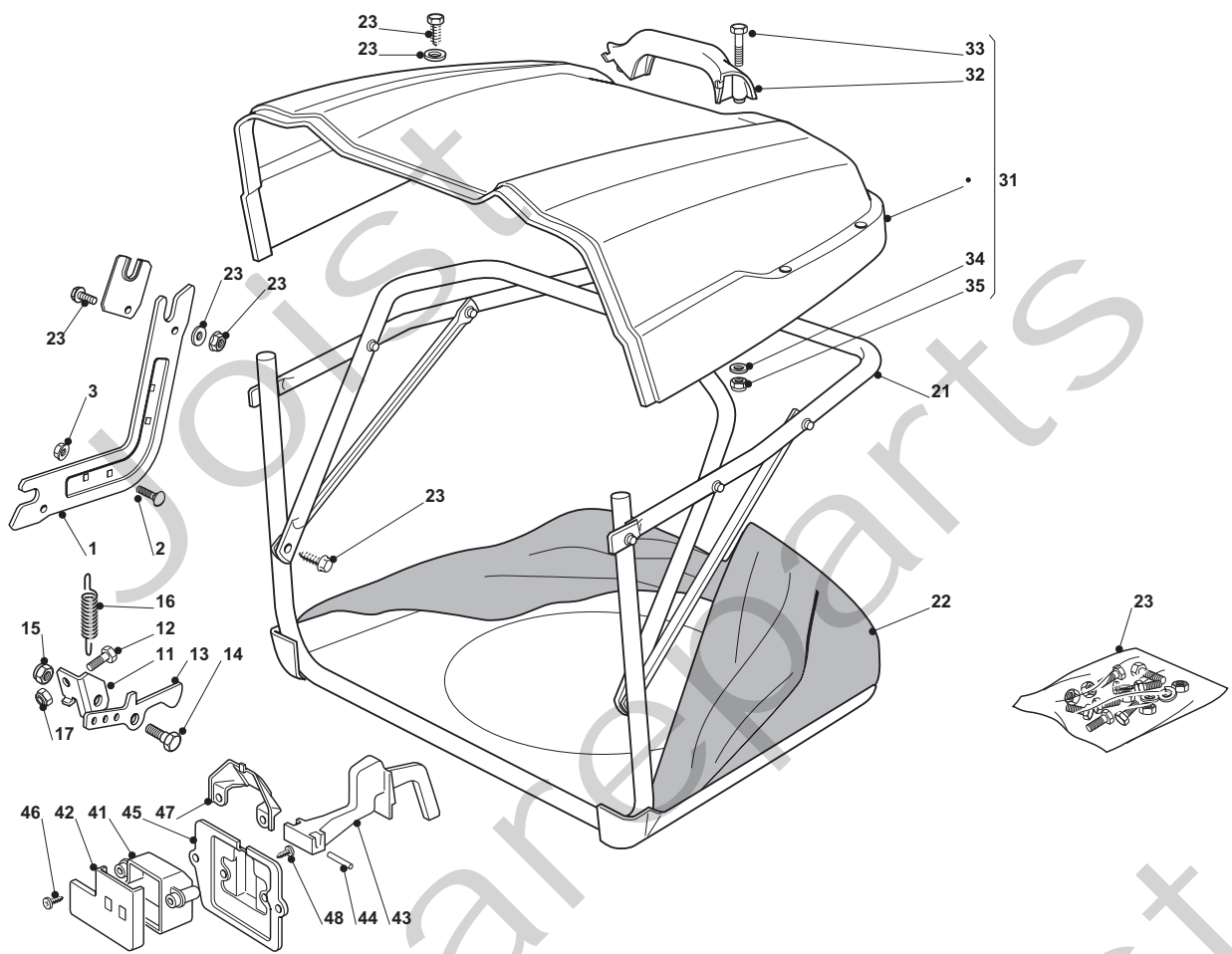


Guards And Conveyor				
POSITION	CODE	Q.TY	DESCRIPTION	NOTES
1	25060121/0	1	Case	
2	25060122/0	1	Case	
3	12735122/0	6	Screw	
4	12728535/0	4	Screw	
5	25774381/0	1	Bracket	
6	25774383/0	1	Bracket	
7	25033066/0	1	Water Hose Connection	
8	19035000/0	1	O Ring	
9	25033065/0	2	Water Hose Connection	
10	12500030/0	2	Rivet	
11	25869069/0	1	Connecting Tube	
12	25869068/0	1	Connecting Tube	
13	325160039/0	6	Spacer	
21	25060127/0	1	Case	
22	12791400/0	2	Screw	
23	12154510/0	2	Nut	
24	325160039/0	2	Spacer	
32	382108008/0	1	Conveyor	
33	25774373/0	2	Clamp	

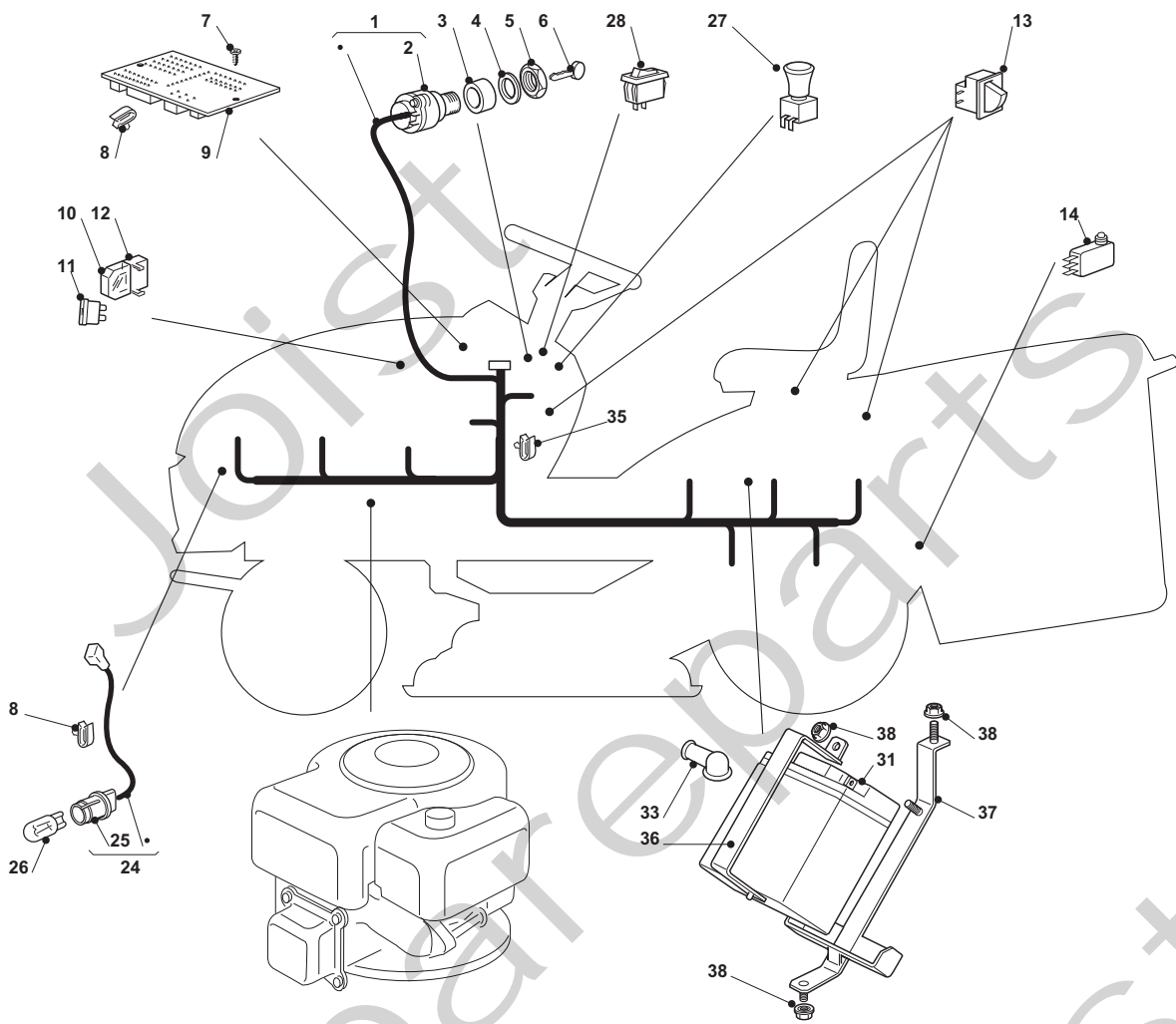




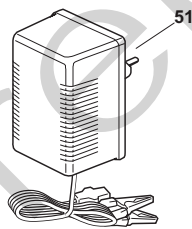
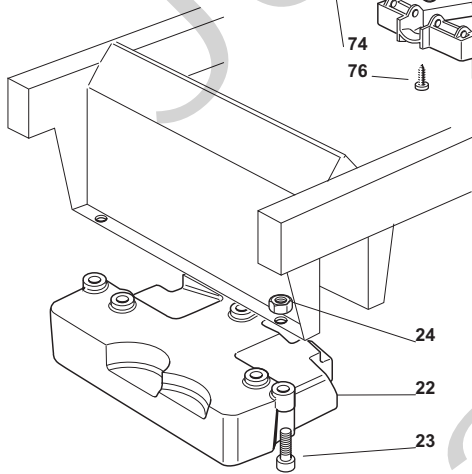
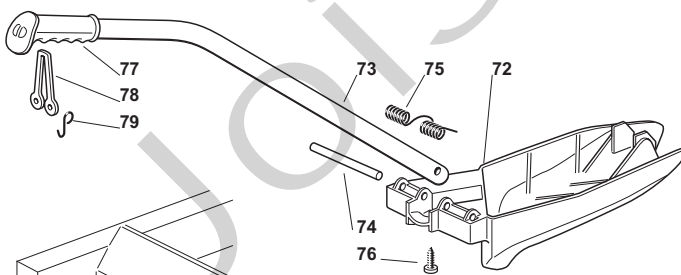
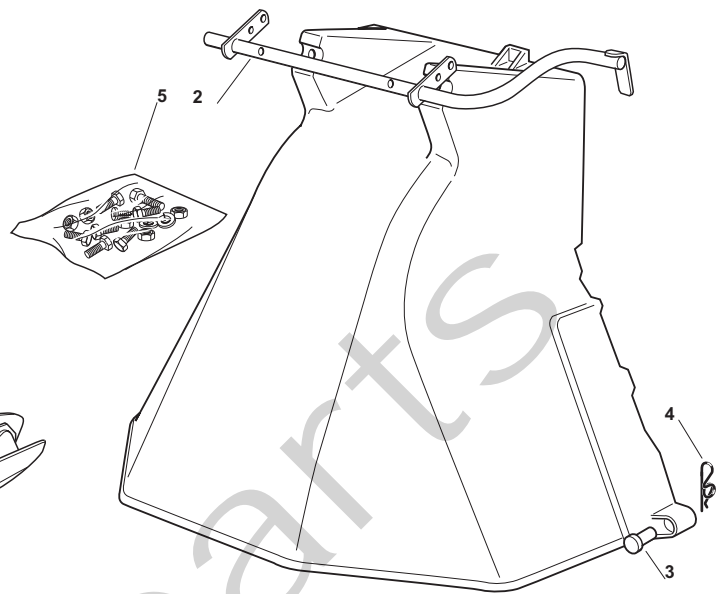
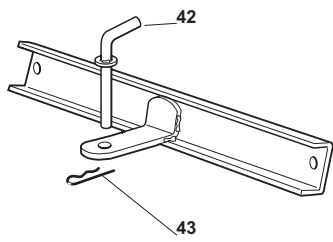
Cutting Plate				
POSITION	CODE	Q.TY	DESCRIPTION	NOTES
1	82564075/0	1	Plate, Black	
1	382564091/0	1	Plate, Red	
1	382564112/0	1	Plate, Yellow	
2	82207202/0	1	Left Flange Ass.Y (6÷10)	
3	25020802/0	1	Shaft	
5	119216047/0	2	Bearing	
6	25160501/0	1	Dust Cover	
7	12609260/0	1	Seeger	
8	82207203/0	1	Right Flange Ass.Y (12÷16)	
9	25020803/0	1	Shaft	
11	119216047/0	2	Bearing	
12	25160501/0	1	Dust Cover	
13	12609260/0	1	Seeger	
14	12139480/0	2	Key	
15	12818700/0	6	Screw	
16	12154210/0	6	Nut	
17	25601563/0	2	Pulley	
18	25670007/0	2	Washer	
19	12583500/0	2	Grower	
20	12793102/0	2	Screw	
21	25160007/0	1	Spacer	
22	25670007/0	1	Washer	
23	25601555/0	1	Pulley	
24	12691115/0	1	Screw	
25	12523060/0	1	Washer	
26	12155000/0	1	Nut	
27	35065701/0	1	Belt	
31	82318141/2	1	Lever	
32	12691700/0	1	Screw	
33	12523070/0	2	Washer	
34	22672152/0	2	Washer	
35	12155000/0	1	Nut	
36	25601564/0	1	Pulley	
37	119216048/0	1	Bearing	
38	12610800/0	1	Snap Ring	
39	12609200/0	1	Seeger	
40	82004618/0	1	Wire	
41	382774215/3	1	Clamp	
42	12792611/0	1	Screw	
43	12293201/0	1	Nut	
51	12139100/0	2	Feather	
52	25463200/0	2	Blade Hub	
53	82004352/0	1	Right Blade Mulching	
53a	82004354/0	1	Right Blade Mulching, Winged	
53b	82004345/1	1	Right Blade, Winged	
54	81004346/3	1	Left Blade Mulching	
54a	82004353/0	1	Left Blade Mulching, Winged	
54b	82004344/1	1	Left Blade, Winged	
57	22160400/0	2	Elastic Washer	
58	12523080/0	2	Washer	
59	12735695/1	1	Screw	
60	12735694/0	1	Screw	
61	82000535/0	1	Equalizer Rod	
62	82000533/0	1	Equalizer Rod	
63	25670008/1	4	Washer	
64	12156602/0	2	Nut	
65	25670008/1	2	Washer	
66	24487998/0	2	Cotter Pin	



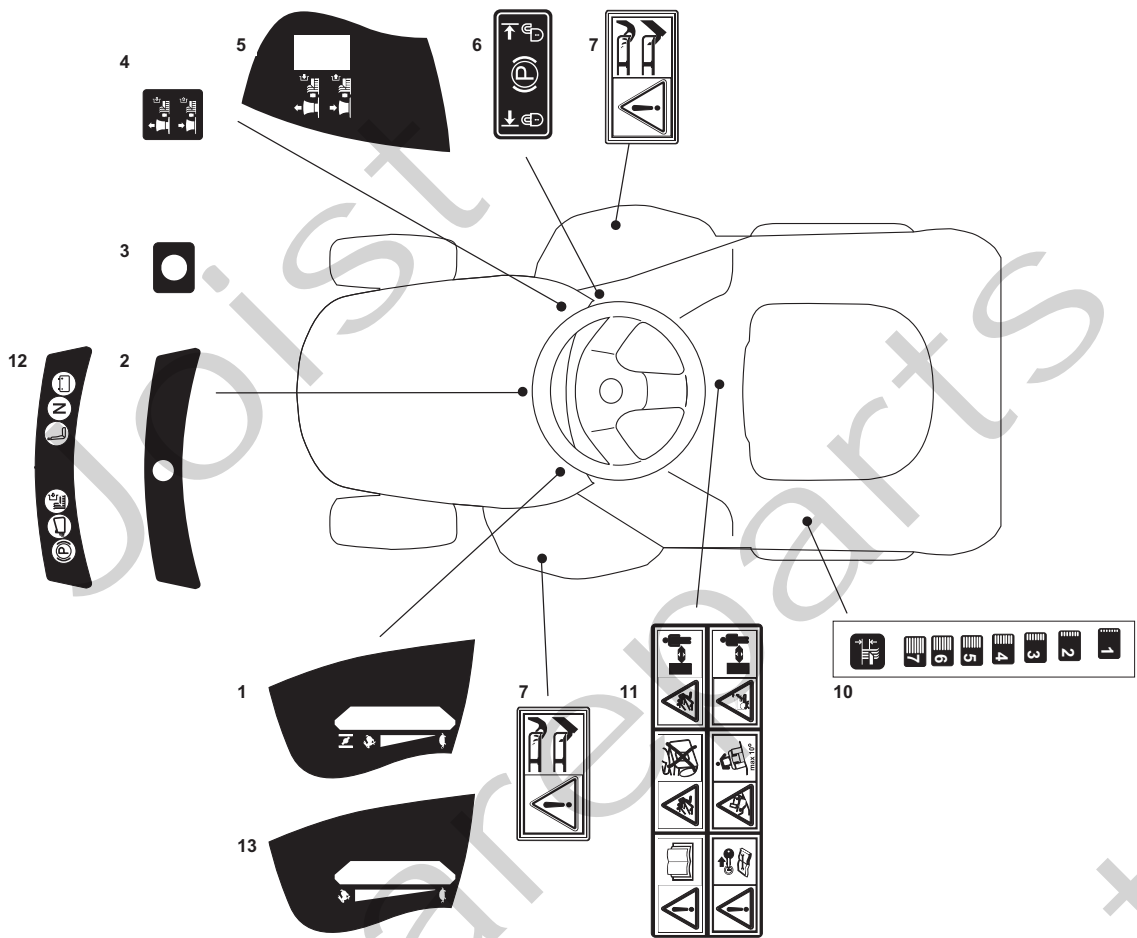
Grasscatcher				
POSITION	CODE	Q.TY	DESCRIPTION	NOTES
1	325785275/0	2	Support	
2	12293201/0	4	Nut	
3	12818690/0	4	Screw	
11	325755031/1	1	Bracket	
12	12789000/0	1	Screw	
13	325774315/1	1	Bracket	
14	125510080/1	1	Pin	
15	12292102/0	1	Nut	
16	22450432/0	1	Spring	
17	12154330/0	1	Nut	
21	82800110/0	1	Front Frame	
22	82105974/0	1	Grasscatcher	
23	382180120/0	1	Screws Outfit	
31	382110273/1	1	Grass-Catcher Cover, Black	
32	27394000/0	1	Handle	
33	12789020/0	2	Screw	
34	12523020/0	2	Washer	
35	12154330/0	2	Nut	
41	25600041/0	1	Micro Protection	
42	25600042/0	1	Protection Cover	
43	25318124/0	1	Lever	
44	12400030/0	1	Pin	
45	25785272/0	1	Micro Protection	
46	12728510/0	1	Screw	
47	25600048/0	1	Deflector Cover	
48	12735110/0	2	Screw	



Electrical Parts				
POSITION	CODE	Q.TY	DESCRIPTION	NOTES
1	182040153/0	1	Cables Ass.Y (B&S - GGP)	
1	182040154/0	1	Cables Ass.Y (Honda)	
2	18450072/0	1	Starting Switch	
3	18550136/0	1	Spacer	
4	18550135/0	1	Washer	
5	18400862/0	1	Ringnut	
6	18210022/0	1	Starting Key	
7	12727810/0	3	Screw	
8	33320506/0	2	Fairlead	
9	125722430/1	1	Electronic Card (1 Led)	
9	125722431/0	1	Electronic Card (6 Led)	
10	33215000/0	2	Cover	
11	33340040/0	1	Fuse 10A	
11	33340036/0	1	Fuse 25 A	
12	33500007/0	2	Fuse Carrier	
13	119410615/0	3	Microswitch	
14	19410605/1	1	Full Grasscatc. Micro	
24	82040073/0	1	Cable	
25	33500030/0	2	Lamp Holder	
26	18459100/0	2	Farilamp For Lights	
27	18450068/0	1	Clutch Switch	
28	18450060/1	1	Farilamp Switch	
31	18120002/1	1	Battery	
33	18564861/1	1	Protection	
35	33320506/0	9	Fairlead	
36	27772099/1	1	Clamp	
37	382785191/0	1	Battery Support	
38	12155000/0	3	Nut	



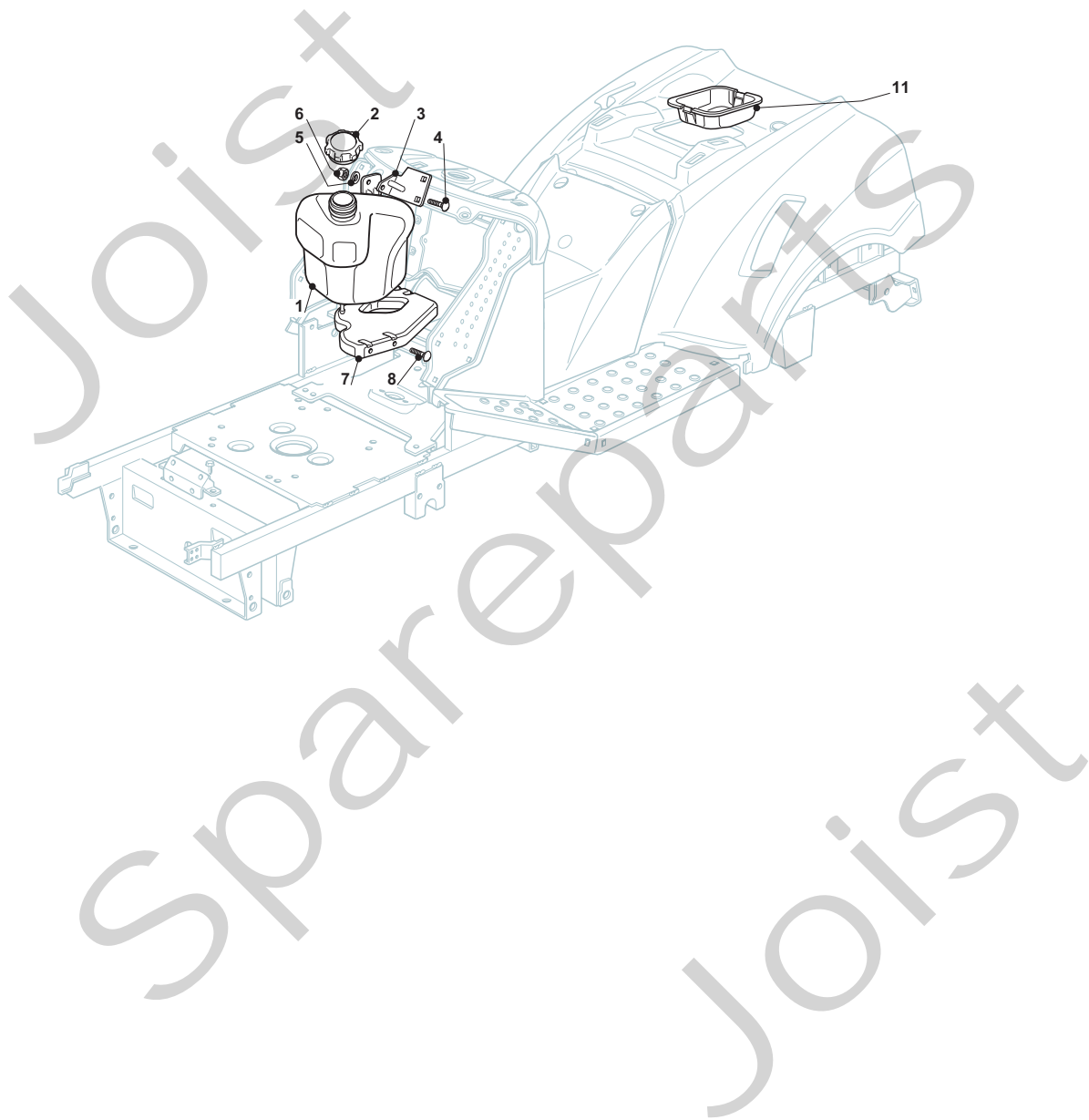
Optionals On Request				
POSITION	CODE	Q.TY	DESCRIPTION	NOTES
3	25510022/0	2	Pin	
4	24487998/0	2	Cotter Pin	
5	82180062/0	1	Screws Outfit	
22	25519997/1	1	Weight	
23	12760520/0	3	Screw	
24	12155000/0	3	Nut	
42	25510021/1	1	Pin	
43	24487999/0	1	Cotter Pin	
51	182180090/0	1	Battery Charger	EU plug
51	182180091/0	1	Battery Charger (U.K.)	UK plug
72	25140093/0	1	Deflector	
73	25394007/0	1	Handle	
74	25510077/0	1	Pin	
75	25430245/0	1	Spring	
76	12735410/0	1	Screw	
77	25280000/1	1	Handgrip	
78	25840011/1	1	Elastic Tie-Rod	
79	25253004/0	2	Hook	





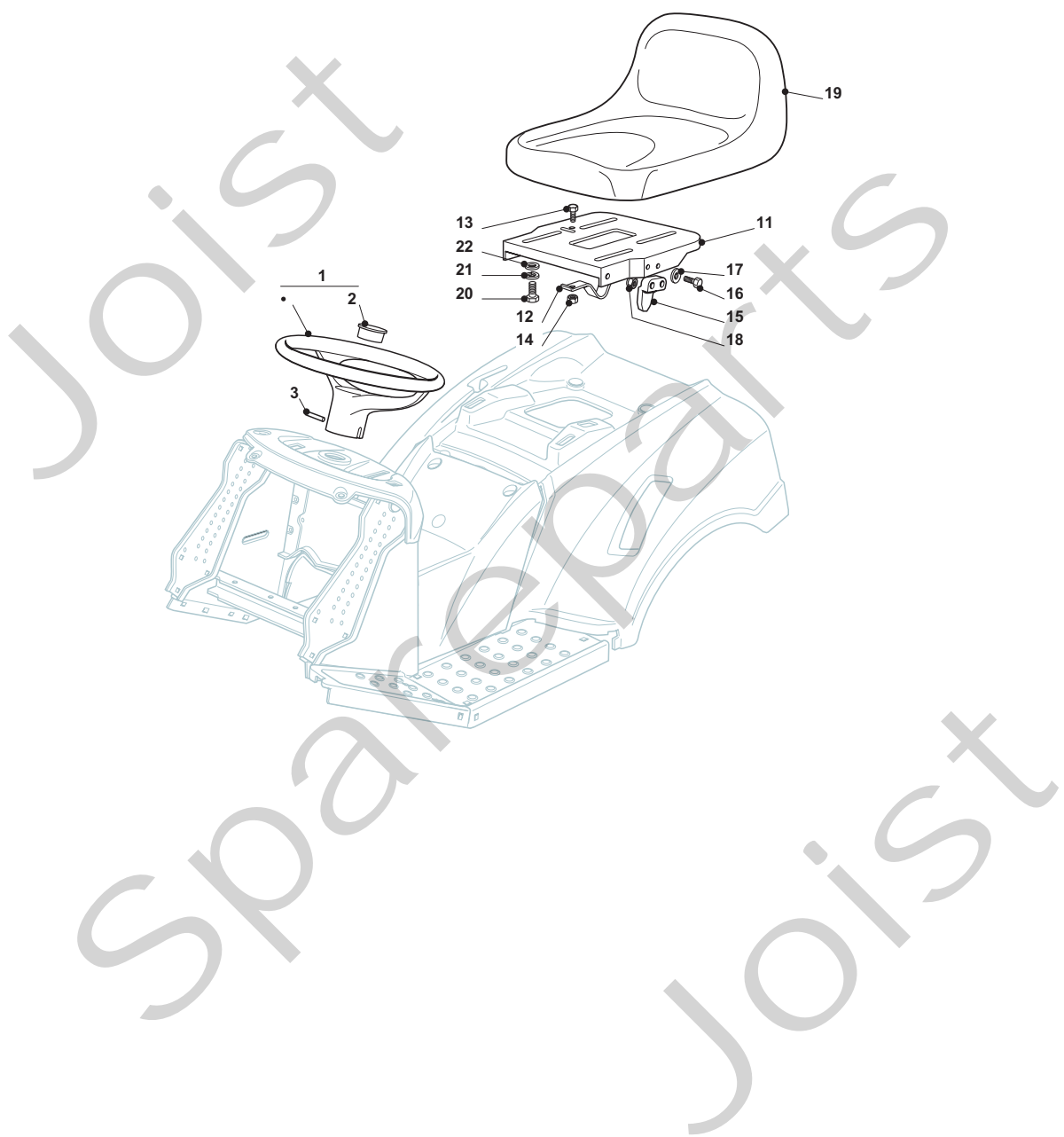
Labels				
POSITION	CODE	Q.TY	DESCRIPTION	NOTES
1	14361440/0	1	Label	
2	25420019/0	1	Label	for 1 led dashboard version
3	25420018/0	1	Label	
4	14361438/0	1	Label	
5	14361439/0	1	Label	
6	14361452/0	1	Label	
7	114356699/1	2	Label	
10	14361441/0	1	Label	
11	14361553/0	1	Label	
12	125420020/0	1	Label	for 6 led dashboard version
13	114364616/0	1	Label	use only for model with Honda GXV 390 engine

Joist  
Spareparts  
Joist



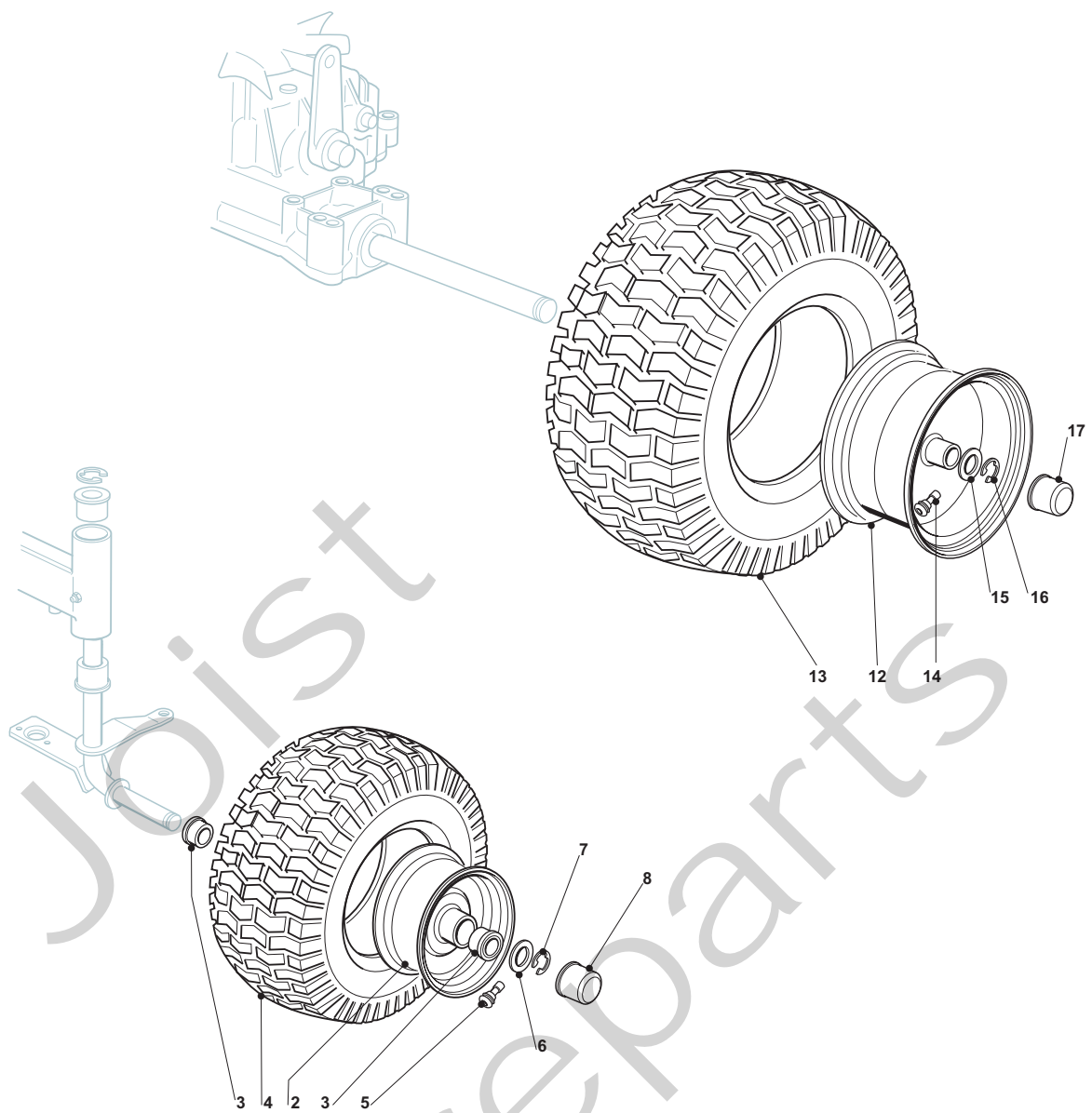
Tank				
POSITION	CODE	Q.TY	DESCRIPTION	NOTES
1	325735124/0	1	Tank	
2	25795001/1	1	Cap	
3	325785291/0	1	Support	
4	12789195/0	1	Screw	
5	12581500/0	1	Grower	
6	12437503/0	1	Plate	
7	325785289/0	1	Support	
8	12735403/0	4	Screw	
11	325207176/0	1	Basin	

Joist  
Spareparts  
Joist



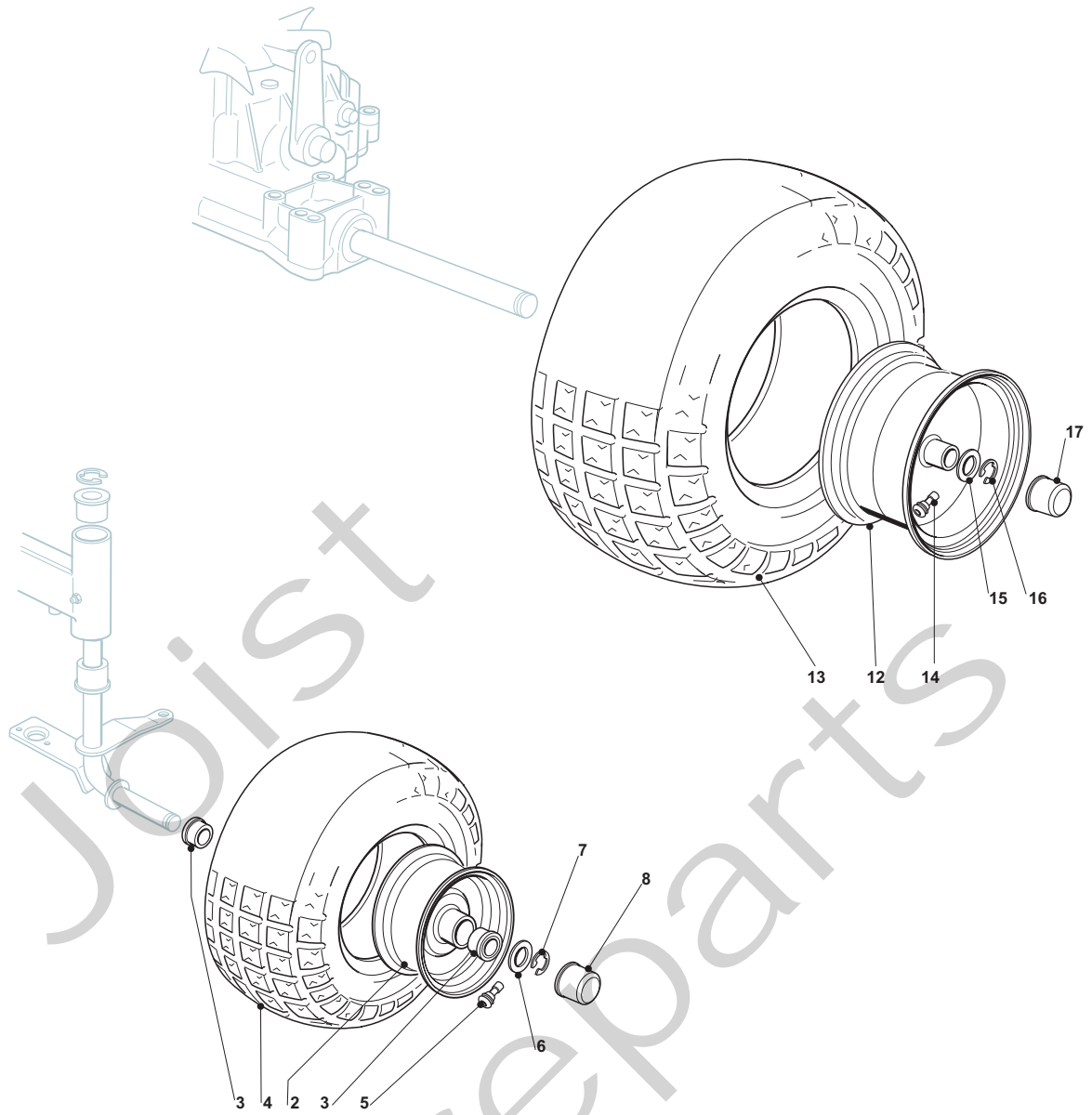
Seat & Steering Wheel				
POSITION	CODE	Q.TY	DESCRIPTION	NOTES
1	25961201/0	1	Steering Wheel	
2	25120230/0	1	Cap	
3	12620299/0	1	Pin	
11	25547033/1	1	Plate	
12	25430223/2	1	Spring	
13	12789000/0	1	Screw	
14	12154330/0	1	Nut	
15	27063021/1	1	Cam	
16	12789100/0	2	Screw	
17	12523020/0	2	Washer	
18	12154330/0	2	Nut	
19	125722470/0	1	Seat	
20	12793101/0	4	Screw	
21	12583500/0	4	Grower	
22	12523060/0	4	Washer	

Joist  
Spareparts  
Joist



Wheels				
POSITION	CODE	Q.TY	DESCRIPTION	NOTES
2	182000598/0	2	Rimm	
3	25122200/2	4	Bearing	
4	125590014/0	2	Tyre 13 "	
4	127590066/0	2	Tyre 15"	
5	25950000/0	2	Valve	
6	25670005/1	2	Washer	
7	12001000/0	2	Snap Ring	
8	22110230/0	2	Hub Cover	
12	182000599/0	2	Rimm	
13	125590015/0	2	Shoe	
14	25950000/0	2	Valve	
15	25670005/1	2	Washer	
16	12001010/0	2	Sna_ Rin_	
17	22110230/0	2	Hub Cover	

Joist  
Spareparts  
Joist





Wheels				
POSITION	CODE	Q.TY	DESCRIPTION	NOTES
2	82000590/1	2	Rimm	
3	25122200/2	4	Bearing	
4	125590020/0	2	Tyre 15"	
5	25950000/0	2	Valve	
6	25670005/1	2	Washer	
7	12001000/0	2	Snap Ring	
8	22110230/0	2	Hub Cover	
12	82000592/0	2	Rimm	
13	125590022/0	2	Tyre	
14	25950000/0	2	Valve	
15	25670005/1	2	Washer	
16	12001010/0	2	Snap Ring	
17	22110230/0	2	Hub Cover	

Joist  
Spareparts  
Joist