

# Genuine Spare Parts

www.stiga.com

## GARDEN COMBI

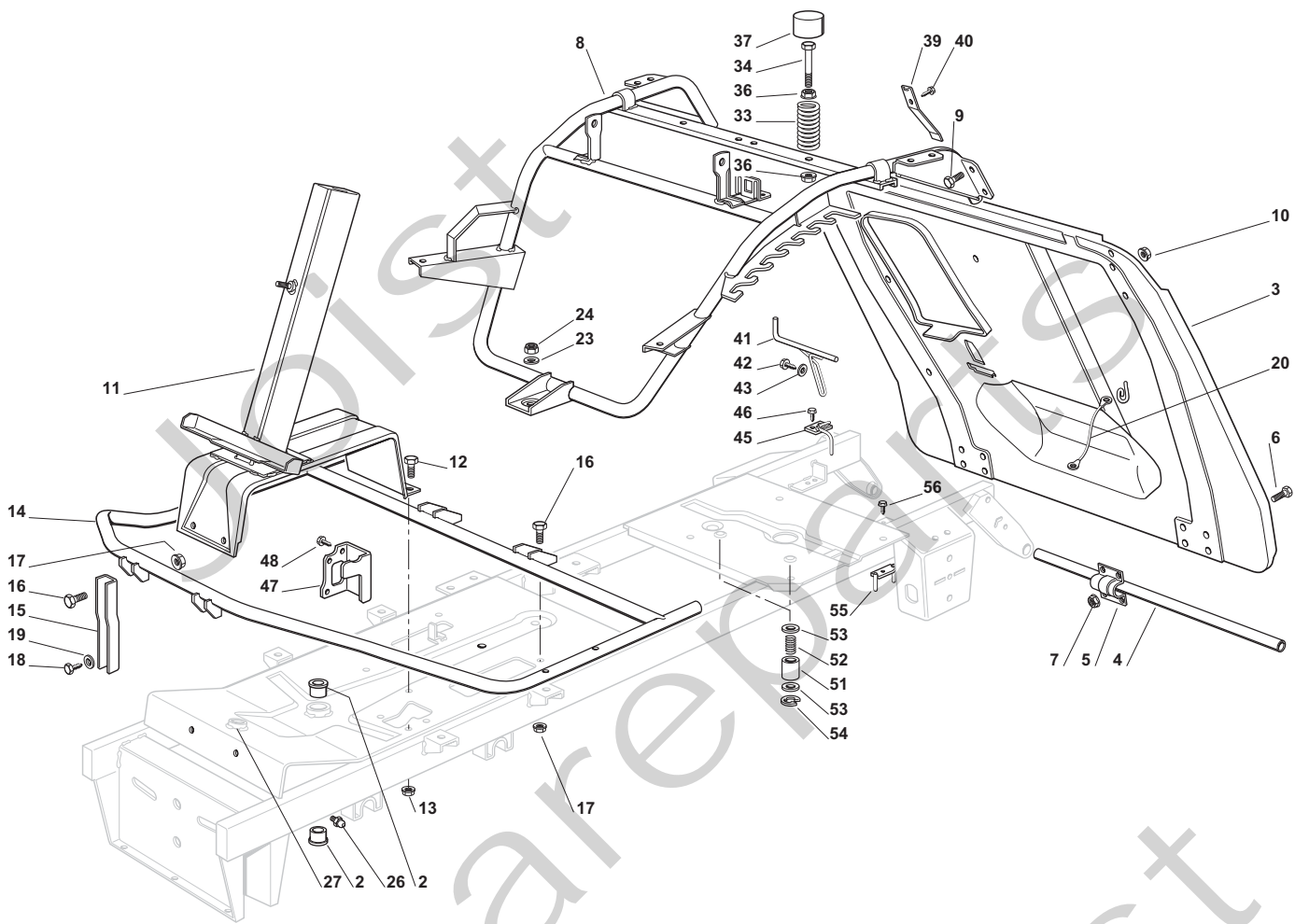
- Use GLOBAL GARDEN PRODUCT Genuine Spare Parts specified in the parts list for repair and/or replacement.
- The contents described in the parts list may change due to improvement.
- The drawings of the spare parts are only indicative and might not represent the part in question exactly.
- The indications "right" - "left" - "front" - "rear" refer to the position of the operator when using the machine.
- When placing orders of parts for repair and/or replacement, make sure that the illustrated parts list is the one applying to the machine's year of manufacture, as shown on the identification plate attached to the machine.

© Copyright 2012 Global Garden Products

All content is subject to copyright by Global Garden Products and may not be reproduced in whole or in part by any means, electronic or otherwise, without prior written approval.

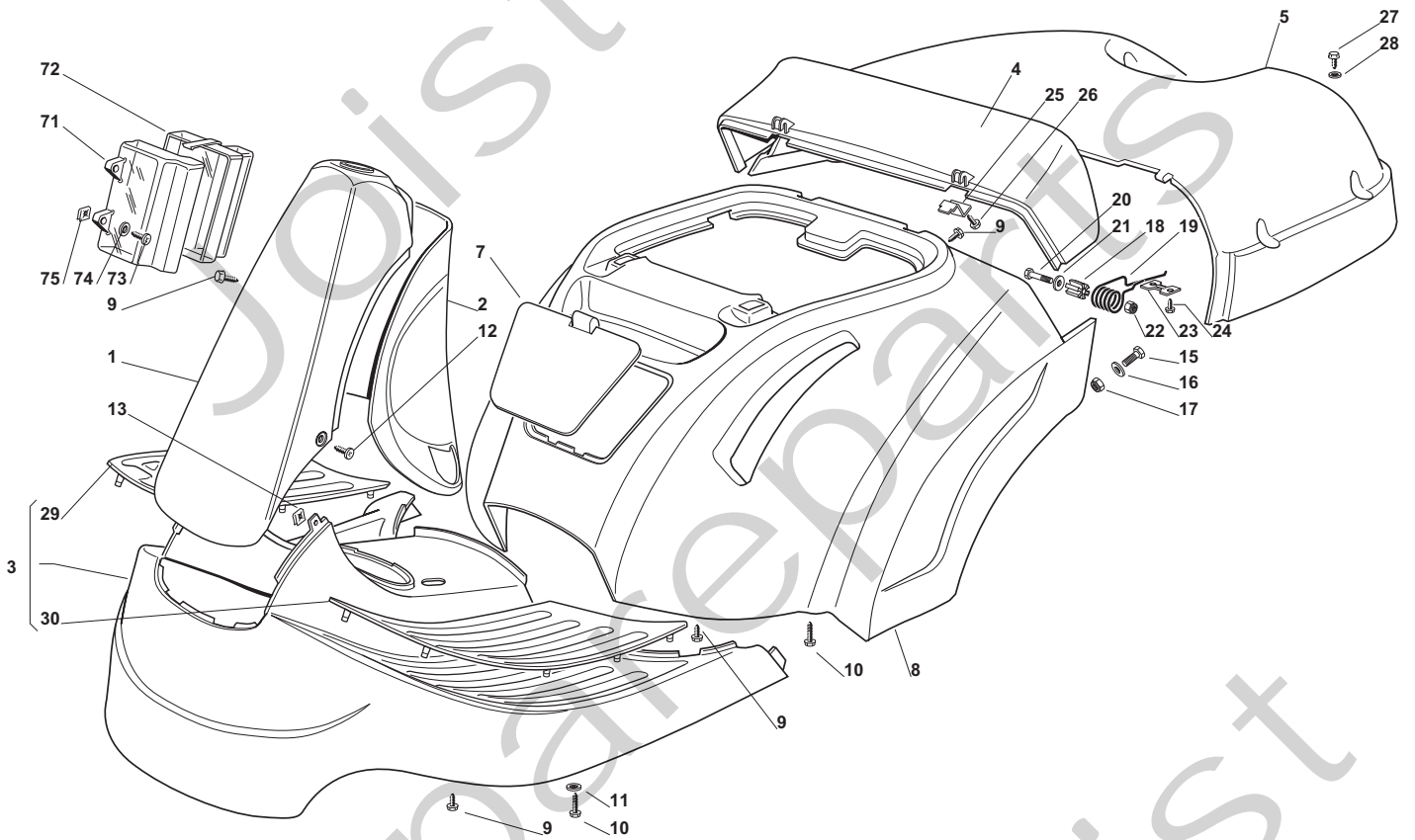
THIS INFORMATION IS NOT INTENDED FOR SALE OR RESALE, AND THIS NOTICE MUST REMAIN ON ALL COPIES.

**STIGA**®

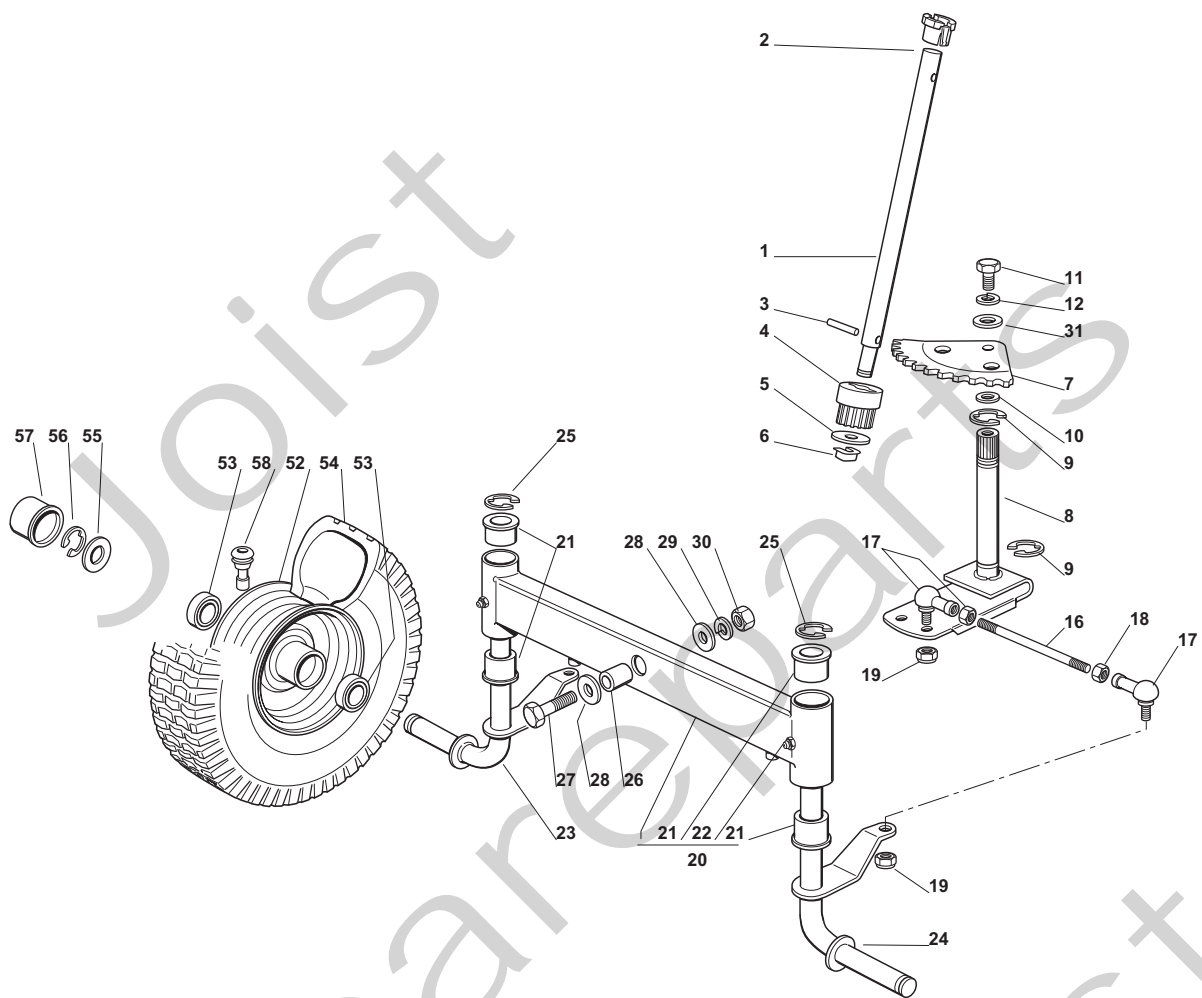


Chassis - B&S Engine / Honda Engine

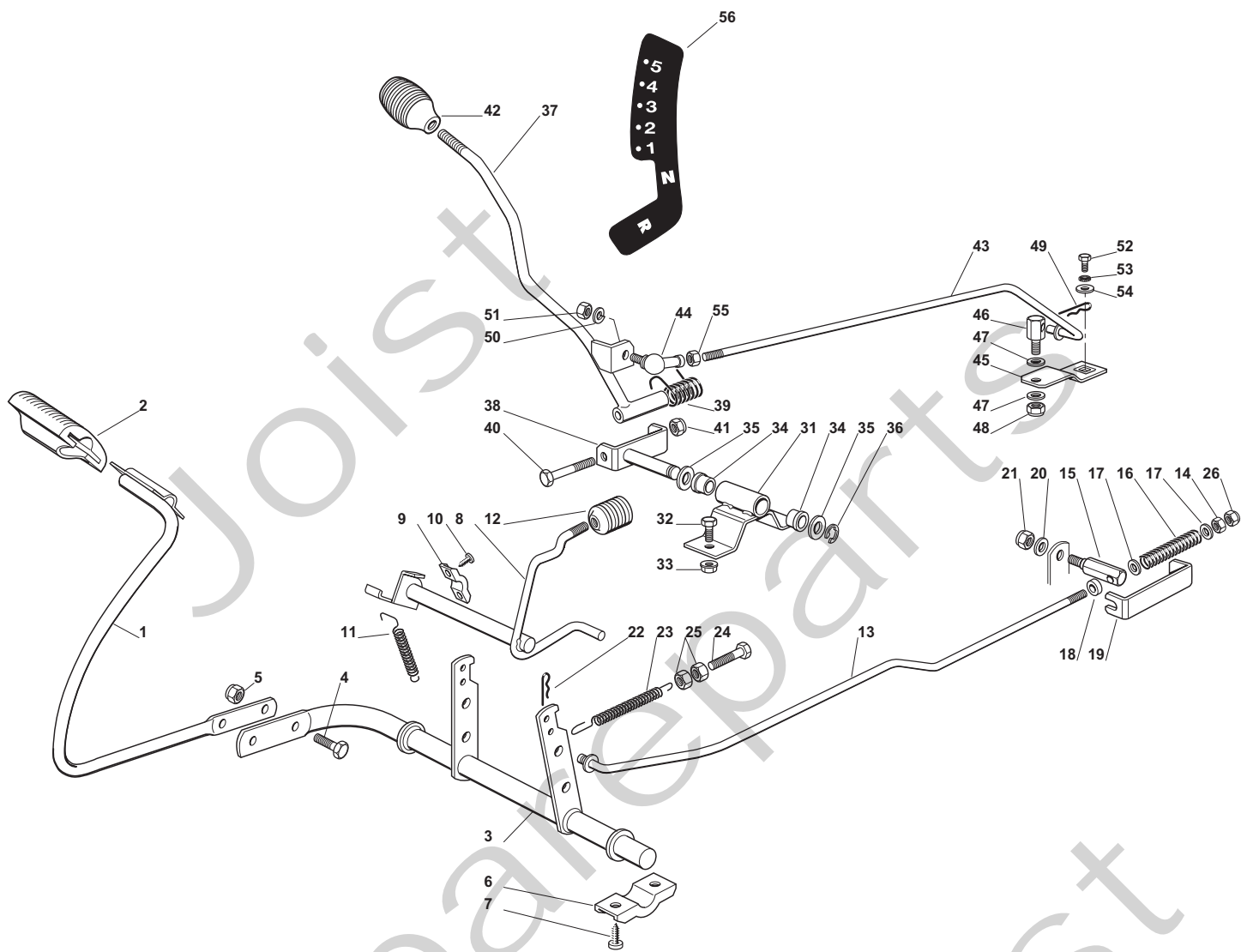
| POSITION | CODE        | QTY | DESCRIPTION        | NOTES |
|----------|-------------|-----|--------------------|-------|
| 2        | 25034002/1  | 2   | Bush               |       |
| 3        | 84545057/3  | 1   | Plate              |       |
| 4        | 27037000/1  | 1   | Pin                |       |
| 5        | 25547012/1  | 2   | Plate              |       |
| 6        | 112791200/1 | 8   | Screw              |       |
| 7        | 12292102/0  | 8   | Nut                |       |
| 8        | 84801127/0  | 1   | Chassis            |       |
| 9        | 12792611/0  | 4   | Screw              |       |
| 10       | 12293201/0  | 4   | Nut                |       |
| 11       | 84783027/0  | 1   | Support            |       |
| 12       | 12792611/0  | 4   | Screw              |       |
| 13       | 12293201/0  | 4   | Nut                |       |
| 14       | 384801107/2 | 1   | Fottboard Support  |       |
| 15       | 27787025/0  | 2   | Support            |       |
| 16       | 12792611/0  | 4   | Screw              |       |
| 17       | 12293201/0  | 4   | Nut                |       |
| 18       | 12734995/0  | 2   | Screw              |       |
| 19       | 12521331/0  | 2   | Washer             |       |
| 20       | 84040300/0  | 1   | Cord               |       |
| 23       | 12523060/0  | 1   | Washer             |       |
| 24       | 12155000/0  | 1   | Nut                |       |
| 26       | 12379511/0  | 1   | Grease Dispenser   |       |
| 27       | 25034001/0  | 1   | Bush               |       |
| 33       | 27430575/0  | 2   | Spring             |       |
| 34       | 27943050/0  | 2   | Screw              |       |
| 36       | 12293201/0  | 4   | Nut                |       |
| 37       | 25122000/2  | 2   | Hood               |       |
| 39       | 27430554/0  | 1   | Spring             |       |
| 40       | 12735110/0  | 1   | Screw              |       |
| 41       | 27294001/0  | 1   | Guide              |       |
| 42       | 12735120/0  | 1   | Screw              |       |
| 43       | 12523040/0  | 1   | Washer             |       |
| 45       | 27294003/0  | 1   | Belt Guide (Mech.) |       |
| 46       | 12735110/0  | 2   | Screw              |       |
| 47       | 27772095/0  | 1   | Support            |       |
| 48       | 12735106/0  | 2   | Screw              |       |
| 51       | 27047012/0  | 2   | Bush               |       |
| 52       | 27430577/0  | 2   | Spring             |       |
| 53       | 25670008/1  | 4   | Washer             |       |
| 54       | 12000955/0  | 2   | Snap Ring          |       |
| 55       | 84250053/0  | 1   | Belt Guide (Mech.) |       |
| 56       | 12735110/0  | 1   | Screw              |       |



| Body     |             |     |                                   |       |
|----------|-------------|-----|-----------------------------------|-------|
| POSITION | CODE        | QTY | DESCRIPTION                       | NOTES |
| 1        | 84598077/0  | 1   | Front Cover Yellow                |       |
| 2        | 27600134/0  | 1   | Rear Cover Grey                   |       |
| 3        | 84110143/0  | 1   | Footboard Cover Grey              |       |
| 4        | 27110360/0  | 1   | Grass-Catcher Cover, Fixed Yellow |       |
| 5        | 27110_____  | 1   | _____Catcher Cover, Mobile Yellow |       |
| 7        | 27109516/0  | 1   | Front Cover Yellow                |       |
| 8        | 84110132/1  | 1   | Wheels Cover Yellow               |       |
| 9        | 12735402/0  | 10  | Screw                             |       |
| 10       | 12735410/0  | 8   | Screw                             |       |
| 11       | 12523040/0  | 4   | Washer                            |       |
| 12       | 12727790/0  | 2   | Screw                             |       |
| 13       | 12437503/0  | 2   | Plate                             |       |
| 15       | 112791200/1 | 2   | Screw                             |       |
| 16       | 12523040/0  | 2   | Washer                            |       |
| 17       | 12154510/0  | 2   | Nut                               |       |
| 18       | 27047003/0  | 2   | Bush                              |       |
| 19       | 27430551/1  | 2   | Spring                            |       |
| 20       | 12691200/0  | 2   | Screw                             |       |
| 21       | 12523070/0  | 2   | Washer                            |       |
| 22       | 12155000/0  | 2   | Nut                               |       |
| 23       | 27546001/0  | 2   | Plate                             |       |
| 24       | 12735402/0  | 4   | Screw                             |       |
| 25       | 27546003/0  | 2   | Plate                             |       |
| 26       | 12735402/0  | 2   | Screw                             |       |
| 27       | 12729601/1  | 4   | Screw                             |       |
| 28       | 12521331/0  | 4   | Washer                            |       |
| 29       | 27110304/0  | 1   | Right Footboard Cover             |       |
| 30       | 27110305/0  | 1   | Left Footboard Cover              |       |
| 71       | 25600020/0  | 1   | Upper Guard                       |       |
| 72       | 25600021/1  | 1   | Lower Guard                       |       |
| 73       | 12728460/0  | 2   | Screw                             |       |
| 74       | 12521320/0  | 2   | Washer                            |       |
| 75       | 12437502/0  | 2   | Plate                             |       |



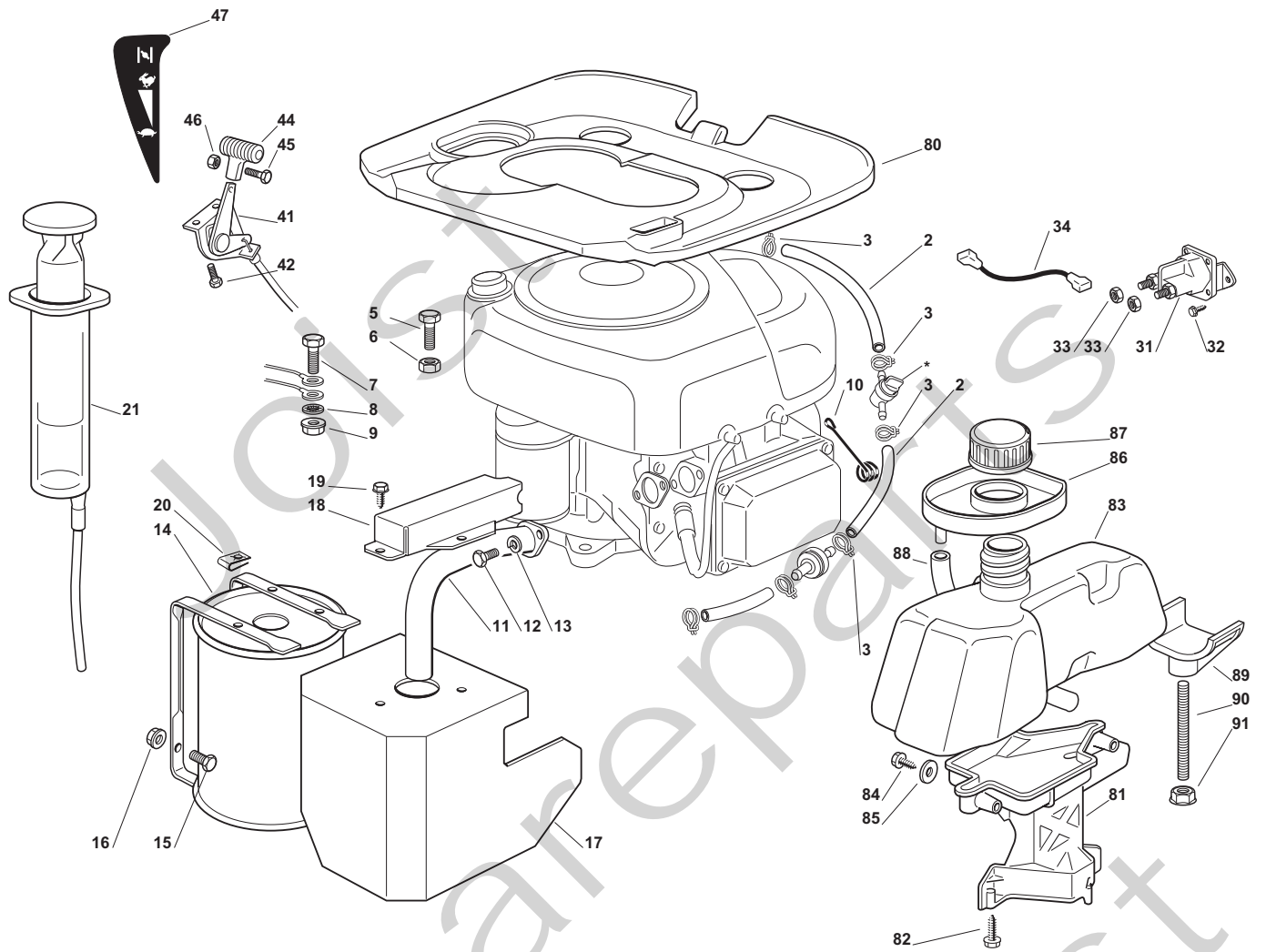
| Steering |             |     |                                    |       |
|----------|-------------|-----|------------------------------------|-------|
| POSITION | CODE        | QTY | DESCRIPTION                        | NOTES |
| 1        | 27520050/0  | 1   | Steering Column                    |       |
| 2        | 25038004/0  | 1   | Bush                               |       |
| 3        | 12622650/0  | 1   | Pin                                |       |
| 4        | 27570050/0  | 1   | Pinion                             |       |
| 5        | 12521370/0  | 1   | Washer                             |       |
| 6        | 12436030/0  | 1   | Plate                              |       |
| 7        | 84735551/0  | 1   | Steering Shaft                     |       |
| 8        | 84000501/0  | 1   | Shaft                              |       |
| 9        | 12001000/0  | 2   | Snap Ring                          |       |
| 10       | 12520031/0  | 0-2 | Washer                             |       |
| 11       | 12793102/0  | 1   | Screw                              |       |
| 12       | 12583500/0  | 1   | Grower                             |       |
| 16       | 27840050/0  | 2   | Tie Rod                            |       |
| 17       | 122746609/0 | 4   | Joint                              |       |
| 18       | 112295201/0 | 2   | Nut                                |       |
| 19       | 12156602/0  | 4   | Nut                                |       |
| 20       | 84034057/0  | 1   | Equalizer With Bush And Lubricator |       |
| 21       | 25034002/1  | 4   | Bush                               |       |
| 22       | 12379511/0  | 2   | Grease Dispenser                   |       |
| 23       | 84230401/0  | 1   | Right Stub Axle                    |       |
| 24       | 84230403/0  | 1   | Left Stub Axle                     |       |
| 25       | 12001000/0  | 2   | Snap Ring                          |       |
| 26       | 25160016/0  | 1   | Spacer                             |       |
| 27       | 12692695/0  | 1   | Screw                              |       |
| 28       | 12523100/0  | 2   | Washer                             |       |
| 29       | 12587100/0  | 1   | Grower                             |       |
| 30       | 12295300/0  | 1   | Nut                                |       |
| 31       | 12521350/0  | 1   | Washer                             |       |
| 52       | 184044007/0 | 2   | Rimm                               |       |
| 53       | 25122200/2  | 4   | Bearing                            |       |
| 54       | 127590050/0 | 2   | Shoe                               |       |
| 55       | 25670005/1  | 2   | Washer                             |       |
| 56       | 12001000/0  | 2   | Snap Ring                          |       |
| 57       | 22110230/0  | 2   | Hub Cover                          |       |
| 58       | 25950000/0  | 2   | Valve                              |       |





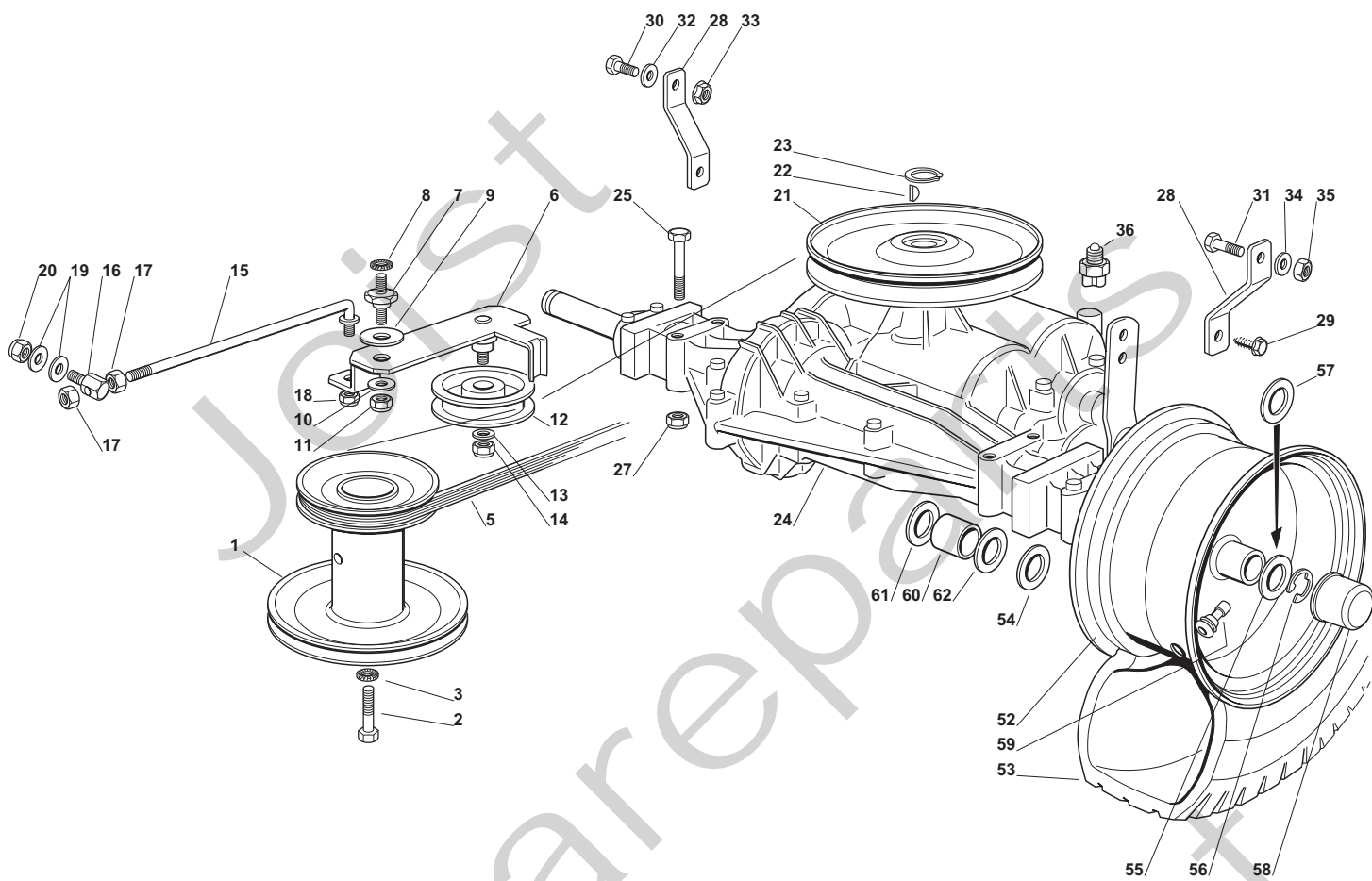
**Brake And Gearbox Controls**

| POSITION | CODE        | QTY | DESCRIPTION | NOTES |
|----------|-------------|-----|-------------|-------|
| 1        | 84503001/0  | 1   | Pedal       |       |
| 2        | 25110269/0  | 1   | Clamp Cover |       |
| 3        | 84001015/1  | 1   | Axle        |       |
| 4        | 12793301/0  | 2   | Screw       |       |
| 5        | 12155000/0  | 2   | Nut         |       |
| 6        | 27546015/1  | 2   | Plate       |       |
| 7        | 12731350/0  | 4   | Screw       |       |
| 8        | 84001011/2  | 1   | Axle        |       |
| 9        | 25547049/0  | 2   | Plate       |       |
| 10       | 12731601/0  | 4   | Screw       |       |
| 11       | 27430552/0  | 1   | Spring      |       |
| 12       | 27395050/1  | 1   | Knob        |       |
| 13       | 27034060/0  | 1   | Rod         |       |
| 14       | 12293200/0  | 1   | Nut         |       |
| 15       | 27510115/0  | 1   | Pin         |       |
| 16       | 25430236/0  | 1   | Spring      |       |
| 17       | 12521350/0  | 2   | Washer      |       |
| 18       | 22171001/0  | 1   | Spacer      |       |
| 19       | 25774275/0  | 1   | Clamp       |       |
| 20       | 12523050/0  | 1   | Washer      |       |
| 21       | 12154510/0  | 1   | Nut         |       |
| 22       | 24487997/0  | 1   | Cotter Pin  |       |
| 23       | 25430220/0  | 1   | Spring      |       |
| 24       | 22943005/0  | 1   | Screw       |       |
| 25       | 12293200/0  | 2   | Nut         |       |
| 26       | 12155000/0  | 1   | Nut         |       |
| 31       | 84773551/0  | 1   | Clamp       |       |
| 32       | 12793102/0  | 2   | Screw       |       |
| 33       | 12293201/0  | 2   | Nut         |       |
| 34       | 27047002/0  | 2   | Bushing     |       |
| 35       | 12521370/0  | 2   | Washer      |       |
| 36       | 12608600/0  | 1   | Seeger      |       |
| 37       | 84317051/2  | 1   | Gearshift   |       |
| 38       | 84773553/0  | 1   | Clamp       |       |
| 39       | 25430226/0  | 1   | Spring      |       |
| 40       | 12692050/0  | 1   | Screw       |       |
| 41       | 12155000/0  | 1   | Nut         |       |
| 42       | 82394508/0  | 1   | Knob        |       |
| 43       | 27034080/0  | 1   | Rod         |       |
| 44       | 122746610/0 | 1   | Joint       |       |
| 45       | 27315109/0  | 1   | Gearshift   |       |
| 46       | 25510040/1  | 1   | Pin         |       |
| 47       | 25670011/0  | 2   | Washer      |       |
| 48       | 12155000/0  | 1   | Nut         |       |
| 49       | 24487997/0  | 1   | Cotter Pin  |       |
| 50       | 12583500/0  | 1   | Grower      |       |
| 51       | 12293200/0  | 1   | Nut         |       |
| 52       | 12735520/0  | 1   | Screw       |       |
| 53       | 12540040/0  | 1   | Washer      |       |
| 54       | 22680009/0  | 1   | Washer      |       |
| 55       | 12293200/0  | 1   | Nut         |       |
| 56       | 14357426/0  | 1   | Label       |       |

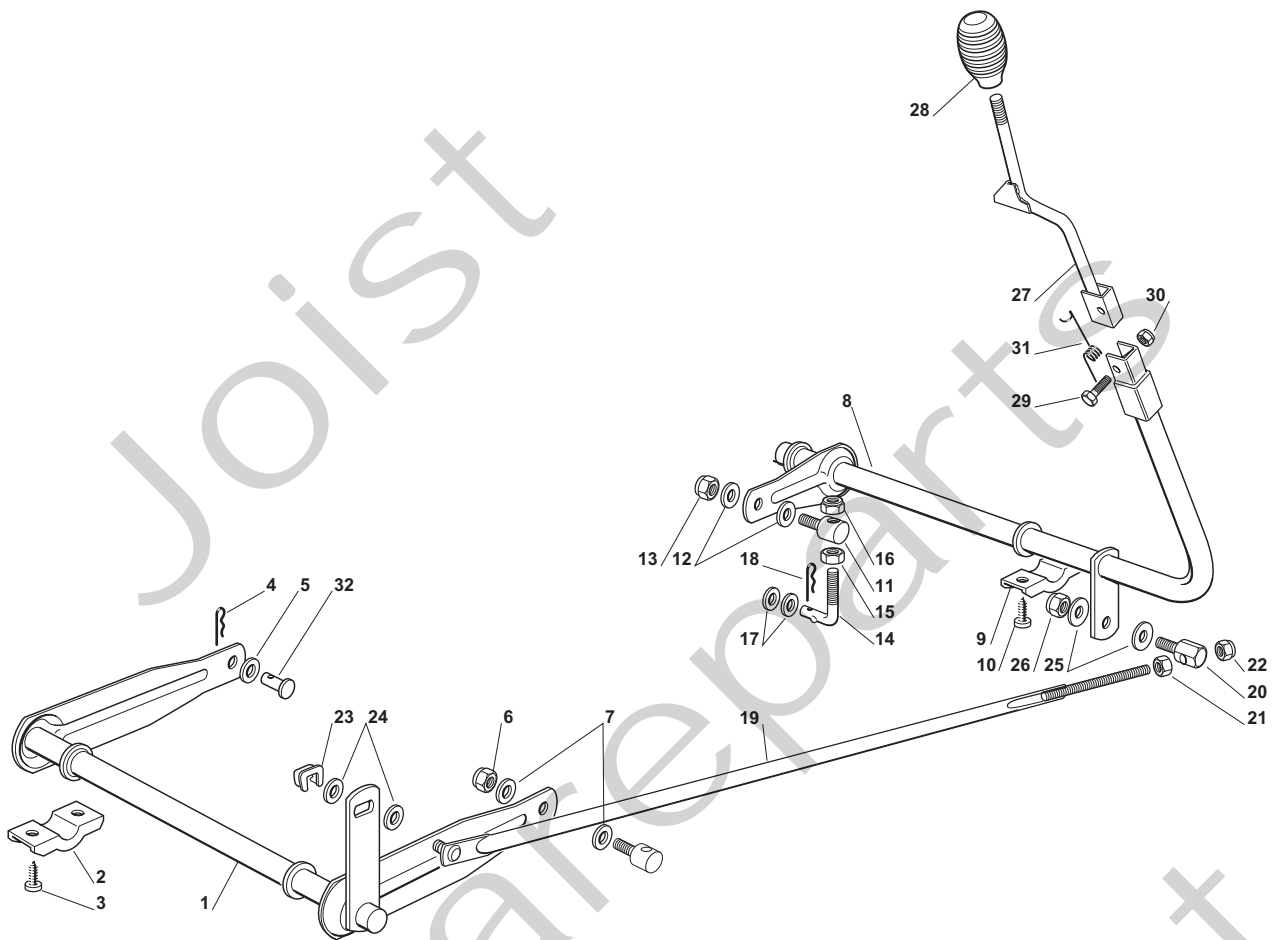


**Engine - B&S**

| POSITION | CODE        | QTY | DESCRIPTION        | NOTES |
|----------|-------------|-----|--------------------|-------|
| 2        | 25869035/1  | 2   | Tube               |       |
| 3        | 18375051/1  | 4   | Fair Led           |       |
| 5        | 12691100/0  | 3   | Screw              |       |
| 6        | 12154210/0  | 3   | Nut                |       |
| 7        | 12691115/0  | 1   | Screw              |       |
| 8        | 12540260/0  | 1   | Washer             |       |
| 9        | 12154210/0  | 1   | Nut                |       |
| 10       | 25430239/1  | 1   | Spring             |       |
| 11       | 18738225/0  | 1   | Exhaust Connection |       |
| 12       | 12737450/0  | 2   | Screw              |       |
| 13       | 12583500/0  | 2   | Grower             |       |
| 14       | 82750006/1  | 1   | Muffler            |       |
| 15       | 12793102/0  | 2   | Screw              |       |
| 16       | 12154210/0  | 2   | Nut                |       |
| 17       | 84598081/0  | 1   | Muffler Protection |       |
| 18       | 27600137/0  | 1   | Protection         |       |
| 19       | 12729601/1  | 3   | Screw              |       |
| 20       | 12437504/0  | 3   | Plate              |       |
| 21       | 18718000/0  | 1   | Syringe            |       |
| 31       | 18736110/0  | 1   | Starter Relay      |       |
| 32       | 12735110/0  | 2   | Screw              |       |
| 33       | 12360352/0  | 2   | Nut                |       |
| 34       | 27065050/0  | 1   | Cable              |       |
| 41       | 84000250/1  | 1   | Accelerator        |       |
| 42       | 125943012/0 | 2   | Screw              |       |
| 44       | 25394501/0  | 1   | Handle             |       |
| 45       | 12726388/0  | 1   | Screw              |       |
| 46       | 12290800/0  | 1   | Nut                |       |
| 47       | 114357425/1 | 1   | Label              |       |
| 80       | 27110306/2  | 1   | Engine Cover       |       |
| 81       | 27787062/0  | 1   | Support            |       |
| 82       | 12735410/0  | 3   | Screw              |       |
| 83       | 27733003/1  | 1   | Tank               |       |
| 84       | 12735410/0  | 2   | Screw              |       |
| 85       | 12523040/0  | 2   | Washer             |       |
| 86       | 27600061/2  | 1   | Guard              |       |
| 87       | 25795000/1  | 1   | Cap                |       |
| 88       | 25869014/1  | 1   | Tube               |       |
| 89       | 27787063/0  | 1   | Support            |       |
| 90       | 27510118/0  | 1   | Pin                |       |
| 91       | 12293201/0  | 2   | Nut                |       |

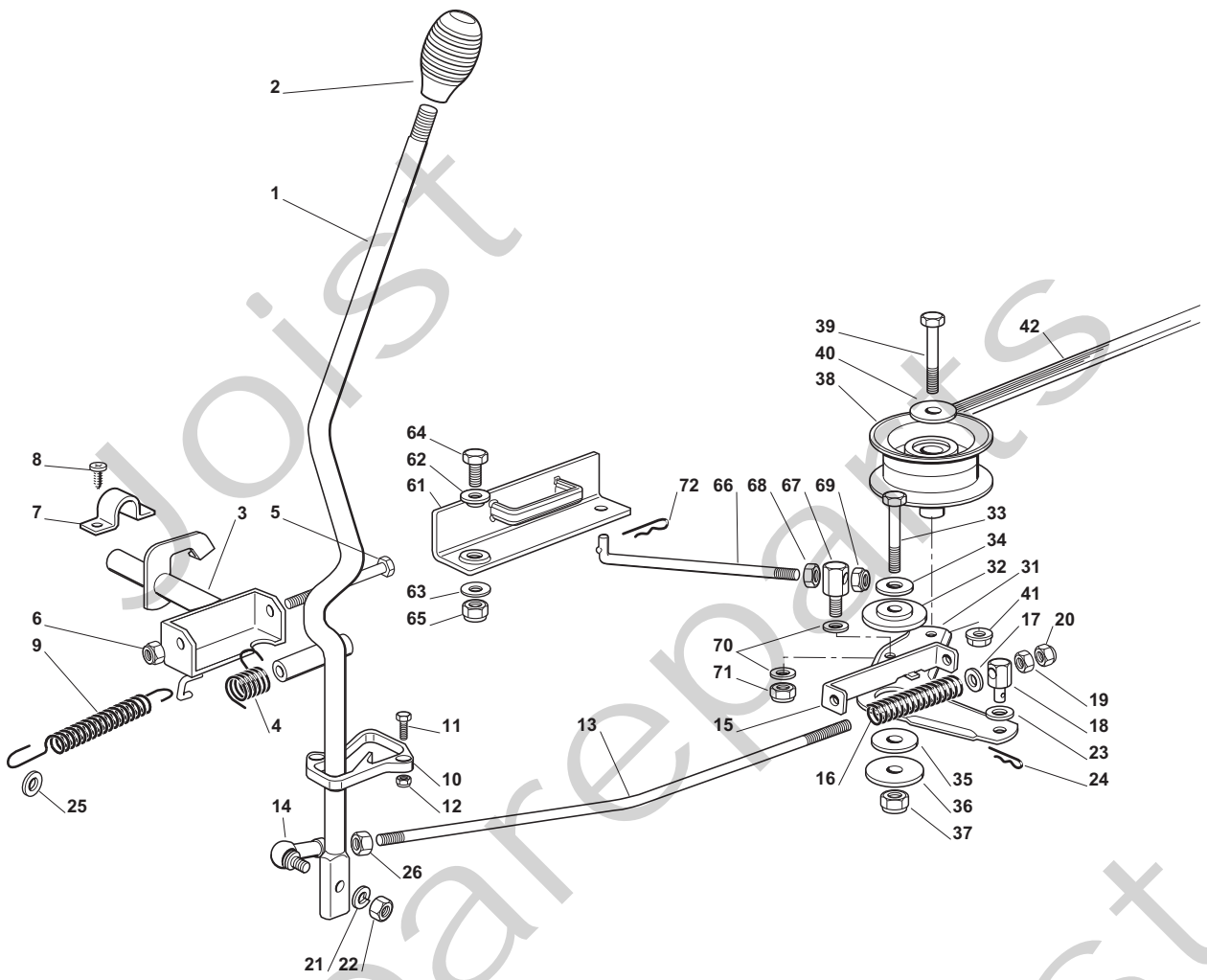


| Transmission |             |     |                         |       |
|--------------|-------------|-----|-------------------------|-------|
| POSITION     | CODE        | QTY | DESCRIPTION             | NOTES |
| 1            | 27604003/1  | 1   | Pulley                  |       |
| 2            | 12737310/0  | 1   | Screw                   |       |
| 3            | 12543000/0  | 1   | Washer                  |       |
| 5            | 35061400/0  | 1   | Belt                    |       |
| 6            | 84317055/1  | 1   | Lever                   |       |
| 7            | 27510096/0  | 1   | Pin                     |       |
| 8            | 12540260/0  | 1   | Washer                  |       |
| 9            | 22672151/0  | 1   | Washer                  |       |
| 10           | 25670011/0  | 1   | Washer                  |       |
| 11           | 12155010/0  | 1   | Nut                     |       |
| 12           | 25601554/0  | 1   | Pulley                  |       |
| 13           | 12523060/0  | 1   | Washer                  |       |
| 14           | 12155000/0  | 1   | Nut                     |       |
| 15           | 27034054/0  | 1   | Tie Rod                 |       |
| 16           | 25510040/1  | 1   | Pin                     |       |
| 17           | 12293200/0  | 2   | Nut                     |       |
| 18           | 12155000/0  | 1   | Nut                     |       |
| 19           | 25670011/0  | 2   | Washer                  |       |
| 20           | 12155000/0  | 1   | Nut                     |       |
| 21           | 82601503/0  | 1   | Pulley                  |       |
| 22           | 12139430/0  | 1   | Key                     |       |
| 23           | 12608950/0  | 1   | Snap Ring               |       |
| 24           | 18400917/0  | 1   | Rear Axle Dana 4360-210 |       |
| 25           | 12691900/0  | 4   | Screw                   |       |
| 27           | 12154210/0  | 4   | Nut                     |       |
| 28           | 27772067/0  | 2   | Clamp                   |       |
| 29           | 12735150/0  | 2   | Screw                   |       |
| 30           | 12793102/0  | 1   | Screw                   |       |
| 31           | 12793301/0  | 1   | Screw                   |       |
| 32           | 12523060/0  | 1   | Washer                  |       |
| 33           | 12293201/0  | 1   | Nut                     |       |
| 34           | 12521350/0  | 1   | Washer                  |       |
| 35           | 12155000/0  | 1   | Nut                     |       |
| 36           | 19410610/0  | 1   | Gearbox Switch          |       |
| 52           | 184044013/0 | 2   | Rimm                    |       |
| 53           | 127590051/0 | 2   | Shoe                    |       |
| 54           | 12521410/0  | 2   | Washer                  |       |
| 55           | 25670005/1  | 2   | Washer                  |       |
| 56           | 12001010/0  | 2   | Snap Ring               |       |
| 57           | 12520010/0  | 0-4 | Washer                  |       |
| 58           | 22110230/0  | 2   | Hub Cover               |       |
| 59           | 25950000/0  | 2   | Valve                   |       |
| 60           | 25160034/0  | 2   | Spacer                  |       |
| 61           | 25670005/1  | 2   | Washer                  |       |
| 62           | 25670006/0  | 2   | Spacer                  |       |



Cutting Plate Lifting - B&S/Honda Engines

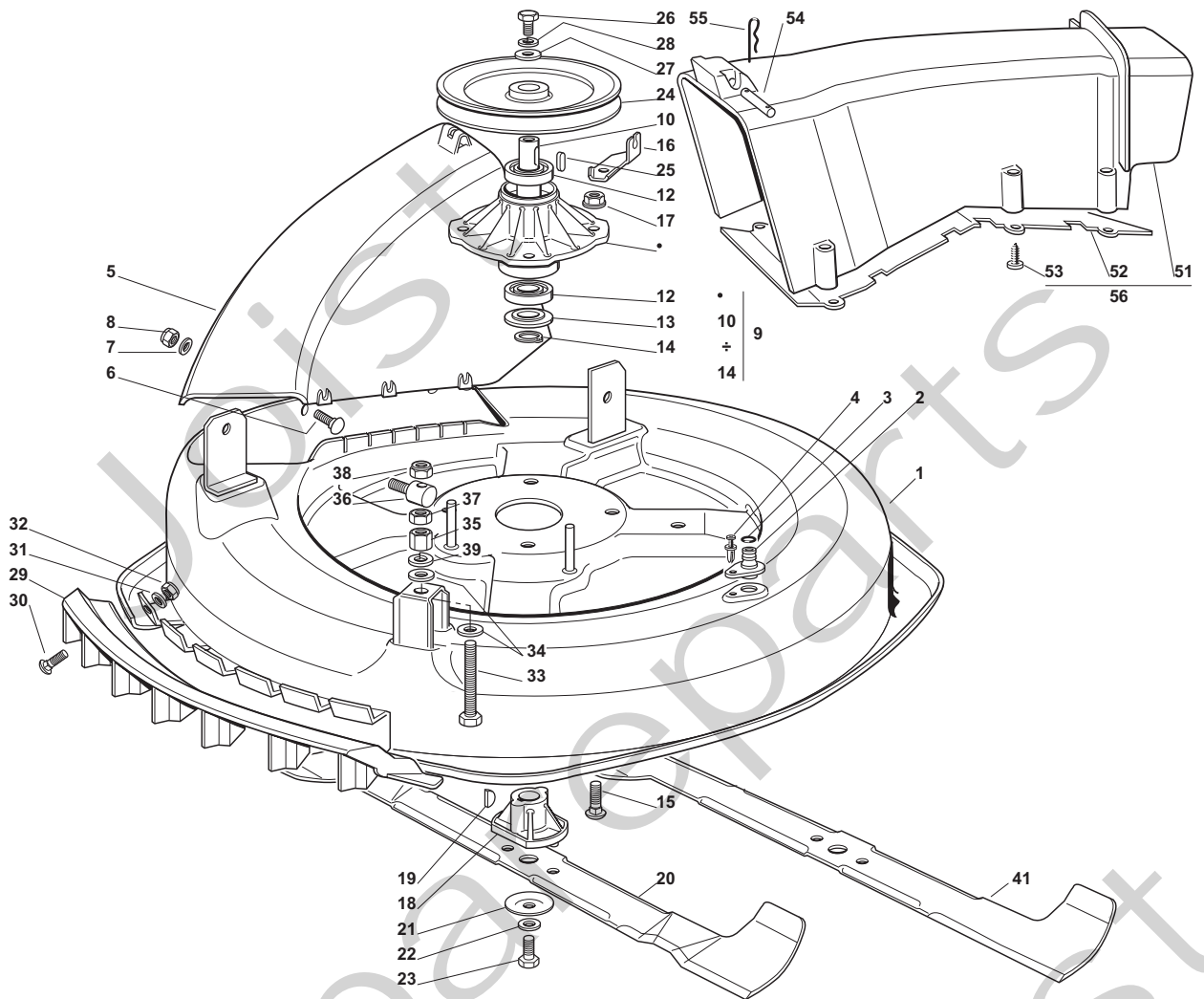
| POSITION | CODE        | QTY | DESCRIPTION | NOTES |
|----------|-------------|-----|-------------|-------|
| 1        | 84001025/0  | 1   | Axle        |       |
| 2        | 27546015/1  | 2   | Plate       |       |
| 3        | 12731350/0  | 4   | Screw       |       |
| 4        | 24487997/0  | 1   | Cotter Pin  |       |
| 5        | 25670008/1  | 1   | Washer      |       |
| 6        | 12156602/0  | 1   | Nut         |       |
| 7        | 25670008/1  | 2   | Washer      |       |
| 8        | 84001005/2  | 1   | Axle        |       |
| 9        | 27546015/1  | 2   | Plate       |       |
| 10       | 12731350/0  | 4   | Screw       |       |
| 11       | 125510007/2 | 1   | Pin         |       |
| 12       | 25670008/1  | 2   | Washer      |       |
| 13       | 12156602/0  | 1   | Nut         |       |
| 14       | 25840003/2  | 1   | Tie Rod     |       |
| 15       | 12295200/0  | 1   | Nut         |       |
| 16       | 12156602/0  | 1   | Nut         |       |
| 17       | 22672150/0  | 2   | Washer      |       |
| 18       | 24487997/0  | 1   | Cotter Pin  |       |
| 19       | 84002051/0  | 1   | Rod         |       |
| 20       | 25510040/1  | 1   | Pin         |       |
| 21       | 12293200/0  | 1   | Nut         |       |
| 22       | 12155000/0  | 1   | Nut         |       |
| 23       | 12436050/0  | 1   | Plate       |       |
| 24       | 25670011/0  | 2   | Washer      |       |
| 25       | 25670011/0  | 2   | Washer      |       |
| 26       | 12155000/0  | 1   | Nut         |       |
| 27       | 84317065/1  | 1   | Lever       |       |
| 28       | 25394510/0  | 1   | Knob        |       |
| 29       | 12674700/0  | 1   | Screw       |       |
| 30       | 12154510/0  | 1   | Nut         |       |
| 31       | 27430555/0  | 1   | Spring      |       |
| 32       | 27510114/0  | 1   | Pin         |       |



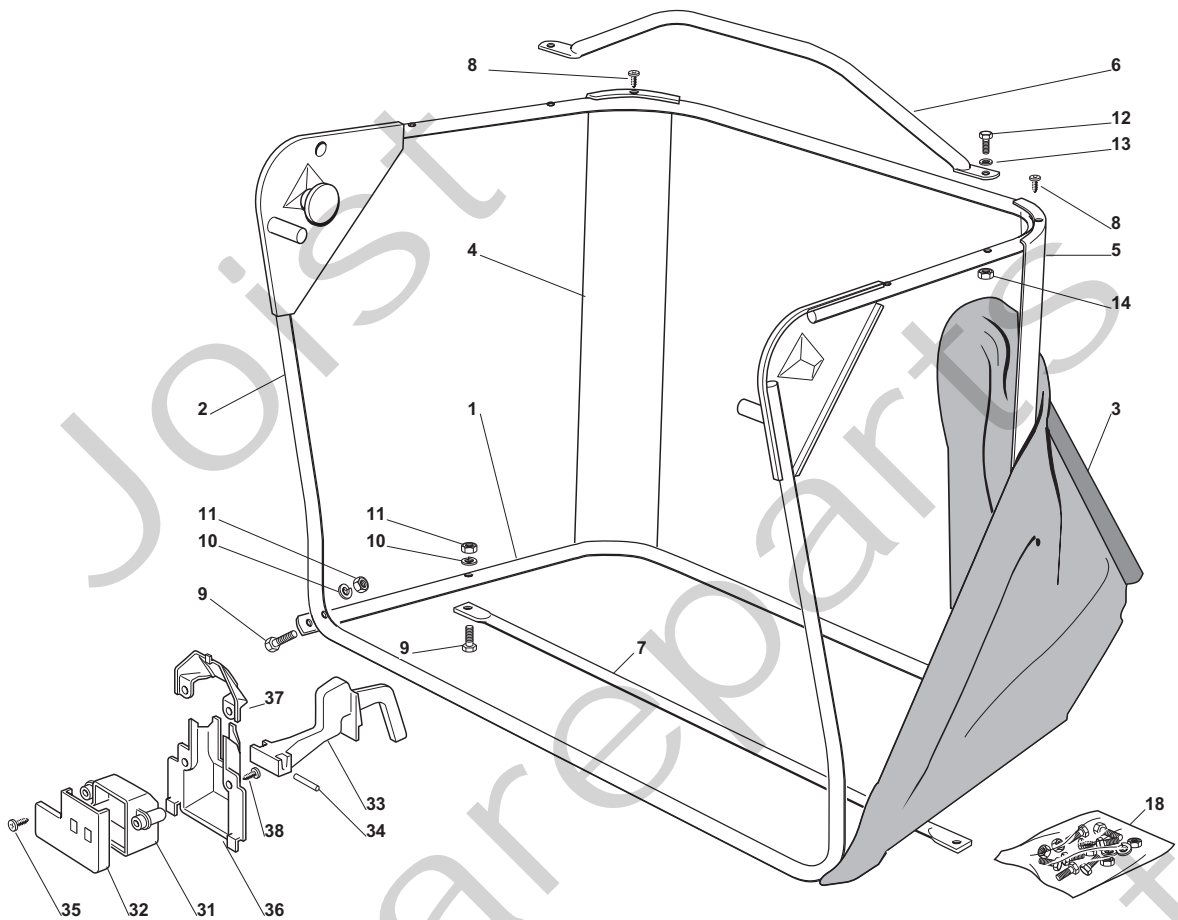


Blades Engagement - B&S/Honda Engines

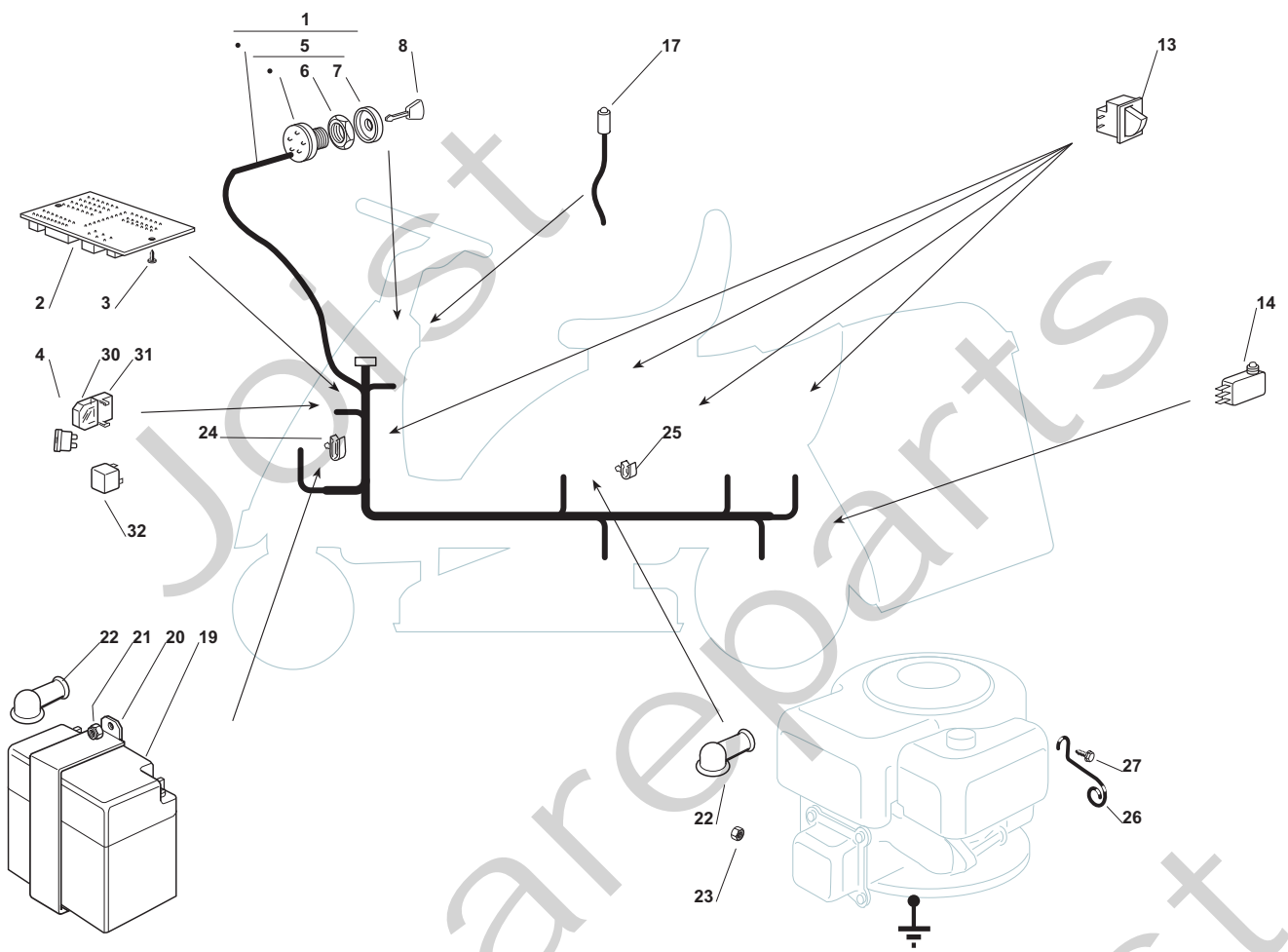
| POSITION | CODE        | QTY | DESCRIPTION | NOTES |
|----------|-------------|-----|-------------|-------|
| 1        | 84317069/0  | 1   | Lever       |       |
| 2        | 25394510/0  | 1   | Knob        |       |
| 3        | 84001007/0  | 1   | Axle        |       |
| 4        | 25430226/0  | 1   | Spring      |       |
| 5        | 12692050/0  | 1   | Screw       |       |
| 6        | 12155000/0  | 1   | Nut         |       |
| 7        | 25547049/0  | 2   | Plate       |       |
| 8        | 12731601/0  | 4   | Screw       |       |
| 9        | 27430571/0  | 1   | Spring      |       |
| 10       | 27487000/0  | 1   | Shoe        |       |
| 11       | 112791200/1 | 2   | Screw       |       |
| 12       | 12154510/0  | 2   | Nut         |       |
| 13       | 27034078/0  | 1   | Rod         |       |
| 14       | 122746610/0 | 1   | Joint       |       |
| 15       | 27772143/0  | 1   | Clamp       |       |
| 16       | 27430576/0  | 1   | Spring      |       |
| 17       | 12521350/0  | 1   | Washer      |       |
| 18       | 27510113/0  | 1   | Pin         |       |
| 19       | 12293200/0  | 1   | Nut         |       |
| 20       | 12155000/0  | 1   | Nut         |       |
| 21       | 12583500/0  | 1   | Grower      |       |
| 22       | 12293200/0  | 1   | Nut         |       |
| 23       | 25670008/1  | 1   | Washer      |       |
| 24       | 24487997/0  | 1   | Cotter Pin  |       |
| 25       | 25670006/0  | 1   | Spacer      |       |
| 26       | 12293200/0  | 1   | Nut         |       |
| 31       | 84317083/0  | 1   | Lever       |       |
| 32       | 27047000/0  | 1   | Bush        |       |
| 33       | 12691200/0  | 1   | Screw       |       |
| 34       | 12523060/0  | 1   | Washer      |       |
| 35       | 22672152/0  | 1   | Washer      |       |
| 36       | 12523070/0  | 1   | Washer      |       |
| 37       | 12155000/0  | 1   | Nut         |       |
| 38       | 27604008/0  | 1   | Pulley      |       |
| 39       | 12691600/0  | 1   | Screw       |       |
| 40       | 12523060/0  | 1   | Washer      |       |
| 41       | 12293201/0  | 1   | Nut         |       |
| 42       | 35061423/0  | 1   | Belt        |       |
| 61       | 84220501/0  | 1   | Brake       |       |
| 62       | 22041980/0  | 1   | Bush        |       |
| 63       | 22672152/0  | 1   | Washer      |       |
| 64       | 12793102/0  | 1   | Screw       |       |
| 65       | 12155010/0  | 1   | Nut         |       |
| 66       | 27034077/0  | 1   | Rod         |       |
| 67       | 25510040/1  | 1   | Pin         |       |
| 68       | 12293200/0  | 1   | Nut         |       |
| 69       | 12155000/0  | 1   | Nut         |       |
| 70       | 25670011/0  | 2   | Washer      |       |
| 71       | 12155000/0  | 1   | Nut         |       |
| 72       | 24487997/0  | 1   | Cotter Pin  |       |



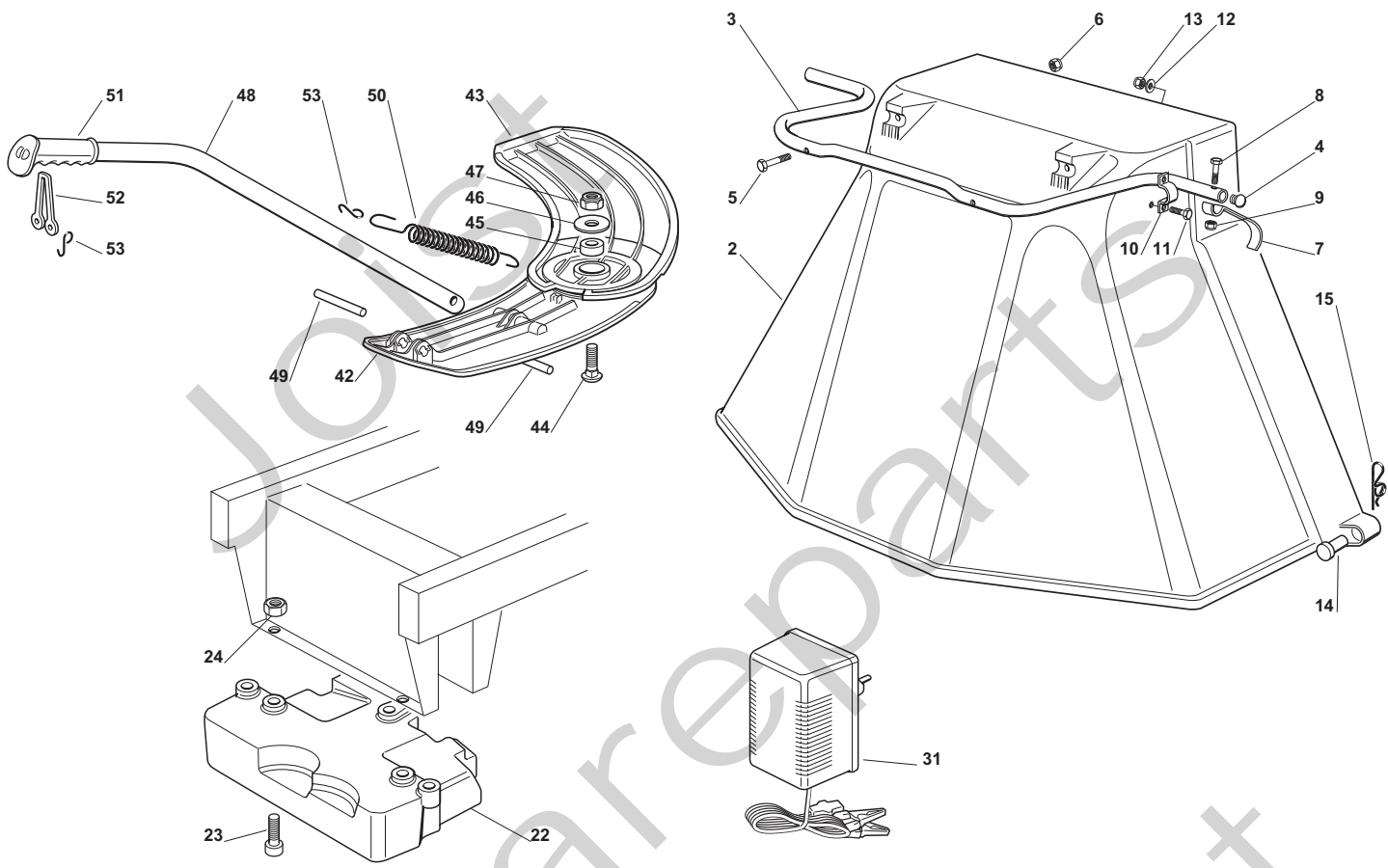
| Cutting Plate |             |     |                             |       |
|---------------|-------------|-----|-----------------------------|-------|
| POSITION      | CODE        | QTY | DESCRIPTION                 | NOTES |
| 1             | 384564111/0 | 1   | Plate, Black                |       |
| 1             | 384564112/0 | 1   | Plate, Red                  |       |
| 1             | 384564113/0 | 1   | Plate, Yellow               |       |
| 2             | 25033060/0  | 1   | Water Hose Connection       |       |
| 3             | 19035000/0  | 1   | O Ring                      |       |
| 4             | 12500030/0  | 1   | Rivet                       |       |
| 5             | 27045000/1  | 1   | Conveyor Inlet              |       |
| 6             | 12815210/0  | 6   | Screw                       |       |
| 7             | 12523040/0  | 6   | Washer                      |       |
| 8             | 12154510/0  | 6   | Nut                         |       |
| 9             | 84207250/0  | 1   | Flange Ass.Y (10÷14)        |       |
| 10            | 27023000/0  | 1   | Shaft                       |       |
| 12            | 119216047/0 | 2   | Bearing                     |       |
| 13            | 25160501/0  | 1   | Dust Cover                  |       |
| 14            | 12609260/0  | 1   | Seeger                      |       |
| 15            | 12818700/0  | 4   | Screw                       |       |
| 16            | 27787067/0  | 1   | Support (Ggp)               |       |
| 17            | 12154210/0  | 4   | Nut                         |       |
| 18            | 25463200/0  | 1   | Blade Hub                   |       |
| 19            | 12139100/0  | 1   | Feather                     |       |
| 20            | 84109503/0  | 1   | Blade Mulching, Winged      |       |
| 21            | 22160400/0  | 1   | Elastic Washer              |       |
| 22            | 12523080/0  | 1   | Washer                      |       |
| 23            | 12735694/0  | 1   | Screw                       |       |
| 24            | 27604009/0  | 1   | Pulley                      |       |
| 25            | 12139480/0  | 1   | Key                         |       |
| 26            | 12793102/0  | 1   | Screw                       |       |
| 27            | 25670007/0  | 1   | Washer                      |       |
| 28            | 12583500/0  | 1   | Grower                      |       |
| 29            | 27488000/0  | 1   | Air Intake Grill            |       |
| 30            | 12815200/0  | 4   | Screw                       |       |
| 31            | 12521340/0  | 4   | Washer                      |       |
| 32            | 12154510/0  | 4   | Nut                         |       |
| 33            | 12794970/0  | 1   | Screw                       |       |
| 34            | 12523080/0  | 2   | Washer                      |       |
| 35            | 12154250/0  | 1   | Nut                         |       |
| 36            | 125510007/2 | 1   | Pin                         |       |
| 37            | 12295200/0  | 1   | Nut                         |       |
| 38            | 12156602/0  | 1   | Nut                         |       |
| 39            | 12585100/0  | 1   | Grower                      |       |
| 41            | 84109502/0  | 1   | Blade, Winged               |       |
| 51            | 27107501/0  | 1   | Conveyor                    |       |
| 52            | 27140051/1  | 1   | Deflector                   |       |
| 53            | 12735402/0  | 8   | Screw                       |       |
| 54            | 27510097/1  | 1   | Pin                         |       |
| 55            | 24487997/0  | 2   | Cotter Pin                  |       |
| 56            | 84108051/0  | 1   | Conveyor Ass.Y (51, 52, 53) |       |



| Grasscatcher |             |     |                       |       |
|--------------|-------------|-----|-----------------------|-------|
| POSITION     | CODE        | QTY | DESCRIPTION           | NOTES |
| 1            | 84801103/0  | 1   | Lower Frame           |       |
| 2            | 84801105/1  | 1   | Upper Frame           |       |
| 3            | 184106069/0 | 1   | Grasscatcher          |       |
| 4            | 27010205/0  | 1   | Right Angular Support |       |
| 5            | 27010207/0  | 1   | Left Angular Support  |       |
| 6            | 84869051/0  | 1   | Rod                   |       |
| 7            | 84650100/0  | 1   | Stiffening            |       |
| 8            | 12729601/1  | 4   | Screw                 |       |
| 9            | 12792099/0  | 4   | Screw                 |       |
| 10           | 12582101/0  | 4   | Grower                |       |
| 11           | 12292100/0  | 4   | Nut                   |       |
| 12           | 12674701/0  | 2   | Screw                 |       |
| 13           | 12521331/0  | 2   | Washer                |       |
| 14           | 12154510/0  | 2   | Nut                   |       |
| 18           | 84180180/0  | 1   | Screws Outfit (8÷14)  |       |
| 31           | 25600041/0  | 1   | Micro Protection      |       |
| 32           | 25600042/0  | 1   | Protection Cover      |       |
| 33           | 25318124/0  | 1   | Lever                 |       |
| 34           | 12400030/0  | 1   | Pin                   |       |
| 35           | 12728510/0  | 1   | Screw                 |       |
| 36           | 25600047/0  | 1   | Micro Protection      |       |
| 37           | 25600048/0  | 1   | Deflector Cover       |       |
| 38           | 12728450/0  | 2   | Screw                 |       |



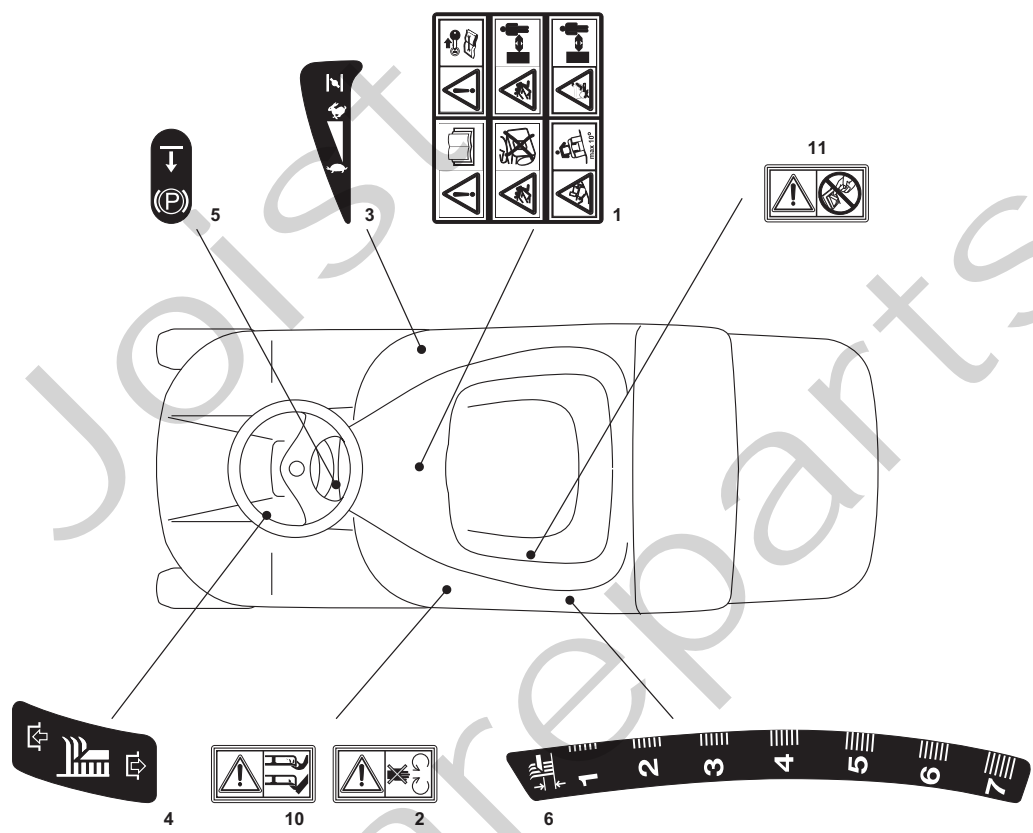
| Electrical Parts |             |     |                         |                     |
|------------------|-------------|-----|-------------------------|---------------------|
| POSITION         | CODE        | QTY | DESCRIPTION             | NOTES               |
| 1                | 184040126/2 | 1   | Cables (B&S - GGP)      | B&S and GGP Engines |
| 1                | 84040119/0  | 1   | Cables (Honda)          | Honda Engines       |
| 2                | 25722415/1  | 1   | Electronic Card         |                     |
| 3                | 12727810/0  | 2   | Screw                   |                     |
| 4                | 33340040/0  | 1   | Fuse 10A                |                     |
| 4                | 33340036/0  | 1   | Fuse 25 A               |                     |
| 5                | 18450065/1  | 1   | Starting Switch         |                     |
| 6                | 18400861/0  | 1   | Screwed Ring            |                     |
| 7                | 18565351/0  | 1   | Screwed Ring Protection |                     |
| 8                | 18210016/1  | 1   | Starting Key            |                     |
| 13               | 119410615/0 | 4   | Microswitch             |                     |
| 14               | 19410605/1  | 1   | Full Grasscatc. Micro   |                     |
| 17               | 25065014/1  | 1   | Cable                   |                     |
| 19               | 18120002/1  | 1   | Battery                 |                     |
| 20               | 27772099/1  | 1   | Clamp                   |                     |
| 21               | 12155000/0  | 1   | Nut                     |                     |
| 22               | 18564861/1  | 2   | Protection              |                     |
| 23               | 12361005/0  | 1   | Nut (B&S - GGP)         | B&S and GGP Engines |
| 24               | 33320506/0  | 3   | Fairlead                |                     |
| 25               | 33320504/0  | 1   | Fairlead                |                     |
| 26               | 27430561/0  | 1   | Spring (B&S - GGP)      | B&S and GGP Engines |
| 27               | 12735121/0  | 1   | Screw (B&S - GGP)       | B&S and GGP Engines |
| 30               | 33215000/0  | 2   | Cover                   |                     |
| 31               | 33500007/0  | 2   | Fuse Carrier            |                     |
| 32               | 33567000/0  | 1   | Relay (Honda)           | Honda Engines       |





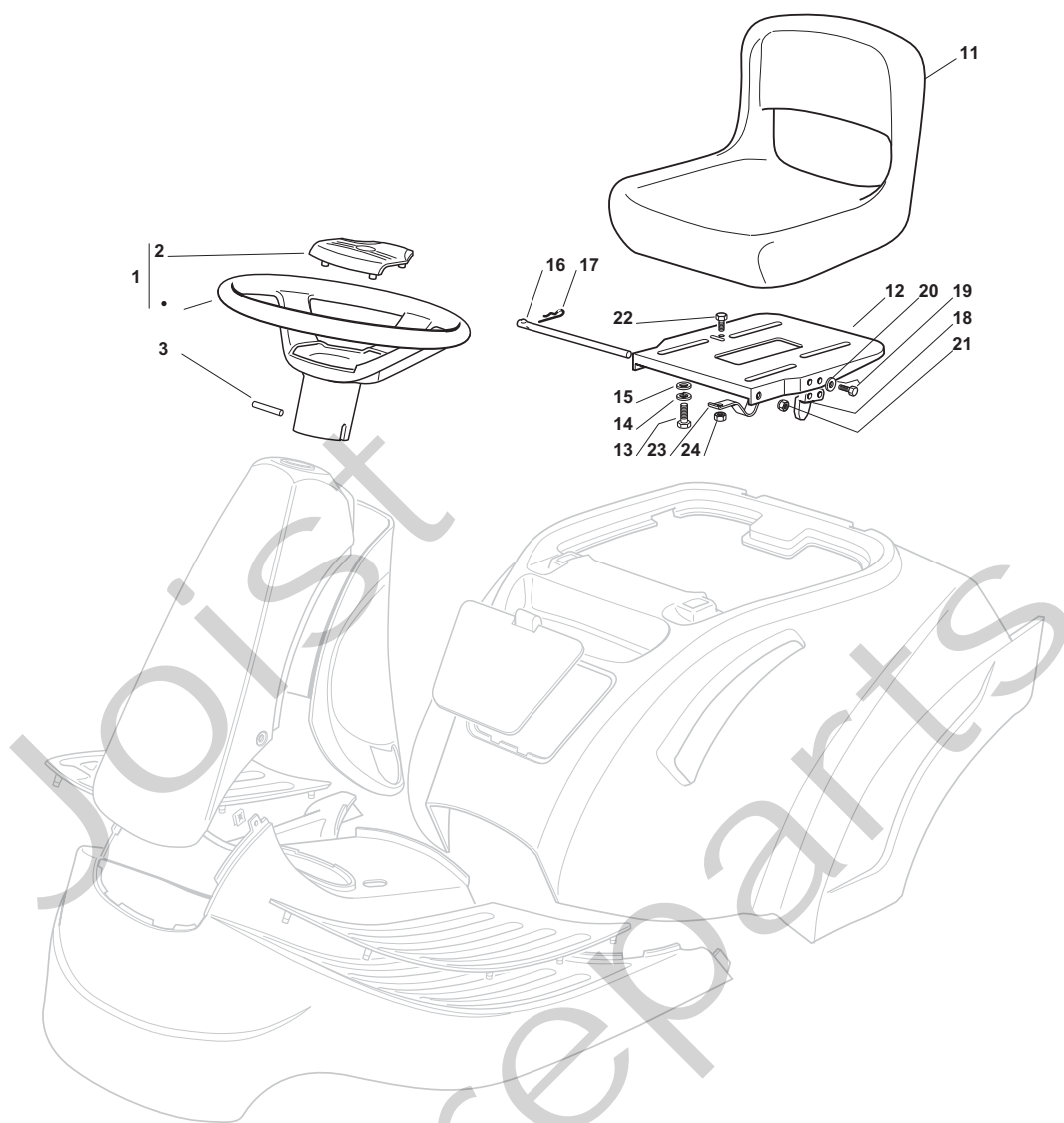
**Optionals On Request**

| POSITION | CODE        | QTY | DESCRIPTION            | NOTES   |
|----------|-------------|-----|------------------------|---------|
| 2        | 84598062/0  | 1   | Ejection Guard         |         |
| 3        | 27869053/0  | 1   | Support                |         |
| 4        | 18566113/0  | 2   | Cap                    |         |
| 5        | 12674701/0  | 2   | Screw                  |         |
| 6        | 12154510/0  | 2   | Nut                    |         |
| 7        | 25547053/0  | 1   | Plate                  |         |
| 8        | 12791500/0  | 1   | Screw                  |         |
| 9        | 12154510/0  | 1   | Nut                    |         |
| 10       | 25547049/0  | 2   | Plate                  |         |
| 11       | 12788910/0  | 4   | Screw                  |         |
| 12       | 12523020/0  | 4   | Washer                 |         |
| 13       | 12154320/0  | 4   | Nut                    |         |
| 14       | 25510022/0  | 2   | Pin                    |         |
| 15       | 24487998/0  | 2   | Cotter Pin             |         |
| 22       | 25519997/1  | 1   | Weight                 |         |
| 23       | 12760520/0  | 3   | Screw                  |         |
| 24       | 12155000/0  | 3   | Nut                    |         |
| 31       | 182180090/0 | 1   | Battery Charger        | CE plug |
| 31       | 182180091/0 | 1   | Battery Charger (U.K.) | UK plug |
| 42       | 27140055/0  | 1   | Deflector, Rear        |         |
| 43       | 27140054/0  | 1   | Deflector, Front       |         |
| 44       | 12818700/0  | 1   | Screw                  |         |
| 45       | 27047013/0  | 1   | Bushing                |         |
| 46       | 22672152/0  | 1   | Washer                 |         |
| 47       | 12155000/0  | 1   | Nut                    |         |
| 48       | 27394003/2  | 1   | Handle                 |         |
| 49       | 27510116/0  | 2   | Pin                    |         |
| 50       | 25430229/1  | 1   | Spring                 |         |
| 51       | 25280000/1  | 1   | Handgrip               |         |
| 52       | 25840011/1  | 1   | Elastic Tie-Rod        |         |
| 53       | 25253004/0  | 3   | Hook                   |         |



| Labels   |             |     |             |       |
|----------|-------------|-----|-------------|-------|
| POSITION | CODE        | QTY | DESCRIPTION | NOTES |
| 1        | 114357428/1 | 1   | Label       |       |
| 2        | 114357519/2 | 1   | Label       |       |
| 4        | 14357431/0  | 1   | Label       |       |
| 5        | 114357526/1 | 1   | Label       |       |
| 6        | 14357427/0  | 1   | Label       |       |
| 10       | 114356699/1 | 2   | Label       |       |
| 11       | 14360118/0  | 1   | Label       |       |

Joist  
Spareparts  
Joist



**Seat & Steering Wheel**

| POSITION | CODE       | QTY | DESCRIPTION    | NOTES |
|----------|------------|-----|----------------|-------|
| 1        | 25961209/0 | 1   | Steering Wheel |       |
| 2        | 25580501/0 | 1   | Cap            |       |
| 3        | 12620299/0 | 1   | Pin            |       |
| 11       | 27722480/0 | 1   | Seat           |       |
| 12       | 25547033/1 | 1   | Plate          |       |
| 13       | 12793101/0 | 4   | Screw          |       |
| 14       | 12583500/0 | 4   | Grower         |       |
| 15       | 12523060/0 | 4   | Washer         |       |
| 16       | 27864052/0 | 1   | Pin            |       |
| 17       | 24487997/0 | 1   | Cotter Pin     |       |
| 18       | 27063021/1 | 1   | Cam            |       |
| 19       | 12789100/0 | 2   | Screw          |       |
| 20       | 12523020/0 | 2   | Washer         |       |
| 21       | 12154330/0 | 2   | Nut            |       |
| 22       | 25430223/2 | 1   | Spring         |       |
| 23       | 12789000/0 | 1   | Screw          |       |
| 24       | 12154330/0 | 1   | Nut            |       |