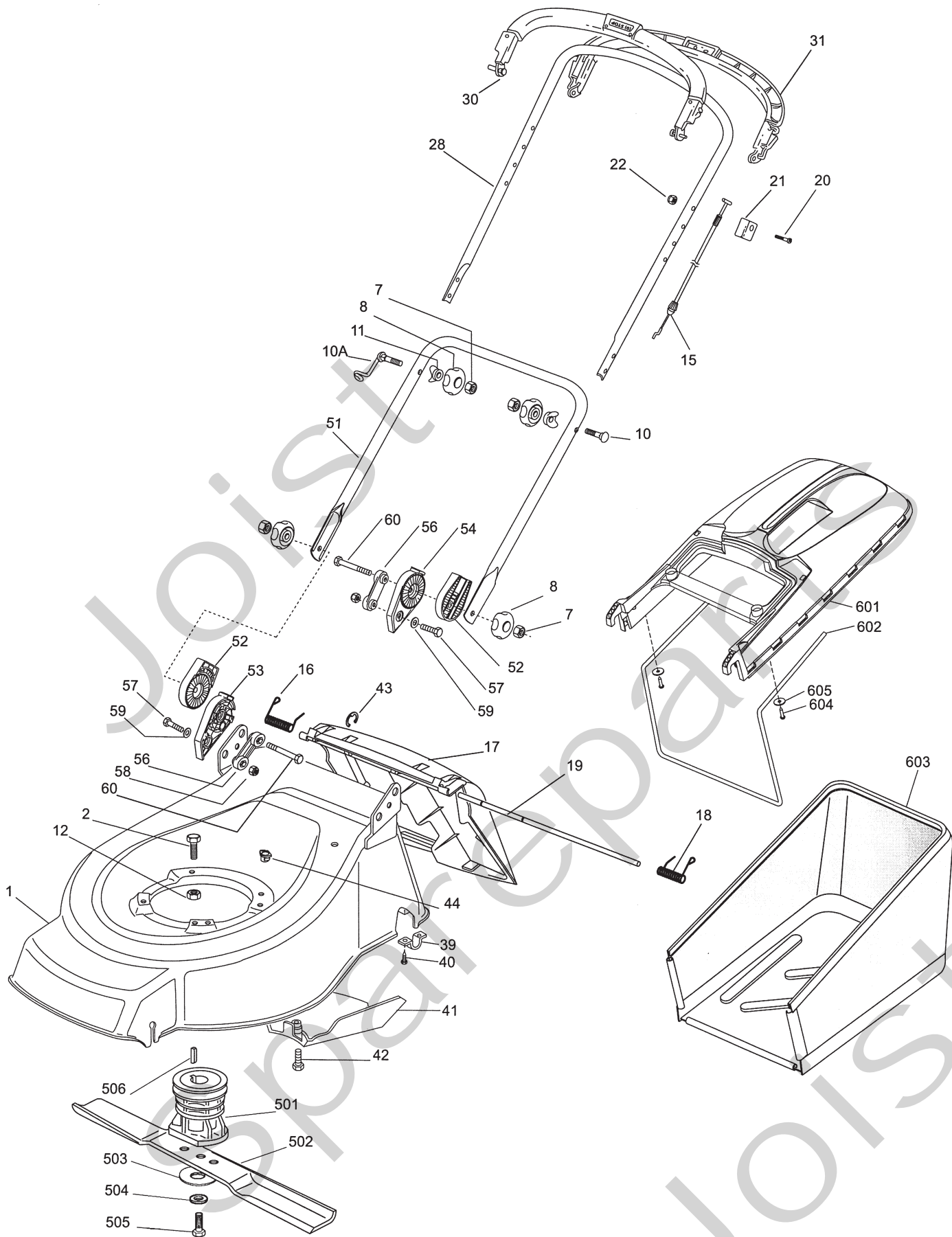


Genuine Spare Parts



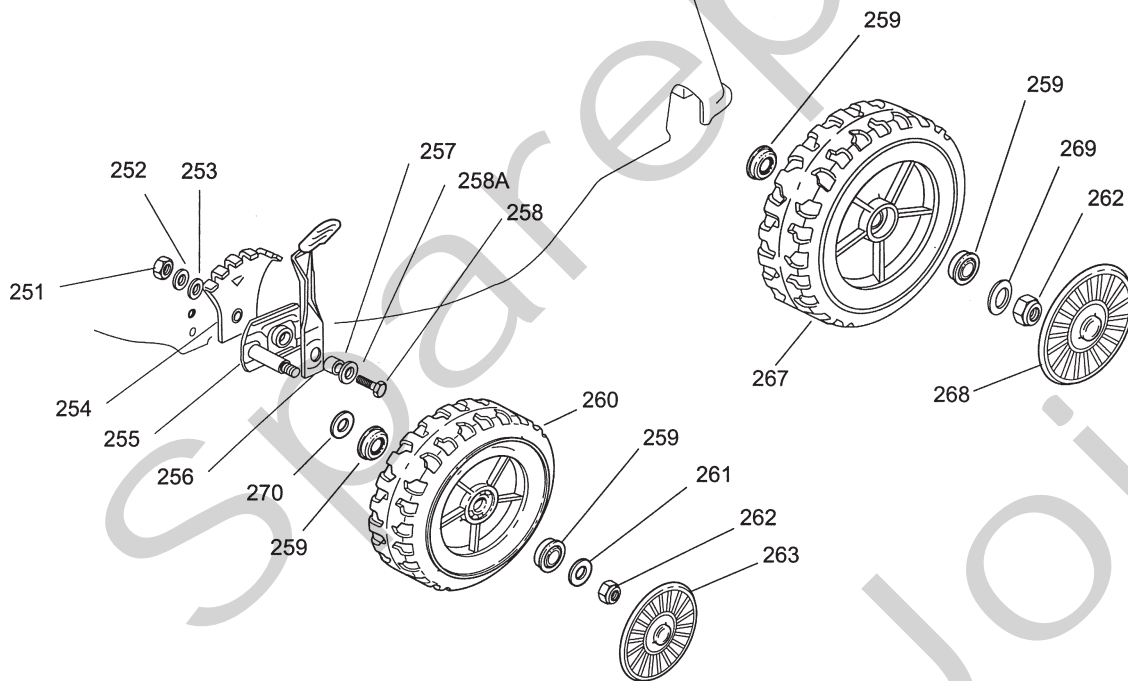
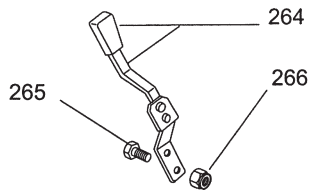
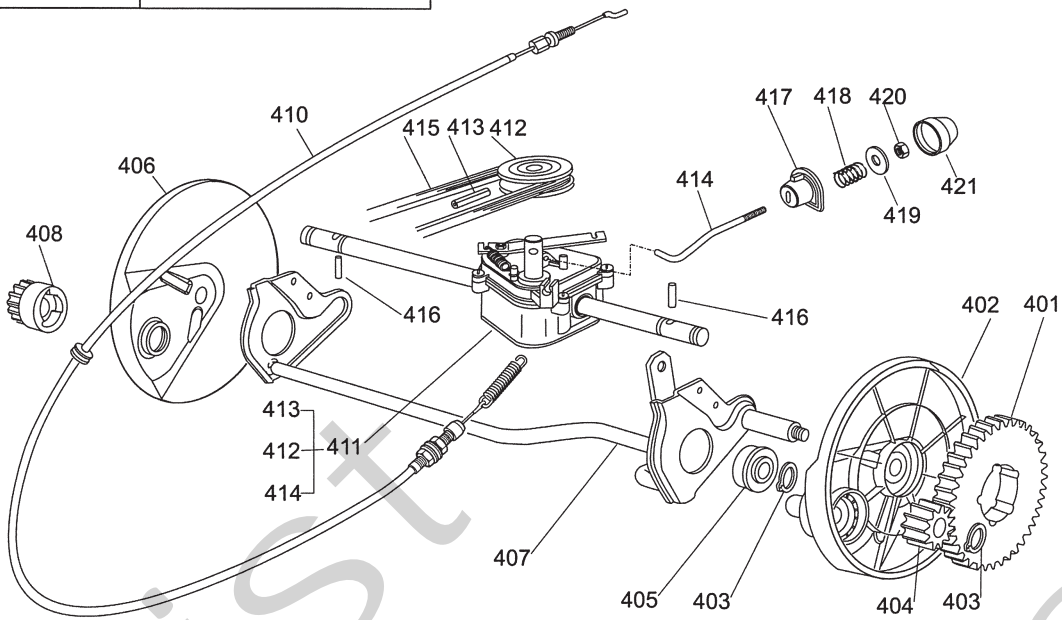
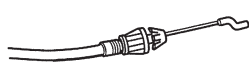
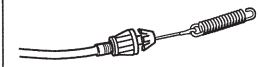
Joist
Spareparts
Joist



Utgåva Issue		Bildnr Picture No		46 PD- 51 PD CHASSI STYRE		46 PD- 51 PD CHASSIS HANDLE		Sida Page
2005- 12		1724A						116
Pos. Fig.	Antal/Quantity			Art nr Part No	Benämning	Description	Sats Kit	Anmärkning Notes
	3981 -14	5386 -14						
X	1	1		1136-1891-01	Chassi- gul.....	Deck- yellow.....		
X	1		1	1136-1892-01	Chassi- gul.....	Deck- yellow.....		
	2	3/2	3/2	9997-0830-16	Skruv.....	Screw.....		L = 30 mm
	2	0/1	0/1	9997-0860-16	Skruv.....	Screw.....		L = 60 mm
	7	2	2	9799-0831-02	Mutter.....	Nut.....		
	8	2	2	1117-3194-01	Låsratt.....	Locking knob.....		
	10	1	1	1136-0620-01	Skruv.....	Screw.....		
	10A	1	1	1136-0747-01	Skruv m. ögla.....	Screw w. loop.....		
	11	2	2	1136-0693-01	Bricka.....	Washer.....		
	12	3/2	3/2	9739-0831-22	Mutter.....	Nut.....		
	12	0/1	0/1	9747-0831-02	Mutter.....	Lock nut.....		
X	15	1	1	1136-1838-01	Motorbromswire.....	Engine brake cable.....		
	16	1	1	1111-3530-01	Fjäder- hö.....	Spring- RH.....		
	17	1	1	1136-1348-01	Lucka- gul.....	Flap- yellow.....		
	18	1	1	1111-3531-01	Fjäder- vä.....	Spring- LH.....		
	19	1	1	1136-0680-01	Pivotaxel.....	Pivot pin.....		
	20	1	1	9997-0640-12	Skruv.....	Screw.....		
	21	1	1	1111-2969-01	Wirefäste.....	Cable attachment.....		
	22	1	1	9747-0631-02	Låsmutter.....	Lock nut.....		
	28	1	1	1136-1519-01	Styre- överdel.....	Handle- upper.....		
	30	1	1	1111-2953-01	Manöverbygel.....	Control handle.....		
	31	1	1	1111-2954-01	Manöverbygel.....	Control handle.....		
	39	2	2	1136-0682-01	Bygel.....	Plate.....		
	40	4	4	9847-8119-16	Skruv.....	Screw.....		
	41	1	1	1136-0644-01	Remskydd.....	Belt guard.....		
	42	1	1	1136-0614-01	Skruv.....	Screw.....		
	43	1	1	9652-0006-04	Spårryttare.....	Circlip.....		
	44	1	1	1136-0665-01	Gummihylsa.....	Rubber insert.....		
	51	1	1	1136-1518-01	Styre- underdel.....	Handle- lower.....		
	52	2	2	1136-0698-01	Stöd- yttre.....	Support- external.....		
	53	1	1	1136-0699-01	Stöd- inre, hö.....	Support- internal, RH.....		
	54	1	1	1136-0700-01	Stöd- inre, vä.....	Support- internal, LH.....		
	56	2	2	1136-0683-01	Platta- inre.....	Plate- inside.....		
	57	2	2	9997-0830-16	Skruv.....	Screw.....		
	58	2	2	9747-0831-02	Mutter.....	Lock nut.....		
	59	2	2	9699-0028-02	Planbricka.....	Flat washer.....		
	60	2	2	1136-0613-01	Skruv.....	Screw.....		
	501	1	1	1111-9120-01	Knivfäste m.remskiva.....	Hub w. pulley.....		
	502	1		1111-9121-01	Kniv.....	Blade.....		
	502		1	1111-9122-01	Kniv.....	Blade.....		
	503	1	1	1136-0083-01	Fjäderbricka.....	Elastic washer.....		
	504	1	1	1136-0015-01	Bricka.....	Washer.....		
	505	1	1	9987-5251-12	Skruv.....	Screw.....		
	506	1	1	9600-0014-00	Kil.....	Key.....		
	601	1	1	1136-1345-01	Uppsamlare- överdel.....	Grass box- upper.....		
	602	1	1	1136-1349-01	Trådbygel.....	Wire frame.....		
	603	1	1	1136-1367-01	Uppsamlingskorg.....	Grass bag.....		
	604	2	2	9836-9525-12	Skruv.....	Screw.....		
	605	2	2	9699-0085-02	Planbricka.....	Flat washer.....		

410 FRANCE REDUCTEURS

410 BI. CI. DI.



Utgåva Issue		Bildnr Picture No		46 PD- 51 PD TRANSMISSION HJULUPPHÄNGNING		46 PD- 51 PD TRANSMISSION WHEEL SUSPENSION		Sida Page
2005- 12		1725A						118
Pos. Fig.	Antal/Quantity			Art nr Part No	Benämning	Description	Sats Kit	Anmärkning Notes
	3981 -14	5386 -14						
X	251	2	2	9799-0831-02	Mutter.....	Nut.....		
X	252	2	2	9683-0030-02	Låsbricka.....	Lock washer.....		
X	253	2	2	1136-0014-01	Bricka.....	Washer.....		
X	254	1	1	1136-1888-01	Höjdinst.sektor- vä.....	Height adj sector- LH.....		
X	254	1	1	1136-1889-01	Höjdinst.sektor- hö.....	Height adj sector- RH.....		
X	255	2	2	1136-0754-01	Hjulstöd.....	Wheel support.....		
X	256	2	2	1136-1890-01	Höjdinställn.spak.....	Height adjust lever.....		
	257	2	2	1136-0084-01	Distans.....	Spacer.....		
	258	2	2	9997-0830-16	Skruv.....	Screw.....		
	258 A	2	2	9699-0028-02	Planbricka.....	Flat washer.....		
	259	8	8	1136-0655-01	Kullager.....	Ball bearing.....		
	260	2	2	1136-1520-01	Hjul.....	Wheel.....		
	261	2	2	9699-0028-02	Planbricka.....	Flat washer.....		
	262	4	4	9747-0831-02	Mutter.....	Lock nut.....		
	263	2	2	1136-1508-01	Navkapsel- grå.....	Hub cap- grey.....		
	264	1	1	1136-0742-01	Höjdinställningsspak.....	Height adjust lever.....		
	265	2	2	9997-0512-16	Skruv.....	Screw.....		
	266	2	2	9747-0531-02	Mutter.....	Nut.....		
	267	2	2	1136-0772-01	Hjul.....	Wheel.....		
	268	2	2	1136-1509-01	Navkapsel- grå.....	Hub cap- grey.....		
	269	2	2	1136-0006-01	Fjäderbricka.....	Elastic washer.....		
	270	2	2	1136-0609-01	Fjäderbricka.....	Elastic washer.....		
	401	2	2	1136-0653-01	Kuggkrans.....	Ring gear.....		
	402	1	1	1136-0690-01	Hjulskydd- vä.....	Wheel protection- LH.....		
	403	4	4	9650-0012-04	Seegersäkkring.....	Circlip.....		
	404	1	1	1136-0685-01	Drev- vä.....	Pinion- LH.....		
	405	2	2	1136-0632-01	Lager.....	Bearing.....		
	406	1	1	1136-0689-01	Hjulskydd- hö.....	Wheel protection- RH.....		
	407	1	1	1136-0713-01	Bakaxel.....	Rear wheel axle.....		
	408	1	1	1136-0684-01	Drev- hö.....	Pinion- RH.....		
	410	1	1	1136-1455-01	Kopplingswire.....	Clutch cable.....		Bi.Ci.Di
	410	1	1	1136-1459-01	Kopplingswire.....	Clutch cable.....		France Reducteurs
	411	1	1	1136-1456-01	Transmission kpl (sv).....	Gearbox assy (black).....		France Reducteurs
	411	1	1	1136-1457-01	Transmission kpl (grå).....	Gearbox assy (grey).....		Bi.Ci.Di
	412	1	1	1136-0692-01	• Remskiva.....	• Pulley.....		
	413	1	1	1136-0612-01	• Stift.....	• Pin.....		
	414	1	1	1136-0633-01	• Justerstång.....	• Adjustment rod.....		Bi.Ci.Di
	414	1	1	1136-1454-01	• Justerstång.....	• Adjustment rod.....		France Reducteurs
	415	1	1	1111-9123-01	Drivrem.....	Drive belt.....		
	416	2	2	1136-0697-01	Stift.....	Pin.....		
	417	1	1	1136-0638-01	Bussning.....	Bush.....		
	418	1	1	1136-0668-01	Fjäder.....	Spring.....		
	419	1	1	1136-0091-01	Bricka.....	Washer.....		
	420	1	1	9747-0631-02	Låsmutter.....	Lock nut.....		
	421	1	1	1136-0081-01	Navkapsel.....	Hub cap.....		