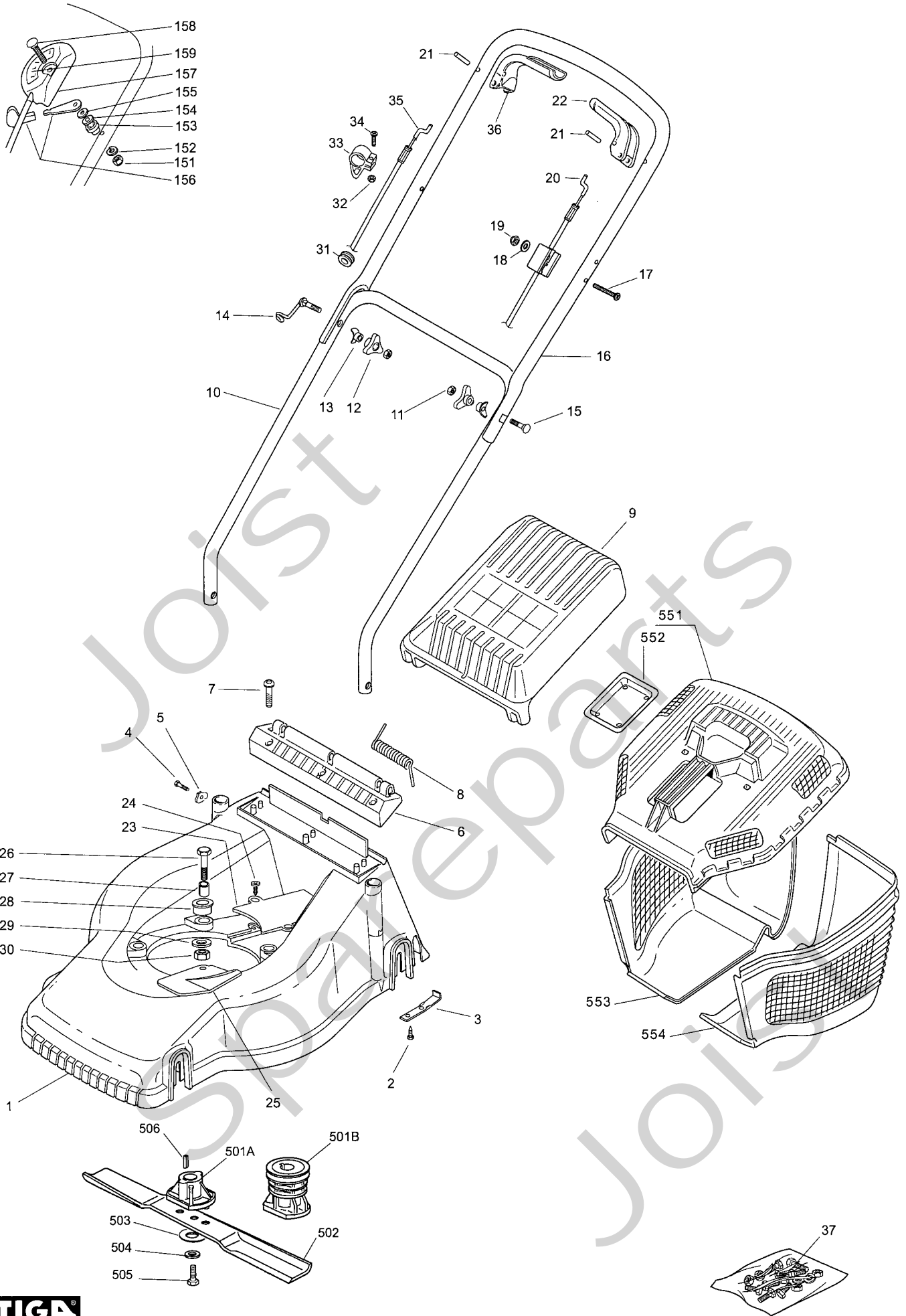


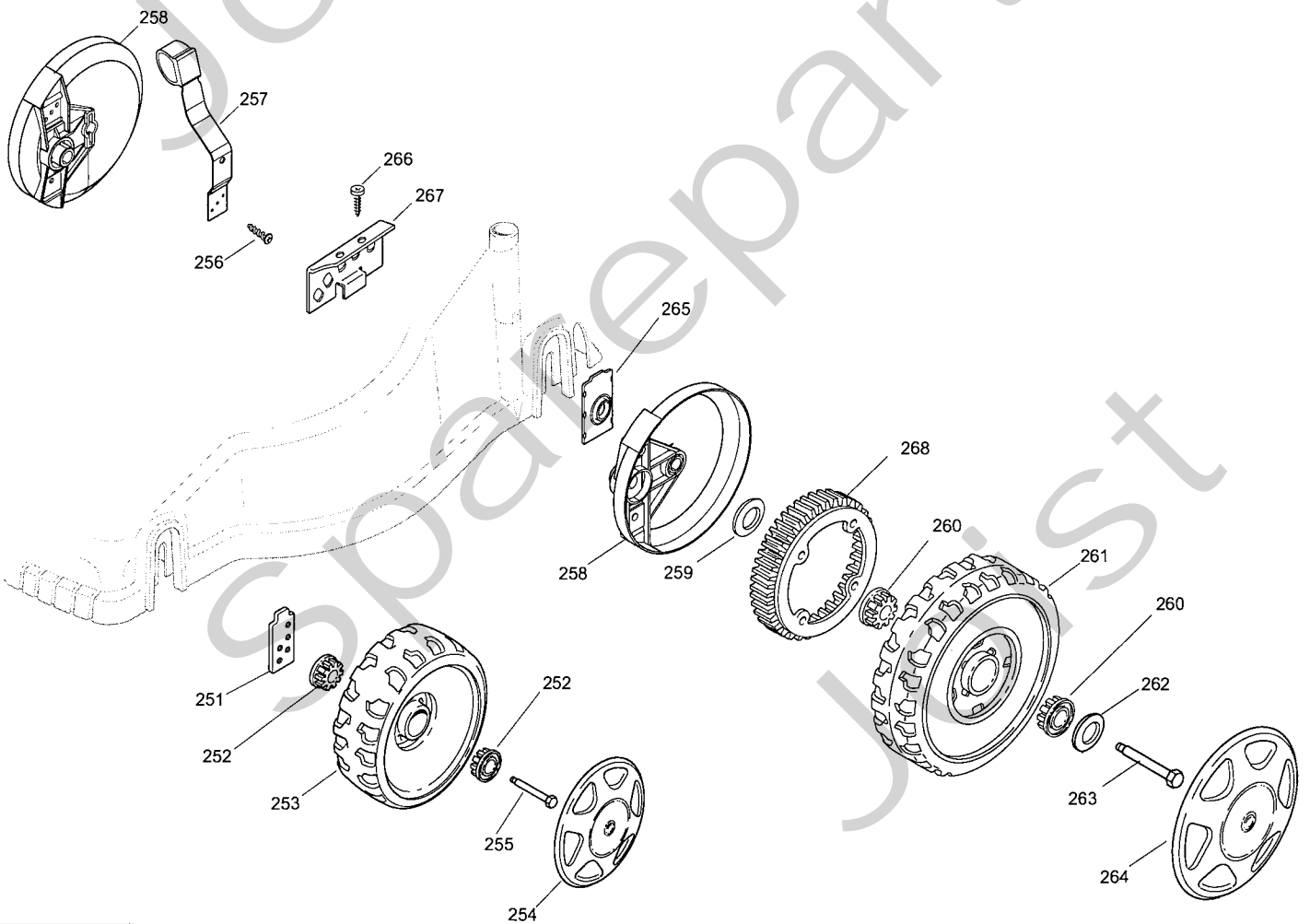
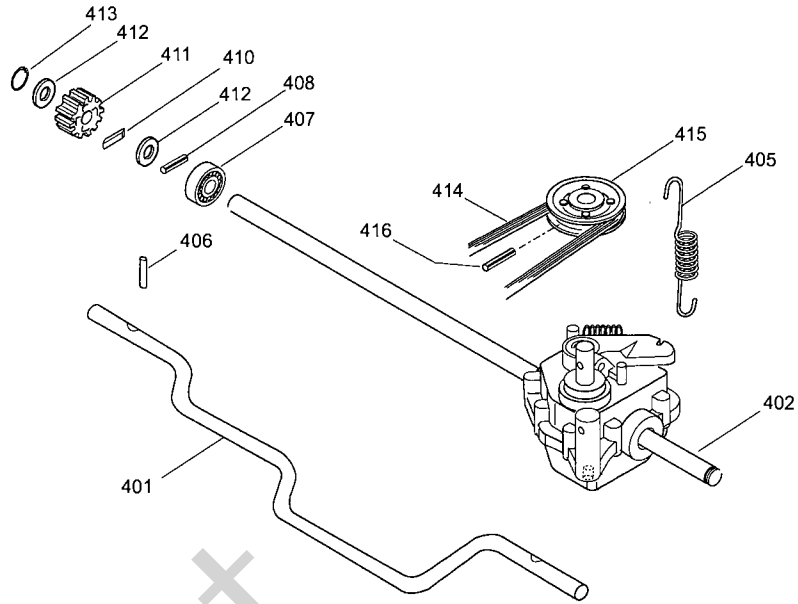
Genuine Spare Parts



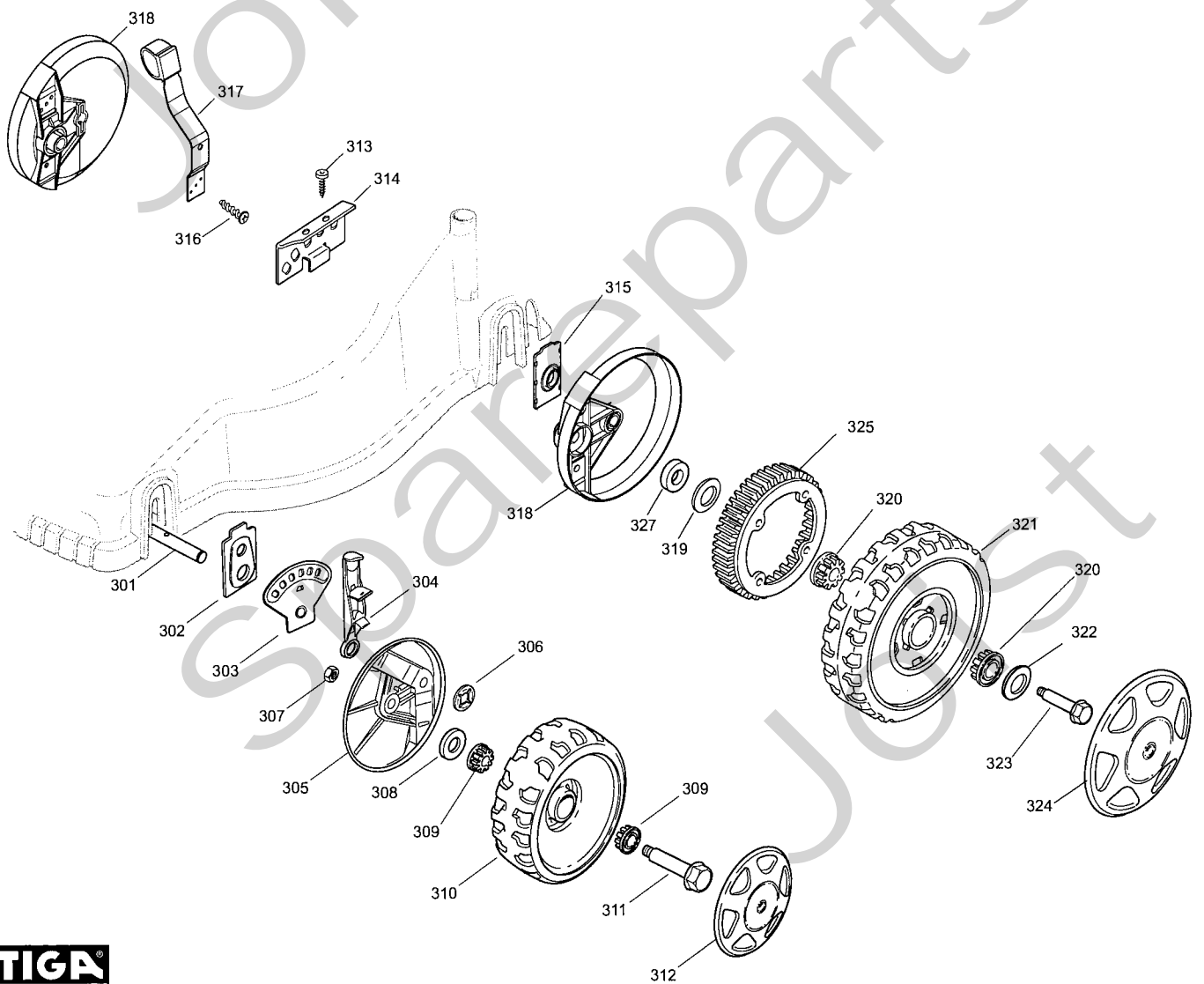
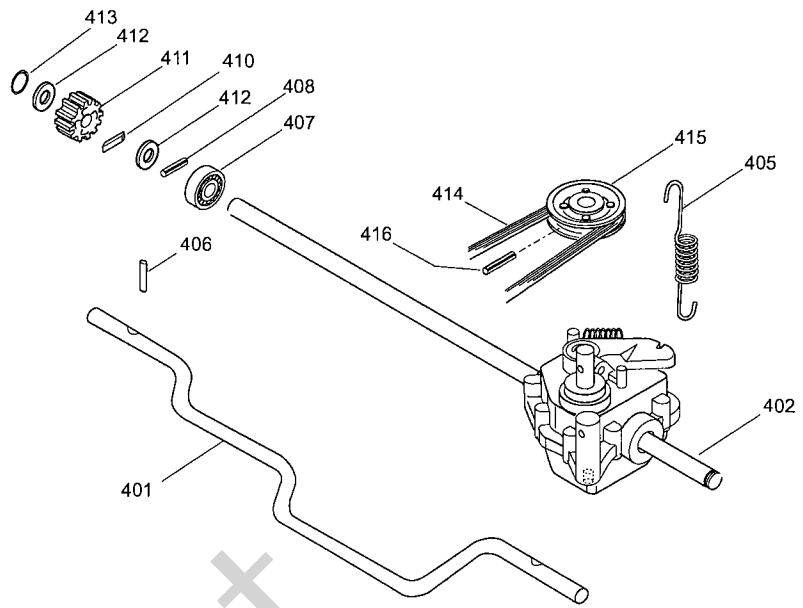
Joist
Spareparts
Joist



Utgåva Issue		Bildnr Picture No		COLLECTOR 43 COLLECTOR 43S CHASSI STYRE	COLLECTOR 43 COLLECTOR 43S CHASSIS HANDLE	Sida Page	
2006-12		1902				62	
Pos. Fig.	Antal/Quantity		Art nr Part No	Benämning	Description	Sats Kit	Anmärkning Notes
	2134 -12 -62	2334 -12 -62					
1	1	1	1136-1866-01	Chassi-gul.....	Chassis- yellow		
2	4	4	9836-9525-12	Skruv.....	Screw.....		
3	2	2	1136-1871-01	Förstärkning-bak.....	Reinforcement- rear		
4	2	2	1136-1418-01	Skruv.....	Screw.....		
5	2	2	1111-3136-02	Bricka.....	Washer.....		
6	1	1	1136-1873-01	Luckfäste.....	Flap holder.....		
7	3	3	9836-9516-12	Skruv.....	Screw.....		
8	1	1	1111-2792-01	Fjäder.....	Spring.....		
9	1	1	1111-3282-01	Lucka-gul.....	Flap- yellow.....		
10	1	1	1136-1879-01	Styre- underdel.....	Handle- lower.....		
11	2	2	9799-0831-02	Mutter.....	Nut.....		
12	2	2	1136-0666-01	Lås ratt.....	Knob.....		
13	2	2	1136-0693-01	Bricka.....	Washer.....		
14	1	1	1136-0747-01	Skruv m. ögla.....	Screw w. loop.....		
15	1	1	1136-0620-01	Skruv.....	Screw.....		
16	1	1	1136-1413-01	Styre- överdel.....	Handlebar- upper part.....		
17	1	1	9997-0635-12	Skruv.....	Screw.....		
18	1	1	9699-0035-02	Planbricka.....	Flat washer.....		
19	1	1	9799-0631-02	Mutter.....	Nut.....		
20	1	1	1136-1876-01	Motorbromswire.....	Engine brake cable.....		
21	1	2	9595-0258-00	Spännstift.....	Locating pin.....		
22	1	1	1117-3221-01	Manöverbygel.....	OPC lever.....		
23	1	1	1136-1864-01	Remskydd.....	Belt protection.....		
24	2	2	9836-9516-12	Skruv.....	Screw.....		
25	1	1	1136-1869-01	Ljuddämparskydd.....	Muffler guard.....		
26	3	3	1136-1862-01	Skruv.....	Screw.....		
27	3	3	1136-1867-01	Distans.....	Spacer.....		
28	1	1	1136-1863-01	Bussning.....	Bushing.....		
29	3	3	1136-0014-01	Bricka.....	Washer.....		
30	3	3	9747-0831-02	Mutter.....	Lock nut.....		
31		1	1136-1399-01	Kabelhylsa.....	Cable protector.....		
32		1	9799-0631-02	Mutter.....	Nut.....		
33		1	1117-1114-01	Wirehållare.....	Support.....		
34		1	9865-0616-16	Skruv.....	Screw.....		
35		1	1136-1877-01	Kopplingswire.....	Clutch cable.....		
36		1	1117-3222-01	Manöverbygel.....	Control lever.....		
X 37	1		1136-2339-01	Skruvsats.....	Screw set.....		
X 37		1	1136-2340-01	Skruvsats.....	Screw set.....		12-2334-12
X 37	1	1	1136-2408-01	Skruvsats.....	Screw set.....		12-2134-62, 2334-62
151	1	1	1136-0604-01	Mutter.....	Nut.....		
152	1	1	1136-0611-01	Låsbricka.....	Grower.....		
153	1	1	1136-0659-01	Distans.....	Spacer.....		
154	1	1	9699-0035-02	Planbricka.....	Flat washer.....		
155	1	1	1136-0606-01	Fjäderbricka.....	Spring washer.....		
156	1	1	1136-0766-01	Gasreglagearm.....	Throttle lever.....		
157	1	1	1136-1861-01	Gaswire.....	Throttle cable.....		
158	1	1	1136-0618-01	Skruv.....	Screw.....		
159	1	1	1136-1857-01	Dekal.....	Label.....		
501 A	1		1136-0672-01	Knivfäste.....	Hub.....		
501 B		1	1111-9120-01	Knivfäste m. remskiva.....	Hub w. pulley.....		
X 502	1	1	1111-9142-01	Kniv.....	Blade.....		
503	1	1	1136-0083-01	Fjäderbricka.....	Elastic washer.....		
504	1	1	1136-0015-01	Bricka.....	Washer.....		
505	1	1	1136-0616-01	Bult.....	Screw.....		
506	1	1	9600-0014-00	Kil.....	Key.....		
551	1	1	1117-1345-01	Uppsamlarlock- gul.....	Top collector- yellow.....		
552	1	1	1111-2764-01	• Täckbricka.....	• Cover.....		
553	1	1	1111-3116-01	Uppsamlare u- del hö.....	Collector- lower part.....		
554	1	1	1111-3106-01	Uppsamlare u- del vä.....	Collector- lower part.....		



Utgåva Issue		Bildnr Picture No		COLLECTOR 43S HJULUPPHÅNGNING TRANSMISSION		COLLECTOR 43S WHEEL SUSPENSION TRANSMISSION		Sida Page	
2006-12		2108						66	
Pos. Fig.	Antal/Quantity			Art nr Part No	Benämning	Description	Sats Kit	Anmärkning Notes	
	2334 -12								
X	251	2		1111-2767-02	Fästbleck	Wheel plate			
X	252	4		1136-2263-01	Bussning	Bushing			
X	253	2		1136-2014-01	Hjul	Wheel			
X	254	2		1136-1894-01	Navkapsel- gul	Hub cap- yellow			
X	255	2		1136-2309-01	Bult	Bolt			
X	256	2		9836-9512-12	Skruv	Screw			
X	257	1		1117-1174-01	Höjdinställningsspak	Height adjust lever			
X	258	2		1117-3256-01	Hjulsköld	Wheel protection cap			
X	259	2		9699-0037-02	Bricka	Washer			
X	260	4		1136-0634-01	Bussning	Bush			
X	261	2		1136-2037-01	Hjul	Wheel			
X	262	2		9699-0085-02	Planbricka	Flat washer			
X	263	2		1136-1397-01	Skruv	Screw			
X	264	2		1136-0646-01	Navkapsel- gul	Hub cap- yellow			
X	265	2		1136-1870-01	Hjulplåt	Wheel plate			
X	266	2		9836-9525-12	Skruv	Screw			
X	267	1		1136-1872-01	Höjdinställn.sektor	Height adjust sector			
X	268	2		1136-2035-01	Kuggkrans	Sprocket			
X	401	1		1136-2261-01	Bakaxel	Rear axle			
X	402	1		1136-2332-01	Transmission	Transmission			
X	405	1		1136-1868-01	Fjäder	Spring			
X	406	2		9595-0212-00	Spännstift	Locating pin			
X	407	2		1136-0655-01	Kullager	Ball bearing			
X	408	2		9591-0011-00	Stift	Pin			
X	410	2		1111-3256-01	Drivkil	Drive key			
X	411	2		1111-3075-01	Kughjul- plasthjul	Pinion- plastic wheel			
X	412	4		1111-2830-01	Stödbricka	Support washer			
X	413	2		1117-1083-01	Låsring	Safety ring			
X	414	1		1111-9123-01	Drivrem	Drive belt			
X	415	1		1136-0692-01	Remskiva	Pulley			
X	416	1		1136-0612-01	Stift	Pin			



Utgåva Issue 2006-12	Bildnr Picture No 2109	COLLECTOR 43S HJULUPPHÄNGNING TRANSMISSION	COLLECTOR 43S WHEEL SUSPENSION TRANSMISSION	Sida Page 68
----------------------------	------------------------------	--	---	--------------------

Pos. Fig.	Antal/Quantity				Art nr Part No	Benämning	Description	Sats Kit	Anmärkning Notes
	2334 -62								
	301	1			1117-1380-01	Hjulaxel.....	Wheel shaft.....		
	302	2			1117-1379-01	Hjulplåt.....	Wheel plate.....		
	303	2			1117-1382-01	Segmentplåt.....	Sector.....		
	304	2			1117-1228-01	Inställningsspak.....	Adjusting lever.....		
	305	2			1117-1376-01	Hjulsköld.....	Wheel lever.....		
	306	2			1117-1356-01	Låsbricka.....	Lock washer.....		
	307	2			9747-0831-02	Mutter.....	Lock nut.....		
	308	2			1136-0309-01	Bricka.....	Washer.....		
	309	4			1136-0634-01	Bussning.....	Bush.....		
X	310	2			1136-2014-01	Hjul.....	Wheel.....		
X	311	2			1136-2041-01	Hjulbult.....	Wheel axle bolt.....		
	312	2			1136-1894-01	Navkapsel- gul.....	Hub cap-yellow.....		
	313	2			9836-9525-12	Skruv.....	Screw.....		
	314	1			1136-1872-01	Höjdinställn.sektor.....	Height adjust sector.....		
	315	2			1136-1870-01	Hjulplåt.....	Wheel plate.....		
	316	2			9836-9512-12	Skruv.....	Screw.....		
	317	1			1117-1174-01	Höjdinställningsspak.....	Height adjust lever.....		
	318	2			1117-3256-01	Hjulsköld.....	Wheel protection cap.....		
	319	2			9699-0037-02	Bricka.....	Washer.....		
	320	4			1136-0634-01	Bussning.....	Bush.....		
X	321	2			1136-2037-01	Hjul.....	Wheel.....		
	322	2			9699-0085-02	Planbricka.....	Flat washer.....		
	323	2			1136-1397-01	Skruv.....	Screw.....		
	324	2			1136-0646-01	Navkapsel- gul.....	Hub cap-yellow.....		
X	325	2			1136-2035-01	Kuggkrans.....	Sprocket.....		
X	327	2			1136-2040-01	Distans.....	Spacer.....		
X	401	1			1136-2261-01	Bakaxel.....	Rear axle.....		
X	402	1			1136-2332-01	Transmission.....	Transmission.....		
	405	1			1136-1868-01	Fjäder.....	Spring.....		
	406	2			9595-0212-00	Spännstift.....	Locating pin.....		
	407	2			1136-0655-01	Kullager.....	Ball bearing.....		
	408	2			9591-0011-00	Stift.....	Pin.....		
	410	2			1111-3256-01	Drivkil.....	Drive key.....		
	411	2			1111-3075-01	Kugghjul- plasthjul.....	Pinion- plastic wheel.....		
	412	4			1111-2830-01	Stödbricka.....	Support washer.....		
	413	2			1117-1083-01	Låsring.....	Safety ring.....		
	414	1			1111-9123-01	Drivrem.....	Drive belt.....		
	415	1			1136-0692-01	Remskiva.....	Pulley.....		
	416	1			1136-0612-01	Stift.....	Pin.....		