

Genuine Spare Parts

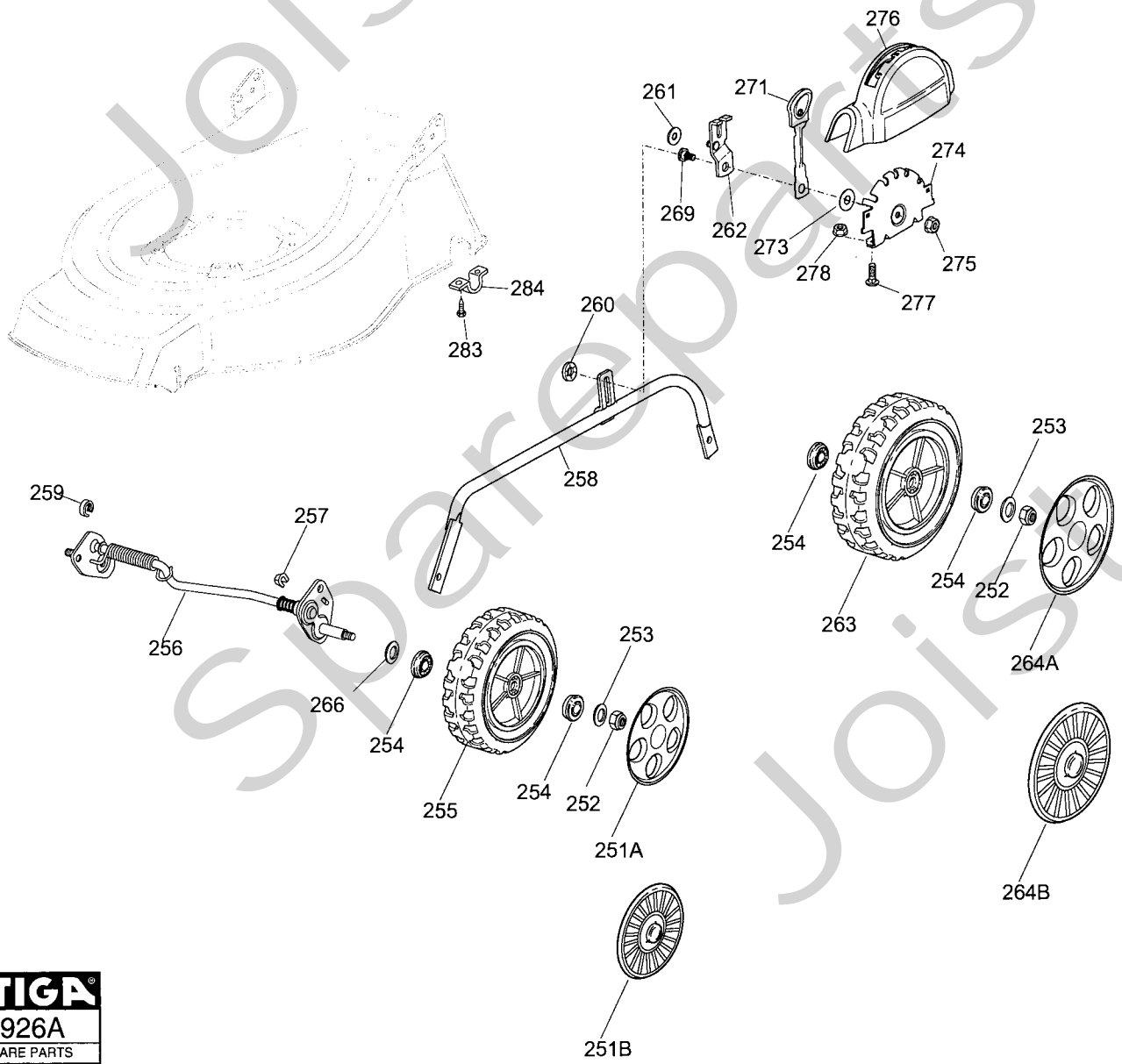
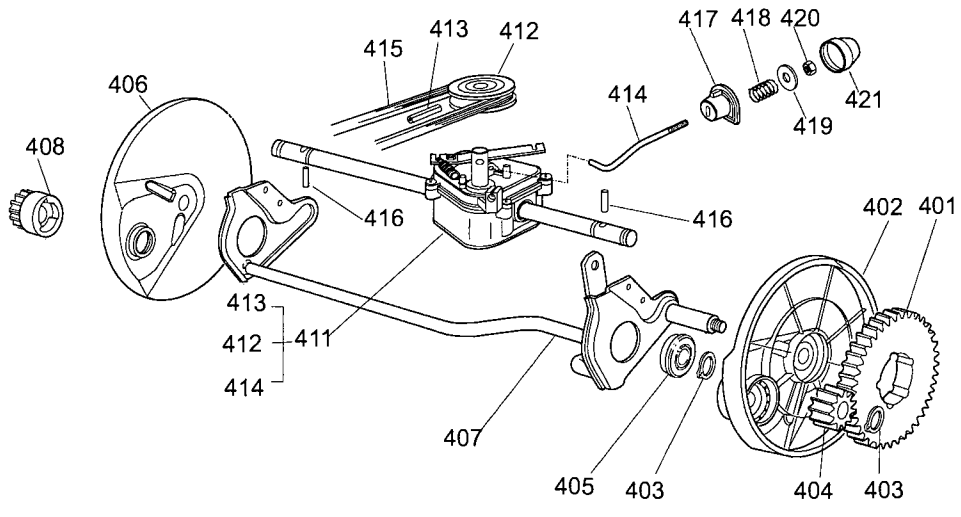


Joist
Spareparts
Joist

| | | | | |
|----------------------------|-------------------------------|------------------------------------------------------|--------------------------------------------------------|---------------------|
| Utgåva Issue 2006-12 | Bildnr Picture No 1924A | TURBO 47 COMBI TURBO 47S COMBI CHASSI STYRE | TURBO 47 COMBI TURBO 47S COMBI CHASSIS HANDLE | Sida Page 120 |
|----------------------------|-------------------------------|------------------------------------------------------|--------------------------------------------------------|---------------------|

| Pos. Fig. | Antal/Quantity | | | | Art nr Part No | Benämning | Description | Sats Kit | Anmärkning Notes |
|--------------|----------------|-------------|-------------|-------------|-------------------|------------------------------|-----------------------------|-------------|---------------------|
| | 7134 -15 | 7181 -95 | 7234 -15 | 7281 -95 | | | | | |
| 1 | 1 | 1 | 1 | 1 | 1136-1902-01 | Kåpa | Deck | | L = 30 mm |
| 2 | 3 | 3 | 3 | 3 | 9997-0830-16 | Skruv | Screw | | |
| 3 | 3 | 3 | 3 | 3 | 9739-0831-22 | Mutter | Nut | | |
| 4 | 1 | 1 | 1 | 1 | 1136-0665-01 | Gummihylsa | Rubber insert | | |
| 11 | 2 | 2 | 2 | 2 | 9747-0831-02 | Mutter | Lock nut | | |
| 12 | 4 | 4 | 4 | 4 | 1111-3554-01 | Bussning | Bushing | | |
| 13 | 2 | 2 | 2 | 2 | 9997-0816-16 | Skruv | Screw | | |
| 14 | 2 | 2 | 2 | 2 | 1136-0617-01 | Skruv | Screw | | |
| 15 | 4 | 4 | 4 | 4 | 1117-3194-01 | Låsrott | Locking knob | | |
| 16 | 4 | 4 | 4 | 4 | 9799-0831-02 | Mutter | Nut | | |
| 17 | 2 | 2 | 2 | 2 | 1136-0693-01 | Bricka | Washer | | |
| 18 | 1 | 1 | 1 | 1 | 1136-1193-01 | Styre- underdel | Handle- lower | | |
| 19 | 1 | 1 | 1 | 1 | 1136-0747-01 | Skruv m. ögla | Screw w. loop | | |
| 20 | 1 | 1 | 1 | 1 | 1136-0620-01 | Skruv | Screw | | |
| 21 | 1 | 1 | 1 | 1 | 1136-1519-01 | Styre- överdel | Handle- upper | | |
| 22 | 1 | 1 | 1 | 1 | 1111-2953-01 | Manöverbygel | Control handle | | |
| 23 | 1 | 1 | 1 | 1 | 9997-0640-12 | Skruv | Screw | | |
| 24 | 1 | 1 | 1 | 1 | 1111-2969-01 | Wirefäste | Cable attachment | | |
| 25 | 1 | 1 | 1 | 1 | 1136-1838-01 | Motorbromswire | Engine brake cable | | |
| 25 | 1 | 1 | 1 | 1 | 1136-2422-01 | Motorbromswire | Engine brake cable | | |
| 26 | 1 | 1 | 1 | 1 | 9747-0631-02 | Låsmutter | Lock nut | | |
| 27 | | | 1 | 1 | 1136-1839-01 | Kopplingswire | Clutch cable | | |
| 28 | | | 1 | 1 | 1111-2954-01 | Manöverbygel | Control handle | | |
| 31 | 1 | 1 | 1 | 1 | 1111-3283-01 | Lucka- gul | Flap- yellow | | |
| 32 | 1 | 1 | 1 | 1 | 1111-2792-01 | Fjäder | Spring | | |
| 33 | 3 | 3 | 3 | 3 | 9836-9525-12 | Skruv | Screw | | |
| 34 | 1 | 1 | 1 | 1 | 1136-0703-01 | Luckhållare- gul | Fulcrum- yellow | | |
| 35 | 1 | 1 | 1 | 1 | 1136-1899-01 | Faste | Holder | | |
| 36 | 3 | 3 | 3 | 3 | 1136-1458-01 | Skruv | Screw | | |
| 41 | 1 | 1 | 1 | 1 | 1136-1904-01 | Frontskydd | Front guard | | |
| 42 | 1 | 1 | 1 | 1 | 1136-1897-01 | Sidoskydd- hö | Side guard- RH | | |
| 43 | 1 | 1 | 1 | 1 | 1136-1898-01 | Sidoskydd- vä | Side guard- LH | | |
| 44 | 1 | 1 | 1 | 1 | 1136-1900-01 | Stöd | Support | | |
| 45 | 2 | 2 | 2 | 2 | 1136-1895-01 | Skruv | Screw | | |
| 46 | 3 | 3 | 3 | 3 | 1117-3226-01 | Skruv | Screw | | |
| 47 | 4 | 4 | 4 | 4 | 9699-0025-02 | Planbricka | Washer | | |
| 48 | 4 | 4 | 4 | 4 | 1136-1591-01 | Skruv | Screw | | |
| 151 | 1 | 1 | 1 | 1 | 1136-0604-01 | Mutter | Nut | | |
| 152 | 1 | 1 | 1 | 1 | 1136-0611-01 | Låsbricka | Grower | | |
| 153 | 1 | 1 | 1 | 1 | 1136-0659-01 | Distans | Spacer | | |
| 154 | 1 | 1 | 1 | 1 | 9699-0035-02 | Planbricka | Flat washer | | |
| 155 | 1 | 1 | 1 | 1 | 1136-0606-01 | Fjäderbricka | Spring washer | | |
| 156 | 1 | 1 | 1 | 1 | 1136-0766-01 | Gasreglagearm | Throttle lever | | |
| 157 | 1 | 1 | 1 | 1 | 1136-0764-01 | Gasreglagekabel | Throttle cable | | |
| 158 | 1 | 1 | 1 | 1 | 1136-0618-01 | Skruv | Screw | | |
| 159 | 1 | | 1 | | 1136-1857-01 | Dekal | Label | | |
| 159 | | 1 | | 1 | 1136-1884-01 | Dekal | Label | | |
| 231 | 1 | 1 | 1 | 1 | 1136-1338-01 | Mulcherplugg | Deflector | | |
| 232 | 1 | 1 | 1 | 1 | 1136-1329-01 | Skyddskåpa | Protection | | |
| 233 | 3 | 3 | 3 | 3 | 1136-0615-01 | Skruv | Screw | | |
| 501 A | 1 | 1 | | | 1136-0672-01 | Knivfäste | Hub | | |
| 501 B | | | 1 | 1 | 1111-9120-01 | Knivfäste m.remskiva | Hub w. pulley | | |
| 502 | 1 | 1 | 1 | 1 | 1111-9121-01 | Kniv | Blade | | |
| 503 | 1 | 1 | 1 | 1 | 1136-0083-01 | Fjäderbricka | Elastic washer | | |
| 504 | 1 | 1 | 1 | 1 | 1136-0015-01 | Bricka | Washer | | |
| 505 | 1 | 1 | 1 | 1 | 9987-5251-12 | Skruv | Screw | | |
| 506 | 1 | 1 | 1 | 1 | 9600-0014-00 | Kil | Key | | |
| 551 | 1 | 1 | 1 | 1 | 1111-2840-01 | Uppsammlarlock- gul | Top collector- yellow | | |
| 552 | 1 | 1 | 1 | 1 | 1111-2764-01 | • Täckbricka | • Cover | | |
| 561 | 2 | 2 | 2 | 2 | 9699-0100-02 | Bricka | Washer | | |
| 562 | 2 | 2 | 2 | 2 | 9838-9522-12 | Skruv | Screw | | |
| 563 | 1 | 1 | 1 | 1 | 1111-2843-01 | Trådbygel | Wire clamp | | |
| 564 | 1 | 1 | 1 | 1 | 1111-2844-01 | Uppsamlingssäck- svart | Collecting bag- black | | |

X



| Utgåva Issue | | Bildnr Picture No | | TURBO 47S COMBI TRANSMISSION HJULUPPHÄNGNING | | TURBO 47S COMBI TRANSMISSION WHEEL SUSPENSION | | Sida Page | |
|-----------------|----------------|----------------------|-------------------|----------------------------------------------------|----------------------------|-----------------------------------------------------|---------------------|--------------|--|
| 2006- 12 | | 1926A | | | | | | 124 | |
| Pos. Fig. | Antal/Quantity | | Art nr Part No | Benämning | Description | Sats Kit | Anmärkning Notes | | |
| | 7234 -15 | 7281 -95 | | | | | | | |
| X | 251 A | 2 | | 1136-2423-01 | Navkapsel-grå..... | Hub cap-grey..... | | | |
| | 251 B | | 2 | 1136-1508-01 | Navkapsel-grå..... | Hub cap-grey..... | | | |
| | 252 | 4 | 4 | 9747-0831-02 | Mutter..... | Lock nut..... | | | |
| | 253 | 4 | 4 | 9699-0028-02 | Planbricka..... | Flat washer..... | | | |
| | 254 | 8 | 8 | 1136-0655-01 | Kullager..... | Ball bearing..... | | | |
| | 255 | 2 | 2 | 1136-1520-01 | Hjul..... | Wheel..... | | | |
| | 256 | 1 | 1 | 1136-1357-01 | Hjulaxel fram..... | Wheel axle-front..... | | | |
| | 257 | 2 | 2 | 1136-0009-01 | Låsplatta..... | Lock plate..... | | | |
| | 258 | 1 | 1 | 1136-1759-01 | Höjdinställn.stag..... | Height adjust rod..... | | | |
| | 259 | 1 | 1 | 1136-0658-01 | Distans..... | Spacer..... | | | |
| | 260 | 1 | 1 | 9675-0009-02 | Starlock..... | Starlock..... | | | |
| | 261 | 1 | 1 | 1136-0006-01 | Fjäderbricka..... | Elastic washer..... | | | |
| | 262 | 1 | 1 | 1136-1757-01 | Fäste..... | Attachment..... | | | |
| | 263 | 2 | 2 | 1136-0772-01 | Hjul..... | Wheel..... | | | |
| X | 264 A | 2 | | 1136-2333-01 | Navkapsel-grå..... | Hub cap-grey..... | | | |
| | 264 B | | 2 | 1136-1509-01 | Navkapsel-grå..... | Hub cap-grey..... | | | |
| | 266 | 4 | 4 | 1136-0609-01 | Fjäderbricka..... | Elastic washer..... | | | |
| | 269 | 1 | 1 | 1136-1732-01 | Ansatsbult..... | Shoulder bolt..... | | | |
| | 271 | 1 | 1 | 1136-1903-01 | Höjdinställn.spak..... | Height adjust lever..... | | | |
| | 273 | 1 | 1 | 1136-0089-01 | Bricka..... | Washer..... | | | |
| | 274 | 1 | 1 | 1136-1740-01 | Sektor..... | Height adjust sector..... | | | |
| | 275 | 1 | 1 | 9747-0831-02 | Mutter..... | Lock nut..... | | | |
| | 276 | | 1 | 1136-1896-01 | Kåpa-gul..... | Cover-yellow..... | | | |
| X | 276 | 1 | | 1136-2424-01 | Kåpa-gul..... | Cover-yellow..... | | | |
| | 277 | 2 | 2 | 9898-0616-16 | Skruv..... | Screw..... | | | |
| | 278 | 2 | 2 | 9799-0631-02 | Mutter..... | Nut..... | | | |
| | 283 | 4 | 4 | 9847-8119-16 | Skruv..... | Screw..... | | | |
| | 284 | 2 | 2 | 1136-0682-01 | Bygel..... | Plate..... | | | |
| | 401 | 2 | 2 | 1136-0653-01 | Kuggkrans..... | Ring gear..... | | | |
| | 402 | 1 | 1 | 1136-0690-01 | Hjulskydd..... | Wheel protection..... | | | |
| | 403 | 4 | 4 | 9650-0012-04 | Seegersäkkring..... | Circlip..... | | | |
| | 404 | 1 | 1 | 1136-0685-01 | Drev-vä..... | Pinion-LH..... | | | |
| | 405 | 2 | 2 | 1136-0632-01 | Lager..... | Bearing..... | | | |
| | 406 | 1 | 1 | 1136-0689-01 | Hjulskydd..... | Wheel protection..... | | | |
| | 407 | 1 | 1 | 1136-0713-01 | Bakaxel..... | Rear wheel axle..... | | | |
| | 408 | 1 | 1 | 1136-0684-01 | Drev-hö..... | Pinion-RH..... | | | |
| | 411 | 1 | 1 | 1136-1456-01 | Transmission kpl (sv)..... | Gearbox assy (black)..... | Inkl. pos 412 - 414 | | |
| | 412 | 1 | 1 | 1136-0692-01 | • Remskiva..... | • Pulley..... | | | |
| | 413 | 1 | 1 | 1136-0612-01 | • Stift..... | • Pin..... | | | |
| | 414 | 1 | 1 | 1136-1454-01 | • Justerstång..... | • Adjustment rod..... | | | |
| | 415 | 1 | 1 | 1111-9123-01 | Drivrem..... | Drive belt..... | | | |
| | 416 | 2 | 2 | 1136-0697-01 | Stift..... | Pin..... | | | |
| | 417 | 1 | 1 | 1136-0638-01 | Bussning..... | Bush..... | | | |
| | 418 | 1 | 1 | 1136-0668-01 | Fjäder..... | Spring..... | | | |
| | 419 | 1 | 1 | 1136-0091-01 | Bricka..... | Washer..... | | | |
| | 420 | 1 | 1 | 9747-0631-02 | Låsmutter..... | Lock nut..... | | | |
| | 421 | 1 | 1 | 1136-0081-01 | Navkapsel..... | Hub cap..... | | | |