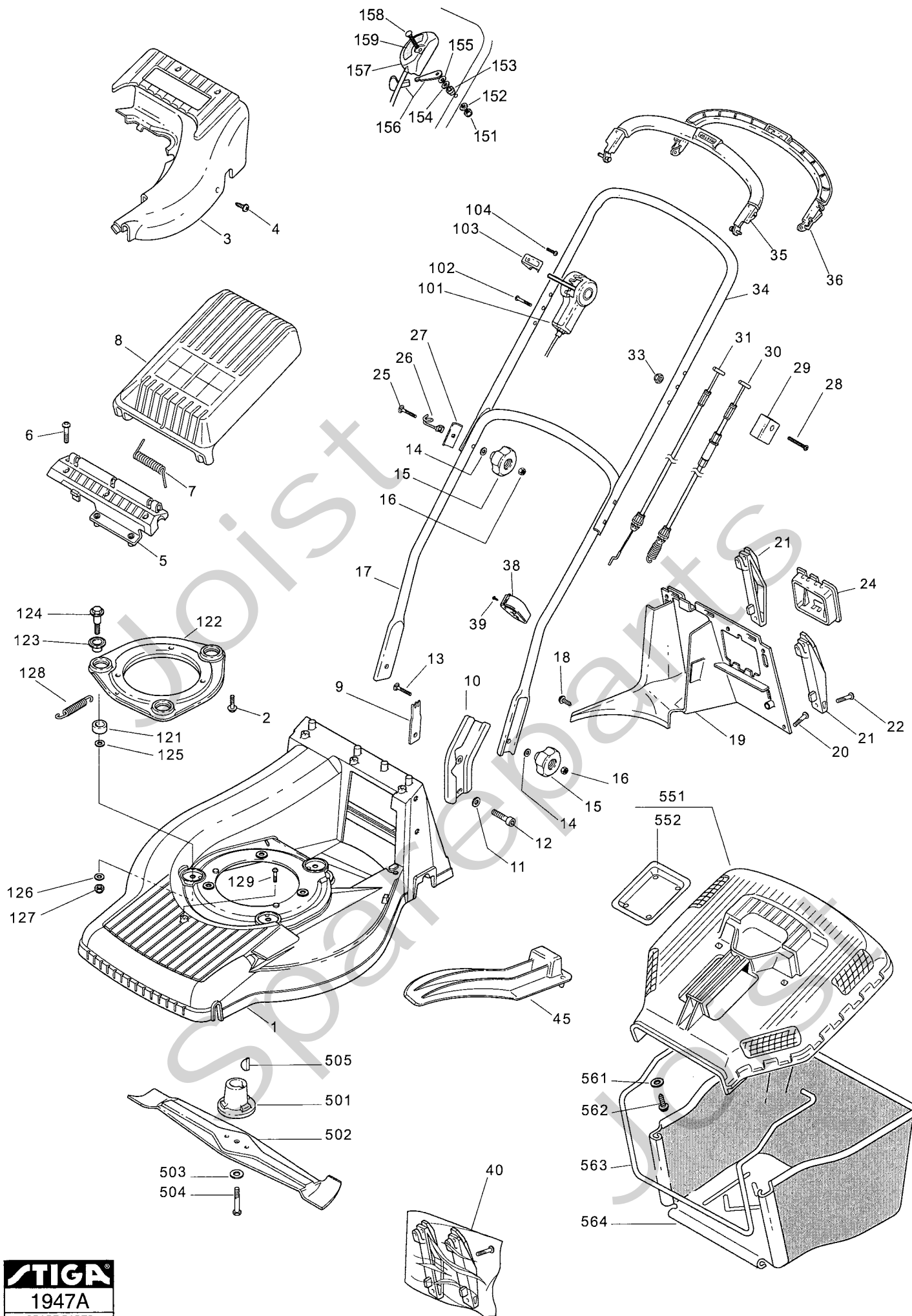


Genuine Spare Parts

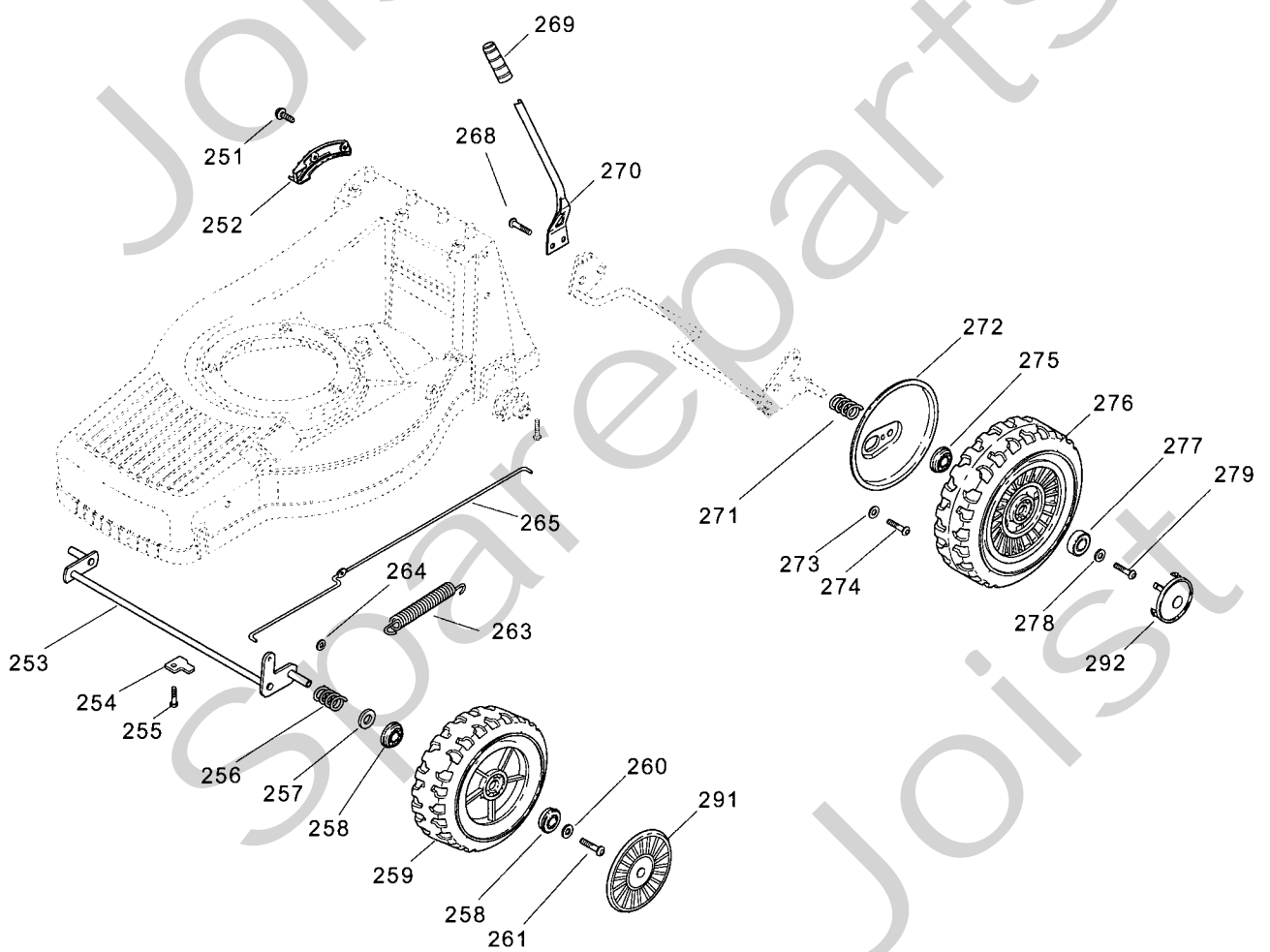
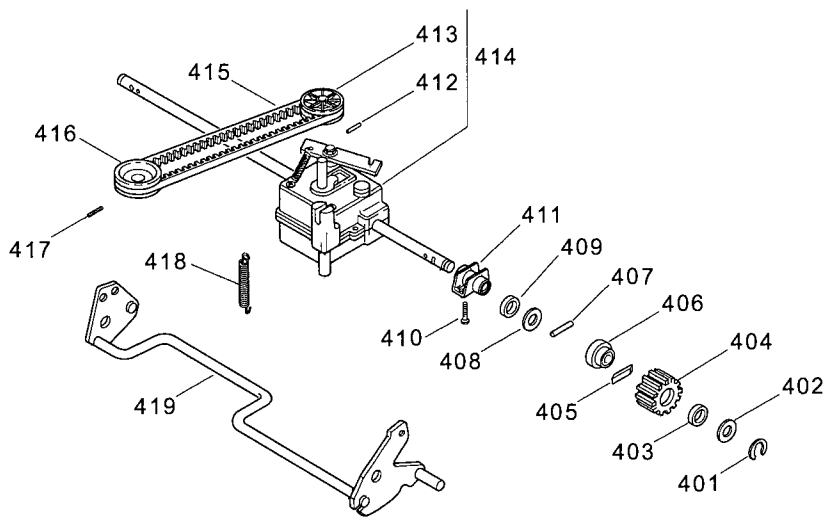


Joist
Spareparts
Joist

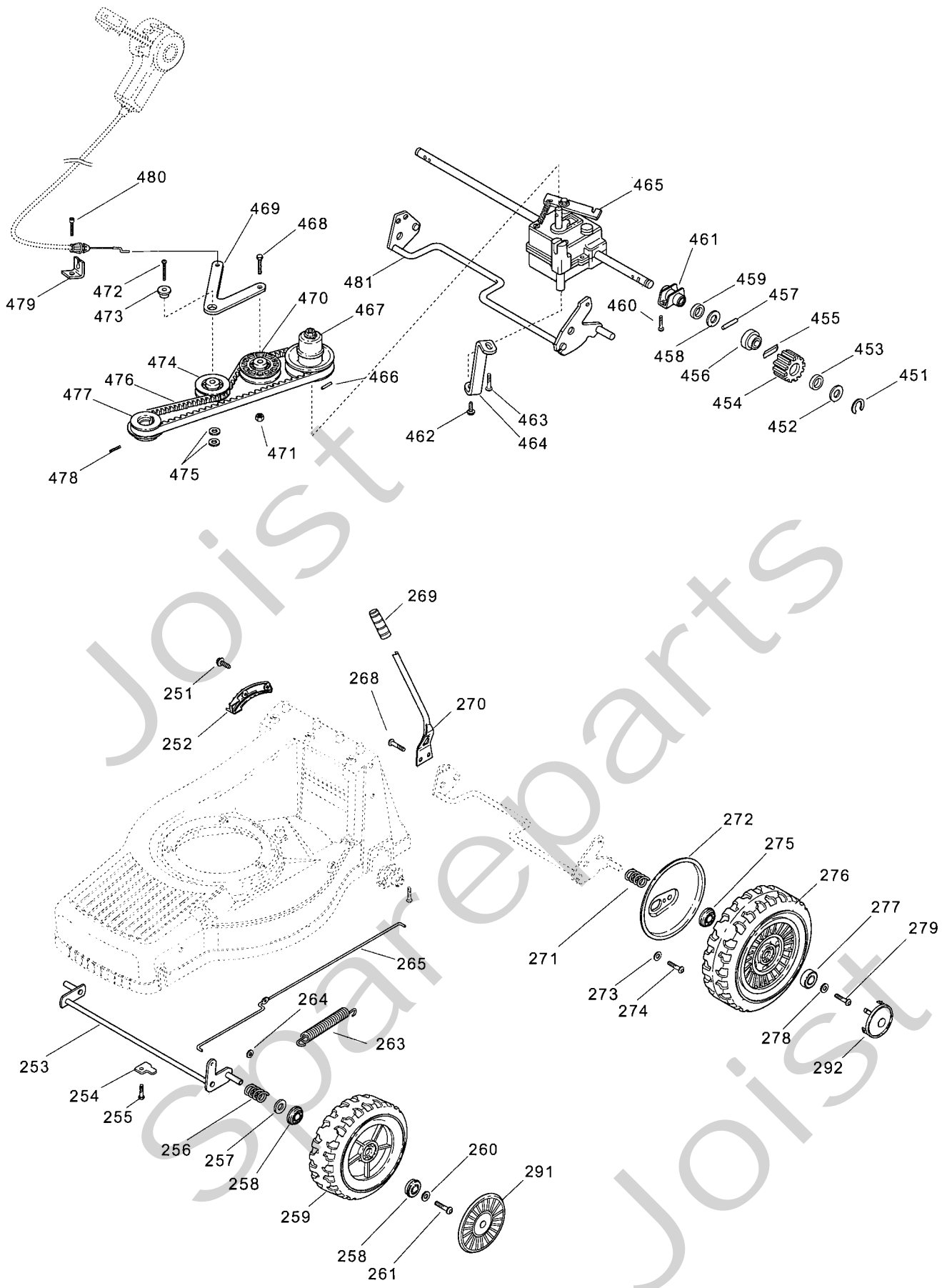
Utgåva Issue 2006-12		Bildnr Picture No 1947A		TURBO 55S COMBI TURBO 55SE COMBI CHASSI STYRE		TURBO 55S COMBI TURBO 55SE COMBI CHASSIS HANDLE		Sida Page 180	
Pos. Fig.	Antal/Quantity			Art nr Part No	Benämning	Description	Sats Kit	Anmärkning Notes	
	9286 -21	9498 -21							
1	1	1		1111-3598-01	Chassi- gul.....	Chassis- yellow			
2	3	3		9955-3732-12	Skruv.....	Screw.....			
3	1	1		1111-3597-01	Täckåpa- gul.....	Cover- yellow			
4	3	3		9838-9522-12	Skruv.....	Screw.....			
5	1	1		1111-2793-01	Luckinfästning- gul.....	Flap attachm.- yellow			
6	3	3		9947-0616-16	Skruv.....	Screw.....			
7	1	1		1111-2792-01	Fjäder.....	Spring.....			
8	1	1		1111-3283-01	Lucka- gul.....	Flap- yellow			
9	1	1		1111-3024-01	Fästplatta.....	Attachment plate.....			
10	2	2		1111-3021-01	Styrinfästning.....	Handlebar attachment.....			
11	2	2		9699-0028-02	Planbricka.....	Flat washer.....			
12	2	2		9939-0820-16	Skruv.....	Screw.....			
13	2	2		9899-3557-12	Skruv.....	Screw.....			
14	4	4		9699-0028-02	Planbricka.....	Flat washer.....			
15	4	4		1111-3023-01	Låsraff.....	Locking knob.....			
16	4	4		9795-3531-02	Mutter.....	Nut.....			
17	1	1		1111-3428-01	Styre- underdel (sv).....	Handle- lower (black).....			
18	1	1		9838-9522-12	Skruv.....	Screw.....			
19	1	1		1111-3335-01	Bakstam.....	Rear attachment.....			
20	3	3		9947-0616-16	Skruv.....	Screw.....			
21	1	1		1136-2044-01	Hållare, vä+hö.....	Attachment, LH+RH.....			
22	4	4		9836-9520-12	Skruv.....	Screw.....			
24	1	1		1111-2927-01	Batterihållare.....	Battery holder.....			
25	2	2		9899-3557-12	Skruv.....	Screw.....			
26	1	1		1111-3062-01	Ögla.....	Eyelink.....			
27	2	2		1111-0178-00	Förstärkning.....	Reinforcement.....			
28	1	1		9948-0640-16	Skruv.....	Screw.....			
29	1	1		1111-2969-01	Wrefäste.....	Cable attachment.....			
30	1	1		1111-3388-01	Kopplingswire.....	Clutch cable.....			
31	1	1		1111-2968-02	Motorbromswire.....	Engine brake cable.....			
33	1	1		9747-0631-02	Låsmutter.....	Lock nut.....			
34	1	1		1111-3461-01	Styre- överdel (svart).....	Handle- upper (black).....			
35	1	1		1111-2953-01	Manöverbygel.....	Control handle.....			
36	1	1		1111-2954-01	Manöverbygel.....	Control handle.....			
38	1	1		1111-2018-01	Kabelhållare.....	Cable holder.....			
39	1	1		9836-9216-12	Skruv.....	Screw.....			
40	1	1		1111-3569-01	Tillbehörspåse.....	Accessory bag.....			
45	1	1		1111-3333-02	Mulcherplugg.....	Mulch plug.....			
101	1	1		1111-2971-03	Variatorreglage.....	Variator control.....			
102	1	1		9838-9540-12	Skruv.....	Screw.....			
103	1	1		1111-2941-01	Reglageknopp.....	Knob.....			
104	1	1		9838-9522-12	Skruv.....	Screw.....			
121	3	3		1111-2452-01	Dämpement.....	Rubber damper.....			
122	1	1		1111-3594-02	Motorplatta- svart.....	Engine plate- black.....			
123	3	3		1111-2453-01	Isolering.....	Grommet.....			
124	3	3		1111-2454-01	Ansatsbult.....	Shoulder bolt.....			
125	3	3		9699-0062-02	Planbricka.....	Flat washer.....			
126	3	3		9699-0056-02	Planbricka.....	Flat washer.....			
127	3	3		9747-0831-02	Mutter.....	Lock nut.....			
128	1	1		1111-3641-01	Fjäder.....	Spring.....			
129	1	1		9943-0610-16	Skruv.....	Screw.....			
151	1	1		1136-0604-01	Mutter.....	Nut.....			
152	1	1		1136-0611-01	Låsbricka.....	Grower.....			
153	1	1		1136-0659-01	Distans.....	Spacer.....			
154	1	1		9699-0035-02	Planbricka.....	Flat washer.....			
155	1	1		1136-0606-01	Fjäderbricka.....	Spring washer.....			
156	1	1		1136-0766-01	Gasreglagearm.....	Throttle lever.....			
157	1	1		1136-0764-01	Gasreglagekabel.....	Throttle cable.....			
158	1	1		1136-0618-01	Skruv.....	Screw.....			
159	1	1		1136-2431-01	Dekal.....	Label.....			
501	1	1		1111-9070-01	Knivfäste.....	Blade holder.....			
502	1	1		1111-9091-01	Kniv.....	Blade.....			
503	1	1		9696-0011-01	Bricka.....	Washer.....			



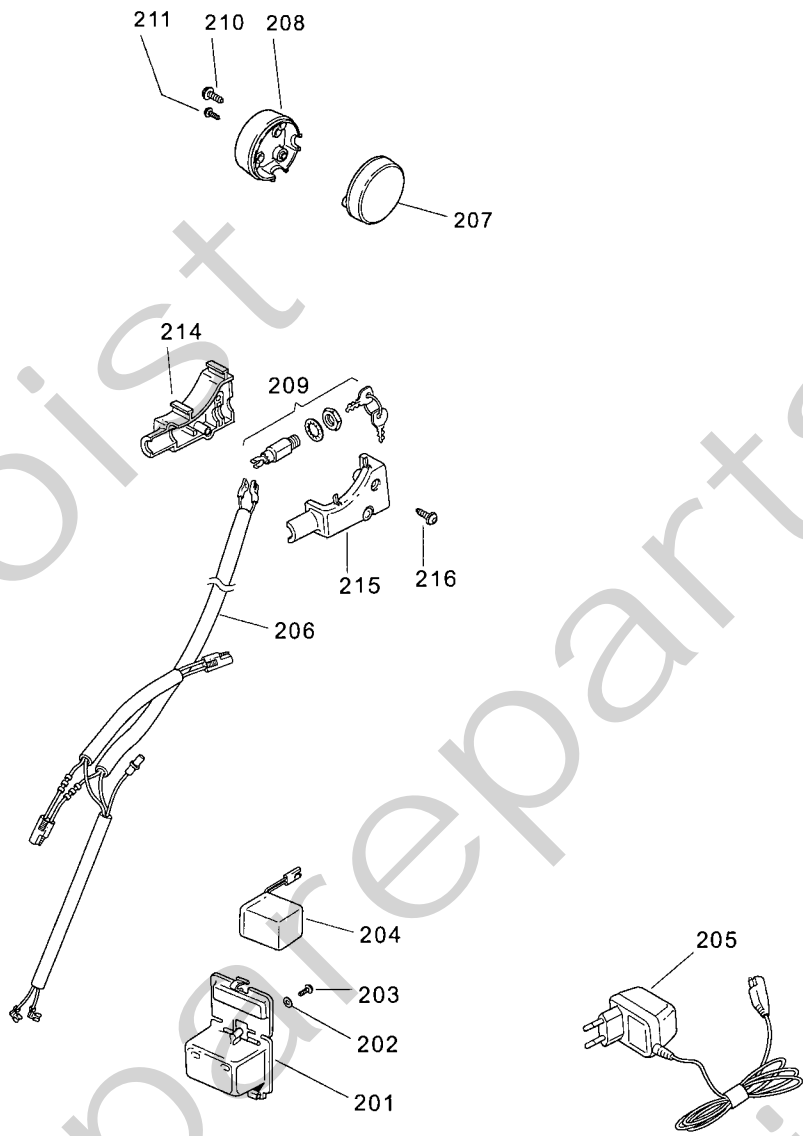
Utgåva Issue		Bildnr Picture No		TURBO 55S COMBI TURBO 55SE COMBI CHASSI STYRE		TURBO 55S COMBI TURBO 55SE COMBI CHASSIS HANDLE		Sida Page	
2006-12		1947A						182	
Pos. Fig.	Antal/Quantity			Art nr Part No	Benämning	Description	Sats Kit	Anmärkning Notes	
	9286 -21	9498 -21							
504	1	1		9987-5251-12	Skruv	Screw			
505	1	1		9600-0014-00	Kil	Key			
551	1	1		1111-2840-01	Uppsamlarlock-gul.....	Top collector-yellow			
552	1	1		1111-2764-01	• Täckbricka	• Cover			
561	2	2		9699-0100-02	Bricka	Washer			
562	2	2		9838-9522-12	Skruv	Screw			
563	1	1		1111-2843-01	Trådbygel.....	Wire clamp.....			
564	1	1		1111-2844-01	Uppsamlingsäck-svart.....	Collecting bag-black.....			



Utgåva Issue 2006- 12		Bildnr Picture No 1949A		TURBO 55S COMBI TRANSMISSION HJULUPPHÄNGNING		TURBO 55S COMBI TRANSMISSION WHEEL SUSPENSION		Sida Page 184	
Pos. Fig.	Antal/Quantity			Art nr Part No	Benämning	Description	Sats Kit	Anmärkning Notes	
	9286 -21								
X 251	2			9838-9522-12	Skruv	Screw			
252	1			1111-2798-01	Höjdinst. segment	Height adj. quadrant			
253	1			1136-2441-01	Framaxel	Front axle			
254	2			1111-1504-01	Överfall	Retainer			
255	2			9947-0616-16	Skruv	Screw			
256	2			1111-1138-01	Fjäder	Spring			
257	2			9699-0037-02	Bricka	Washer			
258	4			1136-0655-01	Kullager	Ball bearing			
259	2			1136-1520-01	Hjul	Wheel			
260	2			9699-0100-02	Bricka	Washer			
261	2			9943-0612-16	Skruv	Screw			
263	1			1111-2819-01	Fjäder	Spring			
264	2			9675-0011-00	Starlock	Starlock			
265	1			1111-3031-01	Dragstång	Height adj. rod			
268	2			9943-0610-16	Skruv	Screw			
269	1			1111-2817-01	Handtag	Lever knob			
270	1			1111-2816-01	Spak	Height adj. lever			
271	2			1111-3060-01	Fjäder	Spring			
272	2			1111-3395-01	Täckplåt	Cover plate			
273	2			9699-0060-02	Planbricka	Flat washer			
274	2			9943-0610-16	Skruv	Screw			
275	1			1111-3296-01	• Kullager	• Ball bearing			
276	2			1111-3026-01	Hjul m. kullager	Wheel w. ball bearings		Inkl. pos 275, 277	
277	1			9549-0001-00	• Kullager	• Ball bearing			
278	2			9699-0100-02	Bricka	Washer			
279	2			9943-0612-16	Skruv	Screw			
291	2			1136-1508-01	Navkapsel- grå	Hub cap- grey			
292	2			1111-3444-01	Navkapsel- silver	Hub cap- silver			
401	2			9652-0010-04	Låsring	Snap ring			
402	2			9695-0013-00	Bricka	Washer			
403	2			1111-2830-01	Stödbricka	Support washer			
404	2			1111-3075-01	Kuggjul- plasthjul	Pinion- plastic wheel			
405	2			1111-3256-01	Drivkil	Drive key			
406	2			1111-2829-01	Låsbricka	Lock washer			
407	2			1111-2382-01	Cyl. pinne	Pin			
408	2			9695-0013-00	Bricka	Washer			
409	2			9404-0083-00	Tätningring	Seal ring			
410	4			9947-0616-16	Skruv	Screw			
411	2			1111-2814-01	Bussning	Bushing			
412	1			9595-0235-00	• Spännstift	• Locating pin			
413	1			1111-3440-01	• Remskiva	• Belt pulley			
414	1			1111-3401-02	Transmission kpl	Transmission assy		Inkl. pos 412 - 413	
415	1			9585-0137-01	Drivrem	Drive belt			
416	1			1111-2915-01	Motorremskiva	Engine belt pulley			
417	1			9910-0612-16	Stoppskruv	Set screw			
418	1			1111-2822-01	Dragfjäder	Tension spring			
419	1			1111-2808-01	Bakaxel	Rear axle			



Utgåva Issue 2006-12		Bildnr Picture No 1950A		TURBO 55SE 4- SPEED TRANSMISSION HJULUPPHÄNGNING		TURBO 55SE 4- SPEED TRANSMISSION WHEEL SUSPENSION		Sida Page 186	
Pos. Fig.	Antal/Quantity			Art nr Part No	Benämning	Description	Sats Kit	Anmärkning Notes	
	9498 -21								
X 251	2			9838-9522-12	Skruv	Screw			
252	1			1111-2798-01	Höjdinst. segment	Height adj. quadrant			
253	1			1136-2441-01	Framaxel	Front axle			
254	2			1111-1504-01	Överfall	Retainer			
255	2			9947-0616-16	Skruv	Screw			
256	2			1111-1138-01	Fjäder	Spring			
257	2			9699-0037-02	Bricka	Washer			
258	4			1136-0655-01	Kullager	Ball bearing			
259	2			1136-1520-01	Hjul	Wheel			
260	2			9699-0100-02	Bricka	Washer			
261	2			9943-0612-16	Skruv	Screw			
263	1			1111-2819-01	Fjäder	Spring			
264	2			9675-0011-00	Starlock	Starlock			
265	1			1111-3031-01	Dragstång	Height adj. rod			
268	2			9943-0610-16	Skruv	Screw			
269	1			1111-2817-01	Handtag	Lever knob			
270	1			1111-2816-01	Spak	Height adj. lever			
271	2			1111-3060-01	Fjäder	Spring			
272	2			1111-3395-01	Täckplåt	Cover plate			
273	2			9699-0060-02	Planbricka	Flat washer			
274	2			9943-0610-16	Skruv	Screw			
275	1			1111-3296-01	• Kullager	• Ball bearing			
276	2			1111-3026-01	Hjul m. kullager	Wheel w. ball bearings		Inkl. pos 275, 277	
277	1			9549-0001-00	• Kullager	• Ball bearing			
278	2			9699-0100-02	Bricka	Washer			
279	2			9943-0612-16	Skruv	Screw			
291	2			1136-1508-01	Navkapsel- grå	Hub cap- grey			
292	2			1111-3444-01	Navkapsel- silver	Hub cap- silver			
451	2			9652-0010-04	Låsring	Snap ring			
452	2			9695-0013-00	Bricka	Washer			
453	2			1111-2830-01	Stödbricka	Support washer			
454	2			1111-3075-01	Kuggghjul- plasthjul	Pinion- plastic wheel			
455	2			1111-3256-01	Drivkiel	Drive key			
456	2			1111-2829-01	Låsbricka	Lock washer			
457	2			1111-2382-01	Cyl. pinne	Pin			
458	2			9695-0013-00	Bricka	Washer			
459	2			9404-0083-00	Tätningring	Seal ring			
460	4			9947-0616-16	Skruv	Screw			
461	2			1111-2814-01	Bussning	Bushing			
462	1			9947-0616-16	Skruv	Screw			
463	1			9838-9522-12	Skruv	Screw			
464	1			1111-3050-01	Stag	Bracket			
465	1			1111-3403-01	Transmission kpl	Transmission assy		Inkl. pos 466-467	
466	1			9594-0026-00	• Spännstift	• Locating pin			
467	1			1111-3001-01	• Variator	• Variator assy			
468	1			9997-0630-12	Skruv	Screw			
469	1			1111-3051-01	Spännarm	Tension arm			
470	1			1111-2746-01	Remskiva	Belt pulley			
471	1			9747-0631-02	Låsmutter	Lock nut			
472	1			9943-0650-16	Skruv	Screw			
473	1			1111-2423-01	Distans	Spacer			
474	1			1111-2747-01	Spännrulle	Tension roller			
475	2			9699-0060-02	Planbricka	Flat washer			
476	1			9585-0137-01	Drivrem	Drive belt			
477	1			1111-2433-01	Motorremskiva	Engine belt pulley			
478	1			9910-0612-16	Stoppsskruv	Set screw			
479	1			1111-2469-01	Fäste	Attachment			
480	1			9947-0616-16	Skruv	Screw			
481	1			1111-2808-01	Bakaxel	Rear axle			



Utgåva Issue		Bildnr Picture No		TURBO 55SE COMBI ELSTART		TURBO 55SE COMBI ELECTRIC STARTER		Sida Page	
2006-12		1948						188	
Pos. Fig.	Antal/Quantity			Art nr Part No	Benämning	Description	Sats Kit	Anmärkning Notes	
	9498 -81	9498 -21							
201	1	1		1111-3339-01	Batteribox	Battery holder		Only UK	
202	1	1		9699-0060-02	Planbricka	Flat washer			
203	1	1		9836-9216-12	Skruv	Screw			
204	1	1		1136-1320-01	Batteri	Battery			
205	1	1		1136-1321-01	Batteriladdare	Charger			
205	1	1		1136-1322-01	Batteriladdare (UK)	Charger (UK)			
206	1	1		1136-1815-01	Kablage	Harness			
207	1	1		1111-2021-01	Lock	Cover			
208	1	1		1111-2020-01	Hus	Housing			
209	1	1		9400-0186-00	Tändningslås kpl.	Starting switch assy			
209A	1	1		1134-2848-01	• Tändningsnyckel	• Ignition key			
210	2	1		9838-9540-12	Skruv	Screw			
211	1	1		9836-9216-12	Skruv	Screw			
214	1	1		1111-2707-01	Hus	Housing			
215	1	1		1111-2705-01	Lock	Cover			
216	1	1		9838-9522-12	Skruv	Screw			