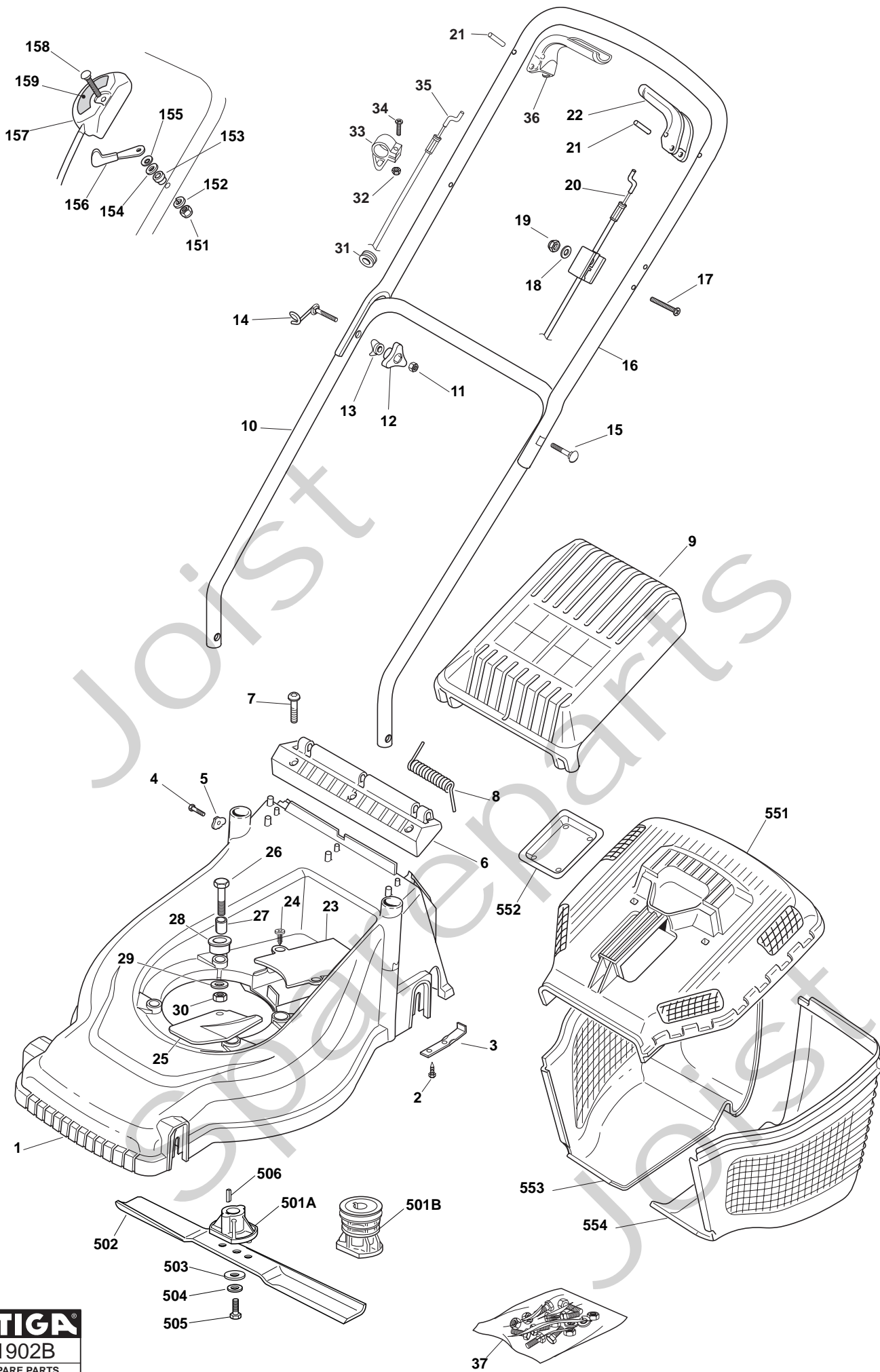


# Genuine Spare Parts

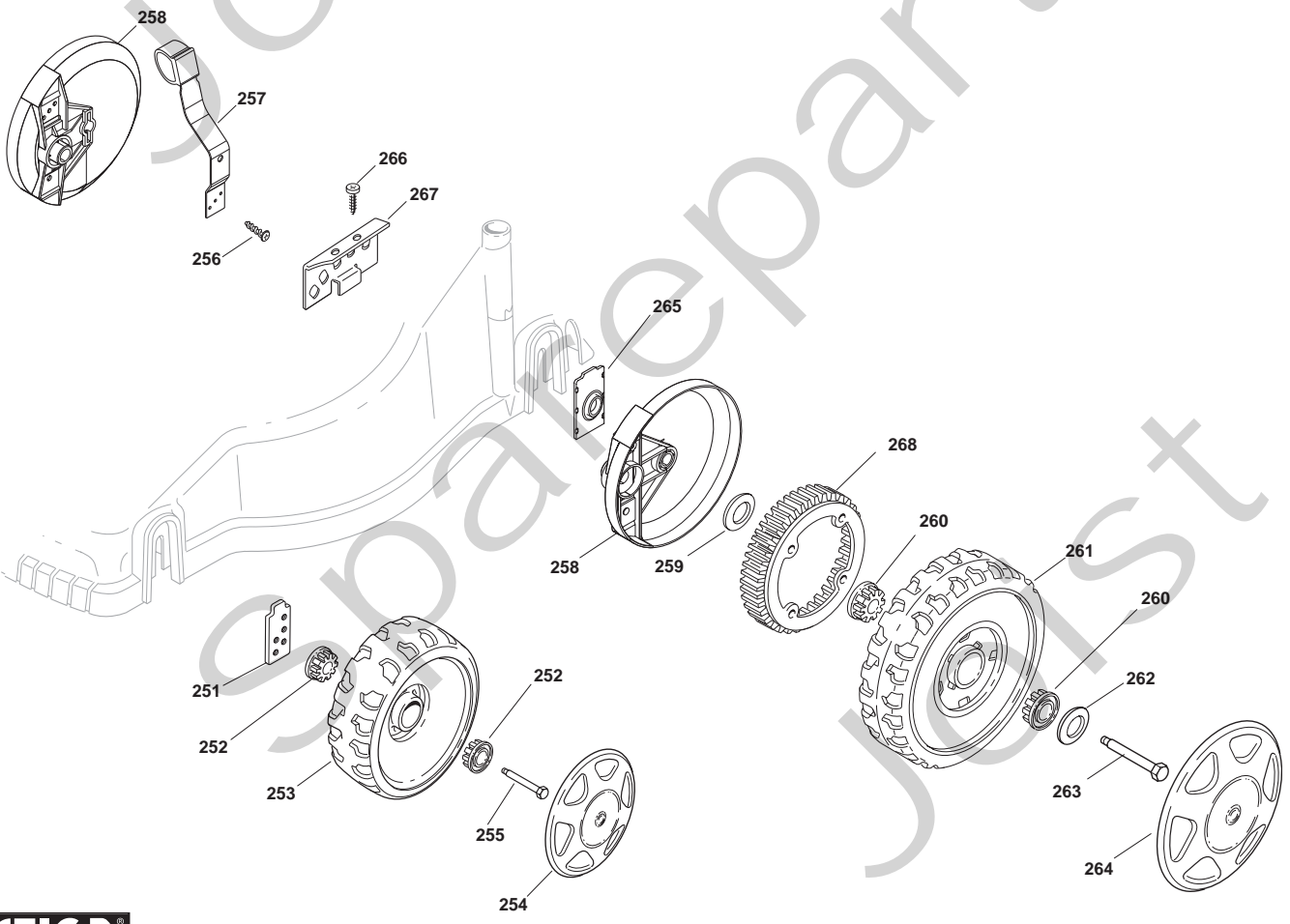
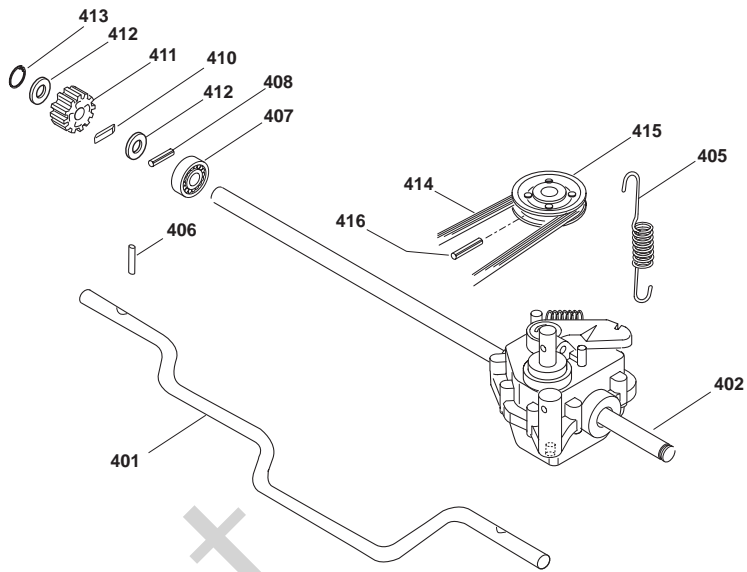
---



Joist  
Spareparts  
Joist



Utgåva Issue		Bildnr Picture No		COLLECTOR 43 COLLECTOR 43S CHASSI STYRE		COLLECTOR 43 COLLECTOR 43S CHASSIS HANDLE		Sida Page	
2008- 12		1902B						84	
Pos. Fig.	Antal/Quantity			Art nr Part No	Benämning	Description	Sats Kit	Anmärkning Notes	
	2134 -14	2334 -12							
1	1	1		22066704/0	Chassi- gul.....	Chassis- yellow .....			
2	4	4		12728680/0	Skruv .....	Screw .....			
3	2	2		22608531/0	Förstärkning- bak.....	Reinforcement- rear .....			
4	2	2		12728450/0	Skruv .....	Screw .....			
5	2	2		22545135/0	Platta .....	Plate .....			
6		1		22785165/0	Hållare .....	Support .....			
6	1			22785194/0	Hållare .....	Support .....			
7	3	3		12728686/0	Skruv .....	Screw .....			
8	1	1		22450430/0	Fjäder.....	Spring .....			
9	1	1		22600080/0	Lucka- gul.....	Stone guard- yellow .....			
10	1	1		81006609/0	Styre- underdel .....	Handle- lower .....			
11	2	2		12293200/0	Mutter.....	Nut .....			
12	2	2		22399900/0	Låsraff .....	Locking knob .....			
13	2	2		22680006/1	Bricka .....	Washer .....			
14	1	1		81003801/1	Snörhållare .....	Rope holder .....			
15	1	1		12819201/0	Skruv .....	Screw .....			
16	1	1		81006577/0	Styre- överdel .....	Handle- upper.....			
17	1	1		12674700/0	Skruv .....	Screw .....			
18	1	1		12521330/0	Bricka .....	Washer.....			
19	1	1		12292100/0	Mutter.....	Nut .....			
20	1	1		81000614/0	Motorbromswire.....	Engine brake cable .....			
21	2	2		12645710/0	Stift.....	Pin .....			
X 22	1	1		322321700/1	Handtag .....	Control handle.....			
23	1	1		22060171/0	Remskydd .....	Belt protection.....			
24	2	2		12728686/0	Skruv .....	Screw .....			
25	1	1		22484070/1	Ljuddämparskydd.....	Muffler guard .....			
26	3	3		12691900/0	Skruv .....	Screw .....			
27	3	3		22167842/0	Distans .....	Spacer .....			
28	1	1		22040265/0	Bussning .....	Bushing.....			
29	3	3		12523070/0	Bricka .....	Washer.....			
30	3	3		12155000/0	Mutter.....	Nut .....			
31		1		18564520/1	Hylsa .....	Fairlead .....			
32		1		12292100/0	Mutter.....	Nut .....			
33		1		22806521/0	Klämma .....	Clamp.....			
34		1		12769616/0	Skruv .....	Screw .....			
X 35		1		81000704/0	Kopplingswire.....	Clutch cable .....			
36		1		22321701/0	Handtag .....	Control handle.....			
X 37		1		81008673/1	Skrivsats.....	Screw set .....			
37	1			81008679/0	Skrivsats.....	Screw set .....			
151	1	1		12291000/0	Mutter.....	Nut .....			
152	1	1		12581500/0	Låsbricka .....	Washer.....			
153	1	1		22171005/0	Distans .....	Spacer.....			
154	1	1		12521360/0	Bricka .....	Washer.....			
155	1	1		12508100/0	Låsbricka .....	Washer.....			
156	1			81007220/0	Gasarm .....	Throttle lever.....			
156		1		81007279/1	Gasarm .....	Throttle lever.....			
157	1			81007080/0	Gaswire .....	Throttle cable .....			
X 157		1		81007093/0	Gaswire .....	Throttle cable .....			
158	1	1		12815000/0	Skruv .....	Screw .....			
159	1			14356702/0	Dekal .....	Label .....			
X 159		1		14360197/0	Dekal .....	Label .....			
501 A	1			1111- 9168- 01	Knivfäste.....	Blade holder.....			
501 B		1		1111- 9120- 01	Knivfäste m.remskiva .....	Hub w. pulley .....			
502	1	1		1111- 9142- 01	Kniv .....	Blade .....			
503	1	1		22160400/0	Bricka .....	Elastic washer .....			
504	1	1		12523080/0	Bricka .....	Washer.....			
505	1	1		12735698/0	Skruv .....	Screw .....			
506	1	1		12139100/0	Kil .....	Key .....			
551	1	1		22486116/0	Uppsamlare- överdel.....	Grassbox- upper.....			
552	1	1		22486098/0	Platta .....	Plate .....			
553	1	1		22486120/0	Uppsamlare- undre, hö .....	Grassbox- lower RH .....			
554	1	1		22486119/0	Uppsamlare- undre, vä.....	Grassbox- lower LH.....			



Utgåva Issue 2008- 12		Bildnr Picture No 2108		COLLECTOR 43S HJULUPPHÄNGNING TRANSMISSION		COLLECTOR 43S WHEEL SUSPENSION TRANSMISSION		Sida Page 88	
Pos. Fig.	Antal/Quantity				Art nr Part No	Benämning	Description	Sats Kit	Anmärkning Notes
	2334 -12								
X 251	2				322785093/1	Hjulhållare .....	Wheel support.....		
252	4				22034515/1	Bussning .....	Bushing.....		
253	2				22686091/1	Hjul .....	Wheel.....		
254	2				22110394/0	Navkapsel .....	Hub cap.....		
255	2				22524340/0	Hjulbult .....	Wheel bolt.....		
256	2				12728689/0	Skruv .....	Screw.....		
257	1				81003303/0	Höjdställningsspak .....	Height adjust lever .....		
258	2				22600106/1	Hjulskydd.....	Wheel protection.....		
259	2				12521370/0	Bricka .....	Washer.....		
260	4				22034508/0	Bussning .....	Bushing.....		
261	2				22686093/0	Hjul .....	Wheel.....		
262	2				12523050/0	Bricka .....	Washer.....		
263	2				12735599/0	Skruv .....	Screw.....		
264	2				22110309/0	Navkapsel .....	Hub cap.....		
X 265	2				22557149/0	Platta .....	Plate.....		
266	2				12728680/0	Skruv .....	Screw.....		
X 267	1				22735567/0	Höjdställn.sektor.....	Height adjust sector.....		
268	2				22120109/0	Kuggring.....	Sprocket ring.....		
401	1				22033393/0	Hjulaxel.....	Wheel axle.....		
402	1				81003093/0	Transmission kpl .....	Transmission assy.....		
405	1				22430216/0	Fjäder.....	Spring.....		
406	2				22753001/0	Stift.....	Pin.....		
407	2				22122200/0	Kullager .....	Ball bearing.....		
408	2				12622620/0	Stift.....	Pin.....		
410	2				22076645/0	Kil .....	Key.....		
411	2				22570125/0	Drev .....	Pinion.....		
412	4				22160520/0	Skyddsbricka.....	Dust cover.....		
413	2				12608520/0	Låsring .....	Seeger ring.....		
414	1				1111- 9123- 01	Drivrem .....	Drive belt.....		
415	1				22601904/0	Remskiva.....	Belt pulley.....		
416	1				12645705/0	Stift.....	Pin.....		