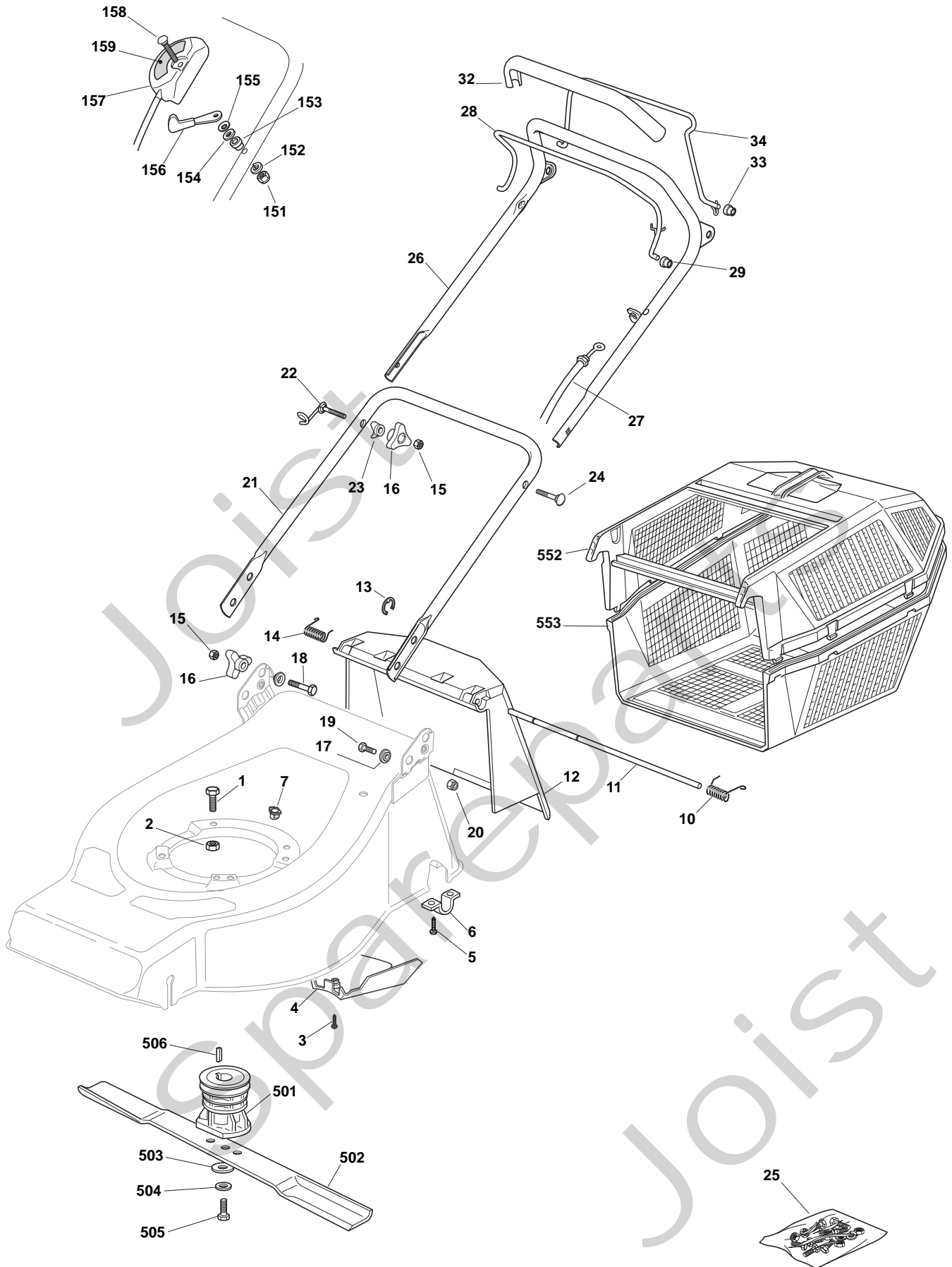


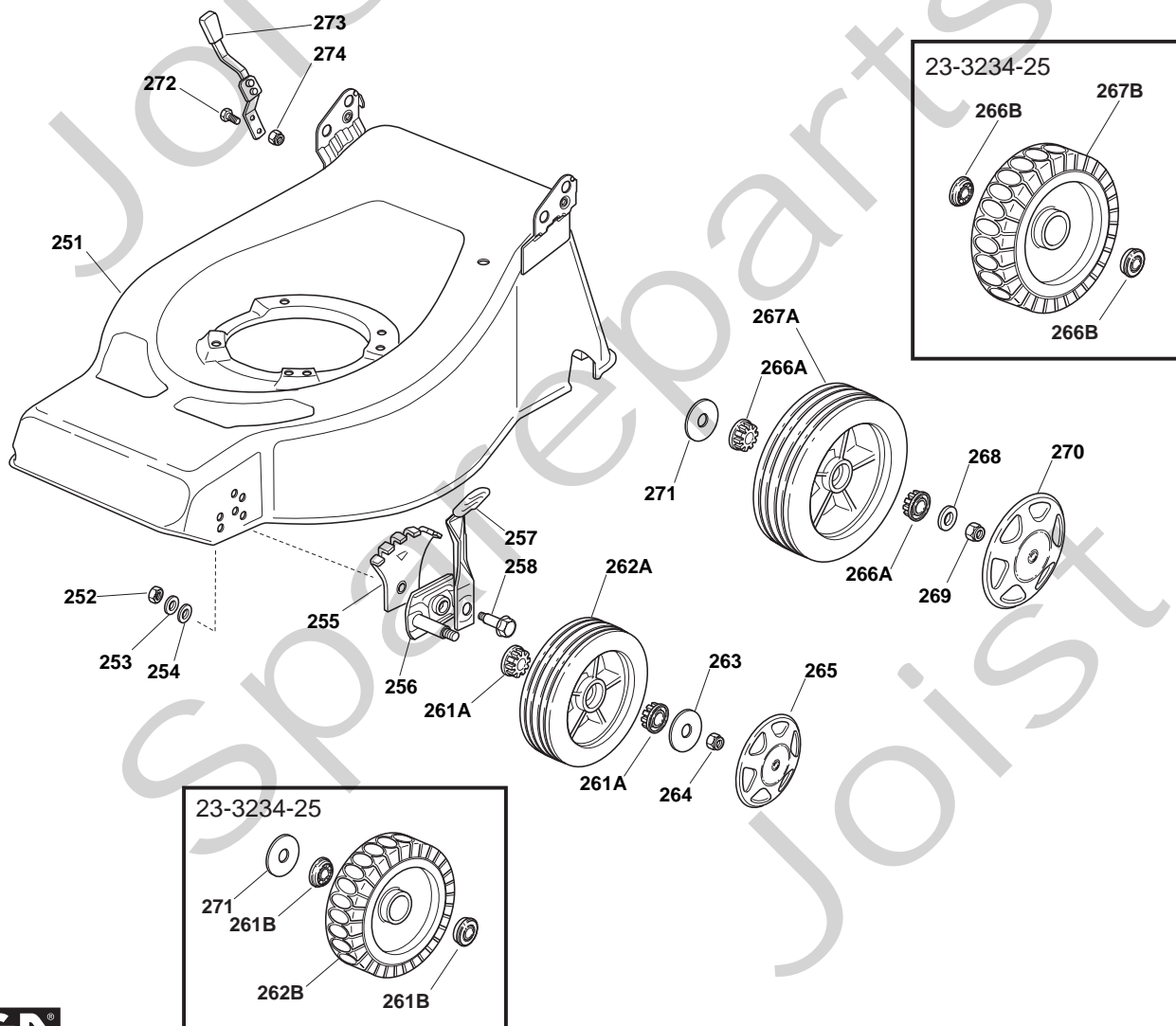
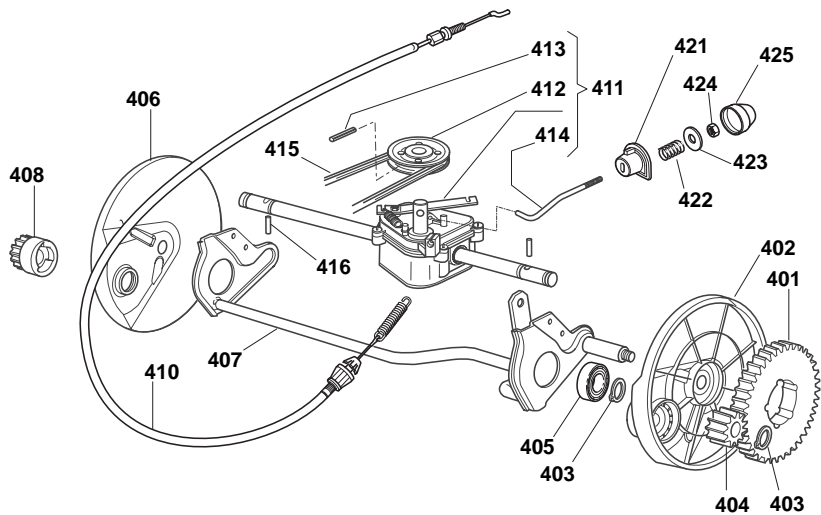
Genuine Spare Parts



Joist
Spareparts
Joist



Utgåva Issue		Bildnr Picture No		STIGA 48S- IGL 35SP CHASSI STYRE		STIGA 48S- IGL 35SP CHASSIS HANDLE		Sida Page	
2008- 12		1385E						106	
Pos. Fig.	Antal/Quantity			Art nr Part No	Benämning	Description	Sats Kit	Anmärkning Notes	
	3234 -25	3734 -01							
1	0/1	0/1		12691800/0	Skruv	Screw			
1	3/2	3/2		12793701/0	Skruv	Screw			
2	0/1	0/1		12155000/0	Mutter	Nut			
2	3/2	3/2		12293201/0	Mutter	Nut			
3	1	1		12727791/0	Skruv	Screw			
4	1	1		22060180/0	Remskydd	Belt protection			
5	4	4		12731350/0	Skruv	Screw			
6	2	2		22545152/0	Bygel	Plate			
7	1	1		22291150/0	Gummihylsa	Rubber insert			
10	1	1		22450420/1	Fjäder- vä	Spring- LH			
11	1	1		22517906/1	Axel	Pivot shaft			
12	1	1		22600028/4	Lucka	Stone guard			
13	1	1		12000930/0	Låsring	Snap ring			
14	1	1		22450410/1	Fjäder- hö	Spring- RH			
15	4	4		12293200/0	Mutter	Nut			
16	4	4		22399900/0	Låsraff	Locking knob			
17	4	4		22041955/0	Bussning	Bush			
18	2	2		12793700/0	Skruv	Screw			
19	2	2		12792610/0	Skruv	Screw			
20	2	2		12155000/0	Mutter	Nut			
21	1	1		81006512/0	Styre- underdel	Handle- lower			
22	1	1		81003801/1	Snörhållare	Rope holder			
23	2	2		22680006/1	Bricka	Washer			
24	1	1		12819201/0	Skruv	Screw			
25	1	1		81008614/3	Skrivsats	Screw set			
26	1	1		81007024/0	Styre- överdel	Handle- upper			
27	1	1		81000611/0	Motorbromswire	Engine brake cable		GGP- motor	
28	1	1		81003291/3	Reglagebygel	Control lever- engine			
29	2	2		22041966/0	Bussning	Bush			
32	1	1		22291050/0	Handtag	Handgrip			
33	2	2		22041965/1	Bussning	Bush			
34	1	1		81003288/1	Reglagebygel	Control lever- drive			
151	1	1		12291000/0	Mutter	Nut			
152	1	1		12581500/0	Låsbricka	Washer			
153	1	1		22171005/0	Distans	Spacer			
154	1	1		12521360/0	Bricka	Washer			
155	1	1		12508100/0	Låsbricka	Washer			
156	1	1		81007220/0	Gasarm	Throttle lever			
157	1	1		81007080/0	Gaswire	Throttle cable			
158	1	1		12815000/0	Skruv	Screw			
159	1	1		14356702/0	Dekal	Label			
501	1	1		1111- 9120- 01	Knivfäste m.remskiva	Hub w. pulley			
502	1	1		1111- 9121- 01	Kniv	Blade			
503	1	1		22160400/0	Bricka	Elastic washer			
504	1	1		12523080/0	Bricka	Washer			
505	1	1		12735698/0	Skruv	Screw			
506	1	1		12139100/0	Kil	Key			
552	1	1		22486076/0	Uppsamlare- överdel	Grassbox- upper			
553	1	1		22486077/0	Uppsamlare- underdel	Grassbox- lower			



Utgåva Issue 2008- 12		Bildnr Picture No 1386F		STIGA 48S- IGL 35SP HJULUPPHÄNGNING TRANSMISSION		STIGA 48S- IGL 35SP WHEEL SUSPENSION TRANSMISSION		Sida Page 108	
Pos. Fig.	Antal/Quantity			Art nr Part No	Benämning	Description	Sats Kit	Anmärkning Notes	
	3234 -25	3734 -01							
251	1	1		81002462/0	Chassi- gul.....	Chassis- yellow			
252	2	2		12293200/0	Mutter.....	Nut			
253	2	2		12583500/0	Låsbricka.....	Washer.....			
254	2	2		12523070/0	Bricka.....	Washer.....			
255	2	2		22735547/0	Höjdinställ.sektor.....	Height adjust sector			
256	2	2		81005082/0	Hjulfäste.....	Wheel support.....			
257	2	2		81003285/1	Höjdinställ.spak.....	Height adjust lever			
258	2	2		22519811/0	Bult.....	Bolt			
261 A		4		22034508/0	Bussning.....	Bushing.....			
261 B	4			22122200/0	Kullager.....	Ball bearing			
262 A		2		81007326/0	Hjul.....	Wheel.....			
262 B	2			81007336/0	Hjul.....	Wheel.....			
263	2	2		12521350/0	Bricka.....	Washer.....			
264	2	2		12155000/0	Mutter.....	Nut			
265	2	2		22110394/0	Navkapsel.....	Hub cap.....			
266 A		4		22034508/0	Bussning.....	Bushing.....			
266 B	4			22122200/0	Kullager.....	Ball bearing			
267 A		2		81007328/0	Hjul.....	Wheel.....			
267 B	2			81007337/0	Hjul.....	Wheel.....			
268	2	2		12369500/0	Bricka.....	Washer.....			
269	2	2		12155000/0	Mutter.....	Nut			
270	2	2		22110309/0	Navkapsel.....	Hub cap.....			
271	2	2		12530150/0	Bricka.....	Washer.....			
272	2	2		12789000/0	Skruv.....	Screw.....			
273	1	1		81003279/2	Spak.....	Lever.....			
274	2	2		12154330/0	Mutter.....	Nut			
401	2	2		22120105/1	Ringdrev.....	Ring gear			
402	1	1		22600093/0	Hjulskydd.....	Wheel cover			
403	4	4		12608600/0	Låsring.....	Seegerring			
404	1	1		22570120/1	Drev- vä.....	Pinion- LH.....			
405	2	2		19216035/0	Lager.....	Bearing.....			
406	1	1		22600092/0	Hjulskydd.....	Wheel cover			
407	1	1		81000147/0	Bakaxel.....	Rear axle			
408	1	1		22570110/1	Drev- hö.....	Pinion- RH.....			
410	1	1		81000668/1	Kopplingswire.....	Clutch cable			
411	1	1		81003076/0	Transmission (svart).....	Transmission (black).....			
412	1	1		22601904/0	• Remskiva.....	• Belt pulley			
413	1	1		12645705/0	• Stift.....	• Pin.....			
414	1	1		22033283/0	• Justerstång.....	• Adjustment rod			
415	1	1		1111- 9123- 01	Drivrem.....	Drive belt.....			
416	2	2		22753000/0	Stift.....	Pin			
421	1	1		22041957/1	Bussning.....	Bush.....			
422	1	1		22450063/0	Fjäder.....	Spring			
423	1	1		22680009/0	Bricka.....	Washer.....			
424	1	1		12154510/0	Mutter.....	Nut			
425	1	1		22110230/0	Lock.....	Cap.....			

Inkl. pos 412 - 414