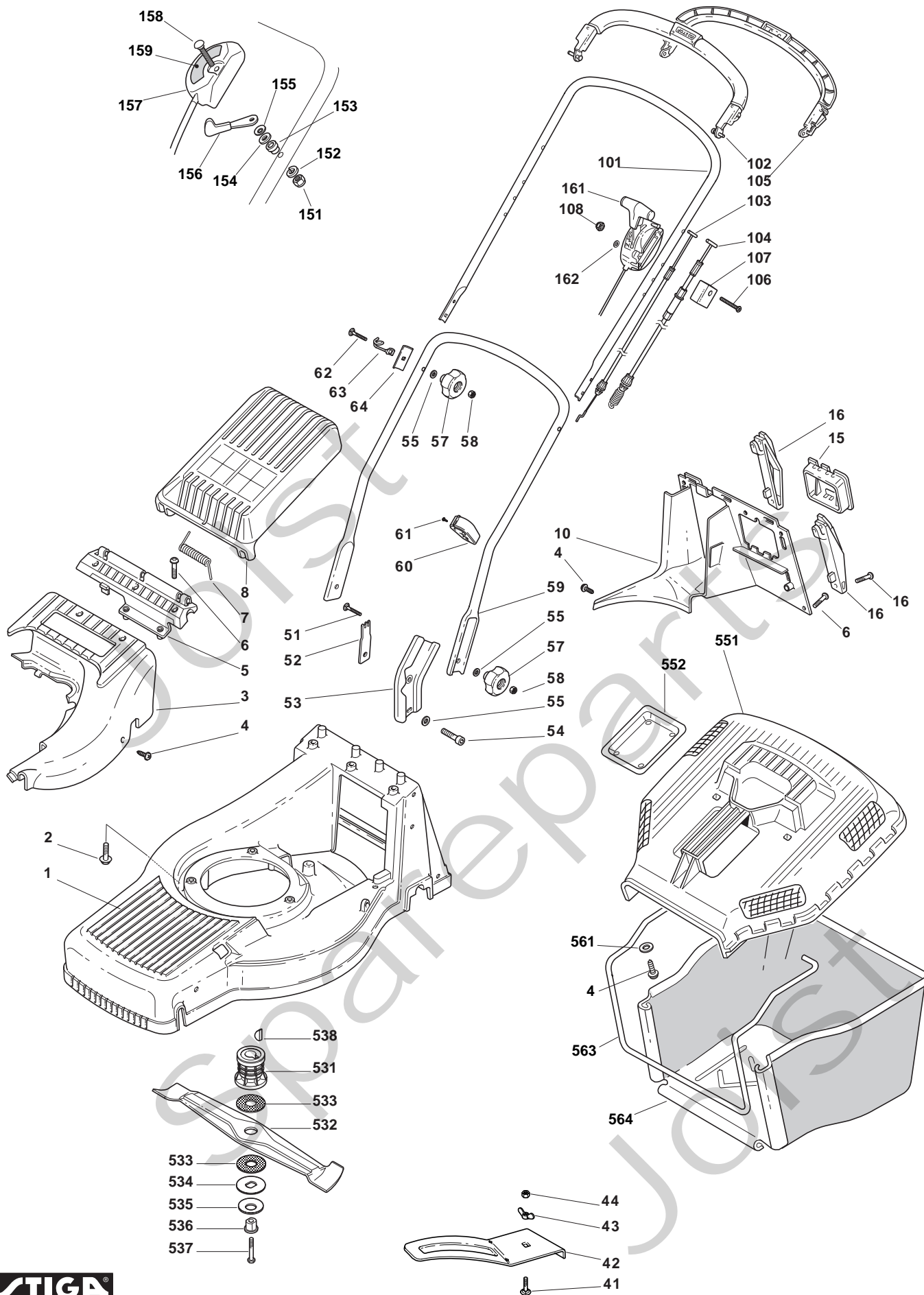


# Genuine Spare Parts

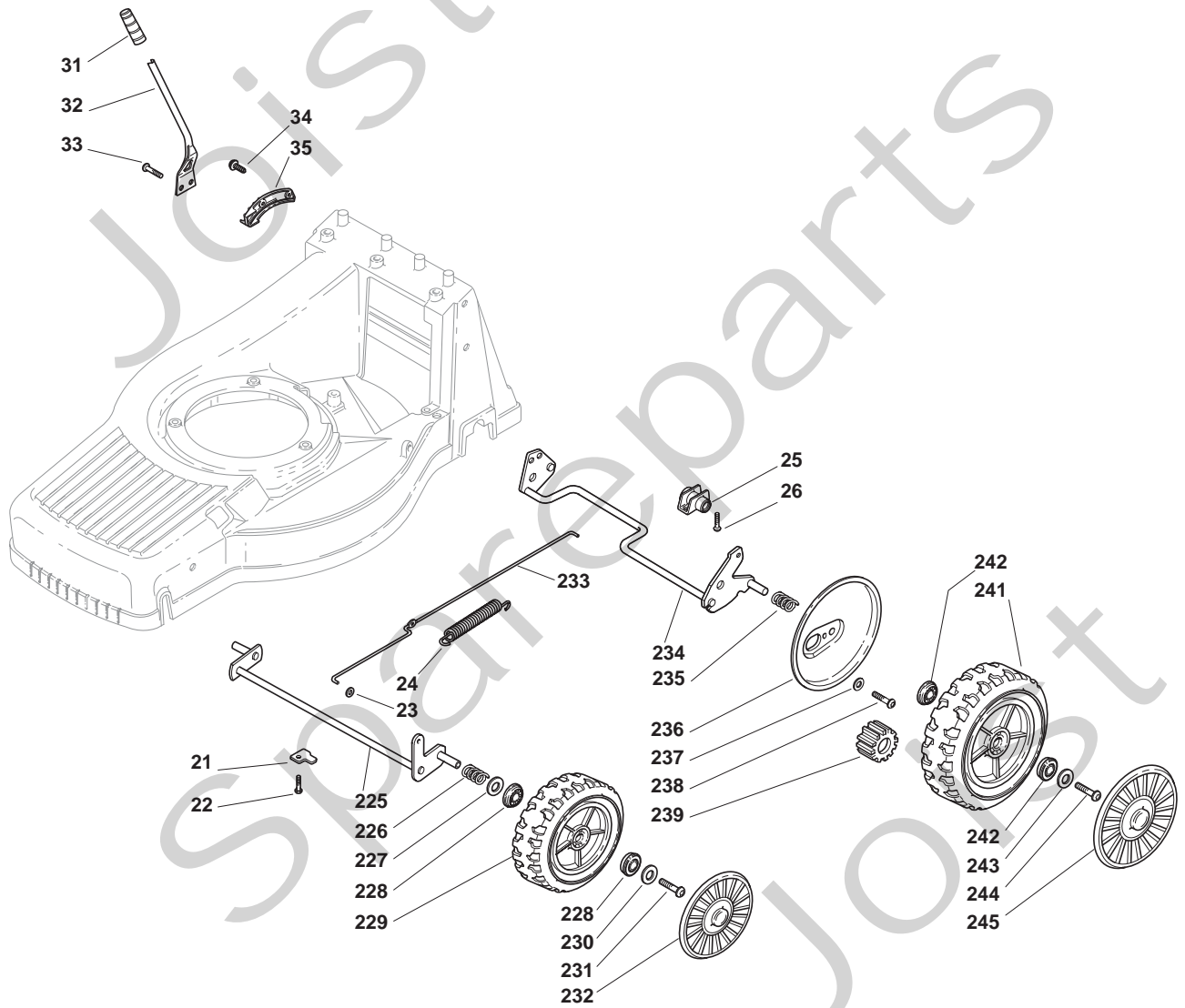
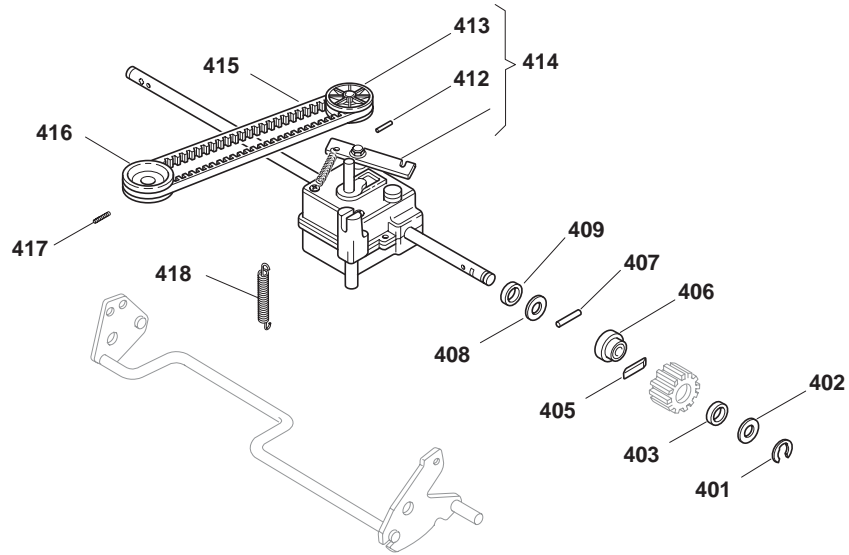
---



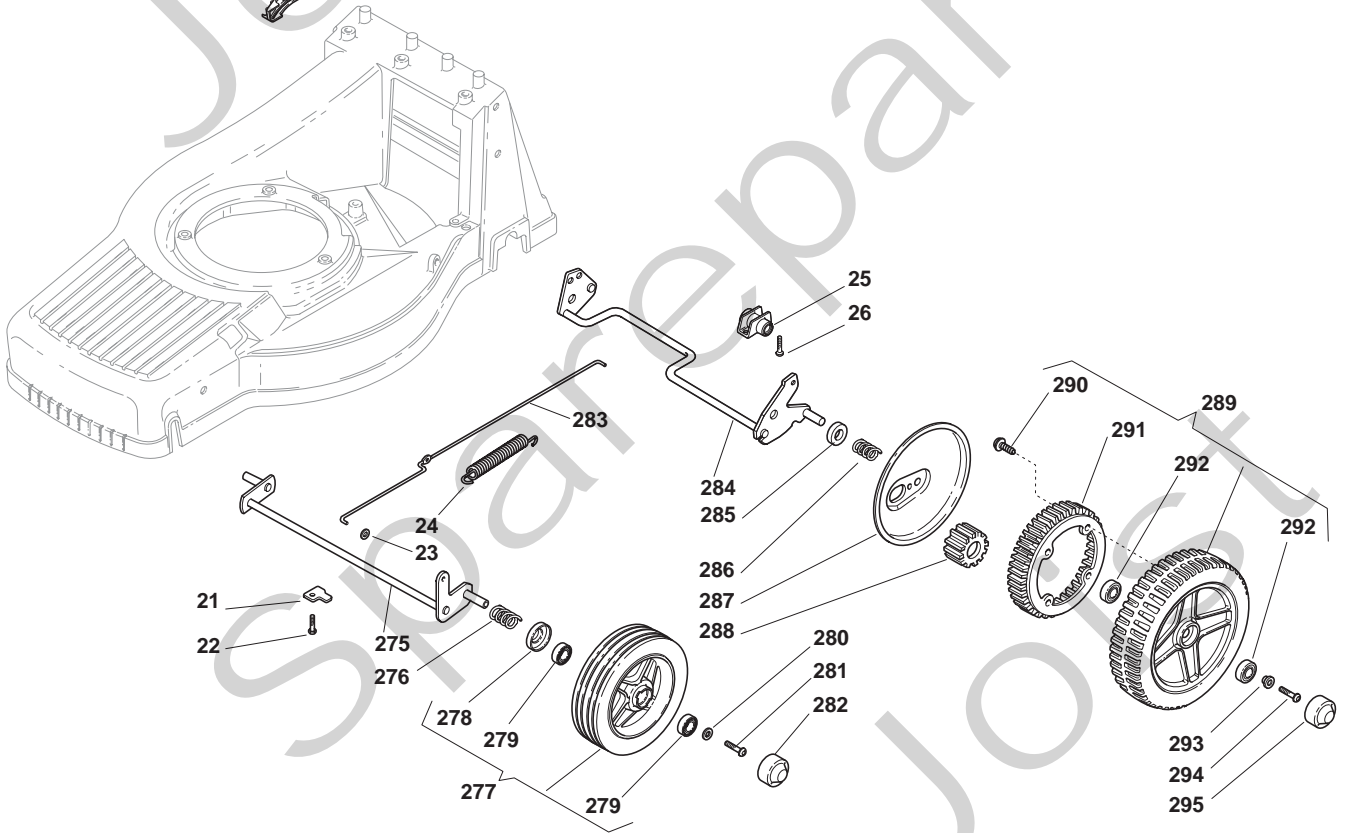
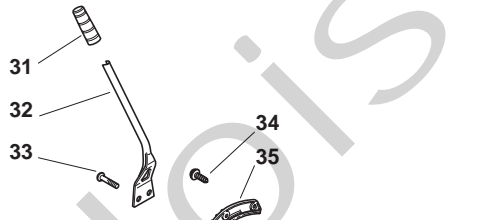
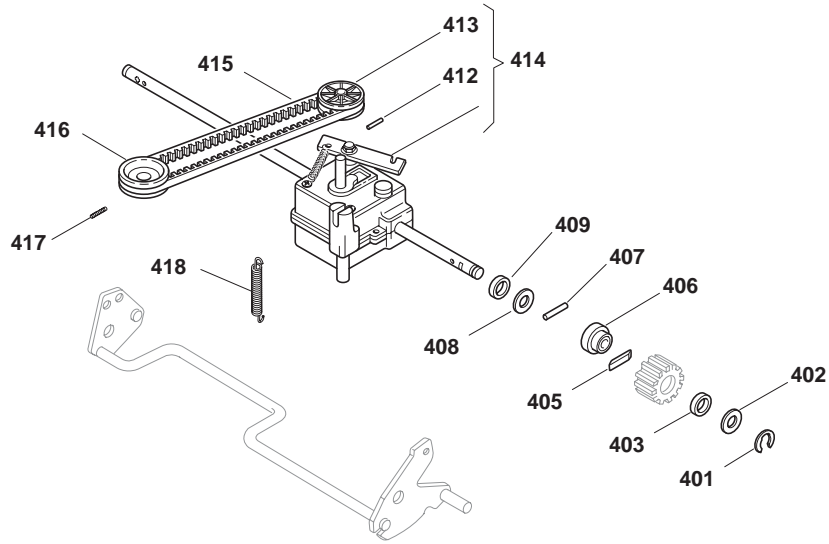
Joist  
Spareparts  
Joist



Utgåva Issue 2008- 12		Bildnr Picture No 1933C		TURBO 45S COMBI TURBO PRO 45S COMBI CHASSI STYRE		TURBO 45S COMBI TURBO PRO 45S COMBI CHASSIS HANDLE		Sida Page 176	
Pos. Fig.	Antal/Quantity			Art nr Part No	Benämning	Description	Sats Kit	Anmärkning Notes	
	1234 -42	1281 -42	1203 -22						
X	1	1	1	381002703/1	Chassi-grå.....	Chassis- grey .....			
X	2	3	3	112735108/1	Skruv .....	Screw .....			
	3	1	1	22060151/0	Kåpa- gul .....	Cover- yellow .....			
	4	6	6	12728300/0	Skruv .....	Screw .....			
	5	1	1	22785156/0	Luckfäste- gul .....	Support- yellow .....			
	6	6	6	12735664/0	Skruv .....	Screw .....			
	7	1	1	22450443/0	Fjäder.....	Spring .....			
	8	1	1	22600080/0	Lucka- gul .....	Stone guard- yellow .....			
	10	1	1	22108279/0	Bakstam.....	Rear conveyer .....			
	15	1	1	22109531/0	Lock.....	Cover .....			
	16	1	1	81008658/1	Fäste kpl .....	Attachments assy.....			
	41	1	1	12818690/0	Skruv .....	Screw .....			
	42	1	1	22140229/0	Mulchplugg .....	Mulch plug .....			
	43	1	1	22399807/0	Låsrratt .....	Locking knob .....			
	44	1	1	12293200/0	Mutter.....	Nut .....			
	51	2	2	12820655/0	Skruv .....	Screw .....			
	52	1	1	22551635/0	Platta .....	Plate .....			
	53	2	2	22778405/0	Styrfäste .....	Handle support .....			
	54	2	2	12760515/0	Skruv .....	Screw .....			
	55	6	6	12521350/0	Bricka .....	Washer .....			
	57	4	4	22399810/0	Låsrratt .....	Locking knob .....			
	58	4	4	12361005/0	Mutter.....	Nut .....			
	59	1	1	81006642/0	Styre- underdel .....	Handle- lower .....			
	60	1	1	22192001/0	Kabelhållare .....	Cable holder .....			
	61	1	1	12728691/0	Skruv .....	Screw .....			
	62	2	2	12820655/0	Skruv .....	Screw .....			
	63	1	1	22430311/0	Ögla .....	Eyelink .....			
	64	2	2	22545137/0	Förstärkning .....	Reinforcement.....			
	101	1	1	81006643/0	Styre- överdel .....	Handle- upper.....			
	102	1	1	81003298/1	Reglagebygel .....	Control lever .....			
	103		1	81000685/0	Motorbromswire.....	Engine brake cable .....		B&S	
X	103	1		81000707/0	Motorbromswire.....	Engine brake cable .....		GGP	
X	103		1	81000717/0	Motorbromswire.....	Engine brake cable .....		Honda	
	104	1	1	81000697/0	Kopplingswire.....	Clutch cable .....			
	105	1	1	81003297/1	Reglagebygel- drivning.....	Control lever- drive.....			
	106	1	1	12727783/0	Skruv .....	Screw .....			
	107	1	1	22551640/0	Wirefäste .....	Wire bracket.....			
	108	1	1	12154510/0	Mutter.....	Nut .....			
	151	1		12291000/0	Mutter.....	Nut .....			
	152	1		12581500/0	Låsbricka .....	Washer.....			
	153	1		22171005/0	Distans .....	Spacer.....			
	154	1		12521360/0	Bricka .....	Washer.....			
	155	1		12508100/0	Låsbricka .....	Washer.....			
	156	1		81007279/1	Gasarm.....	Throttle lever.....			
	157	1		81007080/0	Gaswire .....	Throttle cable .....			
	158	1		12815000/0	Skruv .....	Screw .....			
	159	1		14356702/0	Dekal .....	Label .....			
	161		1	81007126/0	Gasreglage.....	Throttle control .....			
	161		1	81007128/0	Gasreglage.....	Throttle control .....			
	162		1	12523040/0	Bricka .....	Washer.....			
	531	1	1	1111-9127-01	Knivfäste.....	Blade holder .....			
	532	1	1	1111-9166-01	Kniv .....	Blade .....			
	533	2	2	22672111/0	Friktionsskiva.....	Friction disc .....			
	534	1	1	22672105/0	Bricka .....	Washer.....			
	535	1	1	12508120/0	Tallriksbricka.....	Cup washer .....			
	536	1	1	22041940/0	Bussning .....	Bushing .....			
	537	1	1	12736850/0	Skruv .....	Screw .....			
	538	1	1	12139100/0	Kil .....	Key .....			
	551	1	1	22486116/0	Uppsamlare- överdel.....	Grassbox- upper.....			
	552	1	1	22486098/0	Platta .....	Plate .....			
	561	2	2	12521460/0	Bricka .....	Washer.....			
	563	1	1	22608518/0	Trådbygel.....	Wire frame .....			
	564	1	1	81002239/0	Uppsamlingsäck .....	Collecting bag .....			



Utgåva Issue 2008- 12		Bildnr Picture No 2139A		TURBO 45S COMBI HJULUPPHÄNGNING TRANSMISSION		TURBO 45S COMBI WHEEL SUSPENSION TRANSMISSION		Sida Page 178	
Pos. Fig.	Antal/Quantity			Art nr Part No	Benämning	Description	Sats Kit	Anmärkning Notes	
	1234 -42	1281 -42							
21	2	2		22545160/0	Överfall .....	Clamp.....			
22	2	2		12735664/0	Skruv .....	Screw .....			
23	2	2		12604898/0	Starlock .....	Lock washer .....			
24	1	1		22446181/0	Fjäder.....	Spring .....			
25	2	2		22785153/0	Bussning .....	Bushing.....			
26	4	4		12735664/0	Skruv .....	Screw .....			
31	1	1		22399808/0	Handtag .....	Handgrip .....			
32	1	1		22321515/0	Höjdinst.spak.....	Height adjust lever .....			
33	2	2		12735661/0	Skruv .....	Screw .....			
34	2	2		12728300/0	Skruv .....	Screw .....			
35	1	1		22735563/0	Höjdinst.sektor .....	Height adjust sector .....			
225	1	1		81002843/0	Hjulaxel.....	Wheel axle.....			
226	2	2		22430210/0	Fjäder.....	Spring .....			
227	2	2		12521370/0	Bricka .....	Washer .....			
228	4	4		22122200/0	Kullager .....	Ball bearing .....			
229	2	2		81007351/0	Hjul .....	Wheel .....			
230	2	2		12521460/0	Bricka .....	Washer .....			
231	2	2		12735662/0	Skruv .....	Screw .....			
232	2	2		22110347/0	Navkapsel- grå .....	Hub cap- grey .....			
233	1	1		22033321/0	Höjdinst.stång .....	Height adjust rod .....			
234	1	1		81002841/0	Hjulaxel.....	Wheel axle.....			
235	2	2		22430215/0	Fjäder.....	Spring .....			
236	2	2		22600121/0	Hjulskydd.....	Wheel protection .....			
237	2	2		12521460/0	Bricka .....	Washer .....			
238	2	2		12735662/0	Skruv .....	Screw .....			
239	2	2		22570125/0	Drev .....	Pinion.....			
241	2	2		81007351/0	Hjul .....	Wheel .....			
242	4	4		22122201/0	Kullager .....	Ball bearing .....			
243	2	2		12521460/0	Bricka .....	Washer .....			
244	2	2		12735662/0	Skruv .....	Screw .....			
245	2	2		22110348/0	Navkapsel- grå .....	Hub cap- grey .....			
401	2	2		12000957/0	Låsring .....	Lock ring .....			
402	2	2		12520032/0	Bricka .....	Washer .....			
403	2	2		22160520/0	Skyddsbricka .....	Dust cover.....			
405	2	2		22076645/0	Kil .....	Key .....			
406	2	2		22170630/0	Distans .....	Spacer .....			
407	2	2		22753002/0	Stift .....	Pin .....			
408	2	2		12520032/0	Bricka .....	Washer .....			
409	2	2		19035152/0	Tätningring .....	Seal ring .....			
412	1	1		12620310/0	• Stift .....	• Pin.....			
413	1	1		22601913/0	• Remskiva.....	• Belt pulley .....			
414	1	1		81003084/0	Transmission kpl .....	Transmission assy .....		Inkl. pos 412 - 413	
415	1	1		1111- 9053- 01	Drivrem .....	Drive belt.....			
416	1	1		22601918/0	Remskiva.....	Belt pulley .....			
417	1	1		12714312/0	Stift .....	Dowel pin .....			
418	1	1		22450434/0	Fjäder.....	Spring .....			



Utgåva Issue		Bildnr Picture No		TURBO PRO 45S COMBI HJULUPPHÄNGNING TRANSMISSION		TURBO PRO 45S COMBI WHEEL SUSPENSION TRANSMISSION		Sida Page	
2008- 12		1937A						180	
Pos. Fig.	Antal/Quantity				Art nr Part No	Benämning	Description	Sats Kit	Anmärkning Notes
	1203 -22								
	21	2			22545160/0	Överfall .....	Clamp.....		
	22	2			12735664/0	Skruv .....	Screw .....		
	23	2			12604898/0	Starlock .....	Lock washer .....		
	24	1			22446181/0	Fjäder.....	Spring .....		
	25	2			22785153/0	Bussning .....	Bushing.....		
	26	4			12735664/0	Skruv .....	Screw .....		
	31	1			22399808/0	Handtag .....	Handgrip .....		
	32	1			22321515/0	Höjdinst.spak.....	Height adjust lever .....		
	33	2			12735661/0	Skruv .....	Screw .....		
	34	2			12728300/0	Skruv .....	Screw .....		
	35	1			22735563/0	Höjdinst.sektor .....	Height adjust sector .....		
X	275	1			81002817/0	Hjulaxel.....	Wheel axle.....		
	276	2			22430210/0	Fjäder.....	Spring .....		
X	277	2			381007384/0	Hjul m.lager .....	Wheel w.bearing .....		Ø 190 mm
	278	1			22160522/0	• Dammskydd .....	• Dust cover .....		
	279	2			19216039/0	• Kullager .....	• Ball bearing .....		
	280	2			12521460/0	Bricka .....	Washer.....		
	281	2			12735662/0	Skruv .....	Screw .....		
	282	2			22110379/0	Navkapsel .....	Hub cap.....		
	283	1			22033322/0	Höjdinst.stång .....	Height adjust rod .....		
	284	1			81002823/0	Hjulaxel.....	Wheel axle.....		
	285	2			22170810/0	Distans .....	Spacer .....		
	286	2			22430215/0	Fjäder.....	Spring .....		
	287	2			22600127/0	Hjulskydd.....	Wheel protection.....		
	288	2			22570126/0	Drev .....	Pinion.....		
	289	2			81007367/0	Hjul m.lager .....	Wheel w.bearings.....		Ø 205 mm
	290	8			12728210/0	• Skruv .....	• Screw .....		
	291	2			22120108/0	• Ringdrev .....	• Ring gear .....		
	292	2			19216038/0	• Lager .....	• Bearing .....		
	293	2			22671655/0	Bricka .....	Washer.....		
	294	2			12735592/0	Skruv .....	Screw .....		
	295	2			22110380/0	Navkapsel .....	Hub cap.....		
	401	2			12000957/0	Låsring .....	Lock ring.....		
	402	2			12520032/0	Bricka .....	Washer.....		
	403	2			22160520/0	Skyddsbricka.....	Dust cover.....		
	405	2			22076645/0	Kil .....	Key .....		
	406	2			22170630/0	Distans .....	Spacer.....		
	407	2			22753002/0	Stift .....	Pin .....		
	408	2			12520032/0	Bricka .....	Washer.....		
	409	2			19035152/0	Tätningring .....	Seal ring.....		
	412	1			12620310/0	• Stift .....	• Pin.....		
	413	1			22601913/0	• Remskiva .....	• Belt pulley .....		
	414	1			81003084/0	Transmission kpl .....	Transmission assy .....		
	415	1			1111- 9053- 01	Drivrem .....	Drive belt.....		
	416	1			22601918/0	Remskiva.....	Belt pulley .....		
	417	1			12714312/0	Stift.....	Dowel pin .....		
	418	1			22450434/0	Fjäder.....	Spring .....		