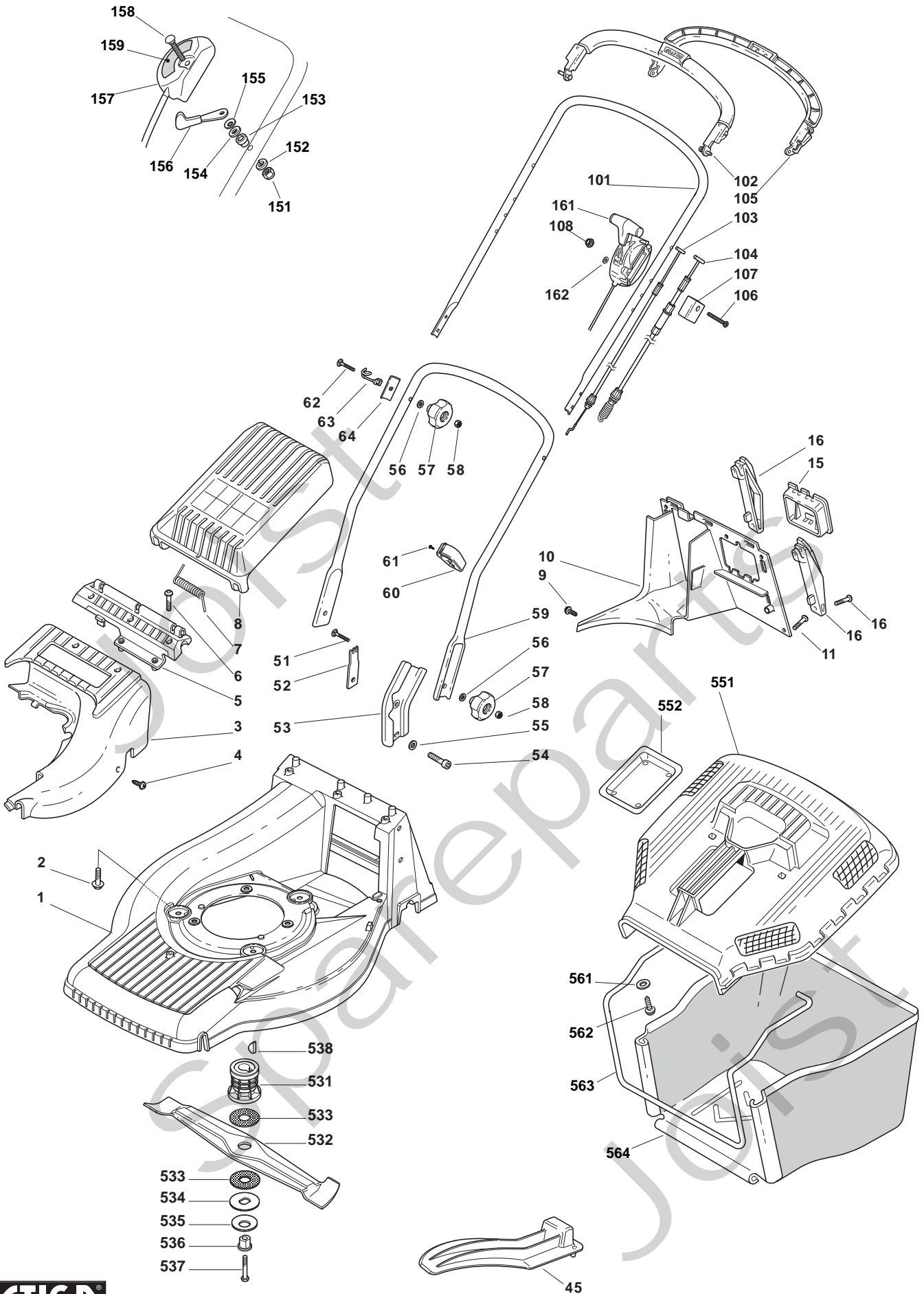


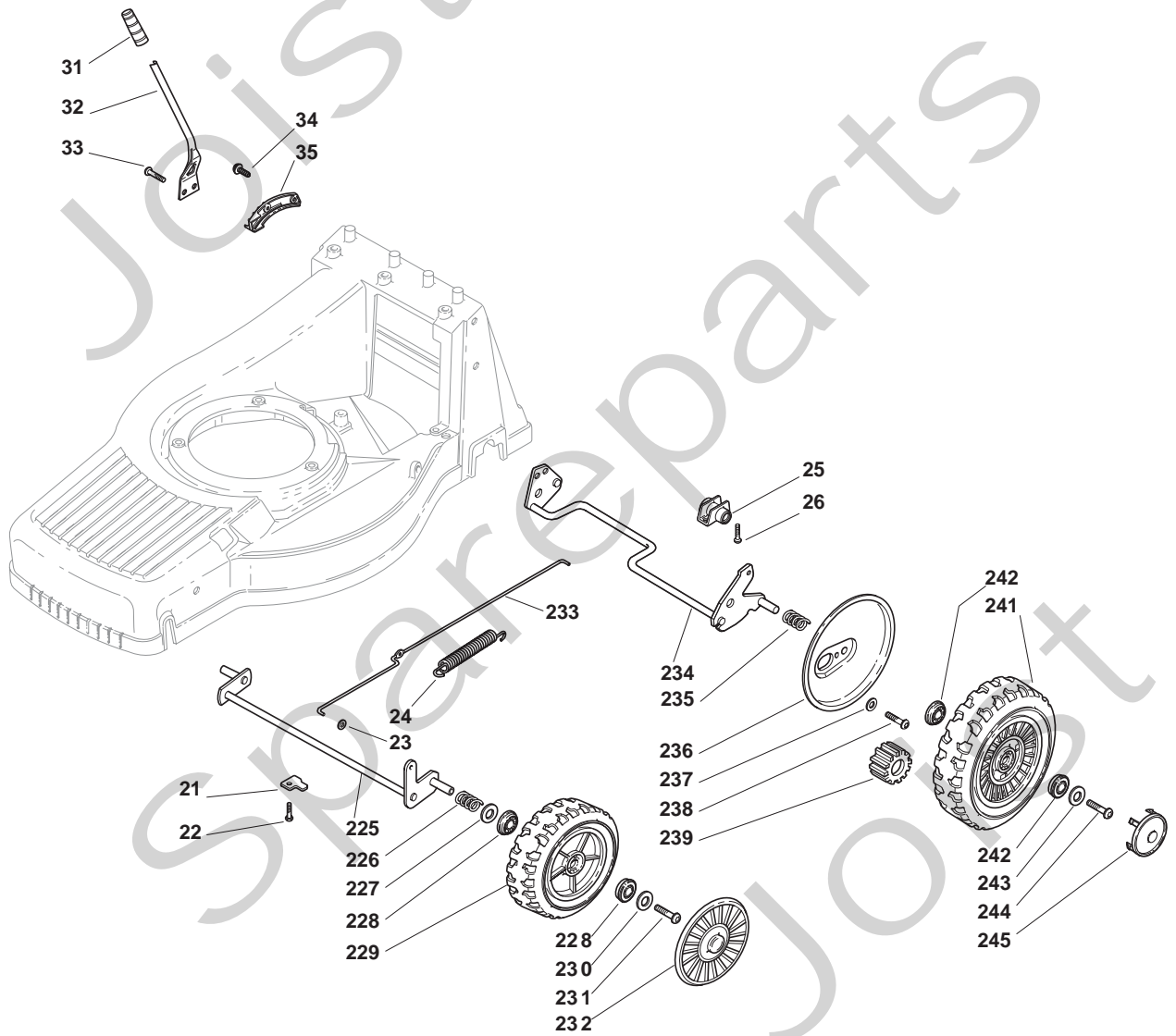
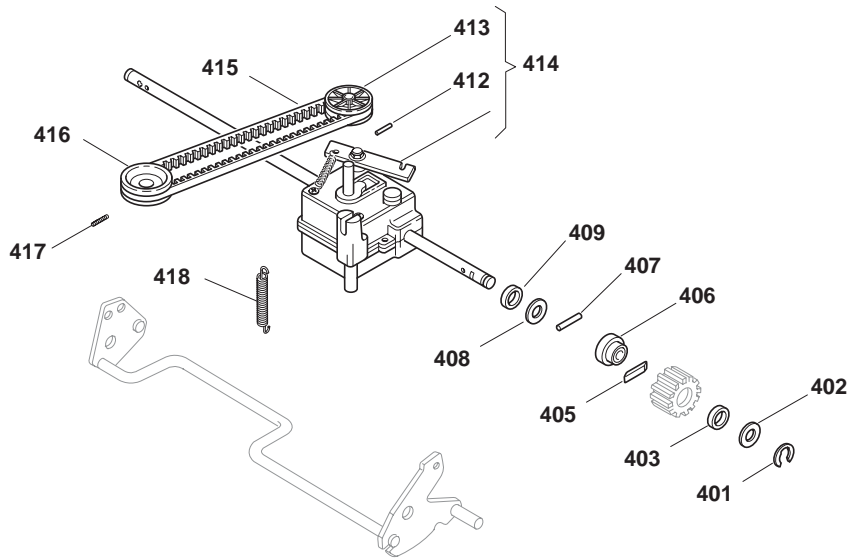
Genuine Spare Parts



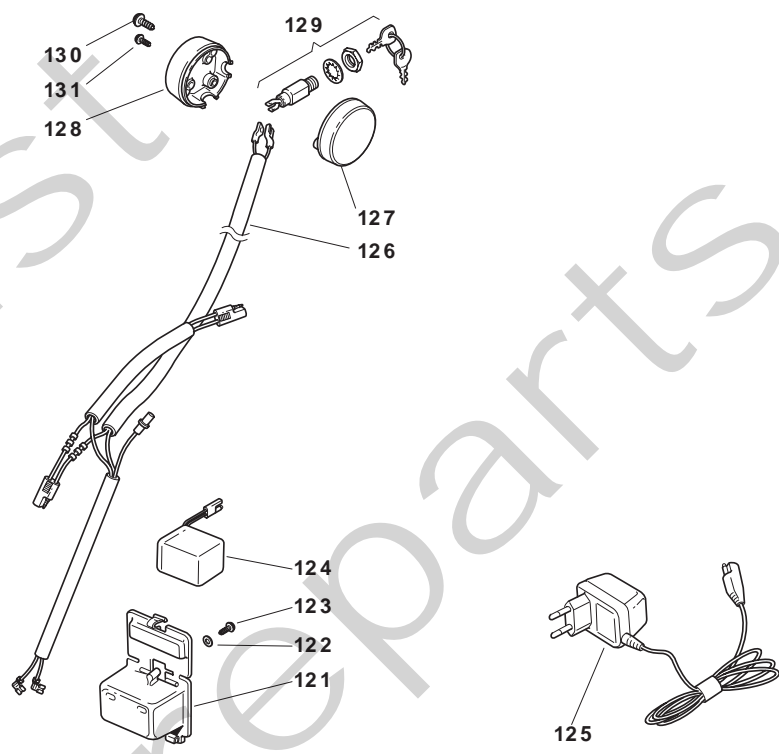
Joist
Spareparts
Joist



Utgåva Issue		Bildnr Picture No		TURBO 50S COMBI CHASSI STYRE		TURBO 50S COMBI CHASSIS HANDLE		Sida Page	
2008- 12		2302						186	
Pos. Fig.	Antal/Quantity			Art nr Part No	Benämning	Description	Sats Kit	Anmärkning Notes	
	5230 -25	5238 -25	5286 -45						
X 1	1	1	1	81002661/0	Chassi-grå.....	Chassis- grey			
2	3	3	3	112735108/1	Skruv	Screw			
3	1	1	1	22060152/0	Kåpa- gul	Cover- yellow			
4	3	3	3	12728300/0	Skruv	Screw			
5	1	1	1	22785157/0	Luckfäste- gul	Support- yellow			
6	3	3	3	12735664/0	Skruv	Screw			
7	1	1	1	22450443/0	Fjäder.....	Spring			
8	1	1	1	22600069/1	Lucka- gul	Stone guard			
9	1	1	1	12728300/0	Skruv	Screw			
10	1	1	1	22108277/0	Bakstam.....	Rear conveyer.....			
11	3	3	3	12735664/0	Skruv	Screw			
15	1	1	1	22109531/0	Lock.....	Cover			
16	1	1	1	81008658/1	Fäste kpl.....	Attachments assy.....			
45	1	1	1	22140231/0	Mulchplugg	Mulch plug			
51	2	2	2	12820655/0	Skruv	Screw			
52	1	1	1	22551635/0	Platta	Plate			
53	2	2	2	22778405/0	Styrfäste.....	Handle support			
54	2	2	2	12760515/0	Skruv	Screw			
55	2	2	2	12521350/0	Bricka	Washer.....			
56	4	4	4	12521350/0	Bricka	Washer.....			
57	4	4	4	22399810/0	Låsraff	Locking knob			
58	4	4	4	12361005/0	Mutter.....	Nut			
59	1	1	1	81006631/0	Styre- underdel, gul	Handle- lower, yellow			
60	1	1	1	22192001/0	Kabelhållare	Cable holder			
61	1	1	1	12728691/0	Skruv	Screw			
62	2	2	2	12820655/0	Skruv	Screw			
63	1	1	1	22430311/0	Ögla	Eyelinke			
64	2	2	2	22545137/0	Förstärkning	Reinforcement.....			
101	1	1	1	81006632/1	Styre- överdel, gul	Handle- upper, yellow			
102	1	1	1	81003298/1	Reglagebygel	Control lever			
103	1	1	1	81000687/0	Motorbromswire.....	Engine brake cable		GGP	
103				81000688/0	Motorbromswire.....	Engine brake cable		B&S	
104	1	1	1	81000697/0	Kopplingswire.....	Clutch cable			
105	1	1	1	81003297/1	Reglagebygel- drivning	Control lever- drive.....			
106	1	1	1	12727783/0	Skruv	Screw		40 mm	
106			1	12727786/0	Skruv	Screw		60 mm	
107	1	1	1	22551640/0	Wirefäste	Wire bracket.....			
108	1	1	1	12154510/0	Mutter.....	Nut			
151	1	1	1	12291000/0	Mutter.....	Nut			
152	1	1	1	12581500/0	Låsbricka	Washer.....			
153	1	1	1	22171005/0	Distans	Spacer.....			
154	1	1	1	12521360/0	Bricka	Washer.....			
155	1	1	1	12508100/0	Låsbricka	Washer.....			
156	1	1	1	81007279/1	Gasarm.....	Throttle lever.....			
157	1	1	1	81007080/0	Gaswire	Throttle cable			
158	1	1	1	12815000/0	Skruv	Screw			
159	1	1	1	14356702/0	Dekal	Label			
161			1	81007128/0	Gasreglage.....	Throttle control			
162			1	12523040/0	Bricka	Washer.....			
531	1	1	1	1111- 9127- 01	Knivfäste.....	Blade holder			
532	1	1	1	1111- 9129- 01	Kniv	Blade			
533	2	2	2	22672111/0	Friktionskiva.....	Friction disc			
534	1	1	1	22672105/0	Bricka	Washer.....			
535	1	1	1	12508120/0	Tallriksbricka.....	Cup washer			
536	1	1	1	22041940/0	Bussning	Bushing.....			
537	1	1	1	12736850/0	Skruv	Screw			
538	1	1	1	12139100/0	Kil	Key			
551	1	1	1	22486096/1	Uppsamlare- överdel.....	Grassbox- upper.....			
552	1	1	1	22486098/0	Platta	Plate			
561	2	2	2	12521460/0	Bricka	Washer.....			
562	2	2	2	12728300/0	Skruv	Screw			
563	1	1	1	22608528/0	Trådbygel.....	Wire frame			
564	1	1	1	81002235/0	Uppsamlingsäck	Collecting bag			



Utgåva Issue 2008- 12		Bildnr Picture No 1935B		TURBO 50S COMBI HJULUPPHÄNGNING TRANSMISSION		TURBO 50S COMBI WHEEL SUSPENSION TRANSMISSION		Sida Page 188	
Pos. Fig.	Antal/Quantity			Art nr Part No	Benämning	Description	Sats Kit	Anmärkning Notes	
	5230 -25	5238 -25	5286 -45						
21	2	2	2	22545160/0	Överfall	Clamp.....			
22	2	2	2	12735664/0	Skruv	Screw			
23	2	2	2	12604898/0	Starlock	Lock washer			
24	1	1	1	22446181/0	Fjäder.....	Spring			
25	2	2	2	22785153/0	Bussning	Bushing.....			
26	4	4	4	12735664/0	Skruv	Screw			
31	1	1	1	22399808/0	Handtag	Handgrip			
32	1	1	1	22321515/0	Höjdinst.spak.....	Height adjust lever			
33	2	2	2	12735661/0	Skruv	Screw			
34	2	2	2	12728300/0	Skruv	Screw			
35	1	1	1	22735563/0	Höjdinst.sektor	Height adjust sector			
225	1	1	1	81002845/0	Hjulaxel.....	Wheel axle.....			
226	2	2	2	22430210/0	Fjäder.....	Spring			
227	2	2	2	12521370/0	Bricka	Washer			
228	4	4	4	22122200/0	Kullager	Ball bearing			
229	2	2	2	81007351/0	Hjul	Wheel			
230	2	2	2	12521460/0	Bricka	Washer			
231	2	2	2	12735662/0	Skruv	Screw			
232	2	2	2	22110347/0	Navkapsel- grå	Hub cap- grey			
233	1	1	1	22033322/0	Höjdinst.stång	Height adjust rod			
234	1	1	1	81002823/0	Hjulaxel.....	Wheel axle.....			
235	2	2	2	22430215/0	Fjäder.....	Spring			
236	2	2	2	22600121/0	Hjulskydd.....	Wheel protection.....			
237	2	2	2	12521460/0	Bricka	Washer			
238	2	2	2	12735662/0	Skruv	Screw			
239	2	2	2	22570125/0	Drev	Pinion.....			
241	2	2	2	81007361/0	Hjul	Wheel			
242	4	4	4	22122201/0	Kullager	Ball bearing			
243	2	2	2	12521460/0	Bricka	Washer			
244	2	2	2	12735662/0	Skruv	Screw			
245	2	2	2	22110384/0	Navkapsel	Hub cap.....			
401	2	2	2	12000957/0	Låsring	Lock ring.....			
402	2	2	2	12520032/0	Bricka	Washer			
403	2	2	2	22160520/0	Skyddsbricka	Dust cover.....			
405	2	2	2	22076645/0	Kil	Key			
406	2	2	2	22170630/0	Distans	Spacer			
407	2	2	2	22753002/0	Stift	Pin			
408	2	2	2	12520032/0	Bricka	Washer			
409	2	2	2	19035152/0	Tätningring	Seal ring.....			
412	1	1	1	12620310/0	• Stift	• Pin.....			
413	1	1	1	22601913/0	• Remskiva.....	• Belt pulley			
414	1	1	1	81003085/0	Transmission kpl	Transmission assy			
415	1	1	1	1111- 9061- 01	Drivrem	V- belt.....			
416	1	1	1	22601918/0	Remskiva.....	Belt pulley			
417	1	1	1	12714312/0	Stift	Dowel pin.....			
418	1	1	1	22450434/0	Fjäder.....	Spring			



Utgåva Issue		Bildnr Picture No		TURBO 50SE ELSTART		TURBO 50SE ELECTRIC START		Sida Page	
2008- 12		1940A						190	
Pos. Fig.	Antal/Quantity				Art nr Part No	Benämning	Description	Sats Kit	Anmärkning Notes
	5238 -25								
121	1				22109533/0	Batterilåda	Battery box.....		UK- special
122	1				12523040/0	Bricka	Washer		
123	1				12728691/0	Skruv	Screw		
124	1				18120052/0	Batteri	Battery		
125	1				18204120/0	Batteriladdare	Battery charger		
125	1				18204121/0	Batteriladdare	Battery charger		
126	1				18204195/0	Kablage.....	Cable harness		
127	1				22722801/0	Lock.....	Cover		
128	1				22722800/0	Hus.....	Housing		
129	1				18450050/0	Tändningslås	Switch		
130	2				12728702/0	Skruv	Screw		
131	1				12728691/0	Skruv	Screw		