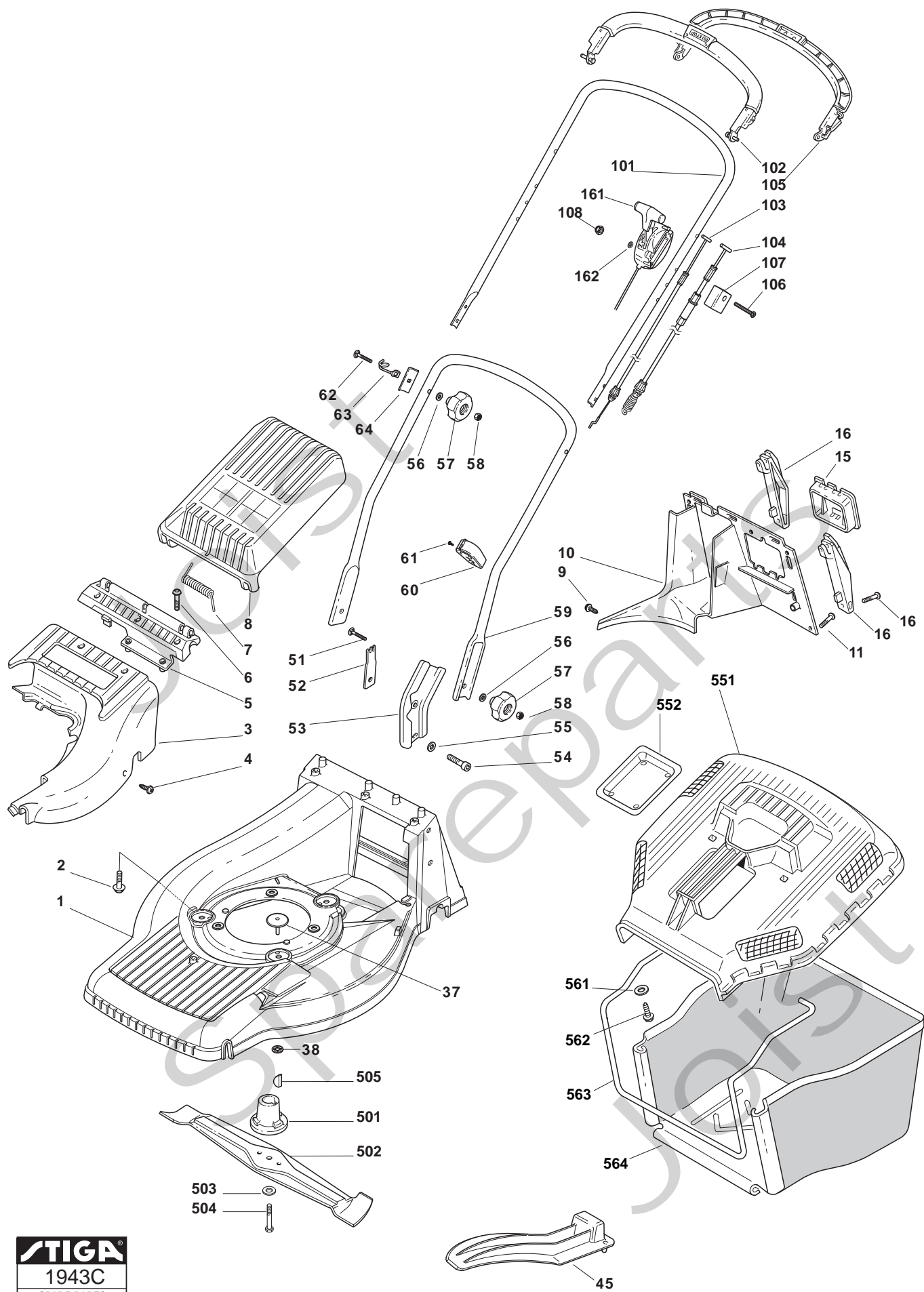


# Genuine Spare Parts

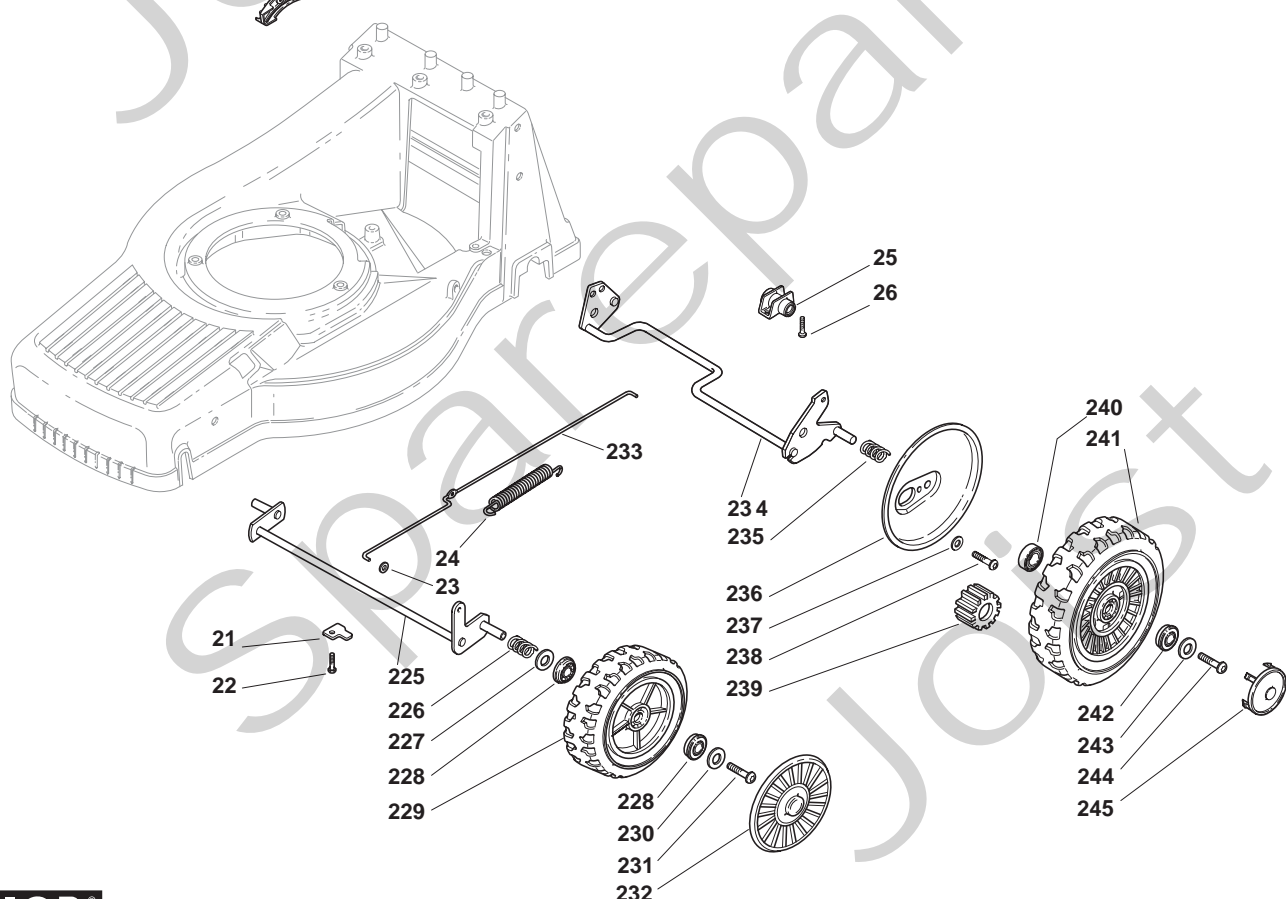
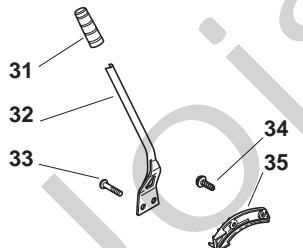
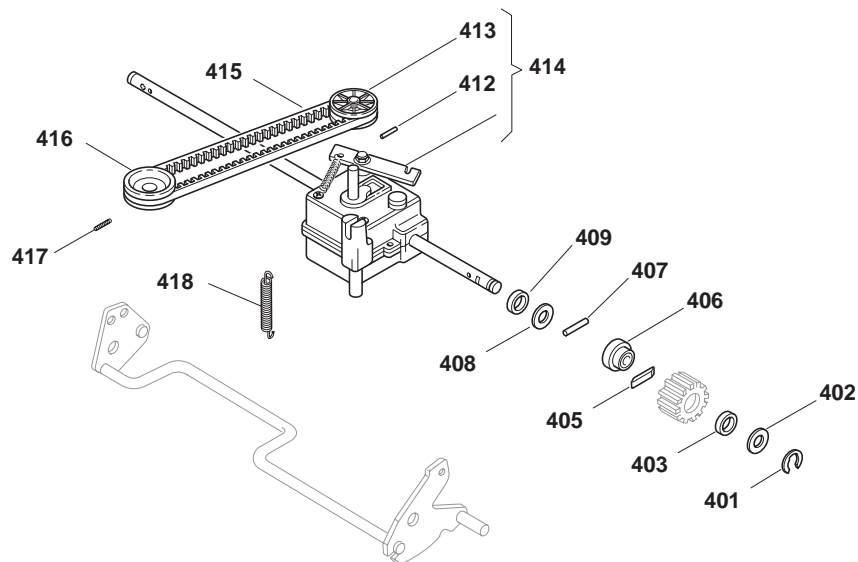
---



Spareparts  
Joist



Utgåva Issue 2008- 12		Bildnr Picture No 1943C		TURBO 55S COMBI CHASSI STYRE		TURBO 55S COMBI CHASSIS HANDLE		Sida Page 200	
Pos. Fig.	Antal/Quantity			Art nr Part No	Benämning	Description	Sats Kit	Anmärkning Notes	
	9204 -62	9286 -82							
X	1	1	1	81002660/0	Chassi- gul.....	Chassis- yellow .....			
	2	3	3	112735108/1	Skruv .....	Screw .....			
	3	1	1	22060154/0	Kåpa- gul .....	Cover- yellow .....			
	4	3	3	12728300/0	Skruv .....	Screw .....			
	5	1	1	22785157/0	Luckfäste- gul .....	Support- yellow .....			
	6	3	3	12735664/0	Skruv .....	Screw .....			
	7	1	1	22450443/0	Fjäder.....	Spring .....			
	8	1	1	22600069/1	Lucka- gul.....	Stone guard .....			
	9	1	1	12728300/0	Skruv .....	Screw .....			
	10	1	1	22108277/0	Bakstam.....	Rear conveyor.....			
	11	3	3	12735664/0	Skruv .....	Screw .....			
	15	1	1	22109531/0	Lock.....	Cover .....			
	16	1	1	81008658/1	Fäste kpl .....	Attachments assy.....			
	37	1	1	22820055/0	Plugg- gul .....	Cap- yellow.....			
	38	1	1	12604899/0	Låsbricka .....	Lock washer .....			
	45	1	1	22140232/0	Mulchplugg .....	Mulch plug .....			
	51	2	2	12820655/0	Skruv .....	Screw .....			
	52	1	1	22551635/0	Platta .....	Plate .....			
	53	2	2	22778405/0	Styrfäste .....	Handle support .....			
	54	2	2	12760515/0	Skruv .....	Screw .....			
	55	2	2	12521350/0	Bricka .....	Washer .....			
	56	4	4	12521350/0	Bricka .....	Washer.....			
	57	4	4	22399810/0	Lås ratt .....	Locking knob .....			
	58	4	4	12361005/0	Mutter.....	Nut .....			
	59	1	1	81006613/0	Styre- underdel, svart .....	Handle- lower, black .....			
	60	1	1	22192001/0	Kabelhållare .....	Cable holder .....			
	61	1	1	12728691/0	Skruv .....	Screw .....			
	62	2	2	12820655/0	Skruv .....	Screw .....			
	63	1	1	22430311/0	Ögla .....	Eyelink .....			
	64	2	2	22545137/0	Förstärkning .....	Reinforcement.....			
	101	1	1	81006618/1	Styre- överdel, svart.....	Handle- upper, black.....			
	102	1	1	81003298/1	Reglagebygel .....	Control lever .....			
	103	1	1	81000688/0	Motorbromswire .....	Engine brake cable .....			
	104	1	1	81000697/0	Kopplingswire .....	Clutch cable .....			
	105	1	1	81003297/1	Reglagebygel- drivning .....	Control lever- drive.....			
	106		1	12727783/0	Skruv .....	Screw .....		40 mm	
	106	1		12727787/0	Skruv .....	Screw .....		70 mm	
	107	1	1	22551640/0	Wirefäste .....	Wire bracket.....			
	108	1	1	12154510/0	Mutter.....	Nut .....			
	161	1		81007126/0	Gasreglage.....	Throttle control .....			
	162	1		12523040/0	Bricka .....	Washer.....			
	501		1	1111- 9070- 01	Knivfäste.....	Blade holder .....		Hole Ø=22,2 mm	
X	501	1		122465630/0	Knivfäste.....	Blade holder .....		Hole Ø=25 mm	
	502	1	1	1111- 9091- 01	Kniv .....	Blade .....			
	503	1	1	12530140/0	Bricka .....	Washer.....			
	504	1	1	12735698/0	Skruv .....	Screw .....			
	505		1	12139100/0	Kil .....	Key .....			
X	505	1		12139150/0	Kil .....	Key .....			
	551	1	1	22486096/1	Uppsammlare- överdel.....	Grassbox- upper.....			
	552	1	1	22486098/0	Platta .....	Plate .....			
	561	2	2	12521460/0	Bricka .....	Washer.....			
	562	2	2	12728300/0	Skruv .....	Screw .....			
	563	1	1	22608528/0	Trådbygel.....	Wire frame .....			
	564	1	1	81002235/0	Uppsamlingssäck .....	Collecting bag .....			



Utgåva Issue 2008- 12		Bildnr Picture No 1949B		TURBO 55S COMBI HJULUPPHÄNGNING TRANSMISSION		TURBO 55S COMBI WHEEL SUSPENSION TRANSMISSION		Sida Page 202	
Pos. Fig.	Antal/Quantity			Art nr Part No	Benämning	Description	Sats Kit	Anmärkning Notes	
	9204 -62	9286 -82							
21	2	2		22545160/0	Överfall .....	Clamp.....			
22	2	2		12735664/0	Skruv .....	Screw .....			
23	2	2		12604898/0	Starlock .....	Lock washer .....			
24	1	1		22446181/0	Fjäder.....	Spring .....			
25	2	2		22785153/0	Bussning .....	Bushing.....			
26	4	4		12735664/0	Skruv .....	Screw .....			
31	1	1		22399808/0	Handtag .....	Handgrip .....			
32	1	1		22321515/0	Höjdinst.spak.....	Height adjust lever .....			
33	2	2		12735661/0	Skruv .....	Screw .....			
34	2	2		12728300/0	Skruv .....	Screw .....			
35	1	1		22735563/0	Höjdinst.sektor .....	Height adjust sector .....			
225	1	1		81002847/0	Hjulaxel.....	Wheel axle.....			
226	2	2		22430210/0	Fjäder.....	Spring .....			
227	2	2		12521370/0	Bricka .....	Washer .....			
228	4	4		22122200/0	Kullager .....	Ball bearing .....			
229	2	2		81007351/0	Hjul .....	Wheel .....			
230	2	2		12521460/0	Bricka .....	Washer .....			
231	2	2		12735662/0	Skruv .....	Screw .....			
232	2	2		22110347/0	Navkapsel- grå .....	Hub cap- grey .....			
233	1	1		22033323/0	Höjdinst.stång .....	Height adjust rod .....			
234	1	1		81002823/0	Hjulaxel.....	Wheel axle.....			
235	2	2		22430215/0	Fjäder.....	Spring .....			
236	2	2		22600121/0	Hjulskydd.....	Wheel protection .....			
237	2	2		12521460/0	Bricka .....	Washer .....			
238	2	2		12735662/0	Skruv .....	Screw .....			
239	2	2		22570125/0	Drev .....	Pinion .....			
240	2	2		19216038/0	Lager .....	Bearing.....			
241	2	2		81007362/0	Hjul .....	Wheel .....			
242	2	2		22122201/0	Kullager .....	Ball bearing .....			
243	2	2		12521460/0	Bricka .....	Washer .....			
244	2	2		12735662/0	Skruv .....	Screw .....			
245	2	2		22110384/0	Navkapsel .....	Hub cap .....			
401	2	2		12000957/0	Låsring .....	Lock ring .....			
402	2	2		12520032/0	Bricka .....	Washer .....			
403	2	2		22160520/0	Skyddsbricka .....	Dust cover .....			
405	2	2		22076645/0	Kil .....	Key .....			
406	2	2		22170630/0	Distans .....	Spacer .....			
407	2	2		22753002/0	Stift .....	Pin .....			
408	2	2		12520032/0	Bricka .....	Washer .....			
409	2	2		19035152/0	Tätningarring .....	Seal ring .....			
412	1	1		12620310/0	• Stift .....	• Pin .....			
413	1	1		22601913/0	• Remskiva .....	• Belt pulley .....			
414	1	1		81003085/0	Transmission kpl .....	Transmission assy .....			
415	1	1		1111-9167-01	Drivrem .....	Belt .....			
416	1			122601921/0	Remskiva .....	Belt pulley .....			
416		1		22601918/0	Remskiva .....	Belt pulley .....			
417	1	1		12714312/0	Stift .....	Dowel pin .....			
418	1	1		22450434/0	Fjäder.....	Spring .....			

X