

Genuine Spare Parts

www.stiga.com

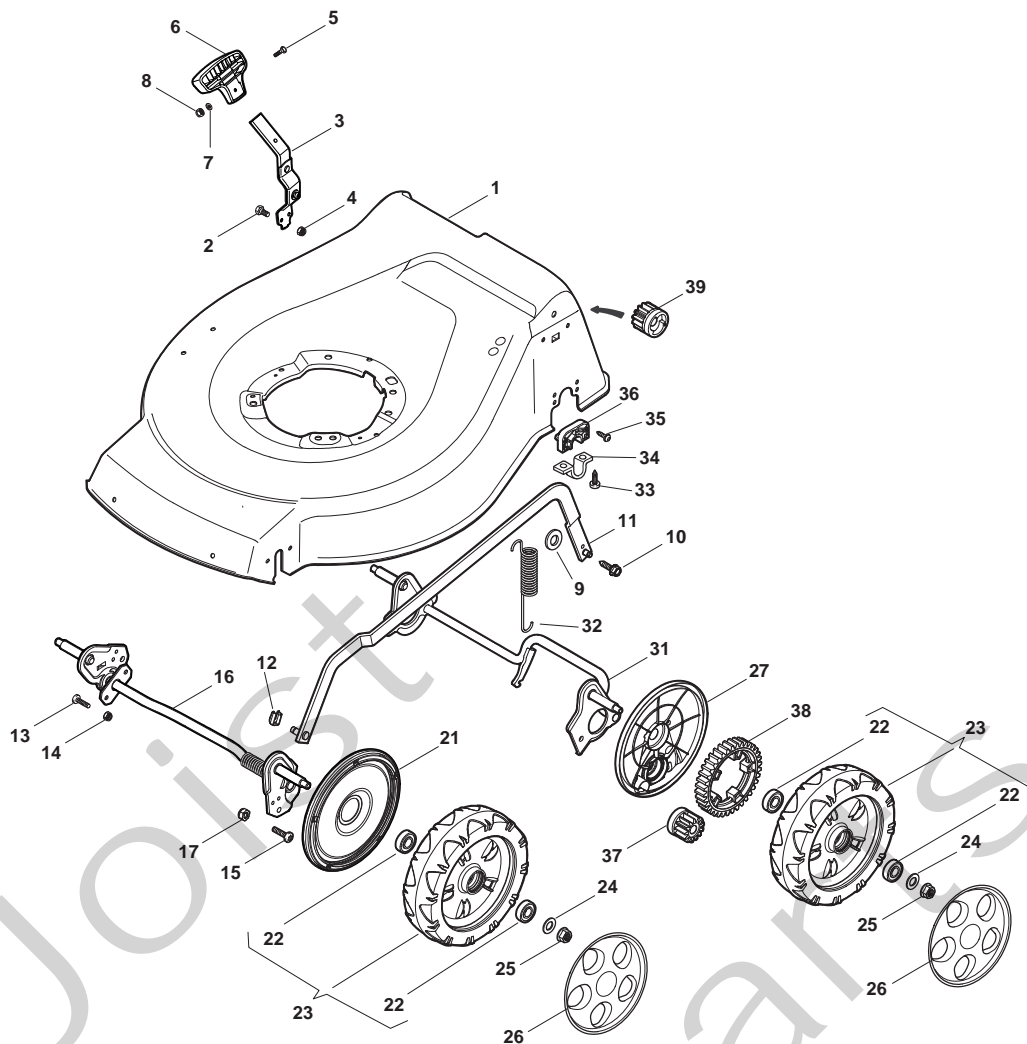
COMBI 48 S Model Year 2010

- Use GLOBAL GARDEN PRODUCT Genuine Spare Parts specified in the parts list for repair and/or replacement.
- The contents described in the parts list may change due to improvement.
- The drawings of the spare parts are only indicative and might not represent the part in question exactly.
- The indications "right" - "left" - "front" - "rear" refer to the position of the operator when using the machine.
- When placing orders of parts for repair and/or replacement, make sure that the illustrated parts list is the one applying to the machine's year of manufacture, as shown on the identification plate attached to the machine.

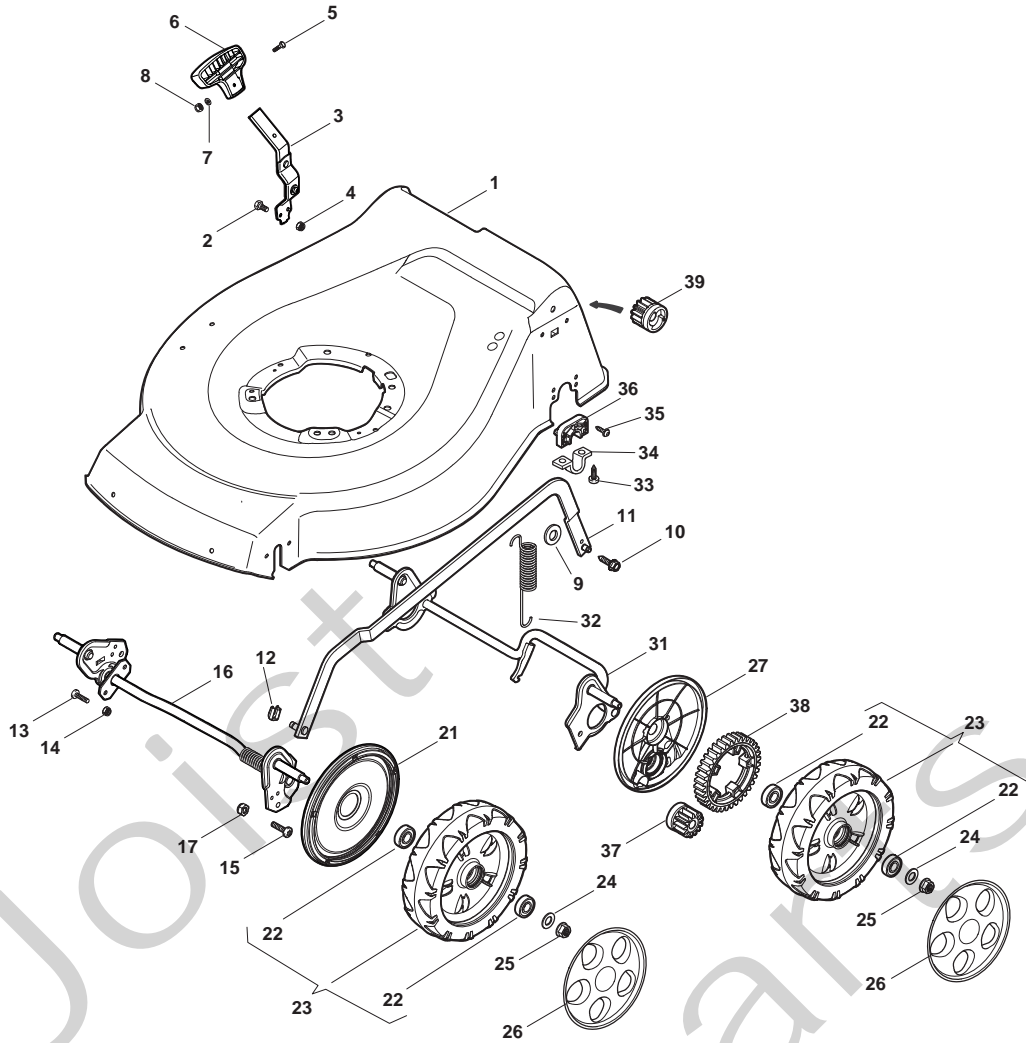
COPYRIGHT by GLOBAL GARDEN PRODUCTS

All rights reserved. No part of this material may be reproduced or transmitted, in any form or by any means, electronic or mechanical, including photocopying, recording or by any information storage and retrieval system, without permission in writing from GLOBAL GARDEN PRODUCTS.

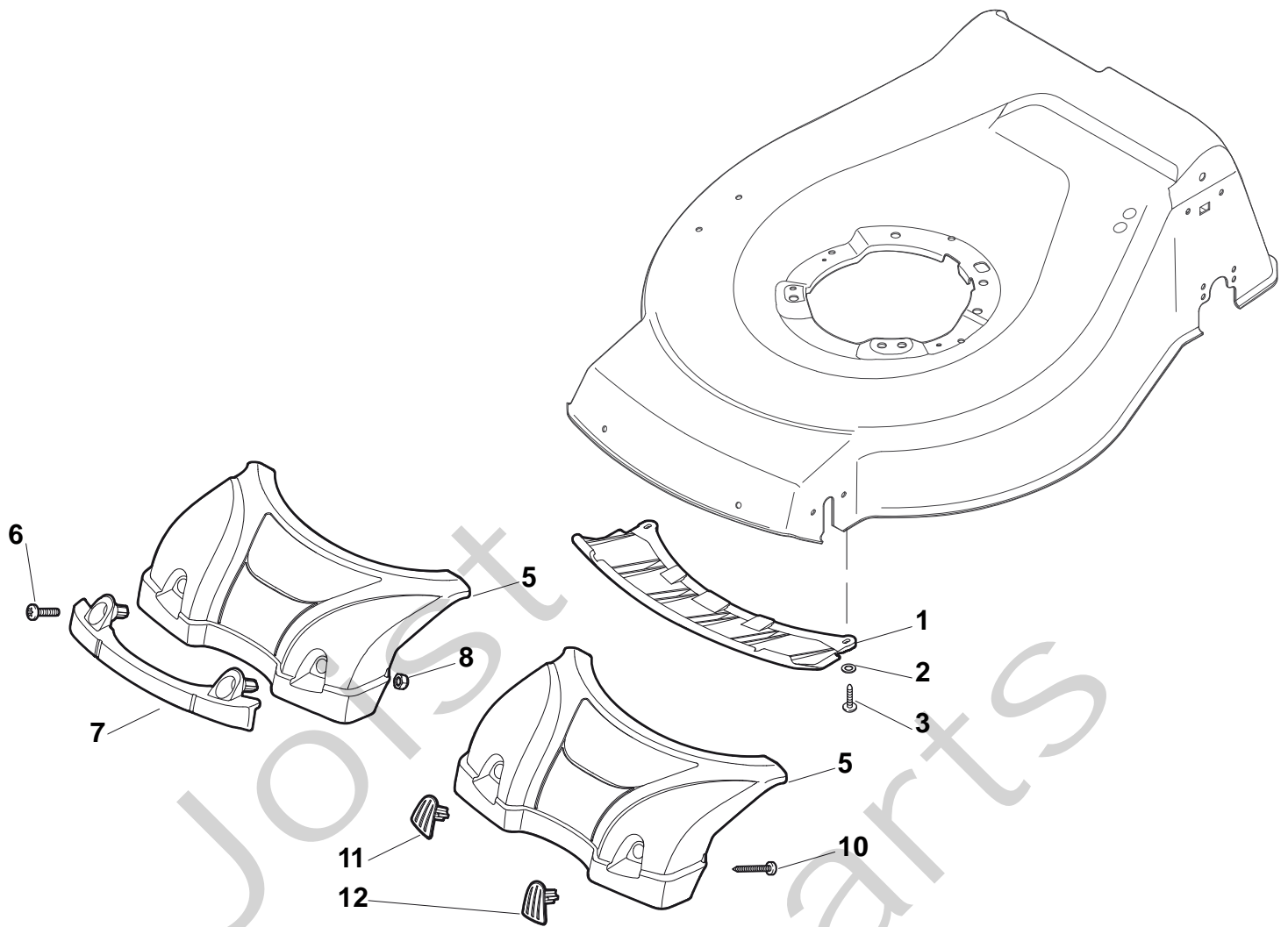
The STIGA logo is located in the bottom right corner of the page. It consists of the word "STIGA" in a bold, white, sans-serif font, with a registered trademark symbol (®) to its upper right. The text is set against a black rectangular background.

COMBI 48 S - Model Year 2010


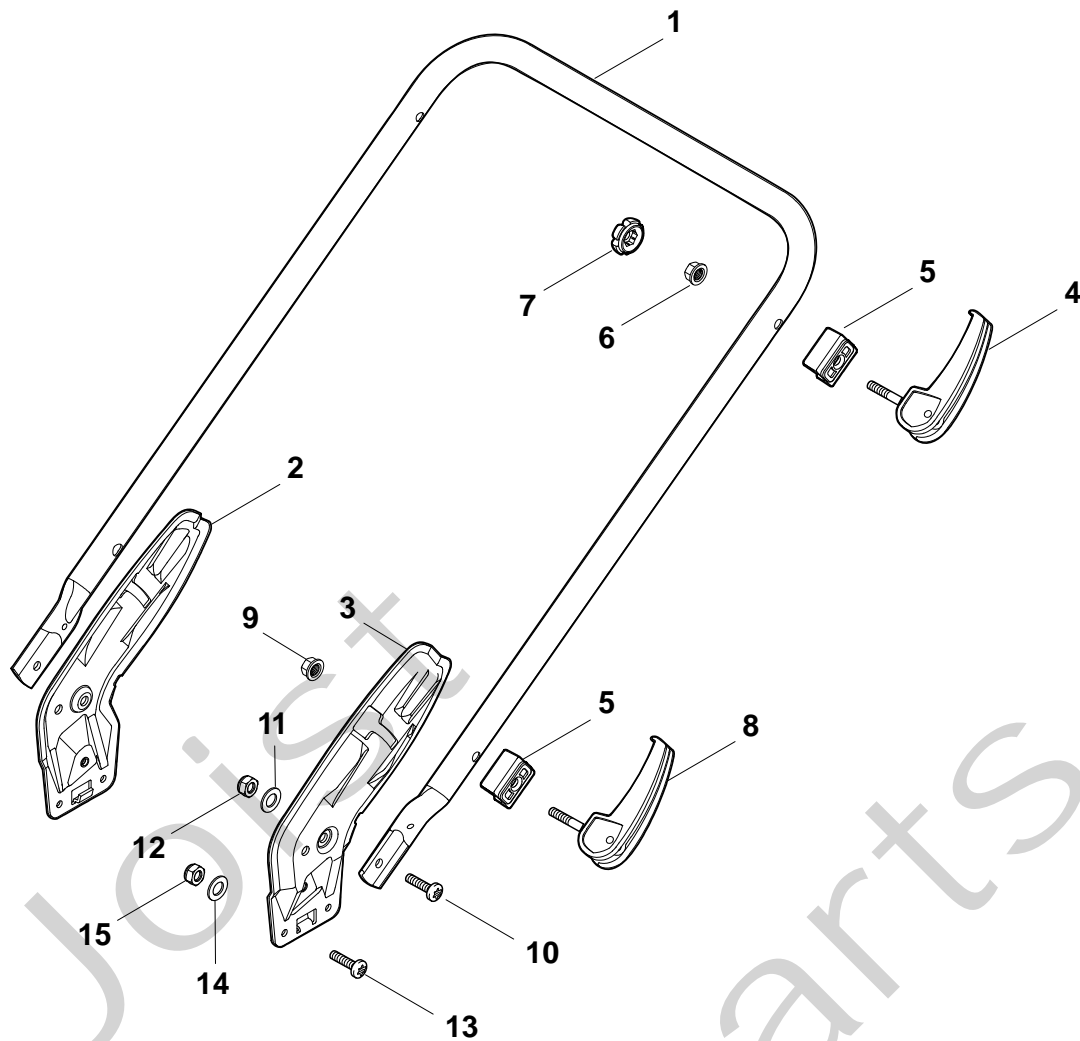
Pos. Fig.	Antal Quantity	Art No Part No	Benämning	Description	Anmärkning Notes
1	1	381003916/0	Chassi-svart	Deck Black	484
2	2	12789000/0	Skruv	Screw	
3	1	381003339/1	Höjdinst.spak	Lever, Height Adjustment	
4	2	12154330/0	Mutter	Nut	
5	1	12788512/0	Skruv	Screw	
6	1	322394503/0	Knopp	Knob	
7	1	12521310/0	Bricka	Washer	
8	1	12150000/0	Mutter	Nut	
9	1	12369500/0	Bricka	Washer	
10	1	122943013/0	Skruv	Screw	
11	1	381002029/0	Höjdinställn.stång	Rod, Height Adjustment	484
12	1	112436051/0	Plåt	Plate	
13	3	112727803/0	Skruv	Screw	
14	3	12154510/0	Mutter	Nut	
15	1	112727801/0	Skruv	Screw	
16	1	381002883/0	Hjulaxel	Axle, Front Wheels	484
17	1	12154510/0	Mutter	Nut	
21	2	322600145/0	Hjulskydd	Protection, Wheel	
22	8	19216035/0	Lager	Bearing	
23	4	381007416/0	Stödhjul	Wheel Ø 200	
24	4	12521350/0	Bricka	Washer	
25	4	12155000/0	Mutter	Nut	
26	4	322110595/0	Navkapsel-gul	Hub Cap Yellow	
27	2	322600193/0	Hjulskydd	Protection, Wheel	
31	1	381002891/0	Hjulaxel	Axle, Rear Wheels	
32	1	122450460/0	Fjäder	Spring	
33	4	112728697/0	Skruv	Screw	
34	2	22545152/0	Bygel	Plate	

COMBI 48 S - Model Year 2010


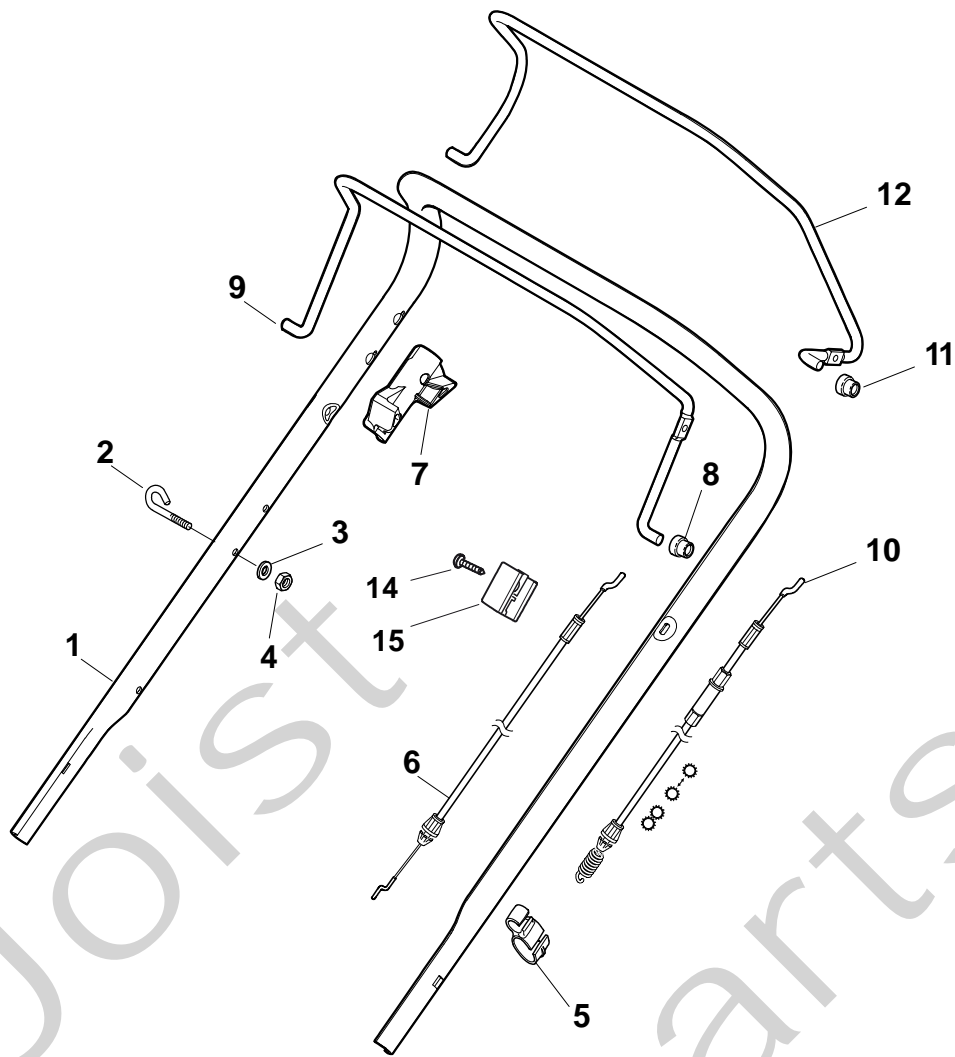
Pos. Fig.	Antal Quantity	Art No Part No	Benämning	Description	Anmärkning Notes
35	4	112728697/0	Skruv	Screw	
36	2	322785304/0	Stöd	Support	
37	1	22570120/1	Drev	Pinion L	
38	2	322120114/0	Ringdrev	Ring Gear	
39	1	22570110/1	Drev	Pinion R	



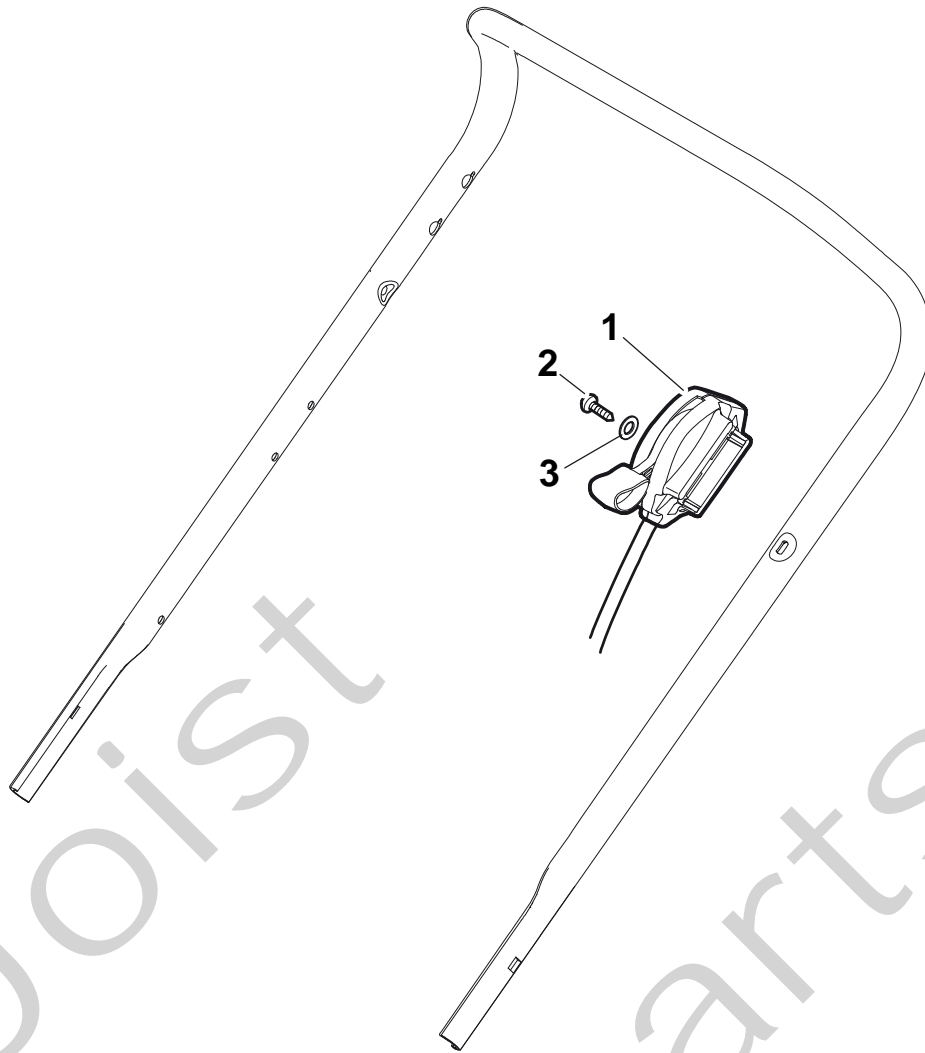
Pos. Fig.	Antal Quantity	Art No Part No	Benämning	Description	Anmärkning Notes
1	1	322500102/0	Air Intake Grill	Air Intake Grill	
2	2	112523000/1	Bricka	Washer	
3	2	12728124/0	Skruv	Screw	
5	1	322226151/0	Frontkåpa-svart	Mask, Black	
6	2	112727799/0	Skruv	Screw	
7	1	322393640/0	Handtag-gul	Handle, Yellow	
8	2	12154510/0	Mutter	Nut	
10	2	112728697/0	Skruv	Screw	
11	1	322820082/0	Lock svart	Cap, Black	
12	1	322820083/0	Lock svart	Cap, Black	

COMBI 48 S - Model Year 2010


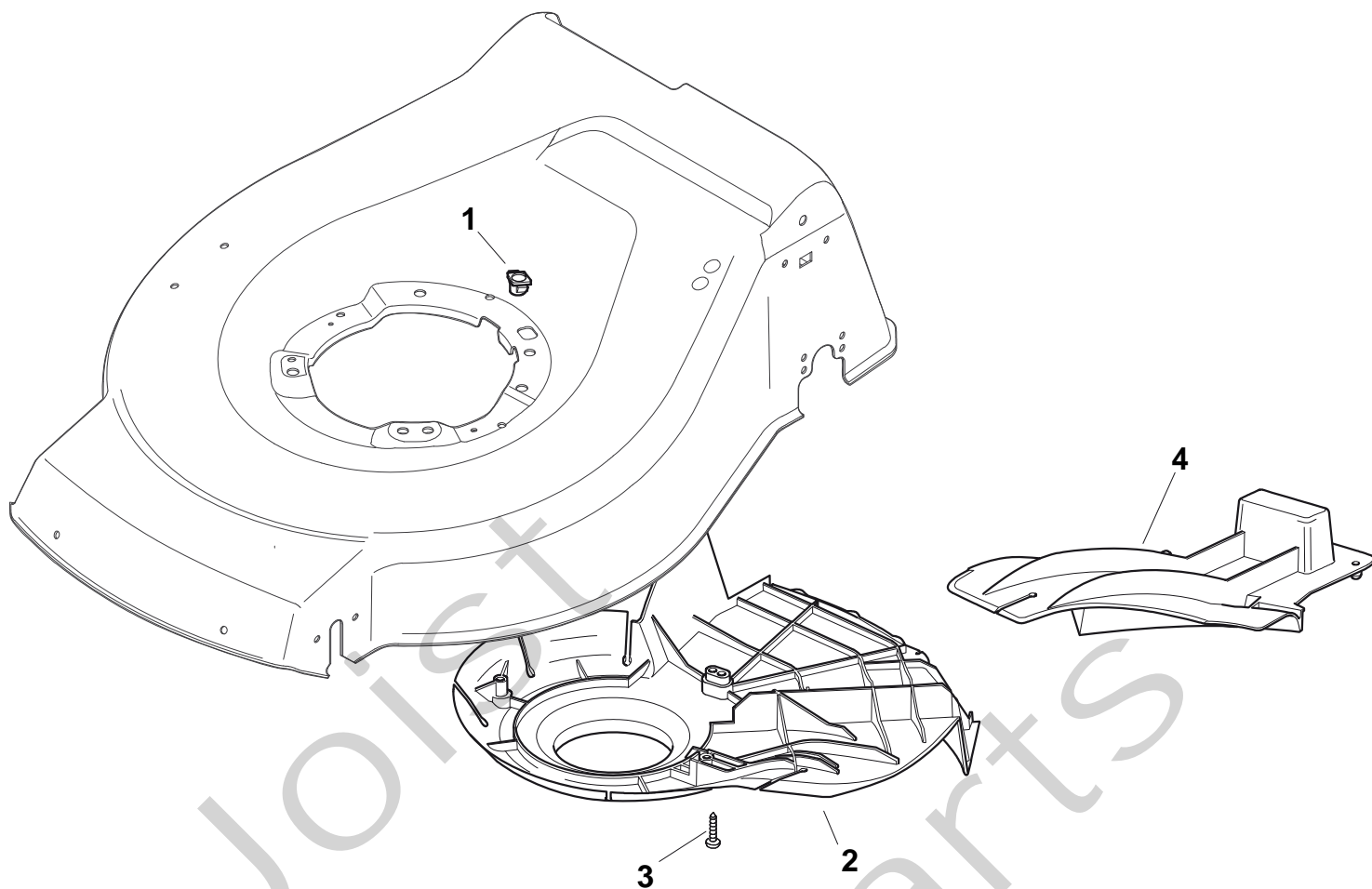
Pos. Fig.	Antal Quantity	Art No Part No	Benämning	Description	Anmärkning Notes
1	1	381006889/0	Styre-underdel	Handle, Lower Part	
2	1	381005125/0	Fäste-hö	Bracket, R	
3	1	381005127/0	Fäste-vä	Bracket, L	
4	2	381003253/0	Knopp	Knob	
5	4	322680016/0	Bricka	Washer	
6	2	22131750/0	Mutter	Nut	
7	2	322399835/0	Knopp	Knob	
8	2	381003254/0	Knopp	Knob	
9	2	112154220/0	Mutter	Nut	
10	2	12760605/0	Skruv	Screw	
11	2	12521350/0	Bricka	Washer	
12	2	12155000/0	Mutter	Nut	
13	6	112727803/0	Skruv	Screw	
14	6	12523040/0	Bricka	Washer	
15	6	12154510/0	Mutter	Nut	

COMBI 48 S - Model Year 2010


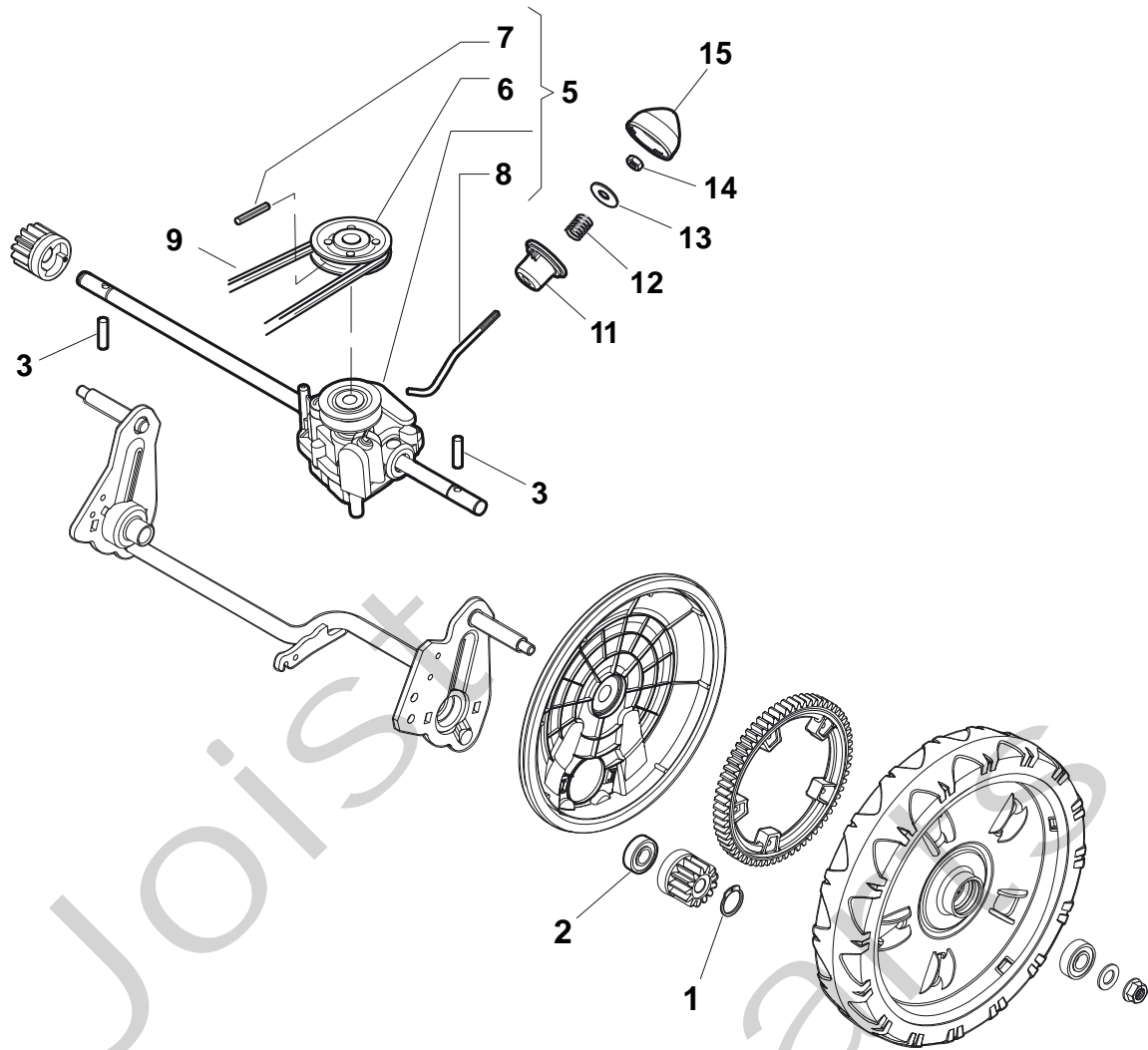
Pos. Fig.	Antal Quantity	Art No Part No	Benämning	Description	Anmärkning Notes
1	1	381006887/0	Styre-överdel	Handle, Upper Part	
2	1	22430313/0	Ögla	Guide Spring	
3	1	12521330/0	Bricka	Washer	
4	1	12154510/0	Mutter	Nut	
5	1	118390020/0	Kabelhållare	Fairlead	
6	1	181030053/0	Motorbromswire	Cable, Thread Eng. Brake	484 (GGP 140-160-196 / B&S 625-675)
7	1	322545204/0	Vridpunkt	Fulcrum Pin	
8	2	22041966/0	Bussning	Bush	
9	1	181003300/0	Reglagebygel	Lever, Engine Brake	
10	1	381030051/0	Kopplingswire	Cable, Rear Drive	
11	2	22041966/0	Bussning	Bush	
12	1	181003301/0	Reglagebygel-drivning	Lever, Driving	
14	1	22551640/0	Wirefäste	Plate	
15	1	12728640/0	Skruv	Screw	



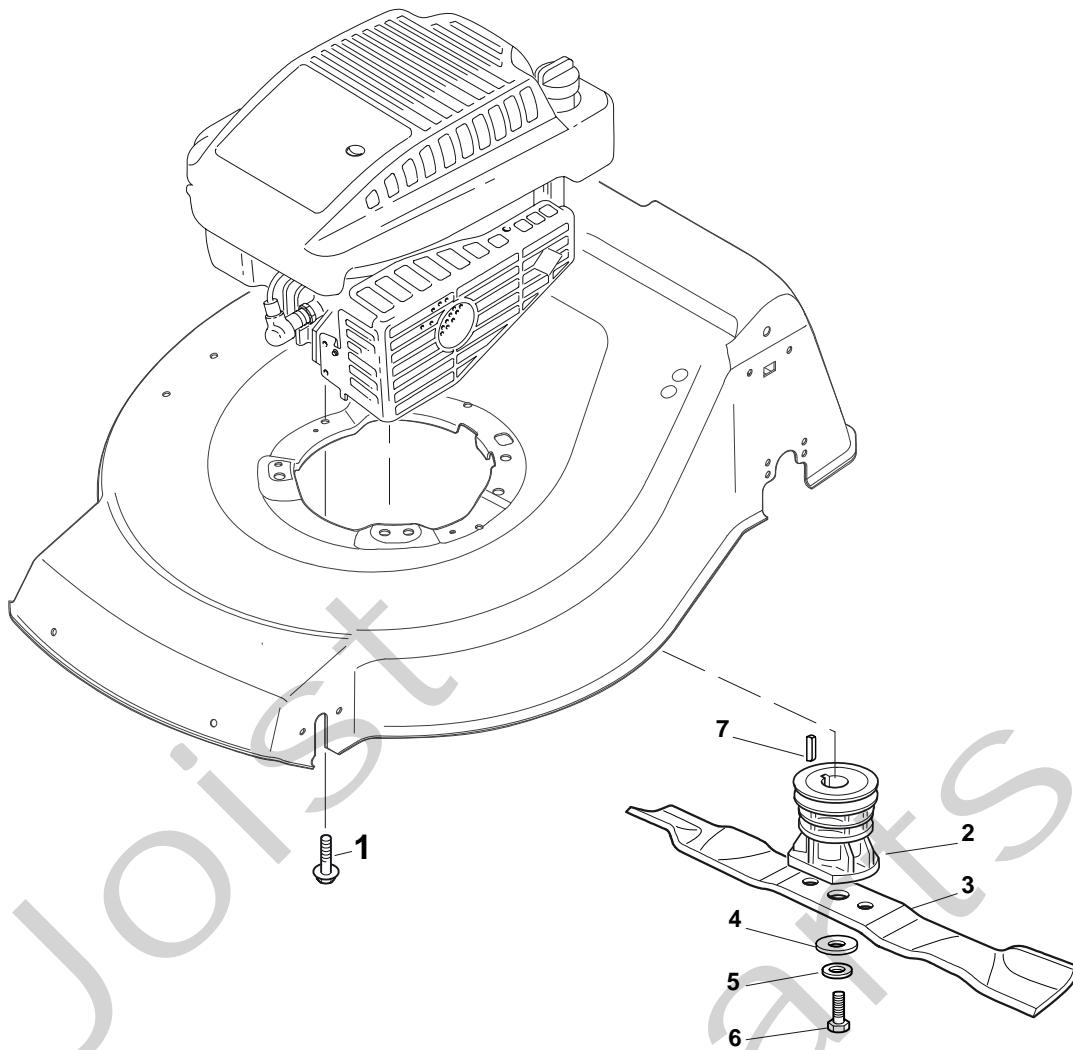
Pos. Fig.	Antal Quantity	Art No Part No	Benämning	Description	Anmärkning Notes
1	1	181005501/1	Gaswire	Throttle Cable	
2	1	12735103/0	Skruv	Screw	
3	1	12523040/0	Bricka	Washer	



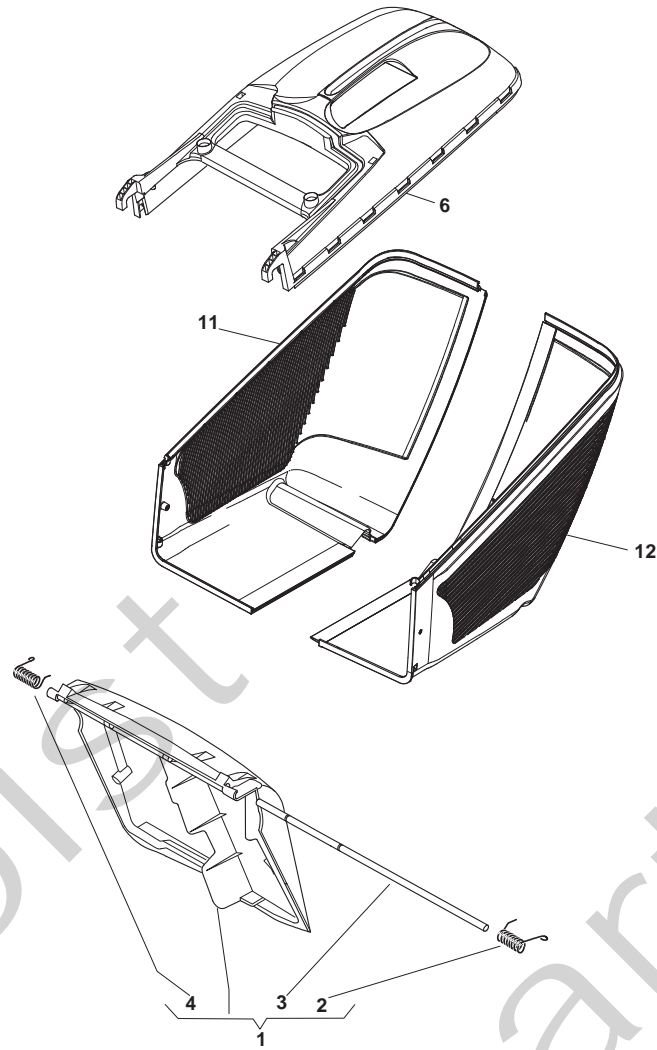
Pos. Fig.	Antal Quantity	Art No Part No	Benämning	Description	Anmärkning Notes
1	1	22291150/0	Gummihylsa	Rubber Insert	
2	1	22060198/0	Remskydd	Protection	
3	3	12728530/0	Skruv	Screw	
4	1	22140223/0	Mulchplugg	Deflector	

COMBI 48 S - Model Year 2010


Pos. Fig.	Antal Quantity	Art No Part No	Benämning	Description	Anmärkning Notes
1	4	12608600/0	Låsring	Snap Ring	
2	2	19216035/0	Lager	Bearing	
3	2	22753000/0	Stift	Pin	
5	1	81003092/0	Transmission	Gear Box	
6	1	22601904/0	Remskiva	Pulley	
7	1	12645705/0	Stift	Pin	
8	1	22033283/0	Justerstång	Adjustment Rod	
9	1	35063800/0	Drivrem	Belt	
11	1	22041957/1	Bussning	Bush	
12	1	22450063/0	Fjäder	Spring	
13	1	22680009/0	Bricka	Washer	
14	1	12154510/0	Mutter	Nut	
15	1	22110230/0	Lock	Cap	



Pos. Fig.	Antal Quantity	Art No Part No	Benämning	Description	Anmärkning Notes
1	2	112735108/1	Skruv	Screw	(GGP 196cc)
1	1	112735109/1	Skruv	Screw	(GGP 196cc)
2	1	122465607/3	Knivfäste	Hub With Pulley, Crankshaft Ø 22.2	
3	1	81004346/3	Kniv	Blade Standard	484
4	1	22160400/0	Bricka	Elastic Washer	
5	1	12523080/0	Bricka	Washer	
6	1	12735698/0	Skruv	Screw	
7	1	12139100/0	Kil	Key	



Pos. Fig.	Antal Quantity	Art No Part No	Benämning	Description	Anmärkning Notes
1	1	381008081/0	Lucka	Stone-Guard, Black	
2	1	122450466/0	Fjäder vä	L Spring	
3	1	22517906/1	Axel	Pin	
4	1	122450465/0	Fjäder-hö	R Spring	
6	1	322486110/1	Uppsamlare-överdel	Grass-Box, Upper	
11	1	322486150/1	Uppsamlare-undre, vä	Grass-Box, R Lower	
12	1	322486151/1	Uppsamlare-undre, hö	Grass-Box, L Lower	