

# Genuine Spare Parts

www.stiga.com

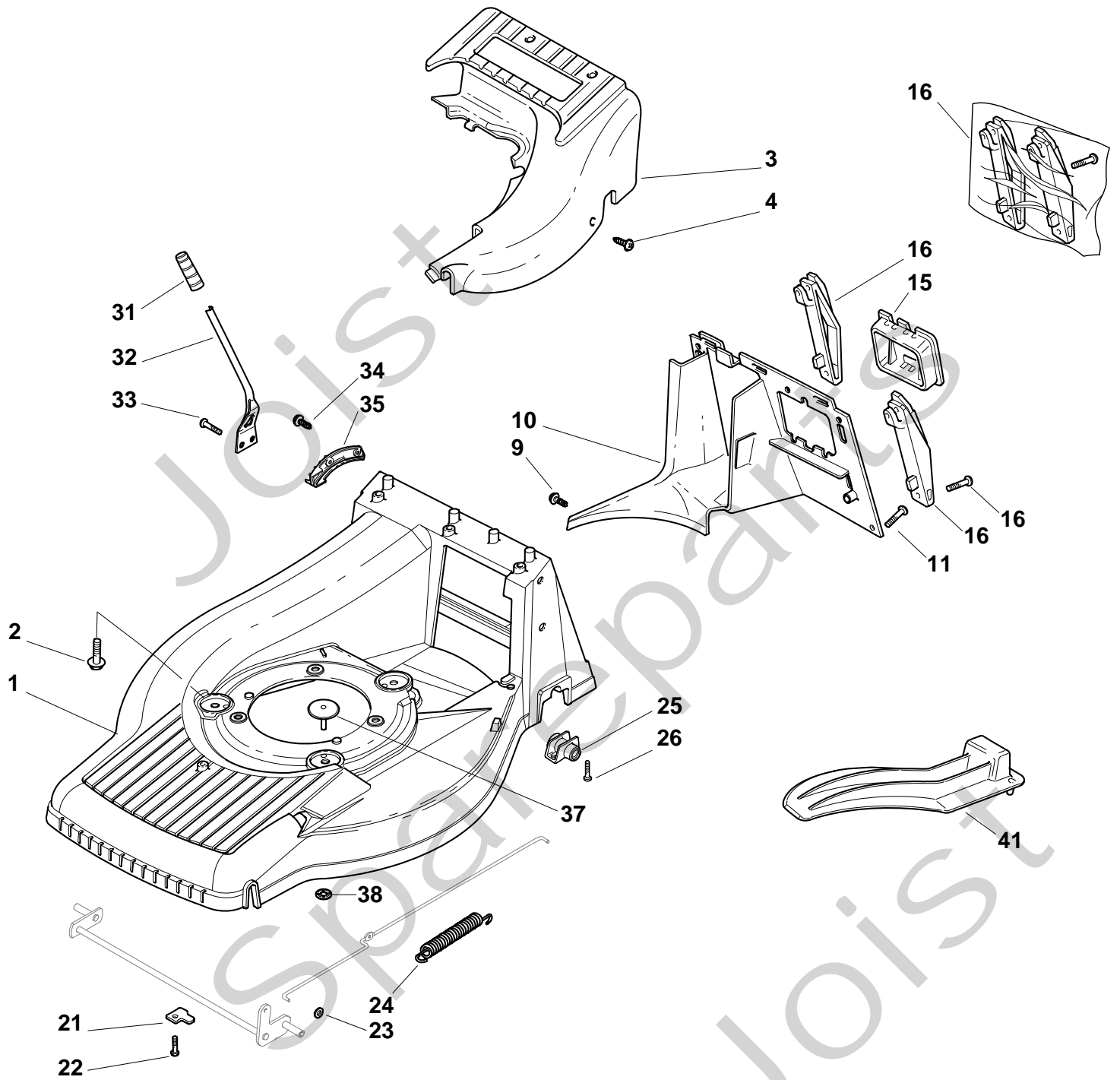
## TURBO 55 S COMBI Model Year 2010

- Use GLOBAL GARDEN PRODUCT Genuine Spare Parts specified in the parts list for repair and/or replacement.
- The contents described in the parts list may change due to improvement.
- The drawings of the spare parts are only indicative and might not represent the part in question exactly.
- The indications "right" - "left" - "front" - "rear" refer to the position of the operator when using the machine.
- When placing orders of parts for repair and/or replacement, make sure that the illustrated parts list is the one applying to the machine's year of manufacture, as shown on the identification plate attached to the machine.

COPYRIGHT by GLOBAL GARDEN PRODUCTS

All rights reserved. No part of this material may be reproduced or transmitted, in any form or by any means, electronic or mechanical, including photocopying, recording or by any information storage and retrieval system, without permission in writing from GLOBAL GARDEN PRODUCTS.

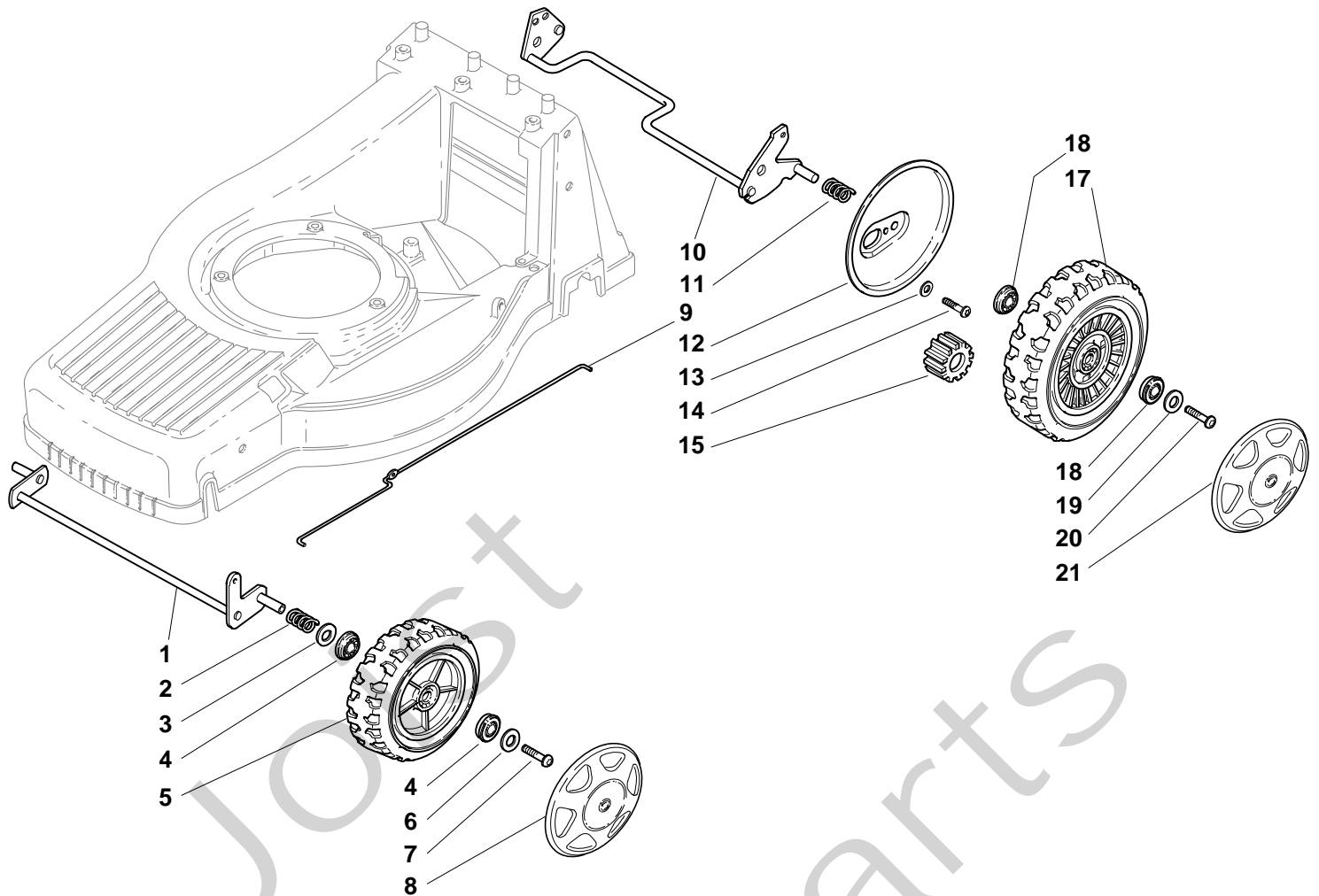
**STIGA**®



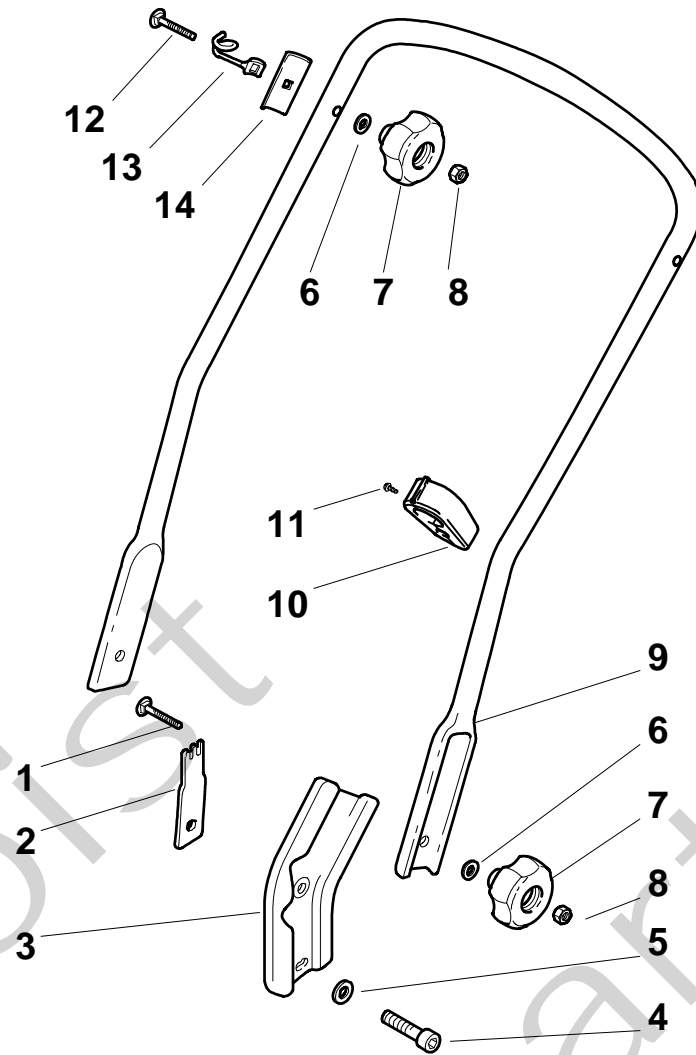


## TURBO 55 S COMBI - Model Year 2010

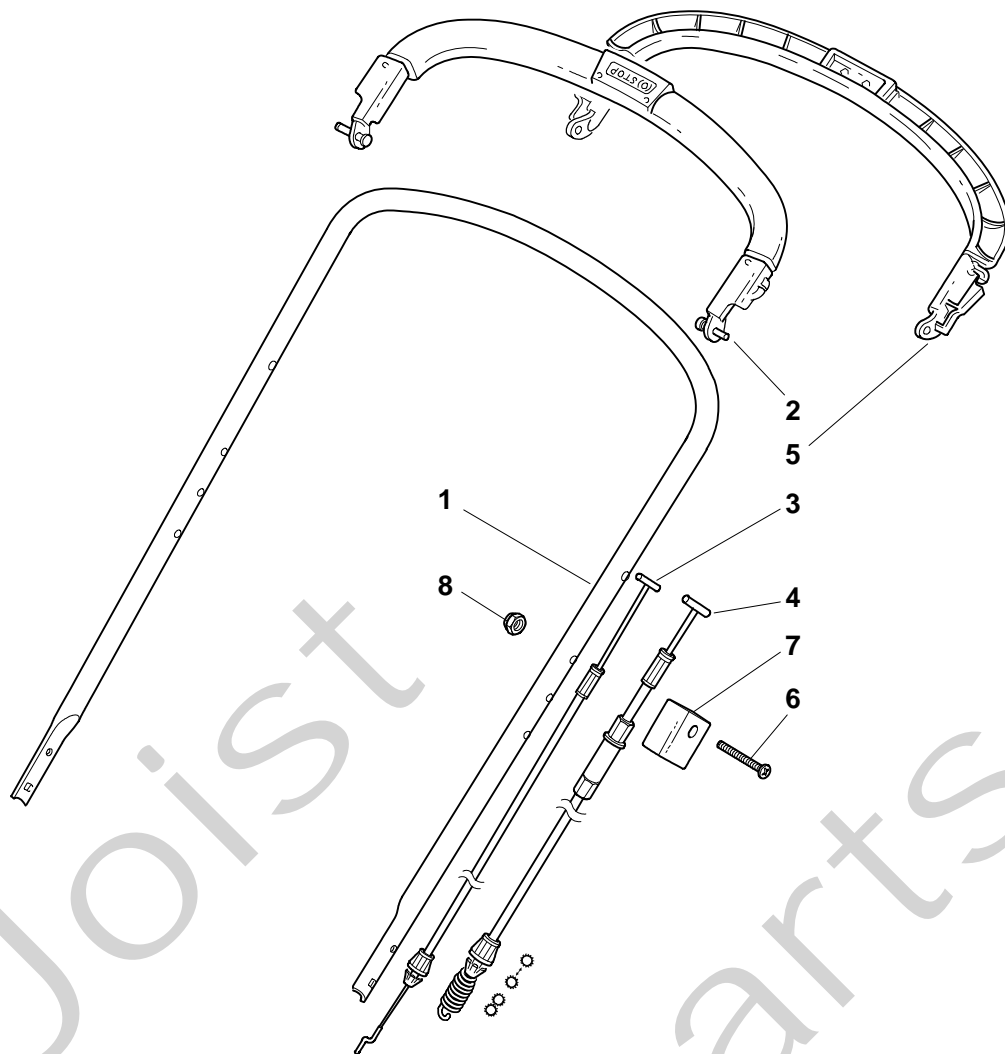
Pos. Fig.	Antal Quantity	Art No Part No	Benämning	Description	Anmärkning Notes
1	1	81002660/0	Chassi	Deck Yellow	554
2	3	112735108/1	Skruv	Screw	
3	1	22060154/0	Kåpa-gul	Protection, Yellow	554 Avs
4	3	12728300/0	Skruv	Screw	
9	1	12728300/0	Skruv	Screw	
10	1	22108277/0	Bakstam	Rear Conveyor Assy	504 - 554
11	3	12735664/0	Skruv	Screw	
15	1	22109531/0	Lock	Cover	
16	1	81008658/1	Skruvsats	Outfit, Supports	
21	2	22545160/0	Överfall	Plate	
22	2	12735664/0	Skruv	Screw	
23	2	12604898/0	Låsbricka	Crown Fastener	
24	1	22446181/0	Fjäder	Spring	
25	2	22785153/0	Bussning	Support, Gear Box	
26	4	12735664/0	Skruv	Screw	
31	1	22399808/0	Handtag	Knob	
32	1	22321515/0	Höjdinst.spak	Lever, Height Adjustment	
33	2	12735661/0	Skruv	Screw	
34	2	12728300/0	Skruv	Screw	
35	1	22735563/0	Höjdinst.sektor	Sector, Height Adjustment	
37	1	22820055/0	Plugg-gul	Cap	554 Avs
38	1	12604899/0	Låsbricka	Crown Fastener	554 Avs
41	1	22140232/0	Mulchplugg	Deflector	

**TURBO 55 S COMBI - Model Year 2010**


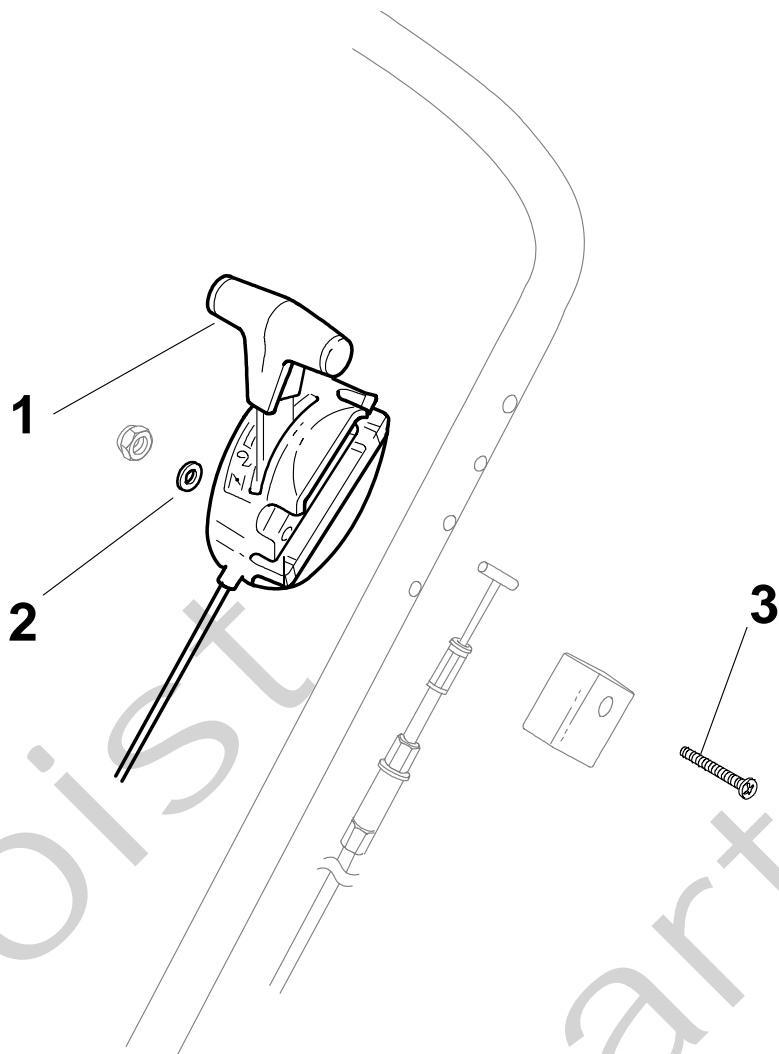
Pos. Fig.	Antal Quantity	Art No Part No	Benämning	Description	Anmärkning Notes
1	1	81002847/0	Hjulaxel	Axle, Front Wheels	
2	2	22430210/0	Fjäder	Spring	
3	2	12521370/0	Bricka	Washer	
4	4	22122200/0	Kullager	Bearing	
5	2	81007351/0	Hjul	Wheel	
6	2	12521460/0	Bricka	Washer	
7	2	112735662/1	Skruv	Screw	
8	2	322110388/0	Navkapsel-gul	Hub Cap Yellow	
9	1	22033323/0	Höjdinst.stång	Rod, Height Adjustment Control	
10	1	81002823/0	Hjulaxel	Axle, Rear Wheels	
11	2	22430215/0	Fjäder	Spring	
12	2	22600121/0	Hjulskydd	Protection, Wheel	
13	2	12521460/0	Bricka	Washer	
14	2	112735662/1	Skruv	Screw	
15	2	22570125/0	Drev	Pinion	
16	2	19216038/0	Lager	Bearing	
17	2	81007362/0	Hjul	Wheel	
18	2	22122201/0	Kullager	Bearing	
19	2	12521460/0	Bricka	Washer	
20	2	112735662/1	Skruv	Screw	
21	2	22110394/0	Navkapsel	Hub Cap	

**TURBO 55 S COMBI - Model Year 2010**


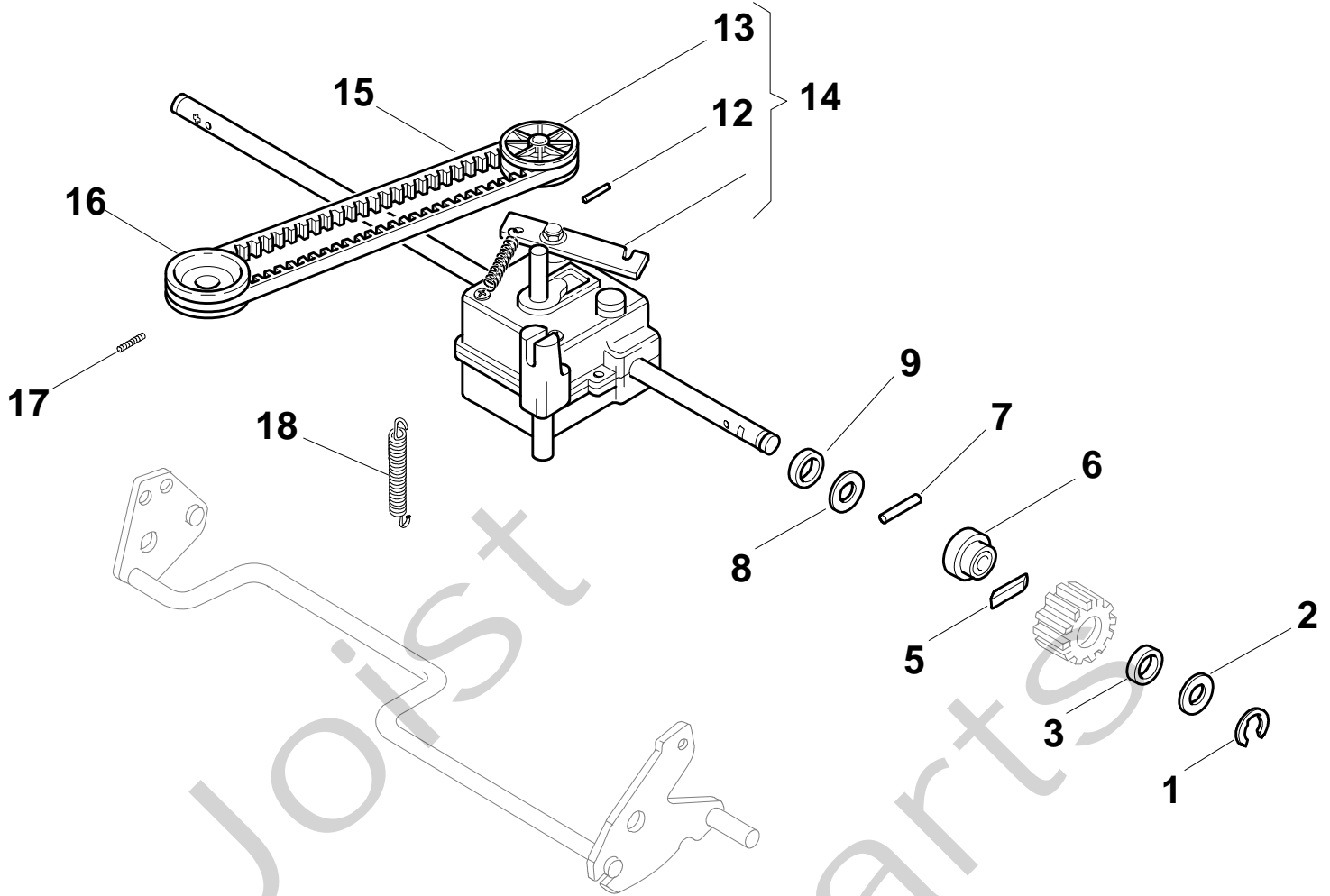
Pos. Fig.	Antal Quantity	Art No Part No	Benämning	Description	Anmärkning Notes
1	2	12820655/0	Skruv	Screw	
2	1	22551635/0	Platta	Plate For Handle	
3	2	22778405/0	Styrfäste	Support	
4	2	12760515/0	Skruv	Screw	
5	2	12521350/0	Bricka	Washer	
6	4	12521350/0	Bricka	Washer	
6	1	81002239/0	Uppsamlingsäck	Box, Fabric	
7	4	22399810/0	Lås ratt	Knob	
8	4	12361005/0	Mutter	Nut	
9	1	81006613/0	Styre-underdel	Handle, Lower Part	
10	1	22192001/0	Kabelhållare	Anchor Clamp	
11	1	12728691/0	Skruv	Screw	
12	2	12820655/0	Skruv	Screw	
13	1	22430311/0	Ögla	Guide Spring	
14	2	22545137/0	Förstärkning	Plate For Handle Fastening	



Pos. Fig.	Antal Quantity	Art No Part No	Benämning	Description	Anmärkning Notes
1	1	81006618/1	Styre-överdel	Handle, Upper Part	504 - 554
2	1	81003298/1	Reglagebygel	Lever, Engine Brake	
3	1	81000688/0	Motorbromswire	Cable, Thread Motor Brake	
4	1	81000697/0	Kopplingswire	Cable, Rear Drive	
5	1	81003297/1	Reglagebygel-drivning	Driving Lever	
6	1	12727783/0	Skruv	Screw	
7	1	22551640/0	Wirefäste	Plate	
8	1	12154510/0	Mutter	Nut	

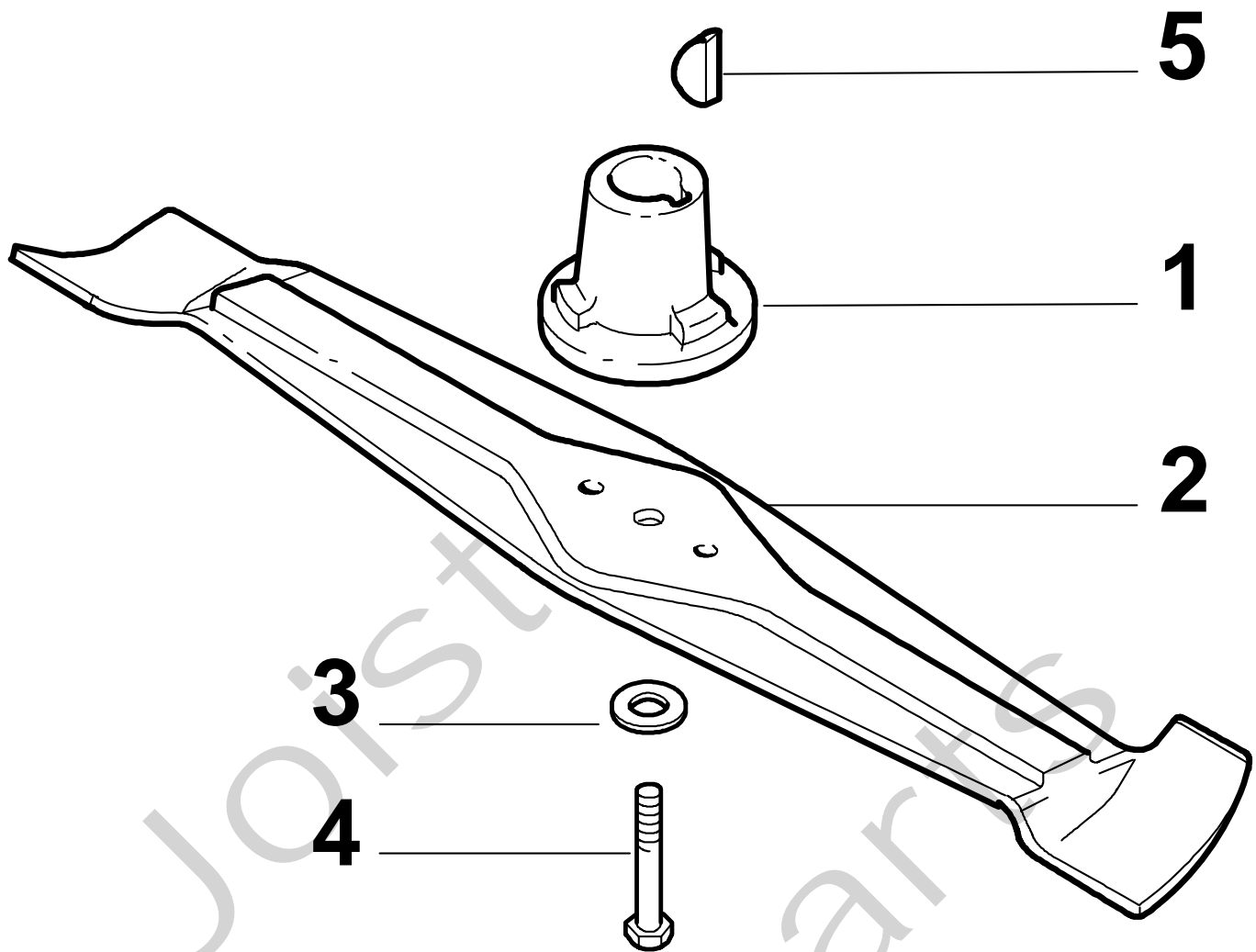


Pos. Fig.	Antal Quantity	Art No Part No	Benämning	Description	Anmärkning Notes
1	1	81007126/0	Gasreglage	Cable, Trottle	(Honda)
2	1	12523040/0	Bricka	Washer	
3	1	12727787/0	Skruv	Screw	

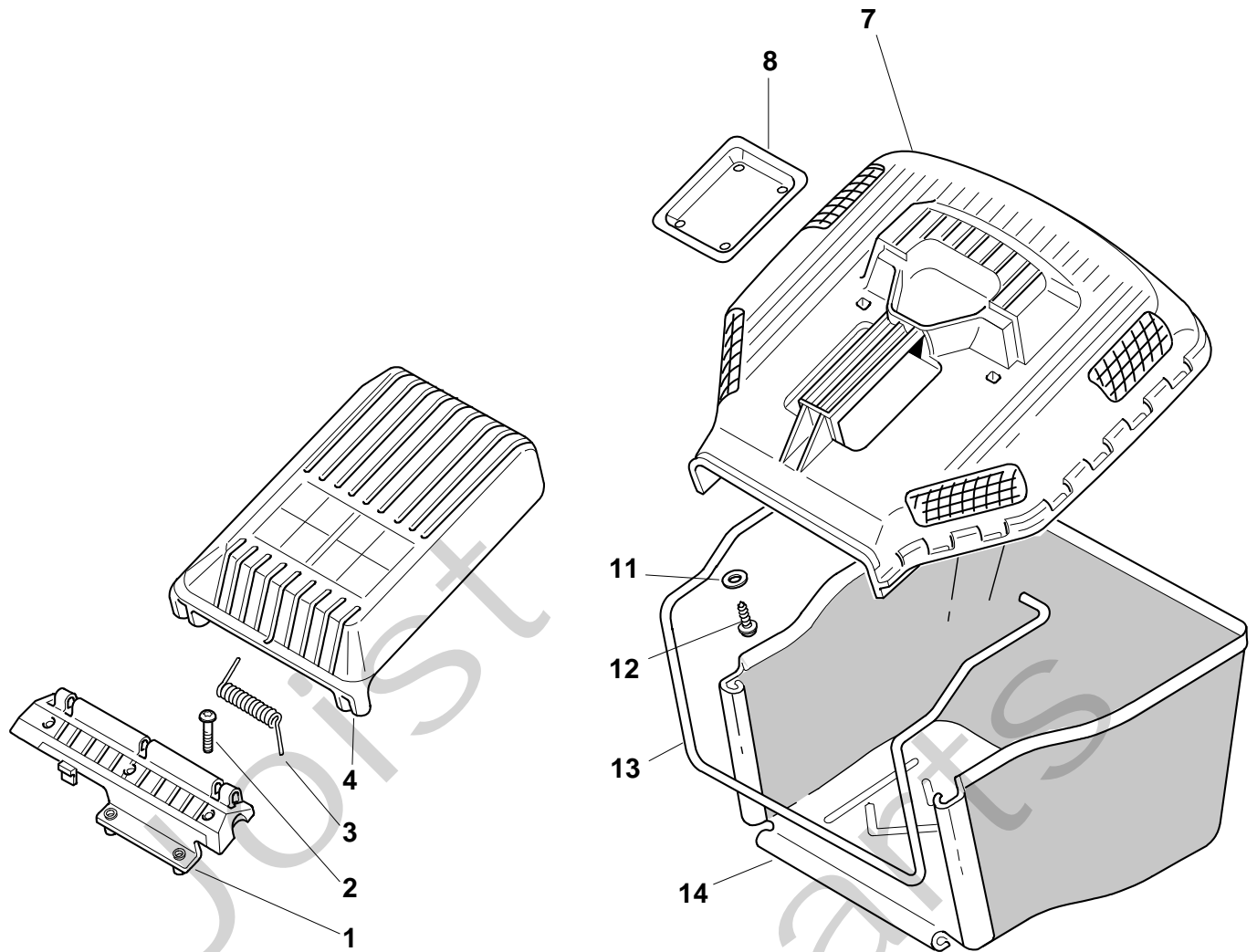


Pos. Fig.	Antal Quantity	Art No Part No	Benämning	Description	Anmärkning Notes
1	2	12000957/0	Låsring	Benzing	
2	2	12520032/0	Bricka	Washer	
3	2	22160520/0	Dammskydd	Dust Cover	
5	2	22076645/0	Kil	Key	
6	2	22170630/0	Distans	Spacer	
7	2	22753002/0	Stift	Pin	
8	2	12520032/0	Bricka	Washer	
9	2	19035152/0	Tätningring	Or Ring	
12	1	12620310/0	Stift	Pin	
13	1	22601913/0	Remskiva	Pulley	
14	1	81003085/0	Transmission	Gear Box	504 - 554
14	1	81003085/0	Transmission	Gear Box	
15	1	35063175/0	Drivrem	Belt	
15	1	35063175/0	Drivrem	Belt	504
16	1	122601921/0	Remskiva	Pulley	
17	1	12714312/0	Stift	Dowel	
18	1	22450434/0	Fjäder	Spring	





Pos. Fig.	Antal Quantity	Art No Part No	Benämning	Description	Anmärkning Notes
1	1	122465630/0	Knivfäste	Hub	554
2	1	81004144/0	Kniv	Blade	
3	1	12530140/0	Bricka	Washer	
4	1	12735698/0	Skruv	Screw	
5	1	12139150/0	Kil	Key	



Pos. Fig.	Antal Quantity	Art No Part No	Benämning	Description	Anmärkning Notes
1	1	22785157/0	Luckfäste-gul	Support, Yellow	504-554
2	3	12735664/0	Skruv	Screw	
3	1	22450443/0	Fjäder	Spring	
4	1	22600069/1	Lucka	Stone-Guard, Yellow	504-554
7	1	22486095/0	Uppsamlare-överdel	Grass-Box, Upper Part	504-554
8	1	22486098/0	Platta	Plate	
11	2	12521460/0	Bricka	Washer	
12	2	12728300/0	Skruv	Screw	
13	1	22608528/0	Trådbygel	Stiffening Lower	504-554
14	1	81002235/0	Uppsamlingsäck	Box, Fabric	504-554