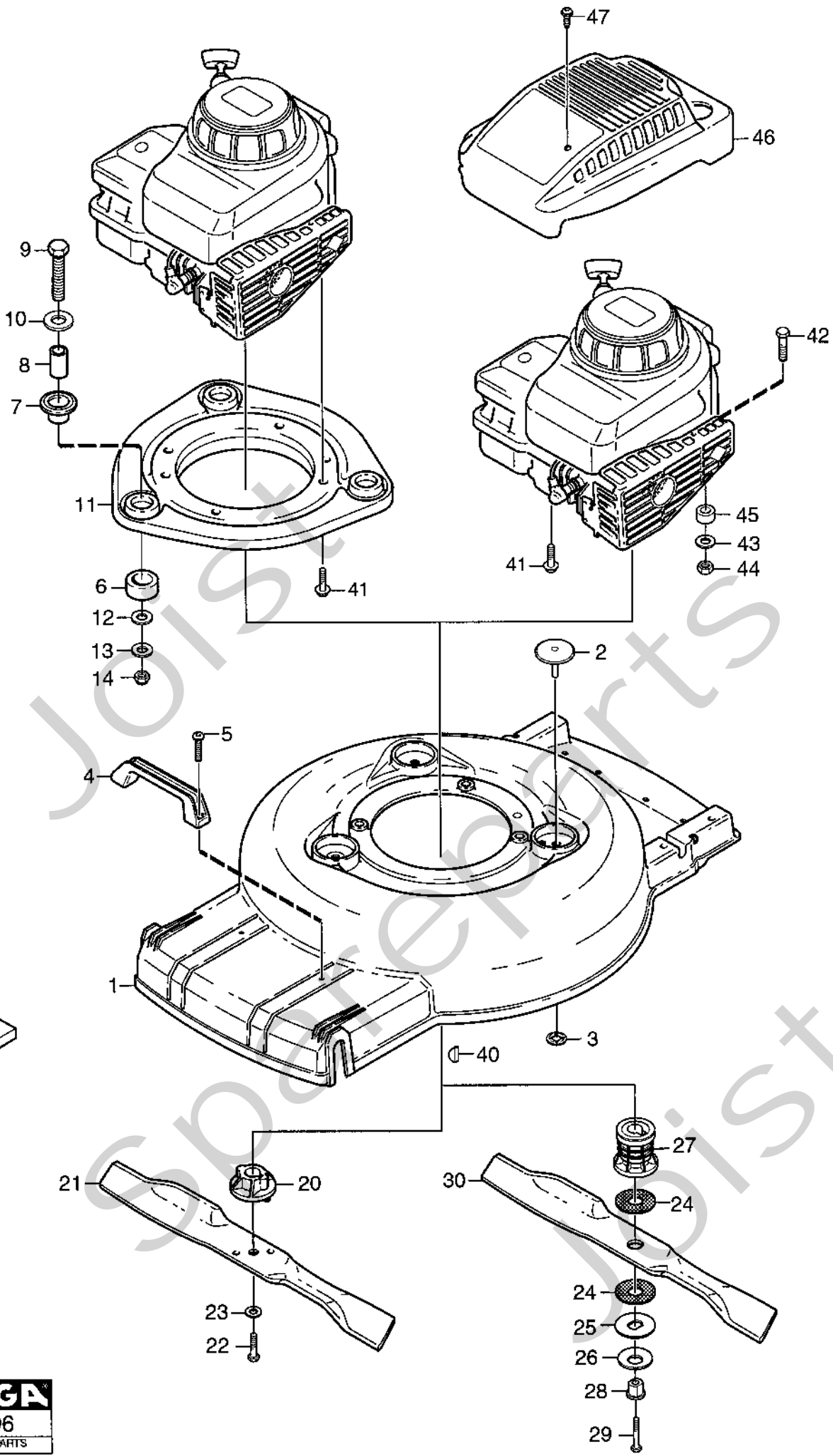
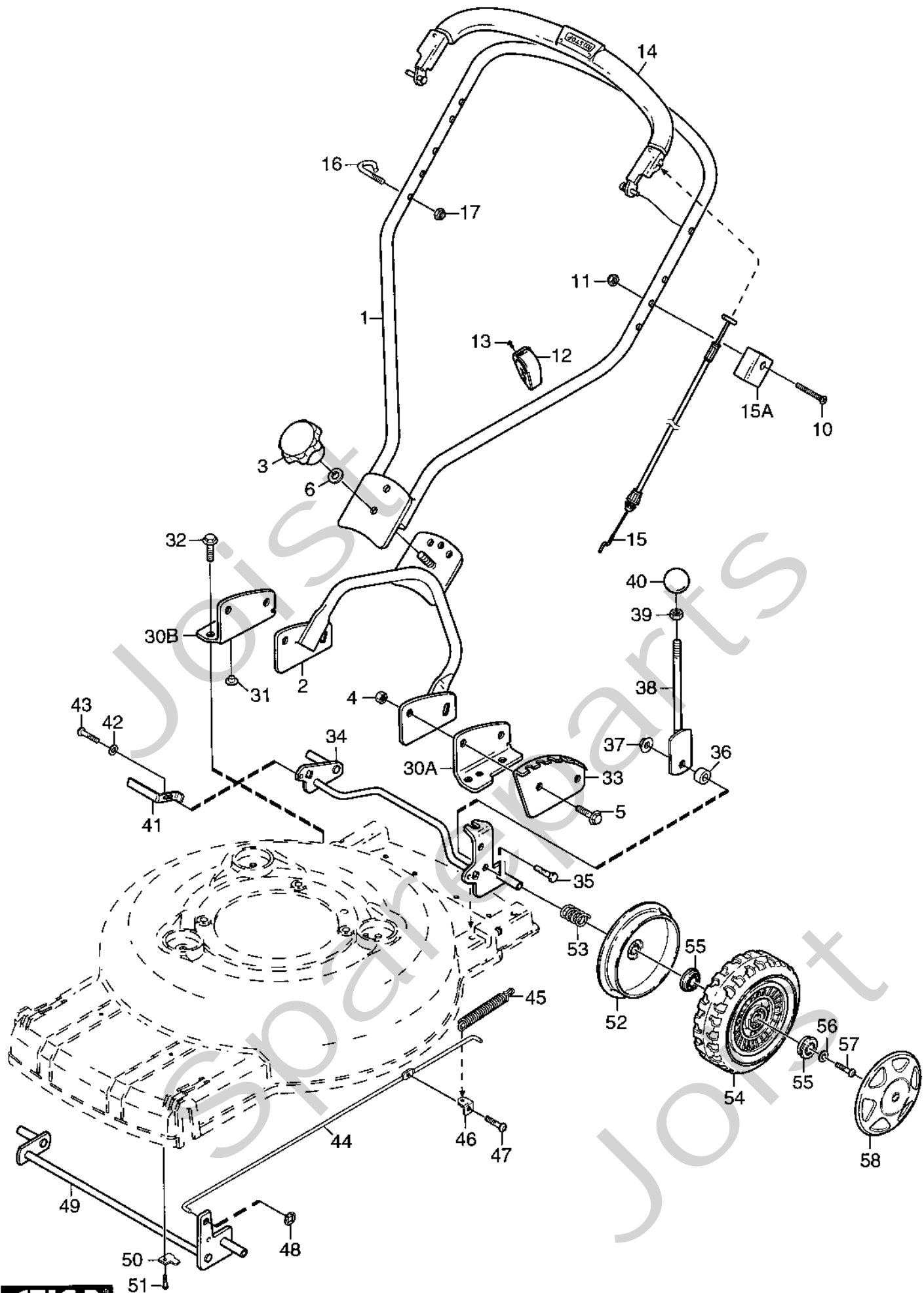


99
DEKALXIT



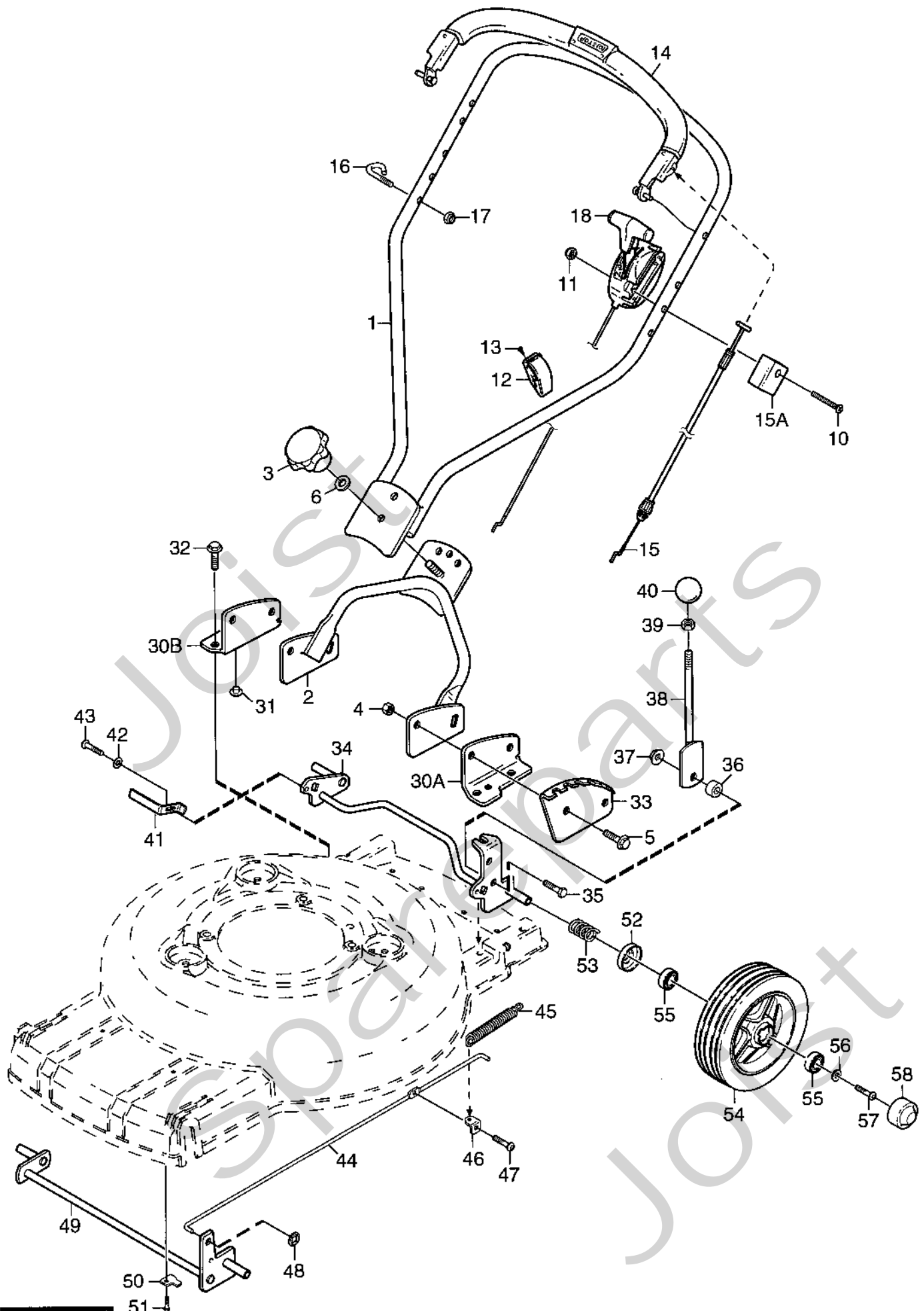
STIGA
1596
SPARE PARTS

Utgåva Issue		Bildnr Picture No		MULTICLIP 48- PRO 48 CHASSI KNIV		MULTICLIP 48- PRO 48 CHASSIS BLAÖE		Sida Page	
2003-43		1596						32	
Pos. Fig.	Antal/Quantity				Art nr Part No	Benämning	Description	Sats Kit	Anmärkning Notes
	8181 -19	8186 -99	8103 -99	8396 -49					
X	1	1	1	1	1111-2456-01	Chassi- gul.....	Chassis- yellow		
	1			1	1111-2456-03	Chassi- hammarlack	Chassis- hammerite		
	2	2	2	2	1111-3095-01	Täckbricka	Cap.....		
	3	2	2	2	9675-0012-02	Starlock	Locking washer.....		
X	4			1	9403-0037-69	Lyfthandtag- gul.....	Lifting handle- yellow		
	4	1	1	1	9403-0037-70	Lyfthandtag- svart.....	Lifting handle- black		
	5	2	2	2	9943-0516-16	Skruv	Screw		
	6			3	1111-2452-01	Dämpement	Rubber damper.....		
	7			3	1111-2453-01	Isolering	Grommet.....		
X	8			3	1134-1565-12	Distans	Spacer.....		
	9			3	9997-0850-16	Skruv	Screw.....		
X	10			3	9699-0122-02	Bricka	Washer.....		
X	11			1	1111-3323-03	Motorinfästning- gul	Engine mounting- yello		
	12			3	9699-0062-02	Planbricka.....	Flat washer.....		
	13			3	9699-0056-02	Planbricka.....	Flat washer.....		
	14			3	9747-0831-02	Mutter.....	Lock nut.....		
	20	1			1111-9023-02	Knivfäste.....	Blade holder.....		
	21	1			1111-9075-01	Kniv	Blade.....		
	22	1			9987-5245-12	Knivbult	Blade bolt.....		
	23	1			9696-0011-01	Bricka	Washer.....		
X	24		2	2	1111-3480-01	Friktionsbricka	Friction washer		
X	25		1	1	1111-3481-01	Bricka	Washer.....		
X	26		1	1	1111-3482-01	Tallriksfjäder	Disc washer		
X	27		1	1	1111-3492-01	Knivfäste.....	Blade holder.....		
X	27			1	1111-3510-01	Knivfäste.....	Blade holder.....		
X	28		1	1	1111-3483-01	Bussning	Bushing.....		
	29		1	1	9987-5264-12	Skruv	Screw.....		
X	30		1	1	1111-3508-01	Kniv	Blade.....		
	40	1	1	1	9600-0014-00	Kil	Key.....		
	41	3		3	9955-3732-12	Skruv	Screw.....		
	42		2	3	9997-0860-16	Skruv	Screw.....		L = 60 mm
	42		1		9997-0890-12	Skruv	Screw.....		L = 90 mm
	43		3	3	9699-0028-02	Planbricka.....	Flat washer.....		
	44		3	3	9799-0831-02	Mutter.....	Nut.....		
	45		3	3	1111-3217-01	Distans	Spacer.....		
	46	1			1111-3287-01	Motorkåpa- svart	Engine cover- black		
	47	2			9828-7942-12	Skruv	Screw.....		
X	99	1	1	1	1111-3595-05	Dekalsats	Label kit		
X	99			1	1111-3595-06	Dekalsats	Label kit		



Utgåva Issue		Bildnr Picture No		MULTICLIP 48 STYRE HJULUPPHÅNGNING		MULTICLIP 48 HANDLE WHEEL SUSPENSION		Sida Page	
2003-43		1597						34	
Pos. Fig.	Antal/Quantity			Art nr Part No	Benämning	Description	Sats Kit	Anmärkning Notes	
	8181 -19								
1	1			1111-2974-01	Styre-överdel	Handlebar-upper part			
2	1			1111-2134-01	Styre-underdel	Handlebar-lower part			
3	1			1482-0163-01	Låsraff	Locking knob			
4	4			9799-0831-02	Mutter	Nut			
5	4			9959-0816-16	Skruv	Screw			
6	1			9699-0035-02	Planbricka	Flat washer			
10	1			9948-0640-16	Skruv	Screw			
11	1			9747-0631-02	Låsmutter	Lock nut			
12	1			1111-2018-01	Kabelhållare	Cable holder			
13	1			9836-9216-12	Skruv	Screw			
14	1			1111-2953-01	Manöverbygel	Control handle			
15	1			1111-2968-01	Motorbromswire	Engine brake cable			
15A	1			1111-2969-01	Wirefäste	Cable attachment			
16	1			1111-3063-01	Ögla	Eye link			
17	1			9747-0631-02	Låsmutter	Lock nut			
30A	1			1111-1483-01	Styrinfästning- vä	Handle attachm.- L.H.			
30B	1			1111-1484-01	Styrinfästning- hö	Handle attachm.- R.H.			
31	2			1111-1485-01	Plugg	Plug			
32	4			9942-0820-16	Skruv	Screw			
33	1			1111-3486-01	Ställplatta	Adjusting plate			
34	1			1111-3266-01	Bakaxel	Rear axle			
35	1			9997-0830-16	Skruv	Screw			
36	1			1111-1519-02	Distans	Spacer			
37	1			9739-0831-22	Mutter	Nut			
38	1			1111-1839-01	Höjinställningsspak	Lever			
39	1			9799-0831-02	Mutter	Nut			
40	1			9403-0036-70	Kula	Lever knob			
41	2			1111-2653-01	Hjulrensare	Wheel cleaner			
42	2			9699-0025-02	Planbricka	Washer			
43	2			9943-0610-16	Skruv	Screw			
44	1			1111-1829-01	Dragstång	Rod			
45	1			1111-1842-01	Fjäder	Spring			
46	1			1111-1844-01	Fäste	Holder			
47	1			9943-0510-16	Skruv	Screw			
48	2			9675-0012-02	Starlock	Locking washer			
49	1			1111-3082-01	Framaxel	Front axle			
50	2			1111-1504-01	Överfall	Retainer			
51	2			9943-0612-16	Skruv	Screw			
52	4			1111-2782-01	Täckbricka	Wheel cover			
53	4			1111-3060-01	Fjäder	Spring			
54	4			1111-2665-01	Hjul kpl	Wheel assy			
55	2			1111-3296-01	Kullager	Ball bearing			
56	4			9699-0100-02	Bricka	Washer			
57	4			9943-0612-16	Skruv	Screw			
58	4			1111-3085-01	Navkapsel- gul	Hub cap-yellow			

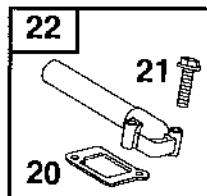
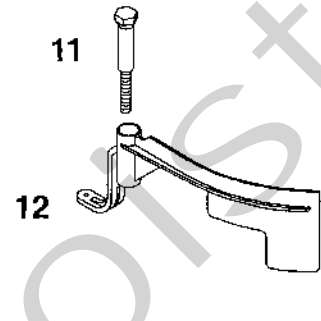
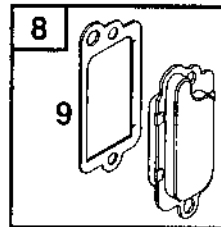
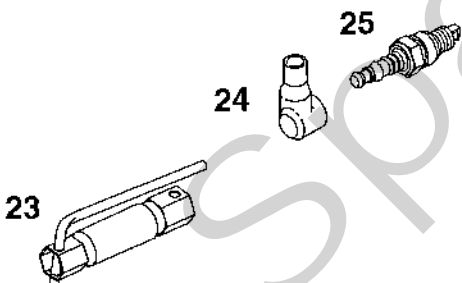
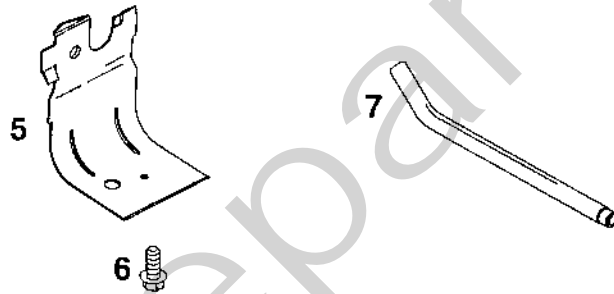
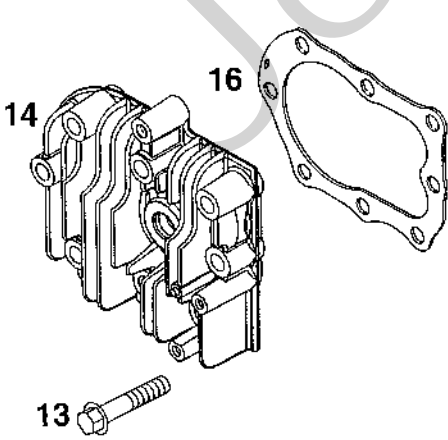
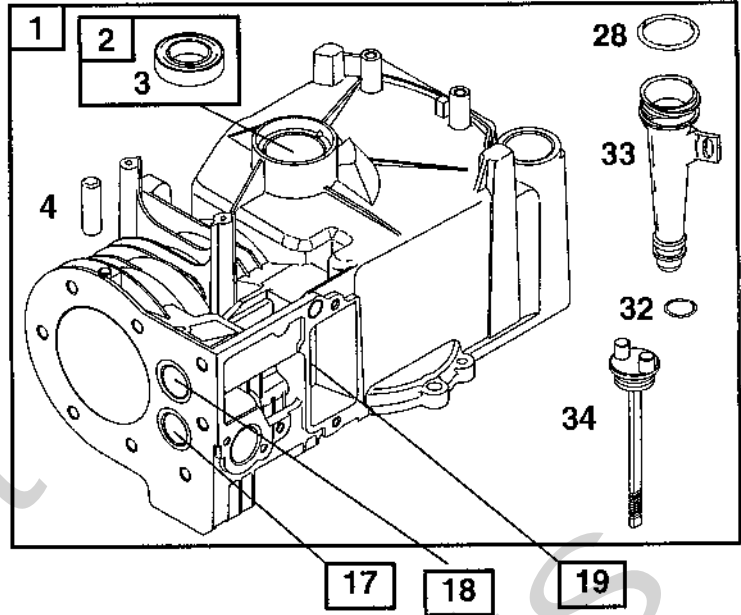
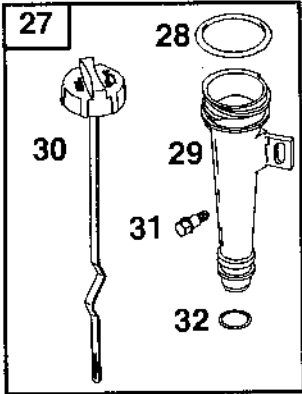
X



STIGA
1598
SPARE PARTS

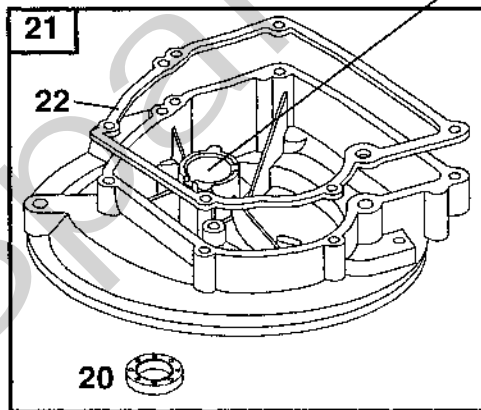
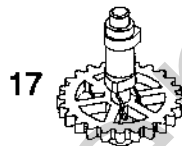
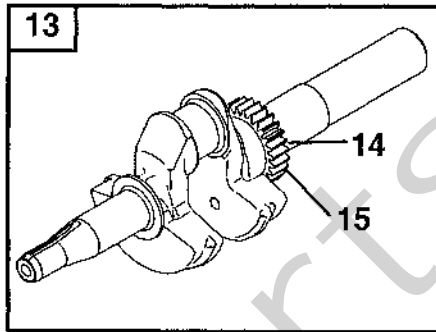
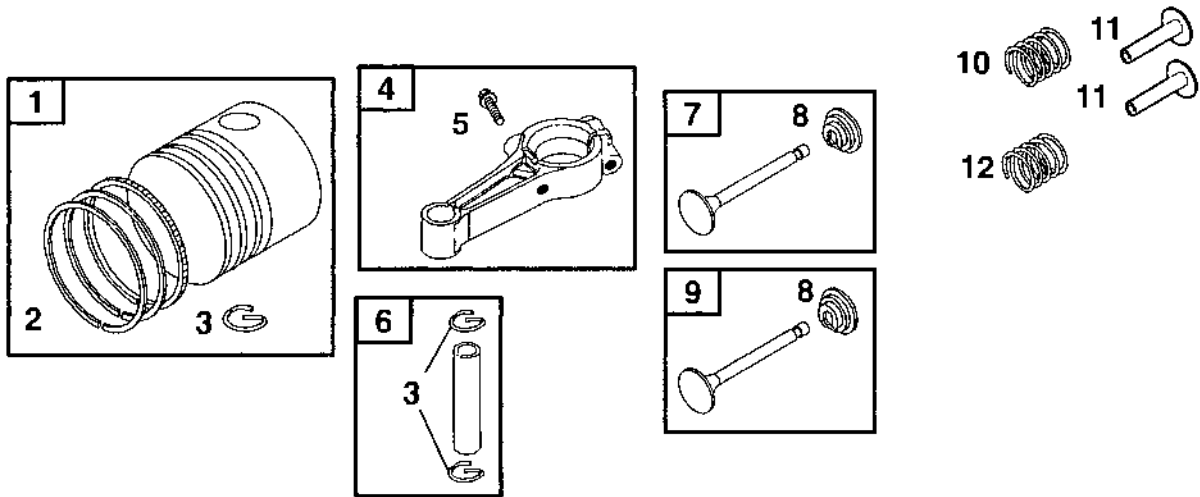
A

15 



Utgåva Issue 2003-43		Bildnr Picture No 1476		BRIGGS & STRATTON 10D902 CYLINDER		BRIGGS & STRATTON 10D902 CYLINDER		Sida Page 344	
Pos. Fig.	Antal/Quantity			Art nr Part No	Benämning	Description	Sats Kit	Anmärkning Notes	
	10D 902- 0129	10D 902- 0141	10D 902- 0142						
A01	1	1	1	399164	Cylinder kpl.....	Cylinder assy.....			
A02	1	1	1	399269	• Bussning.....	• Bushing.....			
A03	1	1	1	299819	• Tätningring.....	• Oil seal.....	S		
A04	2	2	2	690959	• Tapp.....	• Locating pin.....			
A05	1	1	1	690400	Skyddsplåt.....	Cylinder shield.....			
A06	1	1	1	690345	Skruv.....	Screw.....			
A07	1	1	1	691245	Rör.....	Breather tube.....			
A08	1	1	1	495785	Vevhusventilation.....	Breather.....			
A09	1	1	1	272602	• Packning.....	• Gasket.....	S		
A09	1	1	1	695890	• Packning.....	• Gasket.....	S		
A10	2	2	2	691666	Skruv.....	Screw.....			
A11	1	1	1	691107	Skruv.....	Screw.....			
A12	1	1	1	691912	Regulatorvinge.....	Governor blade.....			
A13	8	8	8	691697	Skruv.....	Screw.....			
A14	1	1	1	690386	Topplöck.....	Cylinder head.....			
A15	1	1	1	692889	Distans.....	Spacer.....			
A16	1	1	1	692288	Topplöckspackning.....	Cylinder head gasket.....	S		
A17	1	1	1	691702	• Ventilåte- utblås.....	• Valve seat- exhaust.....			
A18	1	1	1	691701	• Ventilåte- insug.....	• Valve seat- intake.....			
A19	1	1	1	231348	• Ventilstyrning- utblås.....	• Guide bushing- exhaust.....			
A19	1	1	1	63709	• Ventilstyrning- insug.....	• Guide- intake valve.....			
A20	1	1	1	270345	• Packning.....	• Gasket.....	S		
A21	2	2	2	691111	• Skruv.....	• Screw.....			
A22	1	1	1	693446	Insugningsrör.....	Intake manifold.....			
A23	1	1	1	1111-9029-01	Tändstiftsnyckel.....	Spark plug wrench.....			
A24	1	1	1	66538	Tändstiftsskydd.....	Spark plug elbow.....			
A25	1	1	1	9400-0225-00	Tändstift.....	Spark plug.....		Champion J19LM	
A27	1	1	1	691440	Oljesticka kpl.....	Dipstick assy.....			
A28	1	1	1	691870	• Tätningring.....	• Seal.....			
A29	1	1	1	691320	• Påfyllningsrör.....	• Dipstick tube.....			
A30	1	1	1	692040	• Oljesticka.....	• Dipstick.....			
A31	1	1	1	691002	• Skruv.....	• Screw.....			
A32	1	1	1	691876	• Tätningring.....	• Dipstick tube seal.....	S		
A33	1	1	1	694531	• Påfyllningsrör.....	• Dipstick tube.....			
A34	1	1	1	691913	• Oljesticka.....	• Oil dipstick.....			

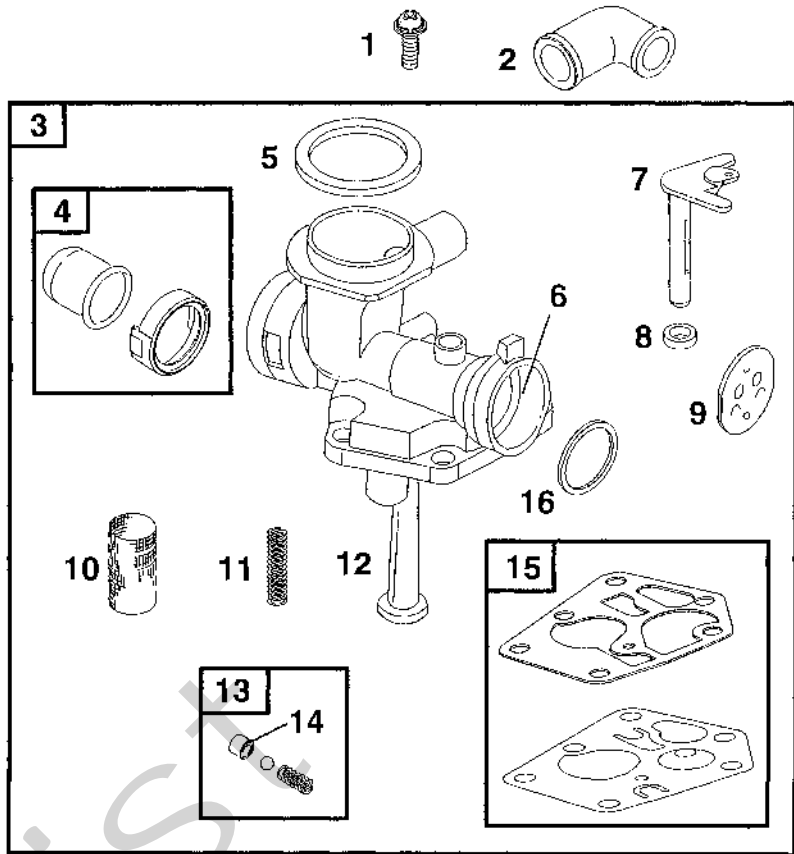
A



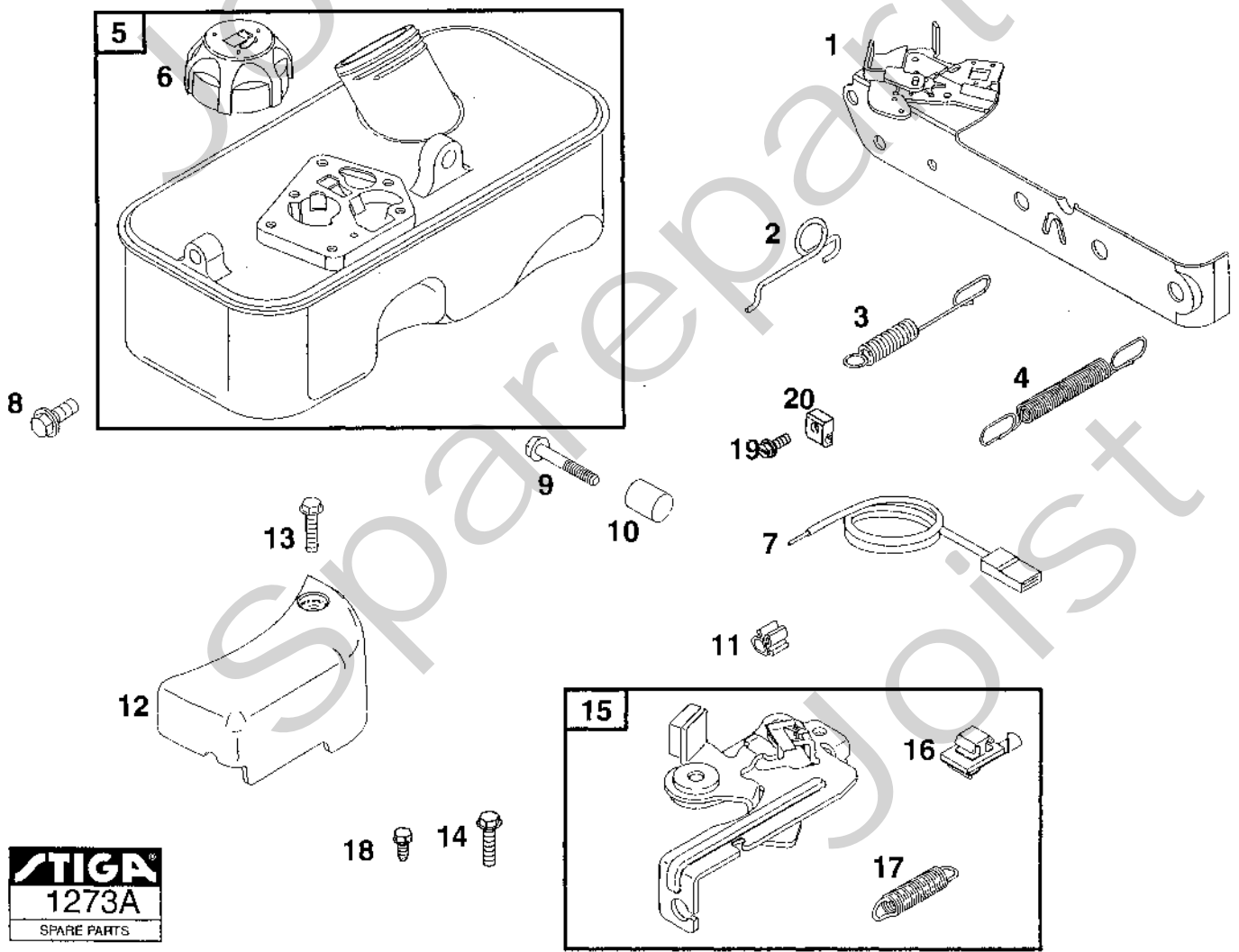
31 ENGINE GASKET SET

Utgåva Issue		Bildnr Picture No		BRIGGS & STRATTON 10D902 VEVAXEL VEVHUS		BRIGGS & STRATTON 10D902 CRANKSHAFT CRANKCASE		Sida Page	
2003-43		1477						346	
Pos. Fig.	Antal/Quantity			Art nr Part No	Benämning	Description	Sats Kit	Anmärkning Notes	
	10D 902- 0129	10D 902- 0141	10D 902- 0142						
A01	1	1	1	498668	Kolv kpl.....	Piston assy		Standard	
A01	1	1	1	498669	Kolv kpl.....	Piston assy010" oversize	
A01	1	1	1	498670	Kolv kpl.....	Piston assy020" oversize	
A01	1	1	1	498671	Kolv kpl.....	Piston assy030" oversize	
A02	1	1	1	498680	• Kolvringsatts.....	• Ring set.....		Standard	
A02	1	1	1	498681	• Kolvringsatts.....	• Ring set.....		.010" oversize	
A02	1	1	1	498682	• Kolvringsatts.....	• Ring set.....		.020" oversize	
A02	1	1	1	498683	• Kolvringsatts.....	• Ring set.....		.030" oversize	
A03	2	2	2	691588	• Låsring	• Piston pin lock			
A04	1	1	1	496792	Vevstake	Connecting rod			
A05	2	2	2	691664	• Skruv	• Screw			
A06	1	1	1	298908	Kolvbult kpl.....	Piston pin assy.....		.005" oversize	
A06	1	1	1	298909	Kolvbult kpl.....	Piston pin assy.....		Standard	
A07	1	1	1	296676	Utblåsningsventil	Exhaust valve			
A08	2	2	2	692194	• Ventilhållare	• Valve retainer			
A09	1	1	1	296677	Insugningsventil	Intake valve			
A10	1	1	1	690520	Ventilfjäder	Valve spring			
A11	2	2	2	691762	Ventillyftare	Valve tappet			
A12	1	1	1	690520	Ventilfjäder	Valve spring			
A13	1	1	1	691471	Vevaxel	Crankshaft.....			
A14	1	1	1	499047	• Stift	• Pin.....			
A15	1	1	1	691805	• Drev	• Timing gear.....			
A16	1	1	1	222698	Kil	Key			
A17	1	1	1	691998	Kamaxel.....	Camshaft.....			
A18	1	1	1	691983	Oljeslångare.....	Oil slinger.....			
A19	1	1	1	293709	• Bussning.....	• Bushing.....			
A20	1	1	1	391483	• Tätningssring	• Oil seal	S		
A21	1	1	1	395384	Vevhus.....	Oil sump			
A22	1	1	1	270895	• Vevhuspackning	• Crankcase gasket	S	.005" thick	
A22	1	1	1	270896	• Vevhuspackning	• Crankcase gasket	S	.009" thick	
A22	1	1	1	692218	• Vevhuspackning	• Crankcase gasket	S	.015" thick (Standard)	
A23	1	1	1	691680	Oljeavtappningsplugg	Oil drain plug			
A24	6	6	6	691662	Skruv	Screw			
A31	1	1	1	298989	Packningssatts	Gasket set		Märkta/marked S	

A

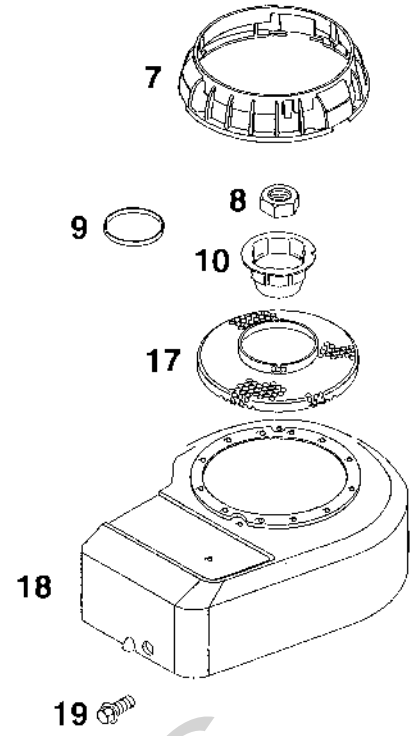
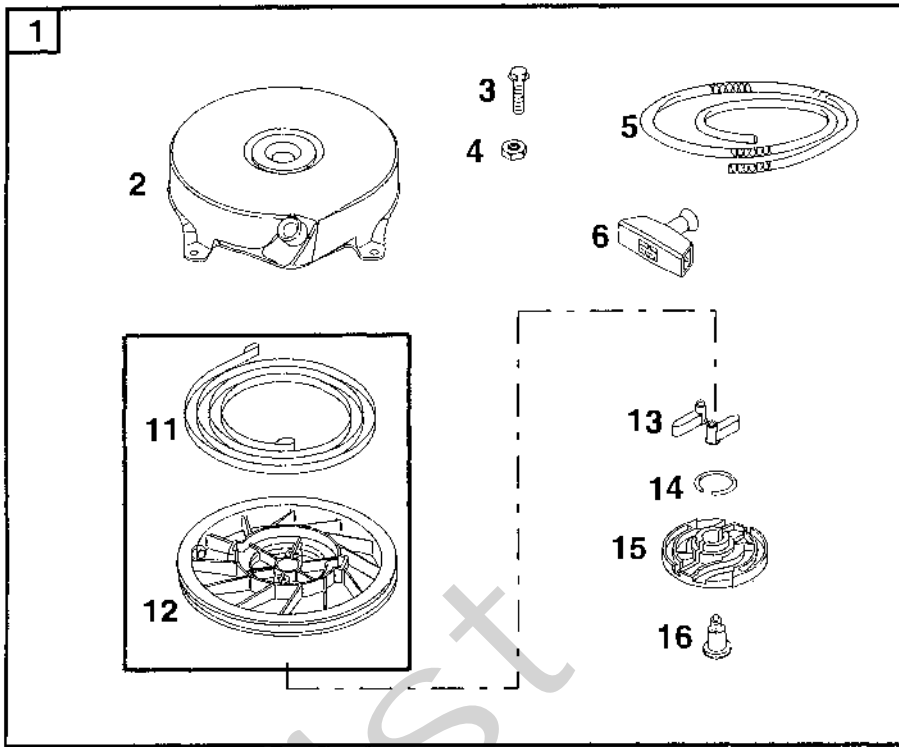


B

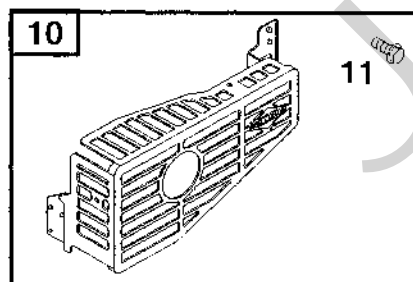
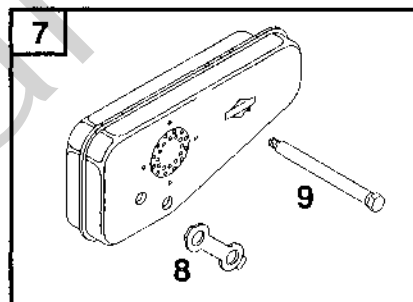
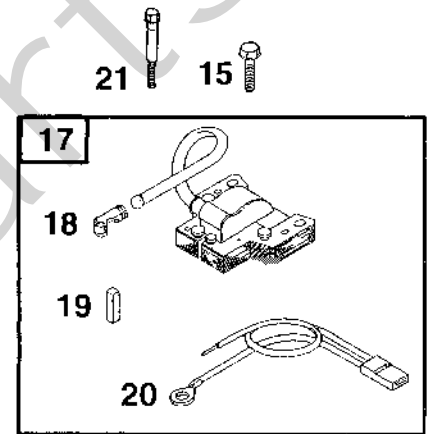
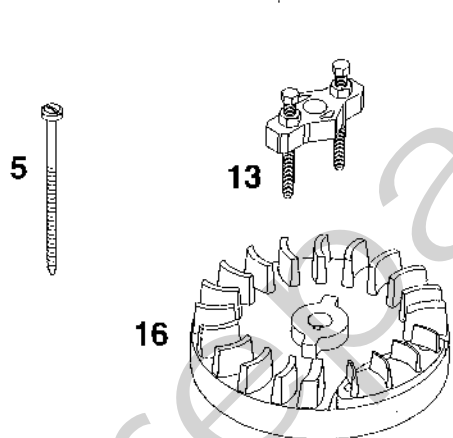
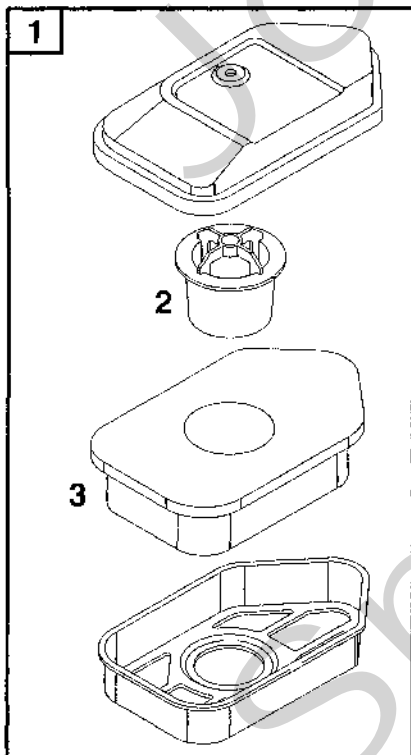


Utgåva Issue		Bildnr Picture No		BRIGGS & STRATTON 10D902 FÖRGASARE BRÄNSLETANK		BRIGGS & STRATTON 10D902 CARBURETTOR FUEL TANK		Sida Page	
2003-43		1273A						348	
Pos. Fig.	Antal/Quantity			Art nr Part No	Benämning	Description	Sats Kit	Anmärkning Notes	
	10D 902- 0129	10D 902- 0141	10D 902- 0142						
A01	4	4	4	692200	Skruv	Screw			
A02	1	1	1	692189	Hylsa	Grommet			
A03	1	1	1	498811	Förgasare kpl	Carburettor assy			
A04	1	1	1	494408	• Primer	• Primer bulb			
A04	1	1	1	694394	• Primer	• Carburettor primer			
A05	1	1	1	271139	• Packning	• Gasket			
A06	1	1	1	270344	• Tätning	• Seal			
A07	1	1	1	691931	• Spjällaxel	• Throttle shaft			
A08	1	1	1	691321	• Dammtätning	• Dust seal			
A09	1	1	1	691190	• Gasspjäll	• Throttle valve			
A10	1	1	1	691837	• Nät	• Screen			
A11	1	1	1	691839	• Fjäder	• Spring			
A12	1	1	1	496046	• Bränslerör	• Fuel pipe			
A13	1	1	1	494409	• Ventilsåte	• Check valve seat			
A14	1	1	1	691901	• Såte	• Inlet seat			
A15	1	1	1	495770	• Membran	• Diaphragm			
A16	1	1	1	695866	• O-ring	• O-ring seal			
B01	1	1	1	691446	Reglageplåt	Control bracket			
B02	1	1	1	690347	Regulatorlänk	Air vane link			
B03	1	1	1	690251	Regulatorfjäder	Governor spring			
B03	1	1	1	690254	Regulatorfjäder	Governor spring			
B04	1	1	1	691859	Fjäder	Idle spring			
B05	1	1	1	494406	Bränsletank	Fuel tank			
B06	1	1	1	497929	• Tanklock	• Fuel cap			
B07	1	1	1	692390	Stoppkabel	Stop wire			
B08	1	1	1	692198	Skruv	Screw			
B09	1	1	1	691697	Skruv	Screw			
B10	1	1	1	691633	Distans	Spacer			
B11	1	1	1	690586	Wireklämma	Wire clip			
B12	1	1	1	691349	Kåpa	Linkage cover			
B13	1	1	1	691111	Skruv	Screw			
B14	2	2	2	691146	Skruv	Screw			
B15	1	1	1	691487	Broms	Brake			
B16	1	1	1	692310	• Stoppkontakt	• Stop switch			
B17	1	1	1	692135	• Bromsfjäder	• Brake spring			
B18	1	1	1	690859	Skruv	Screw			
B19	1	1	1	691044	Skruv	Screw			
B20	1	1	1	690798	Wireklämma	Casing clamp			

A

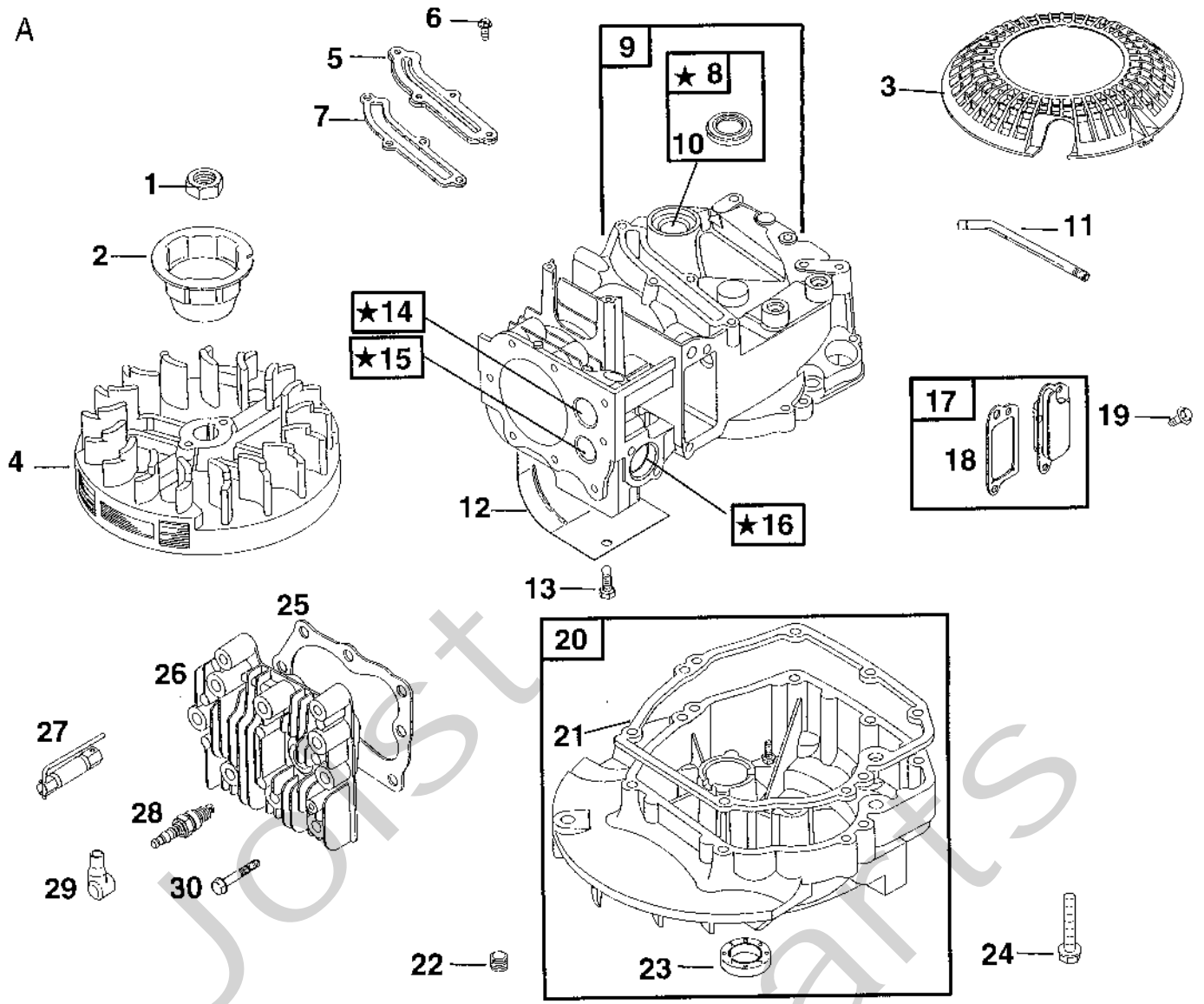


B

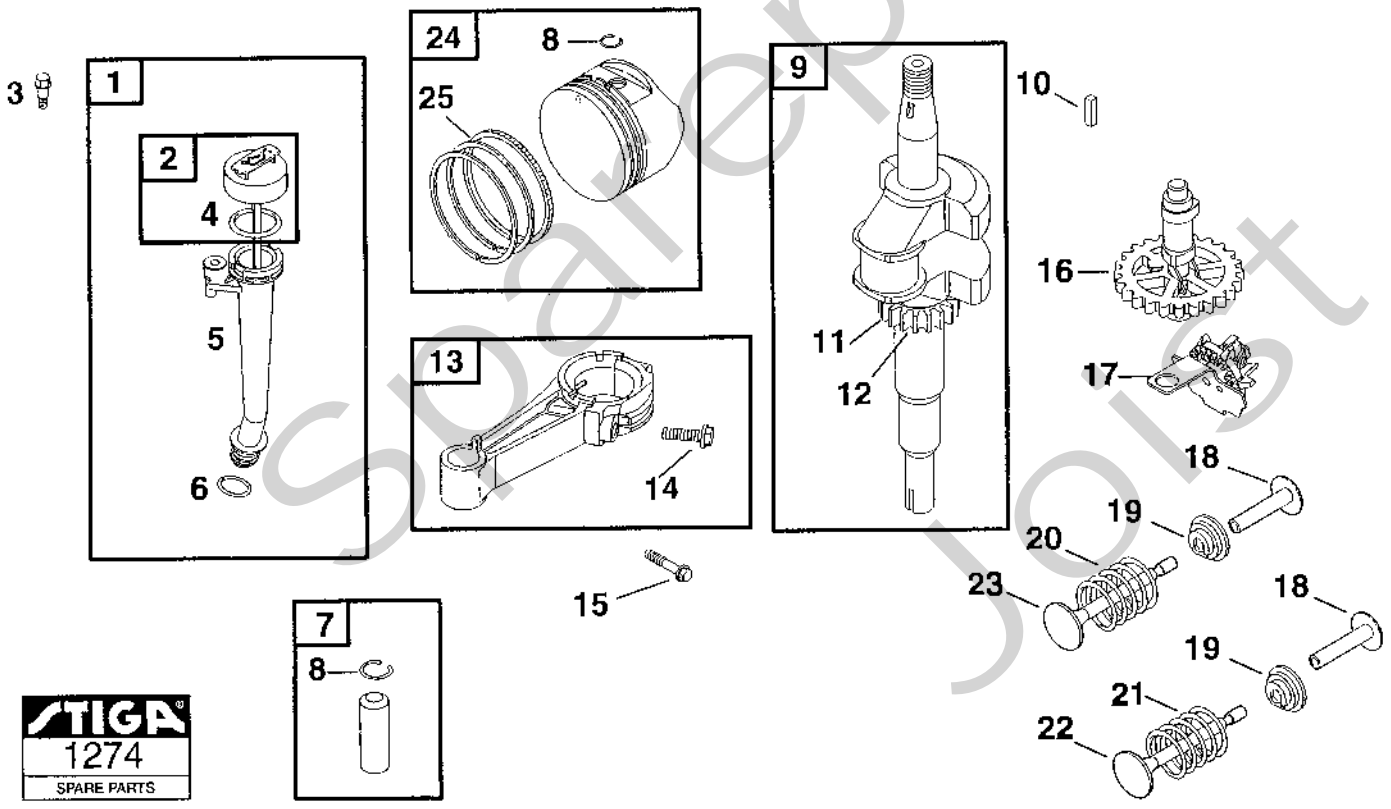


Utgåva Issue 2003-43		Bildnr Picture No 1272A		BRIGGS & STRATTON 10D902 START LUFTFILTER		BRIGGS & STRATTON 10D902 STARTER AIR CLEANER		Sida Page 350	
Pos. Fig.	Antal/Quantity			Art nr Part No	Benämning	Description	Sats Kit	Anmärkning Notes	
	10D 902- 0129	10D 902- 0141	10D 902- 0142						
A01	1	1	1	499706	Start kpl.....	Rewind starter.....			
A02	1	1	1	692144	• Starthus.....	• Starter housing.....			
A03	4	4	4	690837	• Skruv.....	• Screw.....			
A04	4	4	4	690800	• Mutter.....	• Nut.....			
A05	1	1	1	692259	• Startsnöre.....	• Starter rope.....			
A06	1	1	1	691915	• Starthandtag.....	• Starter grip.....			
A07	1	1	1	691348	Skydd.....	Rewind guard.....			
A08	1	1	1	690662	Mutter.....	Flywheel nut.....			
A09	1	1	1	694420	Roterande platta.....	Rotating trim plate.....			
A10	1	1	1	691236	Svänghjulskopp.....	Flywheel cup.....			
A11	1	1	1	499901	• Lnhjul m fjäder.....	• Pulley and spring.....			
A12	1	1	1	499901	• Lnhjul m fjäder.....	• Pulley and spring.....			
A13	2	2	2	281505	• Startklo.....	• Starter pawl.....			
A14	1	1	1	691855	• Friktionsfjäder.....	• Friction spring.....			
A15	1	1	1	692299	• Spärrplatta.....	• Pawl friction plate.....			
A16	1	1	1	691696	• Skruv.....	• Screw.....			
A17	1	1	1	691235	Skyddsnet.....	Rotating screen.....			
A18	1	1	1	691484	Fläkthus.....	Blower housing.....			
A19	3	3	3	692198	Skruv.....	Screw.....			
B01	1	1	1	493492	Luftfilter.....	Air cleaner.....			
B02	1	1	1	691911	• Stöd.....	• Support.....			
B03	1	1	1	272235	• Filterinsats.....	• Air cleaner filter.....			
B04	1	1	1	271139	Packning.....	Gasket.....			
B05	1	1	1	691417	Skruv.....	Screw.....			
B07	1	1	1	394644	Ljuddämpare.....	Muffler.....			
B07	1	1	1	692307	Ljuddämpare.....	Muffler.....			
B08	1	1	1	691179	• Låsbleck.....	• Screw lock.....			
B09	2	2	2	691413	• Skruv.....	• Screw.....			
B10	1	1	1	494896	Ljuddämparskydd.....	Muffler guard.....			
B11	2	2	2	690664	• Skruv.....	• Screw.....			
B12	1	1	1	691209	Svänghjulsskydd.....	Flywheel guard.....			
B13	1	1	1	19069	Avdragare.....	Puller.....			
B14	1	1	1	690482	Svänghjulsskydd.....	Flywheel guard.....			
B15	2	2	2	691061	Skruv.....	Screw.....			
B16	1	1	1	692009	Svänghjul.....	Flywheel.....			
B17	1	1	1	496914	Tändsystem kpl.....	Magneto armature.....			
B18	1	1	1	493880	• Anslutningshylsa.....	• Terminal.....			
B19	1	1	1	222698	• Kil.....	• Key.....			
B20	1	1	1	398808	• Kortslutningskabel.....	• Ground wire.....			
B21		1	1	691107	Skruv.....	Screw.....			

A



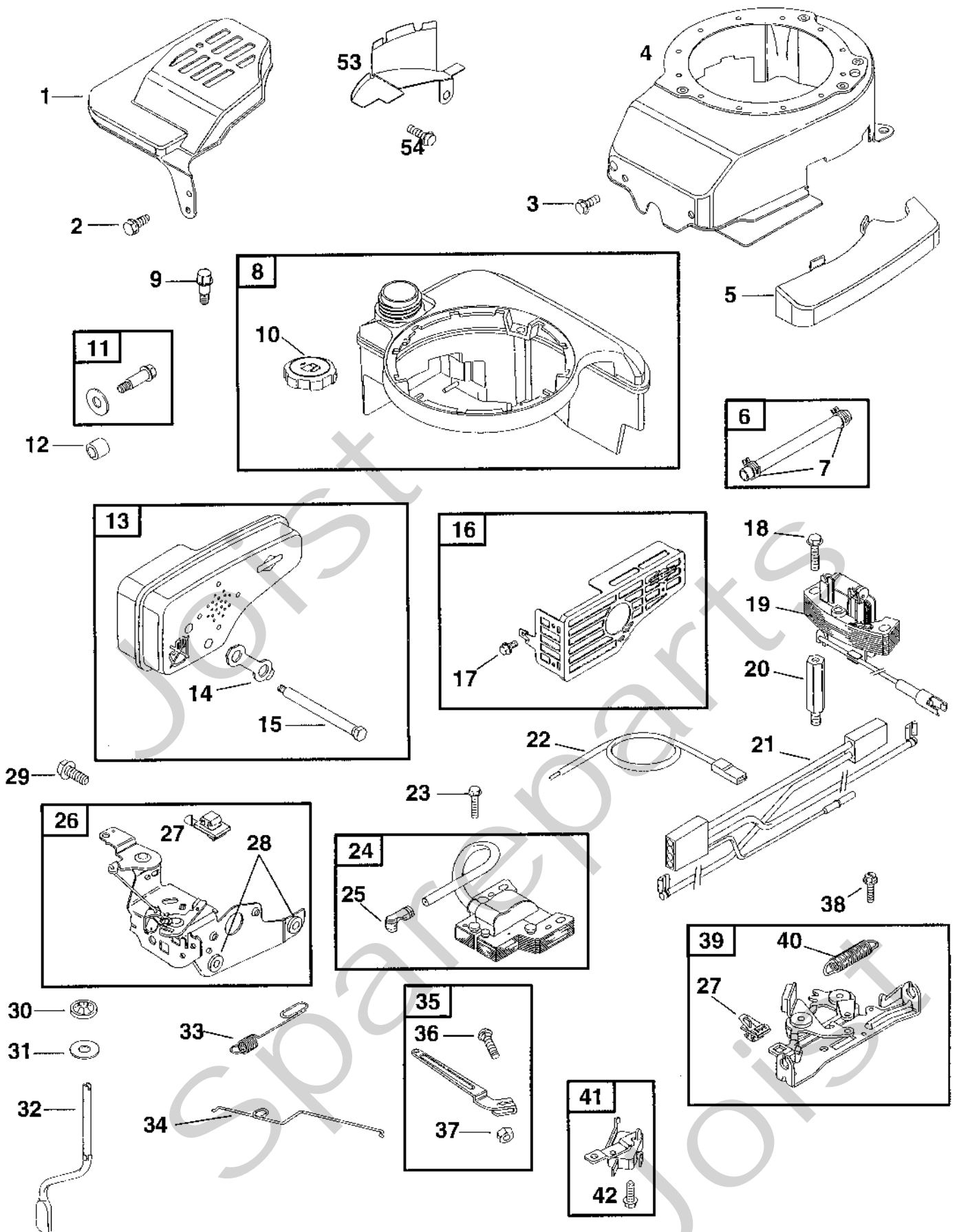
B



Utgåva Issue		Bildnr Picture No		BRIGGS & STRATTON 12H802, 12H807 CYLINDER VEVAXEL		BRIGGS & STRATTON 12H802, 12H807 CYLINDER CRANKSHAFT		Sida Page	
2003-43		1274						352	
Pos. Fig.	Antal/Quantity			Art nr Part No	Benämning	Description	Sats Kit	Anmärkning Notes	
	12H 802- 1935	12H 807- 1936	12H 802- 1966						
A01	1	1	1	690662	Mutter.....	Flywheel nut.....			
A02	1	1	1	695161	Svänghjuls kopp.....	Flywheel cup.....			
A03	1	1	1	691919	Skydd.....	Rewind guard.....			
A04		1		691987	Svänghjul.....	Flywheel.....			
A04	1		1	692315	Svänghjul.....	Flywheel.....			
A05	1	1	1	692342	Lock.....	Cover.....			
A06	4	4	4	690345	Skruv.....	Screw.....			
A07	1	1	1	691879	Packning.....	Gasket.....			
A08	1	1	1	399269	• Bussning.....	• Bushing.....			
A09	1	1	1	697322	Cylinder kpl.....	Cylinder Assy.....			
A10	1	1	1	299819	Tätningssring.....	Oil seal.....			
A11			1	499675	Ventilationsrör.....	Breather tube.....			
A11	1	1		691781	Ventilationsrör.....	Breather tube.....			
A12	1	1	1	690450	Cylinderskydd.....	Cylinder shield.....			
A13	1	1	1	690345	Skruv.....	Screw.....			
A14	1	1	1	691155	• Ventilåsa- insug.....	• Valve seat- intake.....			
A15	1	1	1	690380	• Ventilåsa- utblås.....	• Valve seat- exhaust.....			
A16	1	1	1	262001	• Ventilstyrning- utblås.....	• Valve guide- exhaust.....			
A16	1	1	1	63709	• Ventilstyrning- insug.....	• Guide- intake valve.....			
A17	1	1	1	695250	Vevhusventilation.....	Breather.....			
A18	1	1	1	696125	• Packning.....	• Gasket.....			
A19	2	2	2	691125	Skruv.....	Screw.....			
A20	1	1	1	493279	Vevhus.....	Engine sump.....			
A21	1	1	1	692232	• Packning.....	• Gasket.....			
A22	1	1	1	691680	Oljeavtappningsplugg.....	Oil drain plug.....			
A23	1	1	1	399781	• Tätningssring.....	• Oil seal.....			
A24	7	7	7	691092	Skruv.....	Screw.....			
A25	1	1	1	692249	Packning.....	Gasket.....			
A26	1	1	1	691160	Topplöck.....	Cylinder head.....			
A27	1	1	1	1111-9029-01	Tändstiftsnyckel.....	Spark plug wrench.....			
A28	1	1	1	9400-0225-00	Tändstift.....	Spark plug.....		Champion J19LM	
A29	1	1	1	66538	Tändstiftsskydd.....	Spark plug elbow.....			
A30	8	8	8	690912	Skruv.....	Screw.....			
B01	1	1	1	692017	Oljesticka kpl.....	Oil dipstick Assy.....			
B02	1	1	1	495264	• Oljesticka.....	• Oil dipstick.....			
B03	1	1	1	690940	Skruv.....	Screw.....			
B04	1	1	1	691031	• O-ring.....	• O-ring.....			
B05	1	1	1	495265	• Oljepåfyllningsrör.....	• Oil filler tube.....			
B06	1	1	1	692296	• Tätningssring.....	• Tube seal.....			
B07	1	1	1	499423	Kolvbult.....	Piston pin.....			
B08	2	2	2	691866	• Låsring.....	• Lock ring.....			
B09	1	1	1	691452	Vevaxel.....	Crankshaft.....			
B10	1	1	1	222698	Kil.....	Key.....			
B11	1	1	1	691830	• Drev.....	• Timing gear.....			
B12	1	1	1	690979	• Kil.....	• Timing key.....			
B13	1	1	1	499424	Vevstake.....	Connecting rod.....			
B14	1	1	1	691664	• Skruv.....	• Screw.....			
B15	1	1	1	695759	Skruv.....	Screw.....			
B16	1	1	1	691449	Kamaxel.....	Camshaft.....			
B17	1	1	1	691997	Oljeslångare.....	Oil slinger.....			
B18	2	2	2	690548	Ventilyftare.....	Valve tappet.....			
B19	2	2	2	692194	Ventilhållare.....	Valve retainer.....			
B20	1	1	1	691270	Ventilfjäder.....	Valve spring.....			
B21	1	1	1	691270	Ventilfjäder.....	Valve spring.....			
B22	1	1	1	262651	Utblåsningsventil.....	Exhaust valve.....			
B23	1	1	1	262652	Insugningsventil.....	Intake valve.....			
B24	1	1	1	499429	Kolv kpl.....	Piston Assy.....		Standard	
B24	1	1	1	499430	Kolv kpl.....	Piston Assy.....		.010" oversize	
B24	1	1	1	499431	Kolv kpl.....	Piston Assy.....		.020" oversize	
B24	1	1	1	499432	Kolv kpl.....	Piston Assy.....		.030" oversize	
B25	1	1	1	499425	• Kolvringsatts.....	• Ring set.....		Standard	
B25	1	1	1	499426	• Kolvringsatts.....	• Ring set.....		.010" oversize	
B25	1	1	1	499427	• Kolvringsatts.....	• Ring set.....		.020" oversize	

X

A

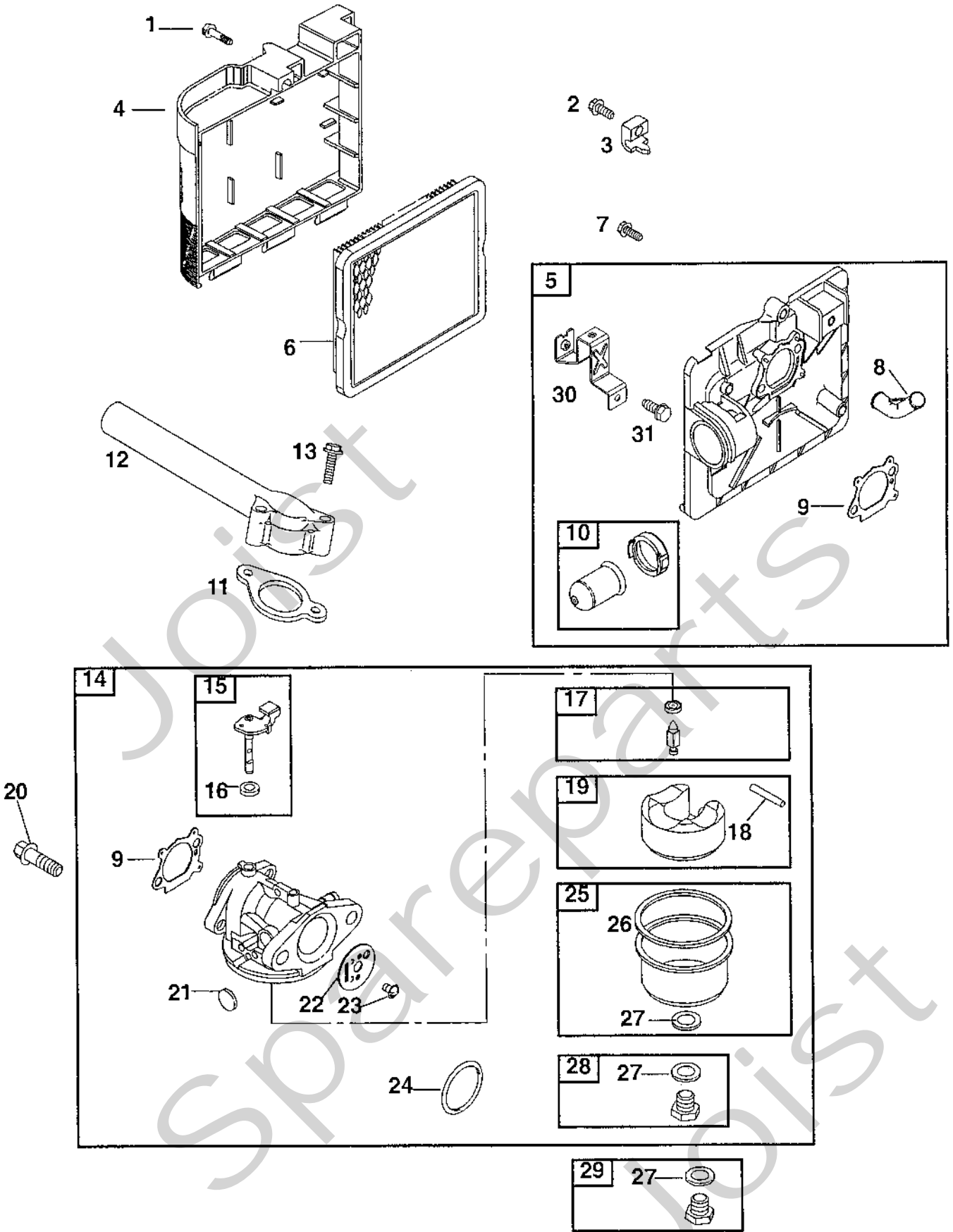


Utgåva Issue		Bildnr Picture No		BRIGGS & STRATTON 12H802, 12H807 BRÄNSLETANK REGULATOR		BRIGGS & STRATTON 12H802, 12H807 FUEL TANK GOVERNOR		Sida Page	
2003-43		1275						354	
Pos. Fig.	Antal/Quantity			Art nr Part No	Benämning	Description	Sats Kit	Anmärkning Notes	
	12H 802- 1935	12H 807- 1936	12H 802- 1966						
A01	1	1	1	691757	Lock.....	Control cover			
A02	1	1	1	690664	Skruv	Screw			
A03	4	4	4	691108	Skruv	Screw			
A04	1	1	1	493293	Fläkthus	Blower housing			
A05	1	1	1	690595	Lock.....	Brake cover			
A06	1		1	691050	Bränsleslang	Fuel line.....			
A06		1		691371	Bränsleslang	Fuel line.....			
A07	2	2	2	95162	Slangklämma.....	Hose clamp			
A08	1	1	1	495224	Bränsletank.....	Fuel tank			
A09	2	2	2	690940	Skruv	Screw			
A10	1	1	1	397974	• Tanklock	• Fuel cap.....			
A11	1	1	1	692311	Skruv/bricka	Screw/washer			
A12	1	1	1	692294	Distans	Spacer			
A13	1	1	1	692038	Ljuddämpare	Muffler			
A14	1	1	1	691740	• Låsbleck	• Screw lock			
A15	2	2	2	691340	• Skruv	• Screw			
A16	1	1	1	499034	Skydd	Guard			
A17	2	2	2	690664	• Skruv	• Screw			
A18		2		691648	Skruv	Screw			
A19		1		691991	Generator.....	Alternator			
A20		2		691094	Pinnbult	Stud			
A21		1		696547	Kablage.....	Wiring harness			
A22	1	1	1	692390	Stoppkabel.....	Stop wire			
A23	2	2	2	691061	Skruv	Screw			
A24	1	1	1	802574	Tändsystem	Magneto armature			
A25	1	1	1	493880	• Anslutningshylsa	• Terminal			
A26	1	1	1	692031	Reglageplåt.....	Control bracket			
A27	2	2	2	692310	• Stoppkontakt	• Stop switch			
A28	1	1	1	493823	• Distans	• Spacer			
A29	2	2	2	690877	Skruv	Screw			
A30	1	1	1	690340	Hållare	Retainer			
A31	1	1	1	690272	Bricka	Washer			
A32	1	1	1	691308	Regulatoraxel.....	Governor crank			
A32			1	698801	Regulatoraxel.....	Governor crank			
A33	1	1	1	691292	Regulatorfjäder.....	Governor spring			
A34	1	1	1	691829	Regulatorlänk	Governor link			
A35	1	1	1	690783	Regulatorarm.....	Govern. control lever			
A36	1	1	1	92613	• Skruv	• Screw			
A37	1	1	1	231082	• Mutter.....	• Nut			
A37			1	691251	• Mutter.....	• Nut			
A38	2	2	2	691648	Skruv	Screw			
A39	1	1	1	691994	Broms.....	Brake			
A40	1	1	1	691831	• Bromsfjäder.....	• Brake spring			
A41		1		499421	Brytare	Switch			
A42		1		691627	• Skruv	• Screw			
A53	1	1	1	694086	Svänhjulsskydd	Flywheel guard			
A54	1	1	1	691108	Skruv	Screw			

2 st/includes 2

X

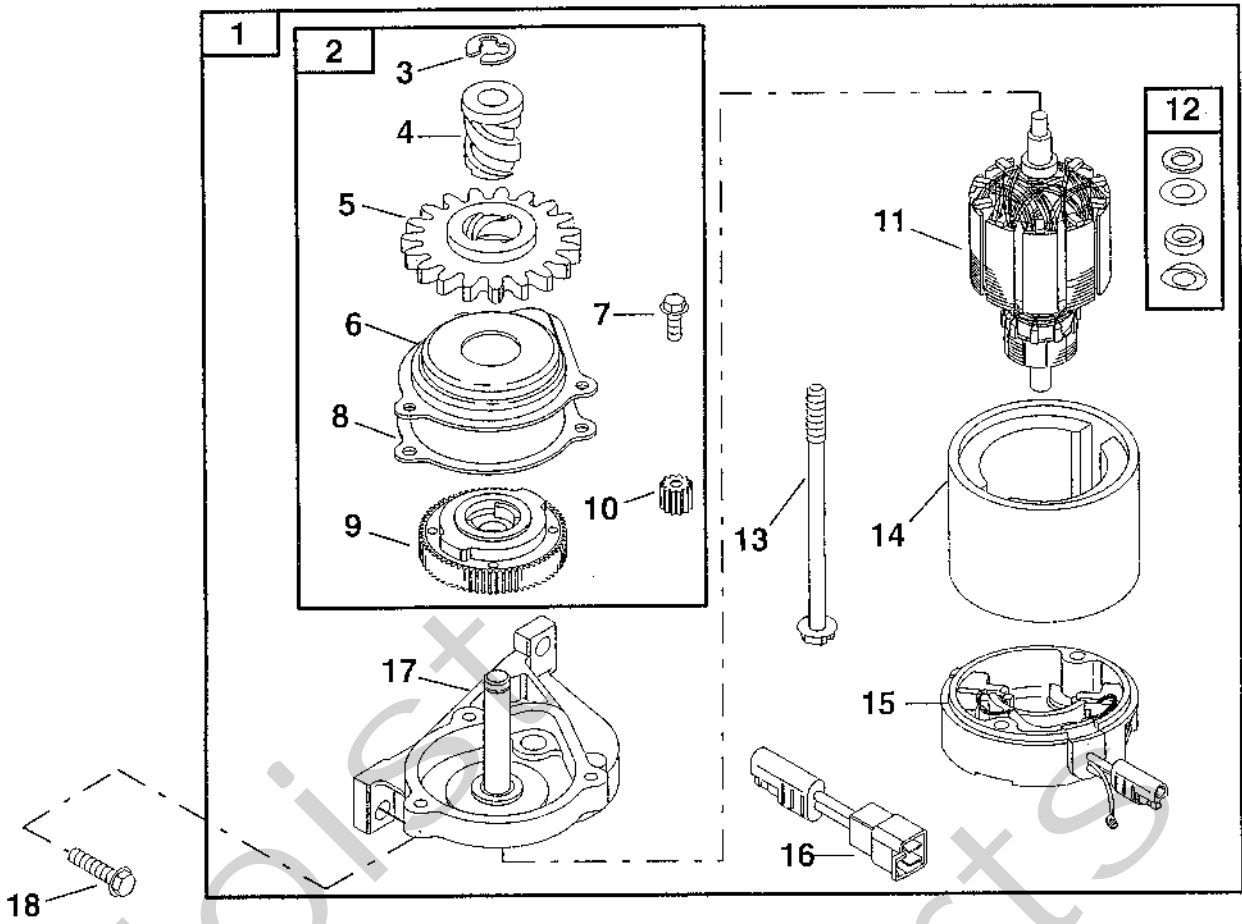
A



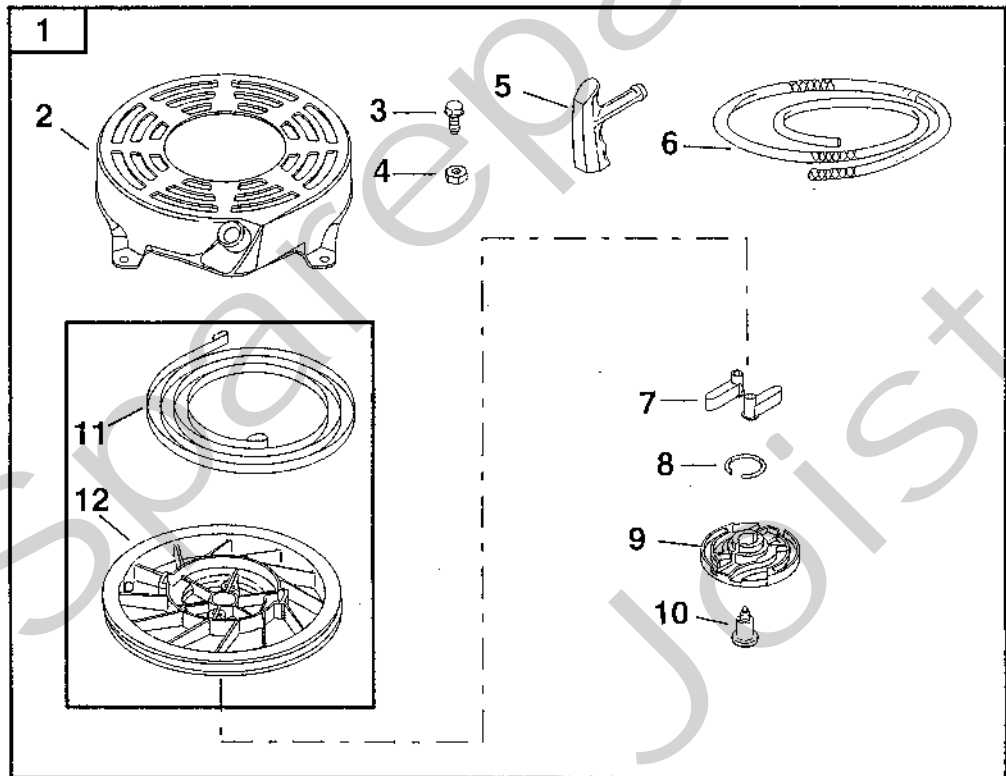
Utgåva Issue		Bildnr Picture No		BRIGGS & STRATTON 12H802, 12H807 LUFTFILTER FÖRGASARE		BRIGGS & STRATTON 12H802, 12H807 AIR CLEANER CARBURETTOR		Sida Page
2003- 43		1276A						356
Pos. Fig.	Antal/Quantity			Art nr Part No	Benämning	Description	Sats Kit	Anmärkning Notes
	12H 802- 1935	12H 807- 1936	12H 802- 1966					
A01	1	1	1	690670	Skruv	Screw		
A02	1	1	1	691044	Skruv	Screw		
A03	1	1	1	690798	Wireklämma	Casing clamp		
A04	1	1	1	692298	Luftrenarlock	Air cleaner cover		
A05	1	1	1	496116	Luftrenarfäste	Air cleaner base		
A06	1	1	1	491588	Pappersfilter	Air filter		
A07	2	2	2	692523	Skruv	Screw		
A08	1	1	1	691923	• Hylsa	• Grommet		
A09	1	1	1	272653	• Packning	• Gasket		
A10	1	1	1	694395	• Primer	• Primer		
A11	1	1	1	272199	Packning	Gasket		
A12	1	1	1	497465	Insugningsrör	Intake pipe		
A13	2	2	2	691650	Skruv	Screw		
A14	1	1	1	498170	Förgasare kpl.	Carburettor assy		
A15	1	1	1	696565	• Spjällaxel	• Throttle shaft		
A16	1	1	1	691321	• • Dammtätning	• • Dust seal		
A17	1	1	1	398188	• Bränslenål	• Inlet valve		
A18	1	1	1	691242	• • Flottöraxel	• • Float hinge pin		
A19	1	1	1	398187	• Flottör	• Float		
A20	2	2	2	692524	Skruv	Screw		
A21	1	1	1	694468	• Expansionsbricka	• Welch plug		
A22	1	1	1	696564	• Gasspjäll	• Throttle valve		
A23	1	1	1	691636	• Skruv	• Screw		
A24	1	1	1	270344	• Tätning	• Seal		
A25	1	1	1	493640	• Flottörhus	• Bowl		
A26	1	1	1	693981	• • Packning	• • Gasket		
A27	1	1	1	271716	• Tätningsbricka	• Sealing washer		
A28	1	1	1	498978	• Huvudmunstycke	• Main jet		
A29	1	1	1	497466	Huvudmunstycke	Main jet		
A30	1	1	1	691753	• Fäste	• Bracket		
A31	1	1	1	691669	• Skruv	• Screw		

Standard
High altitude

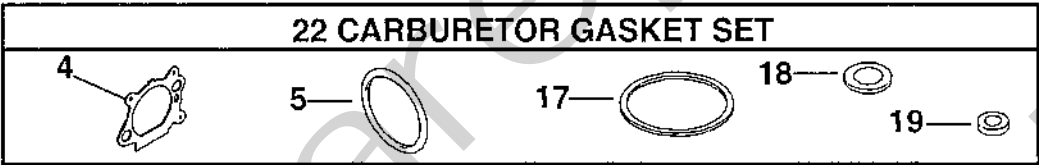
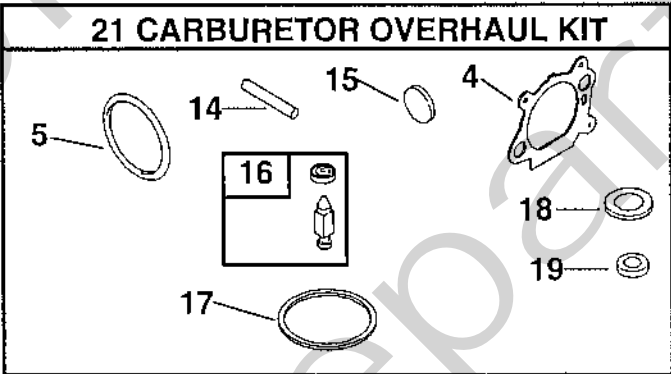
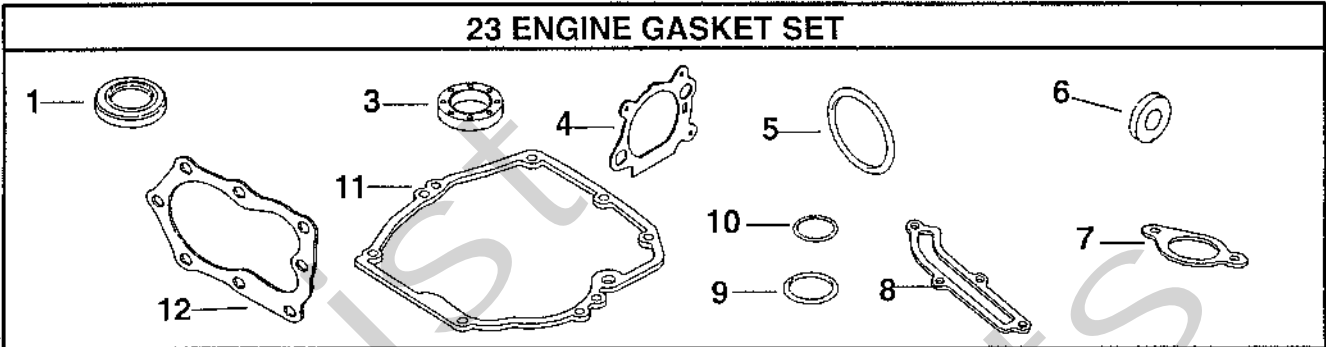
A



B

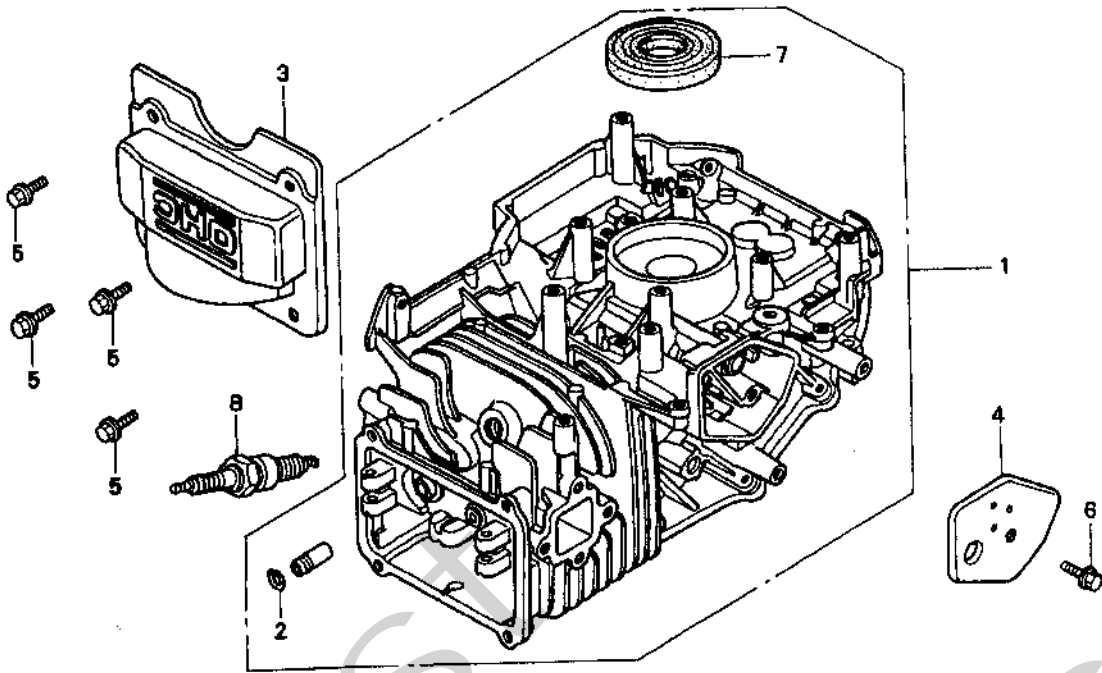


Utgåva Issue		Bildnr Picture No		BRIGGS & STRATTON 12H802, 12H807 STARTMOTOR SNÖRSTART		BRIGGS & STRATTON 12H802, 12H807 STARTER MOTOR REWIND STARTER		Sida Page	
2003-43		1277						358	
Pos. Fig.	Antal/Quantity			Art nr Part No	Benämning	Description	Sats Kit	Anmärkning Notes	
	12H 802- 1935	12H 807- 1936	12H 802- 1966						
A01		1		695550	Startmotor kpl	Starter motor assy			
A02		1		494147	• Drev kpl	• Drive kit			
A03		1		93941	•• Låsring	•• Retainer			
A04		1		691325	•• Snäckdrev	•• Starter spline			
A05		1		691918	•• Drev	•• Pinion gear			
A06		1		692341	•• Lock	•• Cover			
A07		3		690345	•• Skruv	•• Screw			
A08		1		692352	•• Packning	•• Gasket			
A09		1		692358	•• Koppling	•• Drive clutch			
A10		1		691269	•• Drev	•• Pinion gear			
A11		1		690786	• Rotor	• Starter armature			
A12		1		492919	• Brickor	• Washer set			
A13		2		692327	• Bult	• Bolt			
A14		1		695266	• Starthus	• Starter housing			
A15		1		695267	• Bottenkåpa	• End cap			
A16		1		695268	• Kabeladapter	• Wire adapter			
A17		1		690782	• Lock	• Drive cap			
A18		2		691127	Skruv	Screw			
B01	1	1	1	497680	Start kpl	Starter assy			
B02	1	1	1	691421	• Starthus	• Starter housing			
B03	4	4	4	690837	• Skruv	• Screw			
B04	4	4	4	690800	• Mutter	• Nut			
B05	1	1	1	281434	• Starthandtag	• Handle			
B06	1	1	1	692259	• Startsnöre	• Starter rope			
B07	2	2	2	281505	• Startklo	• Starter pawl			
B08	1	1	1	691855	• Friktionsfjäder	• Friction spring			
B09	1	1	1	692299	• Spärrplatta	• Pawl friction plate			
B10	1	1	1	691696	• Skruv	• Screw			
B11	1	1	1	498144	• Linhjul m.fjäder	• Pulley/spring			
B12	1	1	1	498144	• Linhjul m.fjäder	• Pulley/spring			

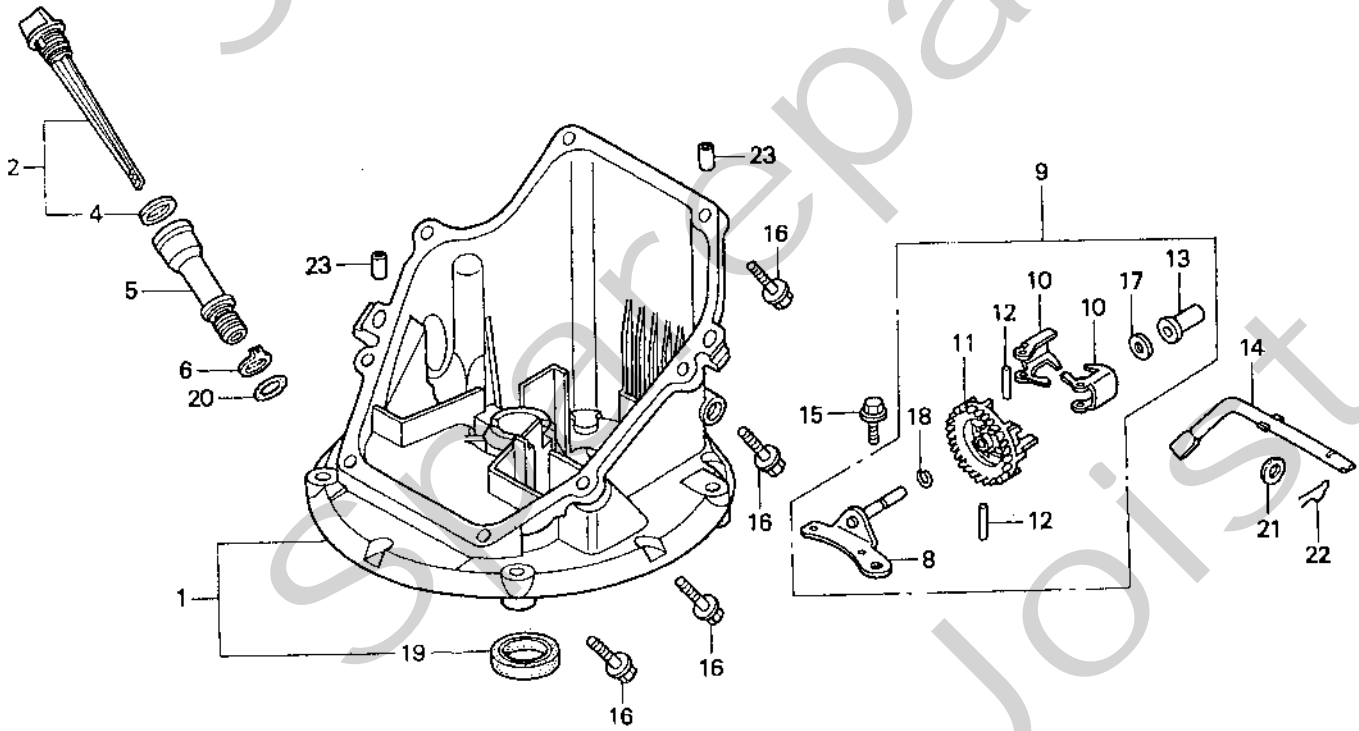


Utgåva Issue 2003-43		Bildnr Picture No 1278A		BRIGGS & STRATTON 12H802, 12H807 PACKNINGSSATS		BRIGGS & STRATTON 12H802, 12HB07 GASKET SET		Sida Page 360	
Pos. Fig.	Antal/Quantity			Art nr Part No	Benämning	Description	Sats Kit	Anmärkning Notes	
	12H 802- 1935	12H 807- 1936	12H 802- 1966						
A01	1	1	1	299819	• Tätningsring	• Oil seal			
A03	1	1	1	399781	• Tätningsring	• Oil seal			
A04	1	1	1	272653	• Packning	• Gasket			
A05	1	1	1	270344	• Tätning	• Seal			
A06	1	1	1	493823	• Distans	• Spacer			
A07	1	1	1	272199	• Packning	• Gasket			
A08	1	1	1	691879	• Packning	• Gasket			
A09	1	1	1	691031	• O- ring	• O- ring			
A10	1	1	1	692296	• Tätningsring	• Tube seal			
A11	1	1	1	692232	• Packning	• Gasket			
A12	1	1	1	692249	• Packning	• Gasket			
A14	1	1	1	691242	• Flottöraxel	• Float hinge pin			
A15	1	1	1	694468	• Expansionsbricka	• Welch plug			
A16	1	1	1	398188	• Bränslenål	• Inlet valve			
A17	1	1	1	693981	• Packning	• Gasket			
A18	1	1	1	271716	• Tätningsbricka	• Sealing washer			
A19	1	1	1	691321	• Dammtätning	• Dust seal			
A21	1	1	1	498260	Rep.sats förgasare	Carb. overhaul kit			
A22	1	1	1	498261	Packn.sats- förg	Gasket set- carb.			
A23	1	1	1	497316	Packn.sats- motor	Gasket set- engine			

A

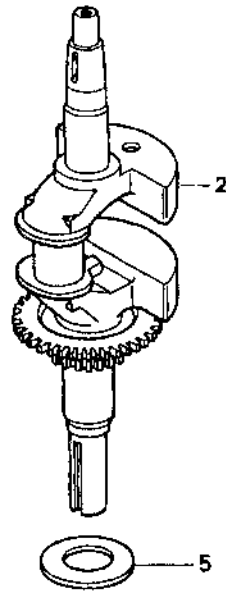


B

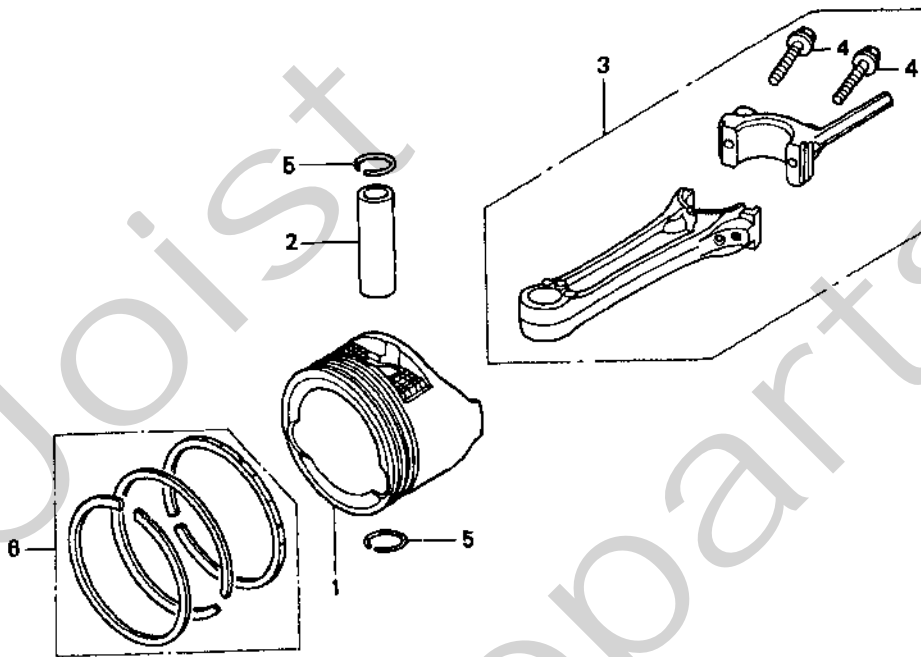


Utgåva Issue		Bildnr Picture No		HONDA GCV 135, 160 CYLINDER VEVHUS		HONDA GCV 135, 160 CYLINDER CRANKCASE		Sida Page
2003-43		956A						390
Pos. Fig.	Anta/Quantity			Art nr Part No	Benämning	Description	Sats Kit	Anmärkning Notes
	GCV 135 A2G7	GCV 160 A2G7						
X	A01		1	12000ZL8415	Cylinder	Cylinder		Champion RN9YC
X	A01	1		12000ZL9415	Cylinder	Cylinder		
	A02	1	1	12216ZE5300	• Låsring	• Clip		
	A03	1	1	12311ZL8000	Lock	Cover		
	A04	1	1	12355ZL8000	Lock	Cover		
	A05	4	4	90013883000	Bult	Boit		
	A06	1	1	90014952000	Bult	Bolt		
	A07	1	1	91201ZL8003	• Tättningsring	• Oil seal		
	A08	1	1	9400-0289-01	Tändstift	Spark plug		
X	B01	1	1	11300ZM0811	Vevhus	Oil pan		
	B02	1	1	15650ZM0801	Oljesticka	Oil dipstick		
	B04	1	1	15625ZE6000	• Packning	• Gasket		
	B05	1	1	15631ZM0000	Oljepåfyllningsrör	Oil filler extension		
	B06	1	1	15639ZM0000	Bricka	Washer		
X	B08	1	1	16508ZM0010	• Axel	• Shaft		
X	B09	1	1	16510ZM0010	Regulator kpl	Governor assy		
	B10	2	2	16511ZL8000	• Vikt	• Weight		
	B11	1	1	16512ZM0000	• Vikthållare	• Weight holder		
	B12	2	2	16513ZE1000	• Stift	• Pin		
	B13	1	1	16531ZE1000	• Glidhylsa	• Slider		
	B14	1	1	16541ZM0000	Regulatorarm	Shaft		
	B15	1	1	90014952000	Bult	Boit		
	B16	8	8	90121952000	Bult	Bolt		
	B17	1	1	90451ZE1000	• Bricka	• Washer		
	B18	1	1	90602ZE1000	• Låsring	• Clip		
	B19	1	1	91202ZL8003	• Tättningsring	• Oil seal		
X	B20	1	1	91303ZM0003	O-ring	O-ring		
	B21	1	1	9410106800	Bricka	Washer		
	B22	1	1	9425108000	Låspinne	Lock pin		
	B23	2	2	9430108200	Styrpinne	Dowel pin		

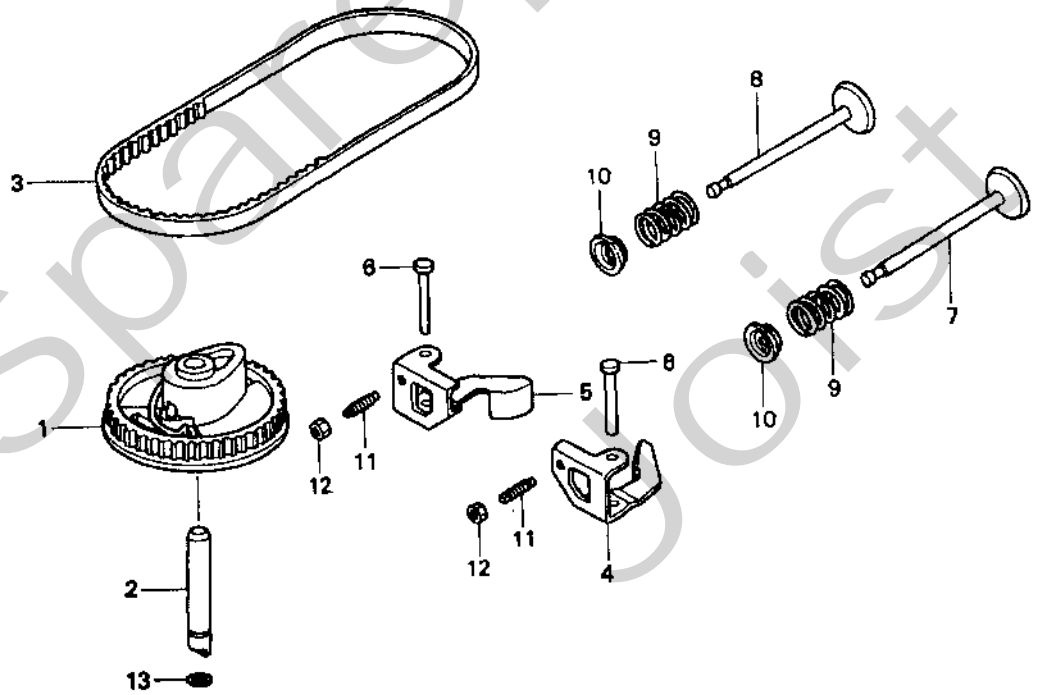
A



B

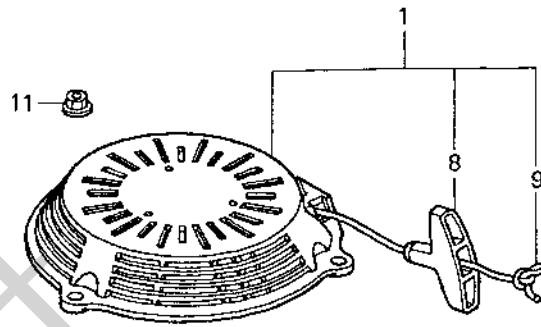


C

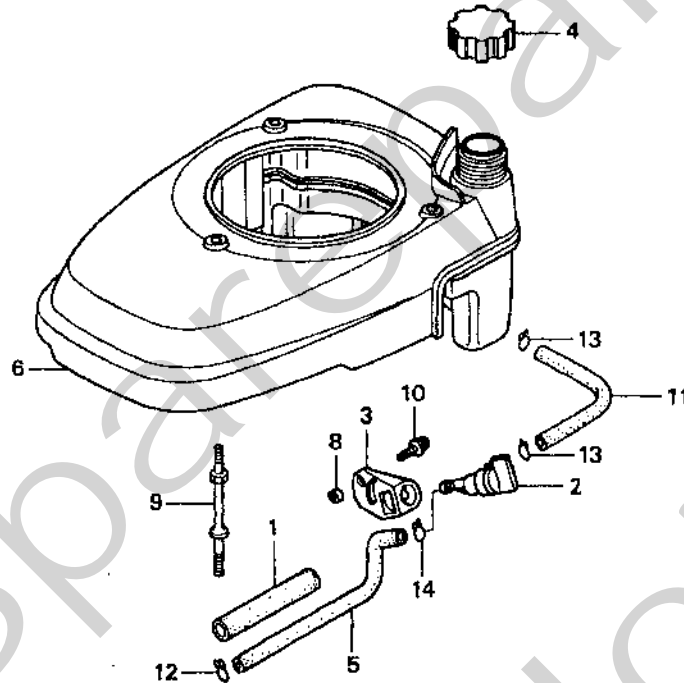


Utgåva Issue		Bildnr Picture No		HONDA GCV 135, 160 VEVAXEL KAMAXEL		HONDA GCV 135, 160 CRANKSHAFT CAMSHAFT		Sida Page
2003-43		957						392
Pos. Fig.	Antal/Quantity			Art nr Part No	Benämning	Description	Sats Kit	Anmärkning Notes
	GCV 135 A2G7	GCV 160 A2G7						
A02		1		13310ZM0600	Vevaxel	Crankshaft		
A02	1			13310ZM1600	Vevaxel	Crankshaft		
A05	1	1		90402ZL8000	Bricka	Washer		
B01	1	1		13101ZL8000	Kolv	Piston		
B02	1	1		13111ZE0000	Kolvbult	Piston pin		
B03		1		13200ZL8000	Vevstake	Connecting rod		
B03	1			13200ZL9000	Vevstake	Connecting rod		
B04	2	2		90001ZE1000	Bult	Bolt		
B05	2	2		90551ZE0000	Låsring	Clip		
X B06	1	1		13010ZL8014	Kolvringssats	Ring set		Teikoku
C01	1	1		14320ZL8000	Remskiva	Pulley		
C02	1	1		14324ZL8000	Axel	Shaft		
C03		1		14400ZL8003	Kamrem	Belt		
C03	1			14400ZL9003	Kamrem	Belt		
C04	1	1		14431ZL8000	Vipparm- insug	In. valve rocker arm		
C05	1	1		14441ZL8000	Vipparm- utblås	Ex. valve rocker arm		
C06	2	2		14461ZL8000	Axel	Shaft		
C07	1	1		14711ZL8000	Insugningsventil	Intake valve		
C08	1	1		14721ZL8000	Utblåsningsventil	Exhaust valve		
C09	2	2		14751ZL8000	Ventilfjäder	Valve spring		
C10	2	2		14771ZE1000	Ventilfjäderhållare	Valve spring retainer		
C11	2	2		90012333000	Justerskruv	Adjusting screw		
X C12	2	2		90206001000	Mutter	Nut		
C13	1	1		91301Z0M003	O-ring	O-ring		

A

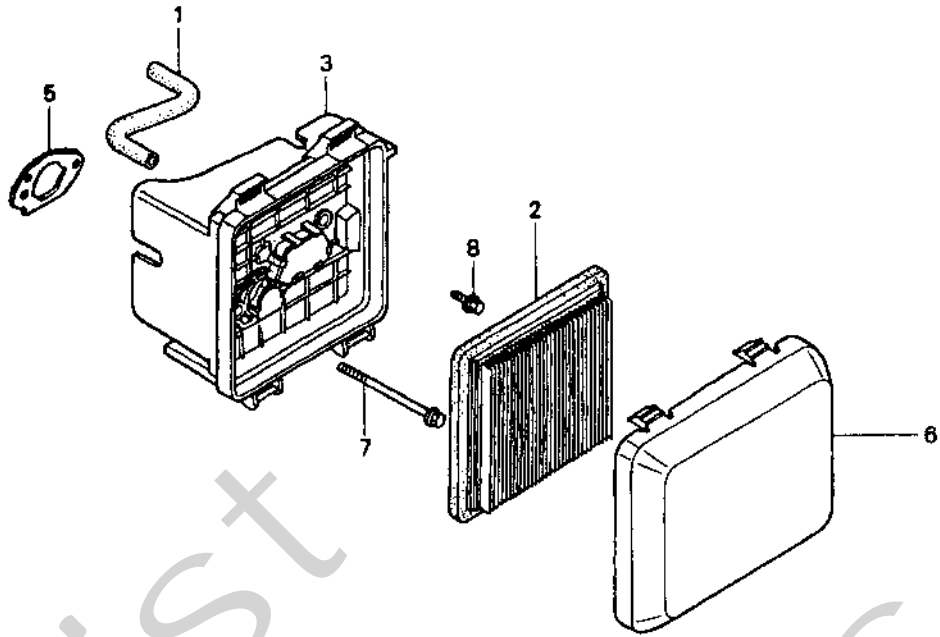


B

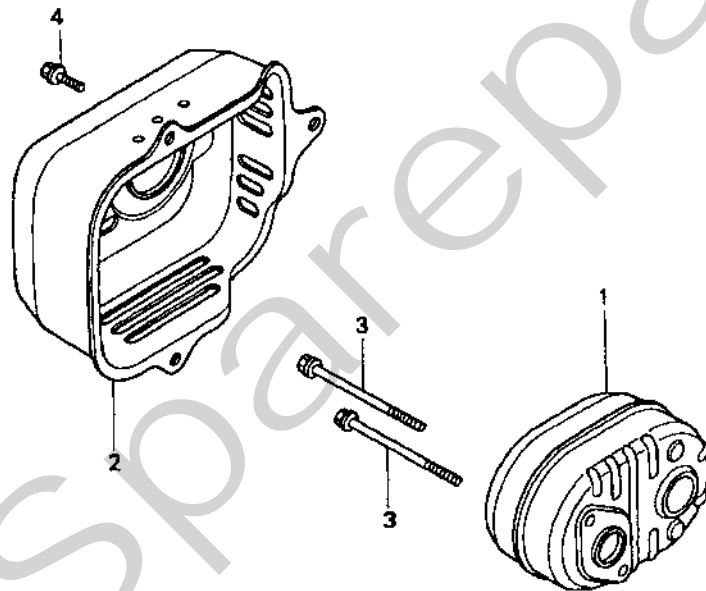


Utgåva Issue		Bildnr Picture No		HONDA GCV 135, 160 START BRÄNSLETANK		HONDA GCV 135, 160 RECOIL STARTER FUEL TANK		Sida Page
2003-43		958						394
Pos. Fig.	Antal/Quantity			Art nr Part No	Benämning	Description	Sats Kit	Anmärkning Notes
	GCV 135 A2G7	GCV 160 A2G7						
X	A01A	1	1	28400ZM0632	Start kpl.....	Starter assy.....		ZA *NH1* black
X	A01B	1	1	28400ZM0632	Start kpl.....	Starter assy.....		ZB *R8* red
	A08	1	1	28461ZL8003	• Handtag.....	• Grip.....		
	A09	1	1	28462ZL8631	• Startsnöre.....	• Starter rope.....		
	A11	3	3	90201ZM0000	Mutter.....	Nut.....		
	B01	1	1	16854ZH8000	Gummistöd.....	Rubber supporter.....		
	B02	1	1	16950ZG9M02	Bensinkran.....	Fuel cock.....		
	B03	1	1	16956ZM0000	Fäste.....	Bracket.....		
X	B04	1	1	17620ZL8013	Tanklock.....	Fuel tank cap.....		
	B05	1	1	17702ZM0000	Bränslerör.....	Fuel tube.....		
X	B06A		1	19610ZM0010	Bränsletank.....	Fuel tank.....		ZA *NH1* black
X	B06B		1	19610ZM0010	Bränsletank.....	Fuel tank.....		ZB *R8* red
X	B06C	1		19610ZM1010	Bränsletank.....	Fuel tank.....		ZA *NH1* black
X	B06D	1		19610ZM1010	Bränsletank.....	Fuel tank.....		ZB *R8* red
	B08	1	1	33609GK4620	Hylsa.....	Collar.....		
	B09	3		90041ZL9000	Pinnbult.....	Stud bolt.....		
	B09		3	90043ZL8000	Pinnbult.....	Stud bolt.....		
	B10	1	1	938910501008	Skruv.....	Screw.....		
	B11	1	1	950015513540	Bränslerör.....	Fuel tube.....		5.3 x 135
	B12	1	1	9500202080	Slangklämma.....	Tube clip.....		
	B13	2	2	9500202100	Slangklämma.....	Tube clip.....		
	B14	1	1	9500250000	Slangklämma.....	Tube clip.....		

A



B

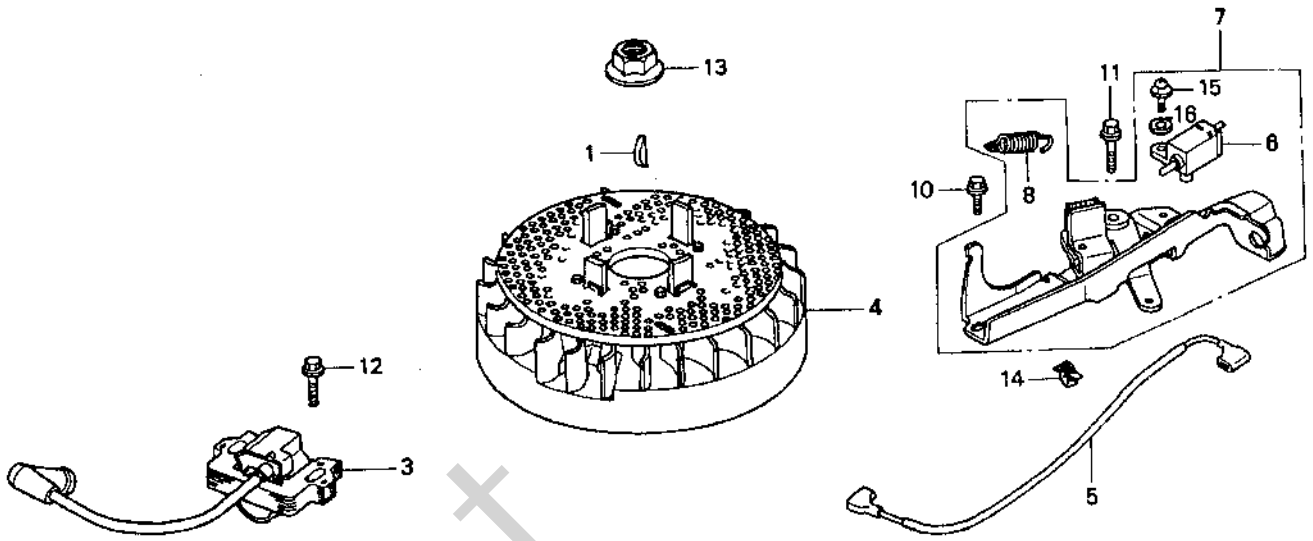


Utgåva Issue 2003-43		Bildnr Picture No 959		HONDA GCV 135, 160 LUFFFILTER LJUDDÄMPARE		HONDA GCV 135, 160 AIR CLEANER MUFFLER		Sida Page 396
Pos. Fig.	Antal/Quantity			Art nr Part No	Benämning	Description	Sats Kit	Anmärkning Notes
	GCV 135 A2G7	GCV 160 A2G7						
A01		1		15721ZM0000	Ventilationsrör	Breather tube		
A01	1			15721ZM1000	Ventilationsrör	Breather tube		
A02	1	1		17211ZL8003	Filterelement	Air cleaner element		
A03	1	1		17220ZM0000	Luftrenarhus	Air cleaner case		
A05	1	1		17228ZM0000	Packning	Gasket		
A06	1	1		17231ZM0000	Kåpa	Cover		
A07	2	2		90003ZM0000	Bult	Bolt		
A08	1	1		957010601408	Bult	Bolt		
B01	1	1		18310ZM0000	Ljuddämpare	Muffler		
B02	1	1		18321ZL8000	Skydd	Protector		
B03	2	2		90004ZL8000	Bult	Bolt		
B04	3	3		90013883000	Bult	Bolt		

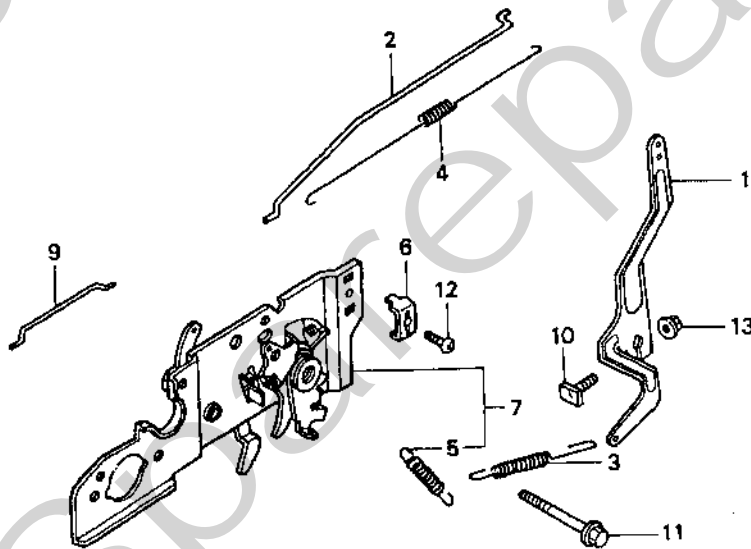
X

Joist Spareparts

A

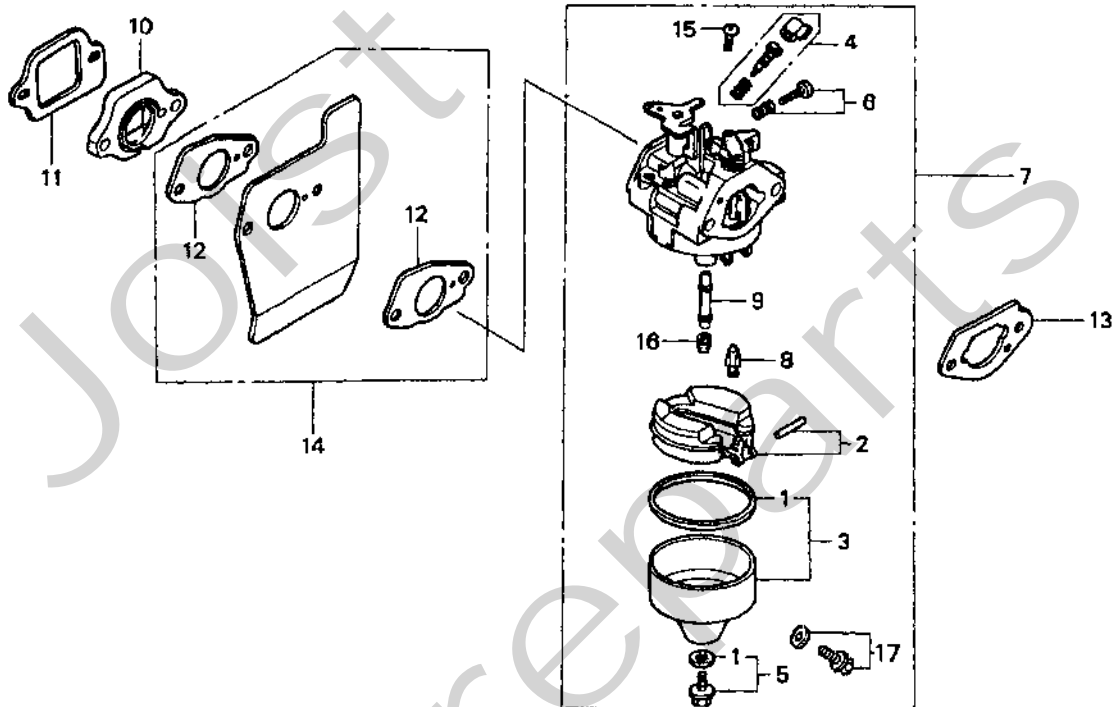


B



Utgåva Issue		Bildnr Picture No		HONDA GCV 135, 160 SVÄNGHJUL REGULATOR		HONDA GCV 135, 160 FLYWHEEL CONTROL		Sida Page
2003-43		960						398
Pos. Fig.	Antal/Quantity			Art nr Part No	Benämning	Description	Sats Kit	Anmärkning Notes
	GCV 135 A2G7	GCV 160 A2G7						
A01	1	1		13331357000	Key	Key		
A03	1	1		30500ZL8004	Tändspole	Ignition coil		
A04		1		31105ZM0000	Svängjul	Flywheel		
A04	1			31105ZM1000	Svängjul	Flywheel		
A05	1	1		32195ZM0000	Kabel	Cord		
A06	1	1		35120ZM0003	• Stoppkontakt	• Stop switch		
A07	1	1		75100ZM0000	Broms kpl	Brake assy		
A08	1	1		75113ZM0000	• Fjäder	• Spring		
A10	1	1		90014952000	Bult	Bolt		
A11	1	1		90018ZE1000	Bult	Bolt		
A12	1	1		90022888010	Bult	Bolt		
A13	1	1		90201878003	Mutter	Nut		
A14	1	1		90681959003	Kabelklämma	Cable clip		
A15	1	1		938920401200	• Skruv	• Screw		
A16	1	1		9410304000	• Bricka	• Washer		
X B01	1	1		16551ZM0010	Regulatorarm	Governor arm		
B02		1		16555ZM0000	Regulatorlänk	Governor rod		
B02	1			16555ZM1000	Regulatorlänk	Governor rod		
B03		1		16561ZM0000	Regulatorfjäder	Governor spring		
B03	1			16561ZM1000	Regulatorfjäder	Governor spring		
B04		1		16562ZM0000	Returfjäder	Return spring		
B04	1			16562ZM1000	Returfjäder	Return spring		
B05	1	1		16576ZE7300	• Fjäder	• Lever spring		
B06	1	1		16576891000	Kabelhållare	Cable holder		
X B07	1	1		16580ZM0020	Reglageplatta	Control base		
B09	1	1		16674ZM0000	Chokelänk	Choke rod		
B10	1	1		90015ZE5010	Bult	Bolt		
B11	1	1		90016ZM0000	Bult	Bolt		
B12	1	1		93500050160A	Skruv	Screw		
B13	1	1		9405006000	Mutter	Nut		

A



Utgåva Issue 2003-43		Bildnr Picture No 961A		HONDA GCV 135, 160 FÖRGASARE		HONDA GCV 135, 160 CARBURETTDR		Sida Page 400	
Pos. Fig.	Antal/Quantity			Art nr Part No	Benämning	Description	Sats Kit	Anmärkning Notes	
	GCV 135 A2G7	GCV 160 A2G7							
	A01	1	1	16010883015	• • Packningssats	• • Gasket set			
	A02	1	1	16013ZL1003	• Flottörsats	• Float set			
X	A03	1	1	16015887782	• Flottörhus	• Float chamber			
X	A04	1	1	16016ZG0W00	• Justerskruv	• Set screw			
	A05	1	1	16028ZE0005	• Skruv	• Screw			
	A06	1	1	16029ZG0901	• Justerskruv	• Set screw			
X	A07		1	16100ZM0803	Förgasare kpl	Carburettor assy		BB62B D	
X	A07	1		16100ZM1822	Förgasare kpl	Carburettor assy		BB64F A	
	A08	1	1	16155ZM0003	• Ventil	• Valve			
	A09		1	16166ZM0003	• Munstycke	• Main nozzle			
	A09	1		16166ZM1003	• Munstycke	• Main nozzle			
	A10	1	1	16211ZL8000	Isolator	Insulator			
	A11	1	1	16212ZL8000	Packning	Gasket			
	A12	1	1	16221883800	• Packning	• Gasket			
	A13	1	1	16228ZL8000	Packning	Gasket			
	A14	1	1	19650ZM0000	Luftplåt	Air guide			
	A15	1	1	93500050061H	• Skruv	• Screw			
	A16	1		991011240580	• Munstycke	• Main jet		#58	
	A16	1	1	991011240600	• Munstycke	• Main jet		#60	
	A16	1	1	991011240620	• Munstycke	• Main jet		#62	
	A16	1	1	991011240650	• Munstycke	• Main jet		#65	
X	A17	1	1	16024ZE1811	• Dräneringsskruv	• Drain screw			

Utgåva Issue		Bildnr Picture No		MULTICLIP 48 STYRE HJULUPPHÄNGNING		MULTICLIP 48 HANDLE WHEEL SUSPENSION		Sida Page
2003-43		1598						36
Pos. Fig.	Antal/Quantity		Art nr Part No	Benämning	Description	Sats Kit	Anmärkning Notes	
	8186 -99	8103 -99						
1	1	1	1111-2974-01	Styre-överdel	Handlebar-upper part			
2	1	1	1111-2134-01	Styre- underdel	Handlebar-lower part			
3	1	1	1482-0163-01	Låsraff	Locking knob			
4	4	4	9799-0831-02	Mutter	Nut			
5	4	4	9959-0816-16	Skruv	Screw			
6	1	1	9699-0035-02	Planbricka	Flat washer			
10	1		9948-0640-16	Skruv	Screw		L = 40 mm	
10		1	9948-0670-16	Skruv	Screw		L = 70 mm	
11	1	1	9747-0631-02	Låsmutter	Lock nut			
12	1	1	1111-2018-01	Kabelhållare	Cable holder			
13	1	1	9836-9216-12	Skruv	Screw			
14	1	1	1111-2953-01	Manöverbygel	Control handle			
15	1	1	1111-2968-01	Motorbromswire	Engine brake cable			
15A	1	1	1111-2969-01	Wirefäste	Cable attachment			
16	1	1	1111-3063-01	Ögla	Eye link			
17	1	1	9747-0631-02	Låsmutter	Lock nut			
18		1	1111-3301-01	Gasreglage	Throttle control			
30A	1	1	1111-1483-01	Styrinfästning- vä	Handle attachm.- L.H.			
30B	1	1	1111-1484-01	Styrinfästning- hö	Handle attachm.- R.H.			
31	2	2	1111-1485-01	Plugg	Plug			
32	4	4	9942-0820-16	Skruv	Screw			
33	1	1	1111-3486-01	Ställplatta	Adjusting plate			
34	1	1	1111-3266-01	Bakaxel	Rear axle			
35	1	1	9997-0830-16	Skruv	Screw			
36	1	1	1111-1519-02	Distans	Spacer			
37	1	1	9739-0831-22	Mutter	Nut			
38	1	1	1111-1839-01	Höjdställningsspak	Lever			
39	1	1	9799-0831-02	Mutter	Nut			
40	1	1	9403-0036-70	Kula	Lever knob			
41	2	2	1111-2653-01	Hjulrensare	Wheel cleaner			
42	2	2	9699-0025-02	Planbricka	Washer			
43	2	2	9943-0610-16	Skruv	Screw			
44	1	1	1111-1829-01	Dragstång	Rod			
45	1	1	1111-1842-01	Fjäder	Spring			
46	1	1	1111-1844-01	Fäste	Holder			
47	1	1	9943-0510-16	Skruv	Screw			
48	2	2	9675-0012-02	Starlock	Locking washer			
49	1	1	1111-3082-01	Framaxel	Front axle			
50	2	2	1111-1504-01	Överfall	Retainer			
51	2	2	9943-0612-16	Skruv	Screw			
52	4	4	1111-0466-00	Kullagertätning	Seal grease			
53	4	4	1111-3060-01	Fjäder	Spring			
54	4	4	1111-0817-04	Hjul utan lager	Wheel w/o bearing			
55	8	8	9549-0015-00	Kullager	Ball bearing			
56	4	4	9699-0100-02	Bricka	Washer			
57	4	4	9943-0612-16	Skruv	Screw			
58	4	4	1111-1506-01	Navkapsel	Hub cap			

X