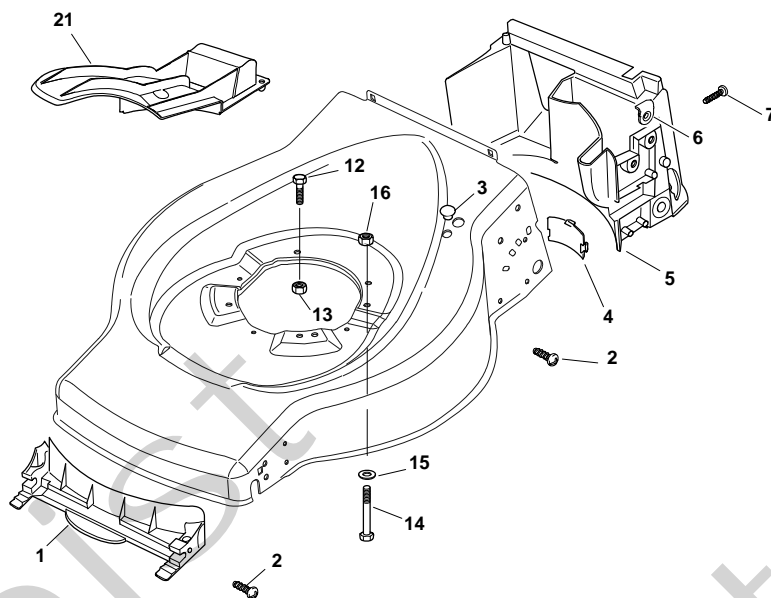


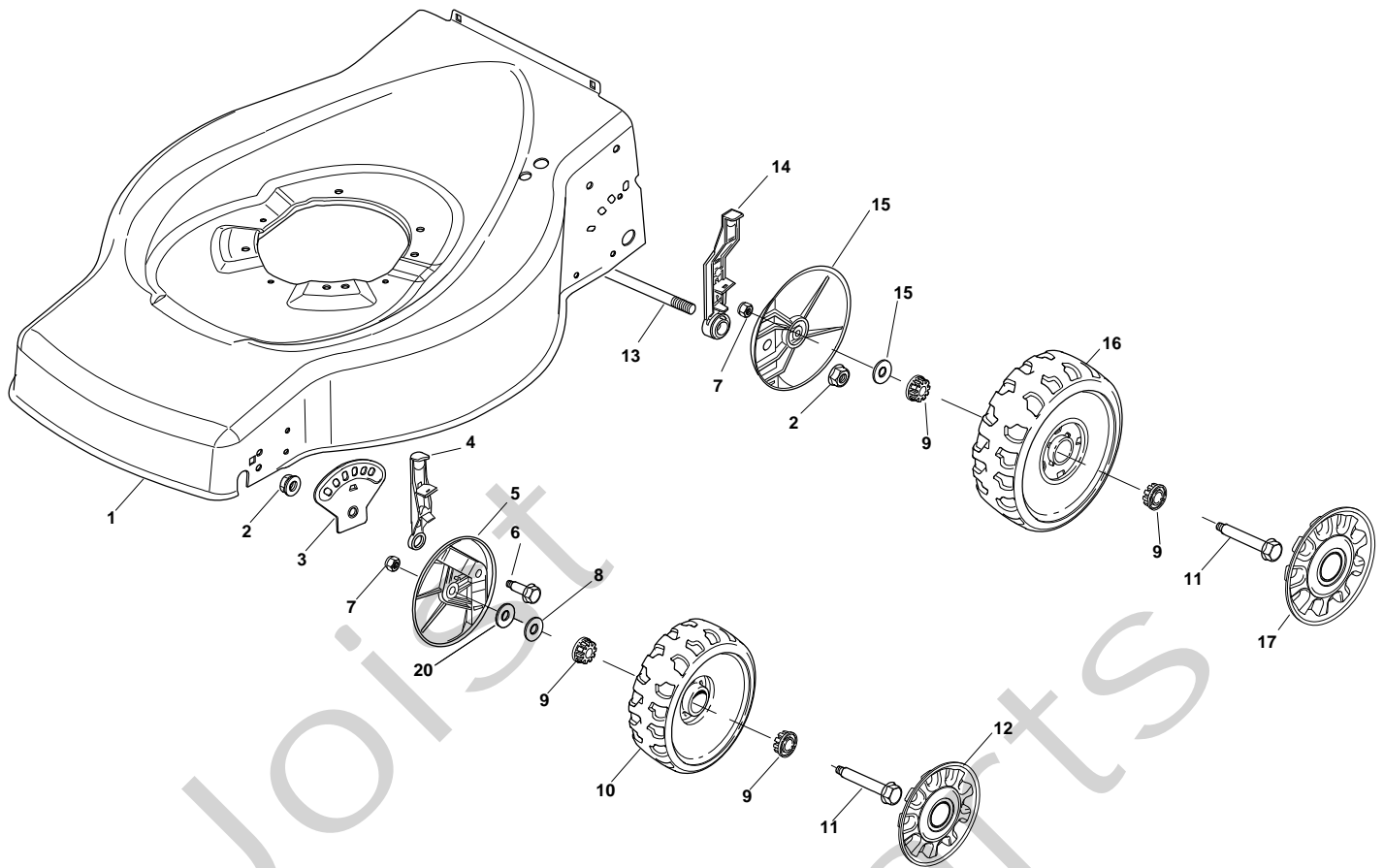
Genuine Spare Parts

COMBI 46

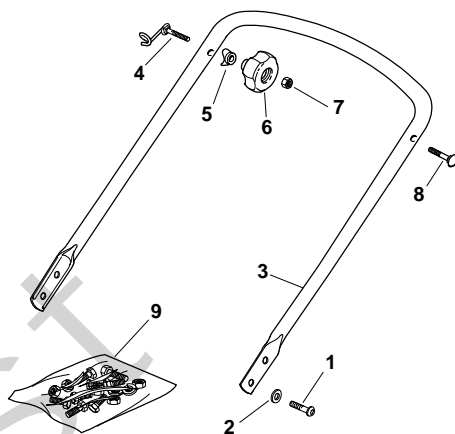




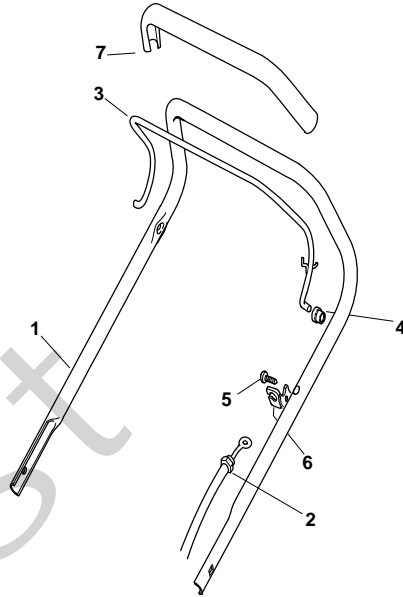
Pos. Fig.	Antal Quantity	Art No Part No	Benämning	Description	Anmärkning Notes
1	1	22108271/0	Ledplåt-främre	Front Conveyor Assy	
1	1	22108271/0	Ledplåt-främre	Front Conveyor Assy	464 - 534
2	6	12728686/0	Skruv	Screw	
3	1	322820077/0	Plugg	Cap	464 - 534
3	1	322820077/0	Plugg	Cap	
4	1	22109532/0	Lock	Cover	
4	1	22109532/0	Lock	Cover	464 - 534
5	1	22108272/2	Ledplåt-bakre	Rear Conveyor Assy	
5	1	22108272/2	Ledplåt-bakre	Rear Conveyor Assy	464 - 534
6	4	322545189/0	Plåt	Plate	
7	2	12728686/0	Skruv	Screw	
12	3	12793701/0	Skruv	Screw	
13	3	12293201/0	Mutter	Nut	
14	1	12691800/0	Skruv	Screw	
15	1	12521350/0	Bricka	Washer	
16	1	12155000/0	Mutter	Nut	
21	1	22140226/0	Mulchplugg	Deflector	
21	1	22140226/0	Mulchplugg	Deflector	464

COMBI 46 - Model Year 2009


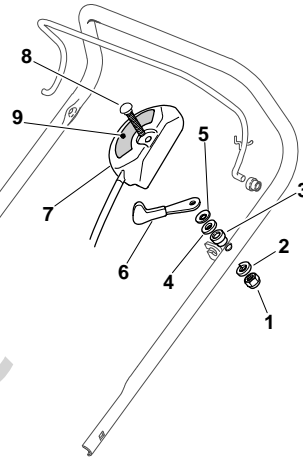
Pos. Fig.	Antal Quantity	Art No Part No	Benämning	Description	Anmärkning Notes
1	1	81002542/0	Chassi	Deck Yellow	
1	1	81002542/0	Chassi	Deck Yellow	464
2	4	22131750/0	Mutter	Nut	
3	2	22735557/0	Höjdinst.sektor	Sector, Height Adjustment	464
3	2	22735557/0	Höjdinst.sektor	Sector, Height Adjustment	
4	2	81003306/0	Inställningsspak	Lever, Height Adjustment	
5	2	322600170/0	Hjulskydd	Protection, Wheel	
6	2	22524324/0	Ansatsbult	Pin	
7	4	12155000/0	Mutter	Nut	
8	4	25670011/0	Bricka	Washer	
9	8	22034508/0	Bussning	Bush	
10	2	22686091/1	Hjul	Wheel	
11	4	22524341/0	Hjulbult	Pin	
12	2	322110593/0	Navkapsel	Hub Cap	
13	1	22033364/0	Hjulaxel	Axle, Rear Wheels	
14	2	81003307/0	Höjdinst.spak	Lever, Height Adjustment	
15	2	22600098/0	Hjulskydd	Protection	
16	2	22686092/0	Hjul	Wheel	
17	2	322110594/0	Navkapsel	Hub Cap	
20	2	12530150/0	Bricka	Washer	



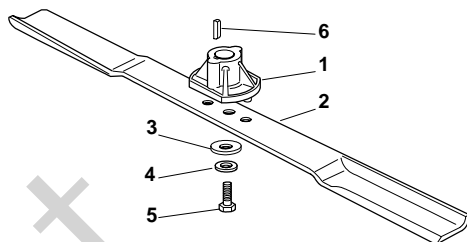
Pos. Fig.	Antal Quantity	Art No Part No	Benämning	Description	Anmärkning Notes
1	4	12760605/0	Skruv	Screw	
2	4	12521350/0	Bricka	Washer	
3	1	81006570/0	Styre-underdel	Handle, Lower Part	
3	1	81006570/0	Styre-underdel	Handle, Lower Part	464
4	1	81003801/1	Snörhållare	Guide Spring	
5	2	22680006/1	Bricka	Washer	
6	2	322399804/1	Knopp	Knob	
7	2	12293200/0	Mutter	Nut	
8	1	12819201/0	Skruv	Screw	
9	1	81008648/1	Skruvsats	Outfit, Screws	



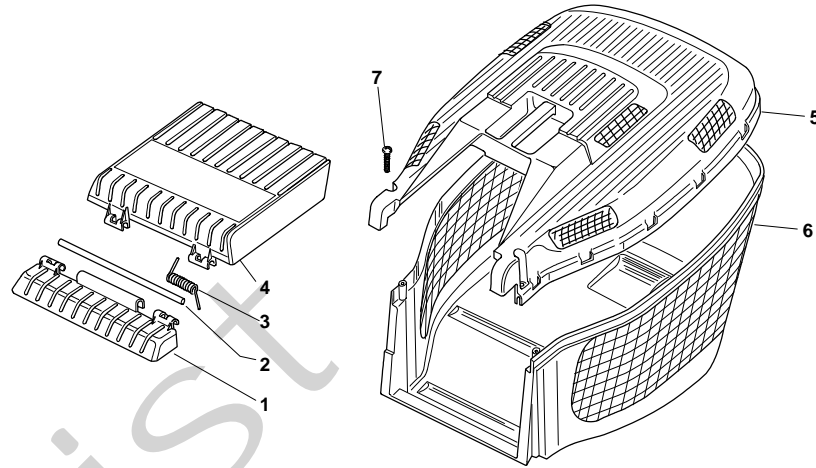
Pos. Fig.	Antal Quantity	Art No Part No	Benämning	Description	Anmärkning Notes
1	1	81007018/1	Styre-överdel	Handle, Upper Part	
2	1	81000616/1	Motorbromswire	Cable, Thread Engine Brake	464 (Honda Gcv 135-160)
2	1	81000616/1	Motorbromswire	Cable, Thread Engine Brake	464 (Ggp 160cc)
2	1	81000616/1	Motorbromswire	Cable, Thread Engine Brake	464 (Ggp 140cc)
2	1	81000616/1	Motorbromswire	Cable, Thread Engine Brake	464 (B&S 450-500 Series)
2	1	81000616/1	Motorbromswire	Cable, Thread Engine Brake	
2	1	81000616/1	Motorbromswire	Cable, Thread Engine Brake	464 (B&S 625-675 Series)
2	1	81000622/2	Motorbromswire	Cable, Thread Engine Brake	464 (Ggp 150cc)
2	1	81000622/2	Motorbromswire	Cable, Thread Engine Brake	
3	1	81003291/3	Reglagebygel	Lever, Engine Brake	
4	2	22041966/0	Bussning	Bush	
5	1	12728518/0	Skruv	Screw	
6	1	22806612/0	Fäste	Support	
7	1	22291050/0	Handtag	Handgrip Black	



Pos. Fig.	Antal Quantity	Art No Part No	Benämning	Description	Anmärkning Notes
1	1	12291000/0	Mutter	Nut	
2	1	12581500/0	Låsbricka	Grower	
3	1	22171005/0	Distans	Spacer	
4	1	12521360/0	Bricka	Washer	
5	1	12508100/0	Låsbricka	Washer	
6	1	81007220/0	Gasarm	Lever, Throttle	(B&S 450-500 Series - Ggp 150 cc)
6	1	81007220/0	Gasarm	Lever, Throttle	
6	1	81007279/1	Gasarm	Lever, Throttle	
6	1	81007279/1	Gasarm	Lever, Throttle	(B&S 625-675-700 Series - Honda - Ggp 140-160-196 cc)
7	1	81007080/0	Gaswire	Cable, Trottle	
8	1	12815000/0	Skruv	Screw	
9	1	114356905/0	Dekal	Label	(B&S 700 series DOV)
9	1	114356905/0	Dekal	Label	
9	1	114356905/0	Dekal	Label	(Honda GCV 160-190 Autochoke)
9	1	114364264/0	Dekal	Label	AVS (GGP 160-196)
9	1	114364264/0	Dekal	Label	
9	1	14356702/0	Dekal	Label	(GGP)
9	1	14356702/0	Dekal	Label	(Honda)
9	1	14356702/0	Dekal	Label	
9	1	14356703/0	Dekal	Label	(B&S)
9	1	14356703/0	Dekal	Label	



Pos. Fig.	Antal Quantity	Art No Part No	Benämning	Description	Anmärkning Notes
1	1	22463012/2	Nav	Hub	
2	1	81004365/3	Kniv	Blade Standard	
2	1	81004365/3	Kniv	Blade Standard	464
3	1	22160400/0	Bricka	Elastic Washer	
4	1	12523080/0	Bricka	Washer	
5	1	12735698/0	Skruv	Screw	
6	1	12139100/0	Kil	Key	



Pos. Fig.	Antal Quantity	Art No Part No	Benämning	Description	Anmärkning Notes
1	1	22785136/1	Fäste	Support	
2	1	22517858/0	Axel	Pin	
3	1	22450431/0	Fjäder	Spring	
4	1	322600099/1	Lucka	Stone-Guard	
5	1	22486122/0	Uppsamlare-överdel	Grassbox Upper Part	
6	1	22486128/0	Uppsamlare-underdel	Grassbox Lower Part	
7	2	12728686/0	Skruv	Screw	