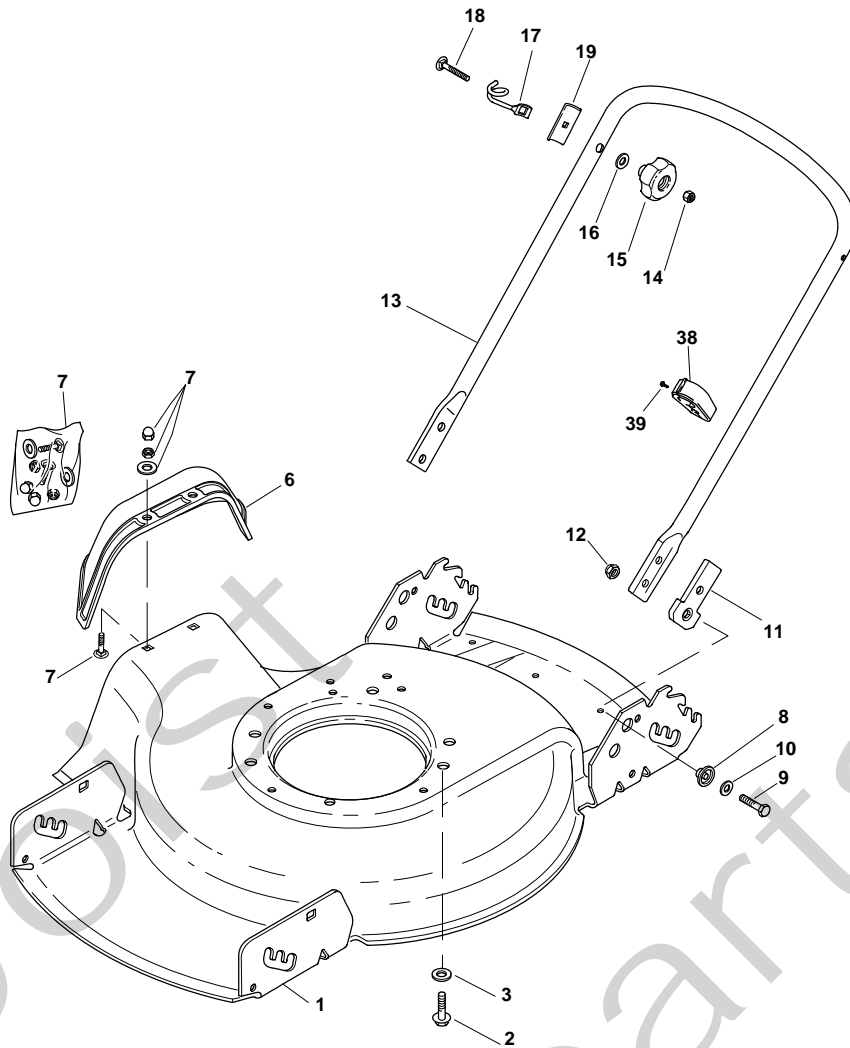


# **Genuine Spare Parts**

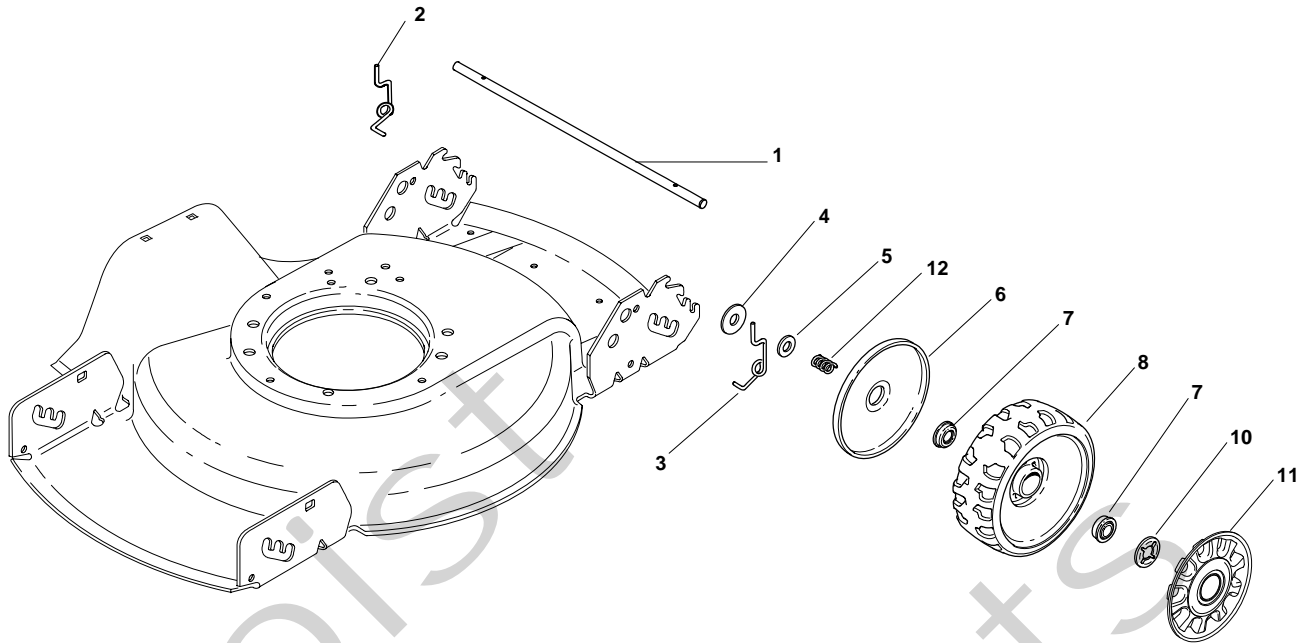
---

**DINO 47 B**

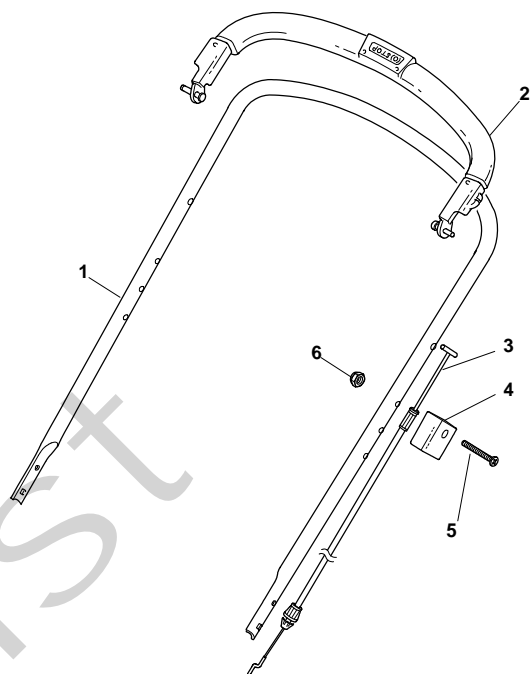




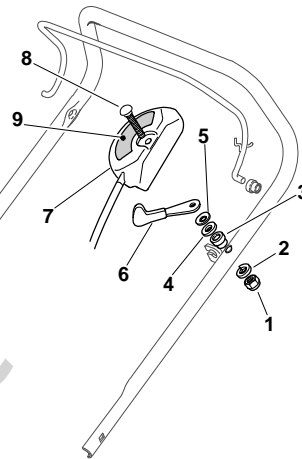
Pos. Fig.	Antal Quantity	Art No Part No	Benämning	Description	Anmärkning Notes
1	1	81002984/0	Chassi	Deck Yellow	
2	3	112735108/1	Skruv	Screw	
3	3	12521355/0	Bricka	Washer	
6	1	22600159/0	Utkastskydd	Protection	
7	1	81008502/0	Skrusats	Outfit, Screws	
8	4	22041958/0	Isoleringshylsa	Isolation Compass	
9	4	12793701/0	Skruv	Screw	
10	4	22671651/0	Bricka	Washer	
11	2	22551577/0	Isoleringsplatta	Plate	
12	4	12155000/0	Mutter	Nut	
13	1	81006639/0	Styre-underdel	Handle, Lower Part	
14	2	12361005/0	Mutter	Nut	
15	2	22399810/0	Låsratt	Knob	
16	2	12521350/0	Bricka	Washer	
17	1	22430311/0	Ögla	Guide Spring	
18	2	12820655/0	Skruv	Screw	
19	2	22545137/0	Förstärkning	Plate For Handle Fastening	
38	1	22192001/0	Kabelhållare	Anchor Clamp	
39	1	12728691/0	Skruv	Screw	



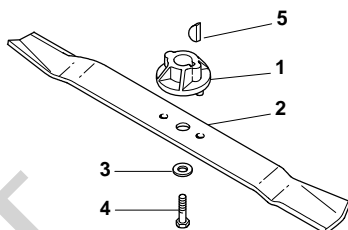
Pos. Fig.	Antal Quantity	Art No Part No	Benämning	Description	Anmärkning Notes
1	2	22033395/0	Axel	Axle	
2	2	22450442/0	Fjäder-hö	R Spring	
3	2	22450441/0	Fjäder-vä	L Spring	
4	4	22671654/0	Bricka	Washer	
5	4	22671659/0	Bricka	Washer	
6	4	22600095/0	Hjulskydd	Protection	
7	8	22122200/0	Kullager	Bearing	
8	4	22686091/1	Hjul	Wheel	
10	4	22020050/0	Låsbricka	Elastic Washer	
11	4	322110593/0	Navkapsel	Hub Cap	
12	4	22430215/0	Fjäder	Spring	



Pos. Fig.	Antal Quantity	Art No Part No	Benämning	Description	Anmärkning Notes
1	1	81006618/1	Styre-överdel	Handle, Upper Part	
2	1	81003298/1	Reglagebygel	Lever, Engine Brake	
3	1	81000685/0	Motorbromswire	Cable, Thread Motor Brake	
4	1	22551640/0	Wirefäste	Plate	
5	1	12727783/0	Skruv	Screw	
6	1	12154510/0	Mutter	Nut	



Pos. Fig.	Antal Quantity	Art No Part No	Benämning	Description	Anmärkning Notes
1	1	12291000/0	Mutter	Nut	
2	1	12581500/0	Låsbricka	Grower	
3	1	22171005/0	Distans	Spacer	
4	1	12521360/0	Bricka	Washer	
5	1	12508100/0	Låsbricka	Washer	
6	1	81007220/0	Gasarm	Lever, Throttle	(B&S 450-500 Series - Ggp 150 cc)
6	1	81007220/0	Gasarm	Lever, Throttle	
6	1	81007279/1	Gasarm	Lever, Throttle	
6	1	81007279/1	Gasarm	Lever, Throttle	(B&S 625-675-700 Series - Honda - Ggp 140-160-196 cc)
7	1	81007080/0	Gaswire	Cable, Trottle	
8	1	12815000/0	Skruv	Screw	
9	1	114356905/0	Dekal	Label	(B&S 700 series DOV)
9	1	114356905/0	Dekal	Label	
9	1	114356905/0	Dekal	Label	(Honda GCV 160-190 Autochoke)
9	1	114364264/0	Dekal	Label	AVS (GGP 160-196)
9	1	114364264/0	Dekal	Label	
9	1	14356702/0	Dekal	Label	(GGP)
9	1	14356702/0	Dekal	Label	(Honda)
9	1	14356702/0	Dekal	Label	
9	1	14356703/0	Dekal	Label	(B&S)
9	1	14356703/0	Dekal	Label	



Pos. Fig.	Antal Quantity	Art No Part No	Benämning	Description	Anmärkning Notes
1	1	22465617/0	Nav	Hub	
2	1	81004124/1	Kniv	Blade Standard	
3	1	12530140/0	Bricka	Washer	
4	1	12735694/0	Skruv	Screw	
5	1	12139100/0	Kil	Key	