

Genuine Spare Parts

www.stiga.com

MULTICLIP 50 Model Year 2011

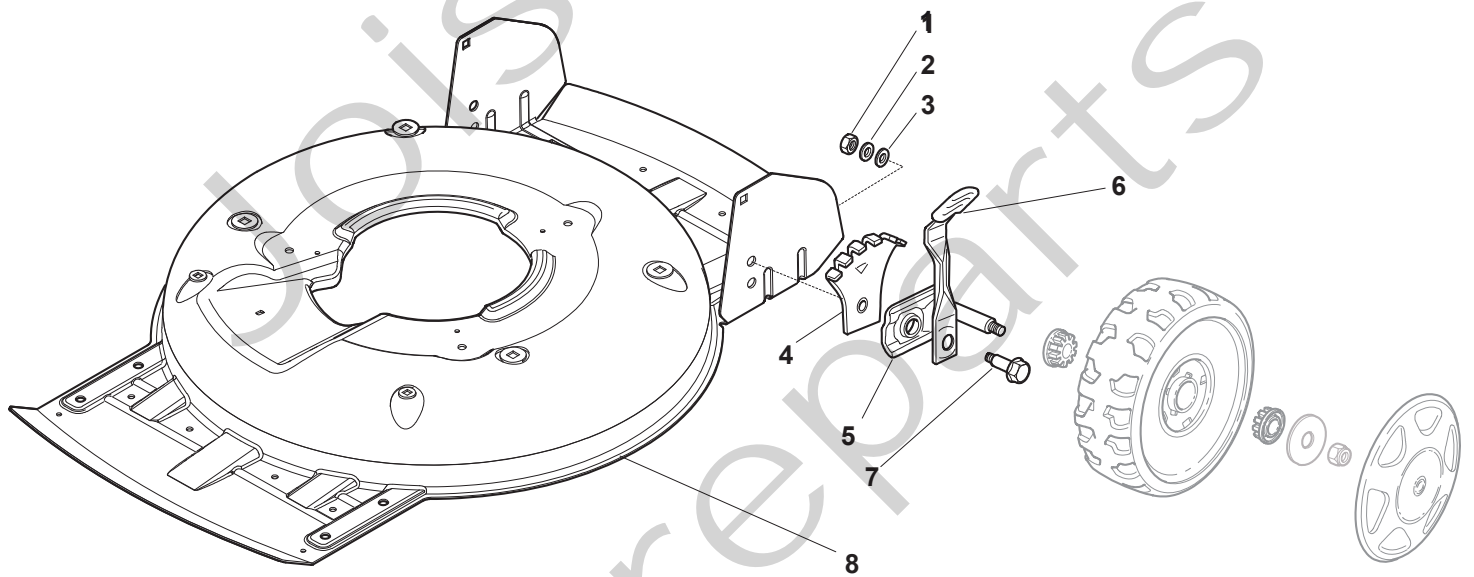
- Use GLOBAL GARDEN PRODUCT Genuine Spare Parts specified in the parts list for repair and/or replacement.
- The contents described in the parts list may change due to improvement.
- The drawings of the spare parts are only indicative and might not represent the part in question exactly.
- The indications "right" - "left" - "front" - "rear" refer to the position of the operator when using the machine.
- When placing orders of parts for repair and/or replacement, make sure that the illustrated parts list is the one applying to the machine's year of manufacture, as shown on the identification plate attached to the machine.

COPYRIGHT by GLOBAL GARDEN PRODUCTS

All rights reserved. No part of this material may be reproduced or transmitted, in any form or by any means, electronic or mechanical, including photocopying, recording or by any information storage and retrieval system, without permission in writing from GLOBAL GARDEN PRODUCTS.



MULTICLIP 50

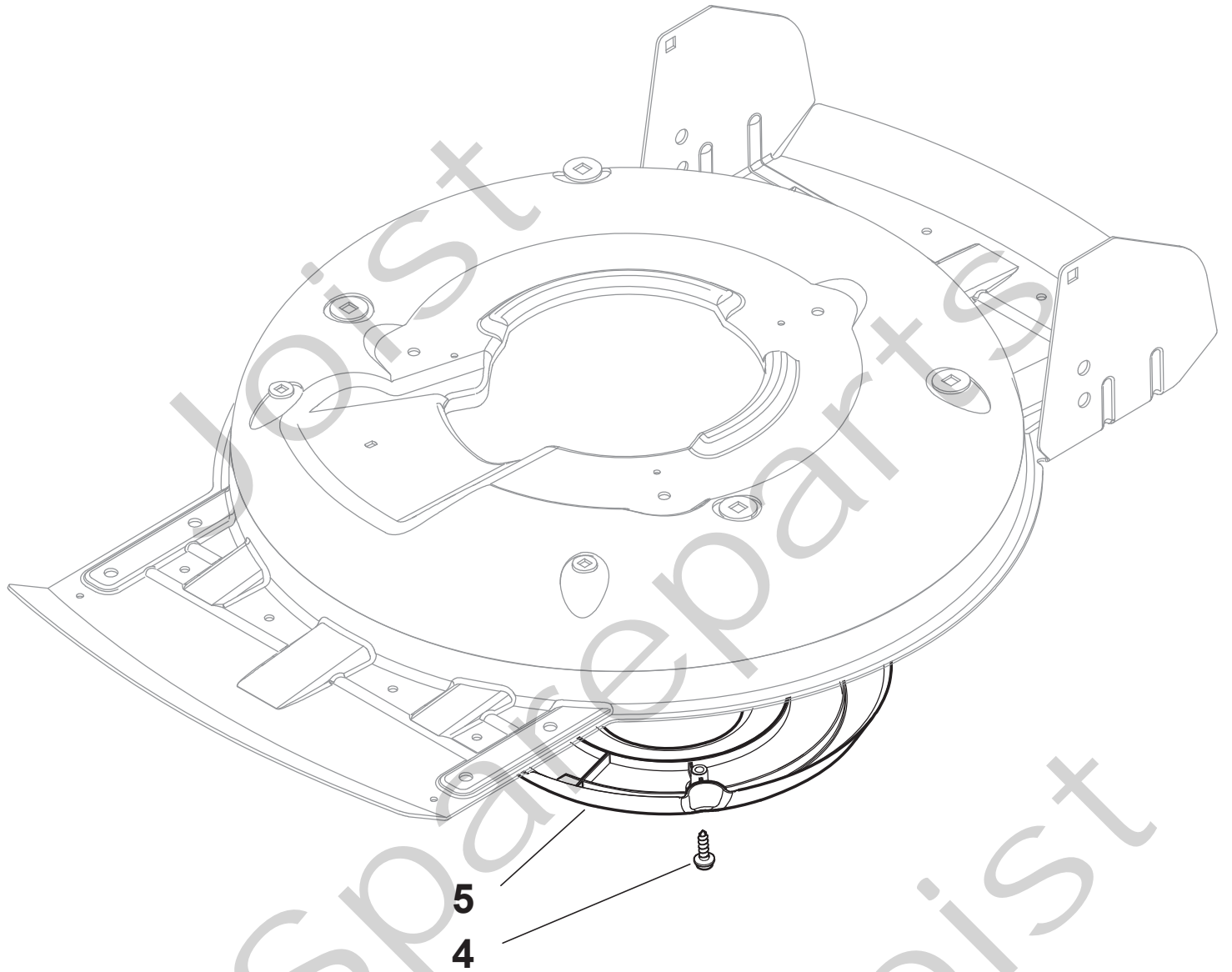




MULTICLIP 50

| Pos. Fig. | Antal Quantity | Art No Part No | Benämning | Description | Anmärkning Notes |
|-----------|----------------|----------------|----------------------|---------------------------|------------------|
| 1 | 4 | 12293200/0 | Mutter | Nut | |
| 2 | 4 | 12583500/0 | Bricka | Grower | |
| 3 | 4 | 12523070/0 | Bricka | Washer | |
| 4 | 4 | 22735547/0 | Höjdinställn.sektor | Sector, Height Adjustment | |
| 5 | 4 | 81005082/0 | Hjulfäste | Support, Wheel | |
| 6 | 4 | 81003286/0 | Höjdinställningsspak | Lever, Height Adjustment | |
| 7 | 4 | 22519811/0 | Stift | Pin | |
| 8 | 1 | 81002907/1 | Chassi-gul | Deck Yellow | |

MULTICLIP 50

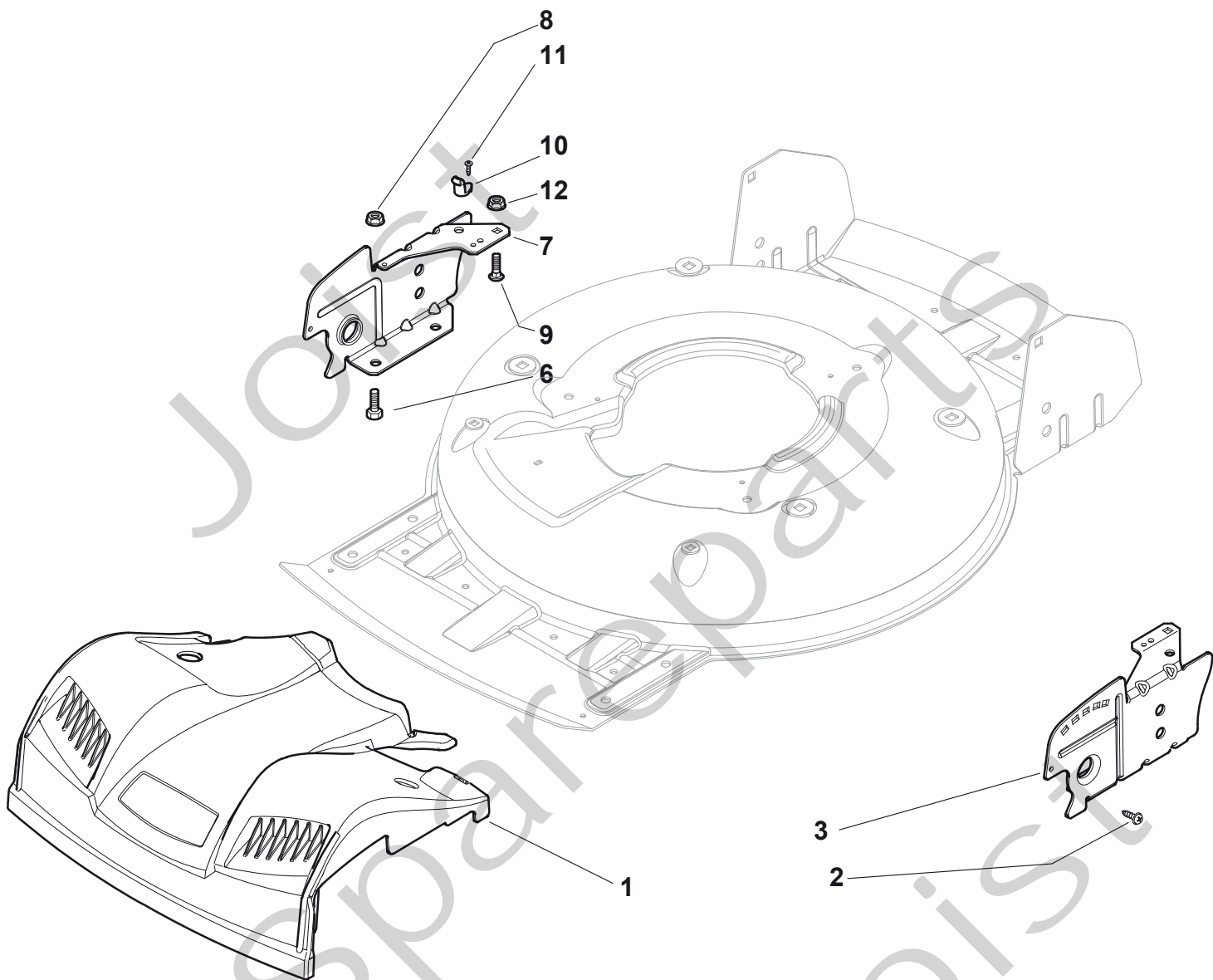




MULTICLIP 50

| Pos. Fig. | Antal Quantity | Art No Part No | Benämning | Description | Anmärkning Notes |
|-----------|----------------|----------------|-----------|-------------|------------------|
| 4 | 3 | 12728530/0 | Skruv | Screw | |
| 5 | 1 | 22060220/0 | Remskydd | Protection | |

MULTICLIP 50

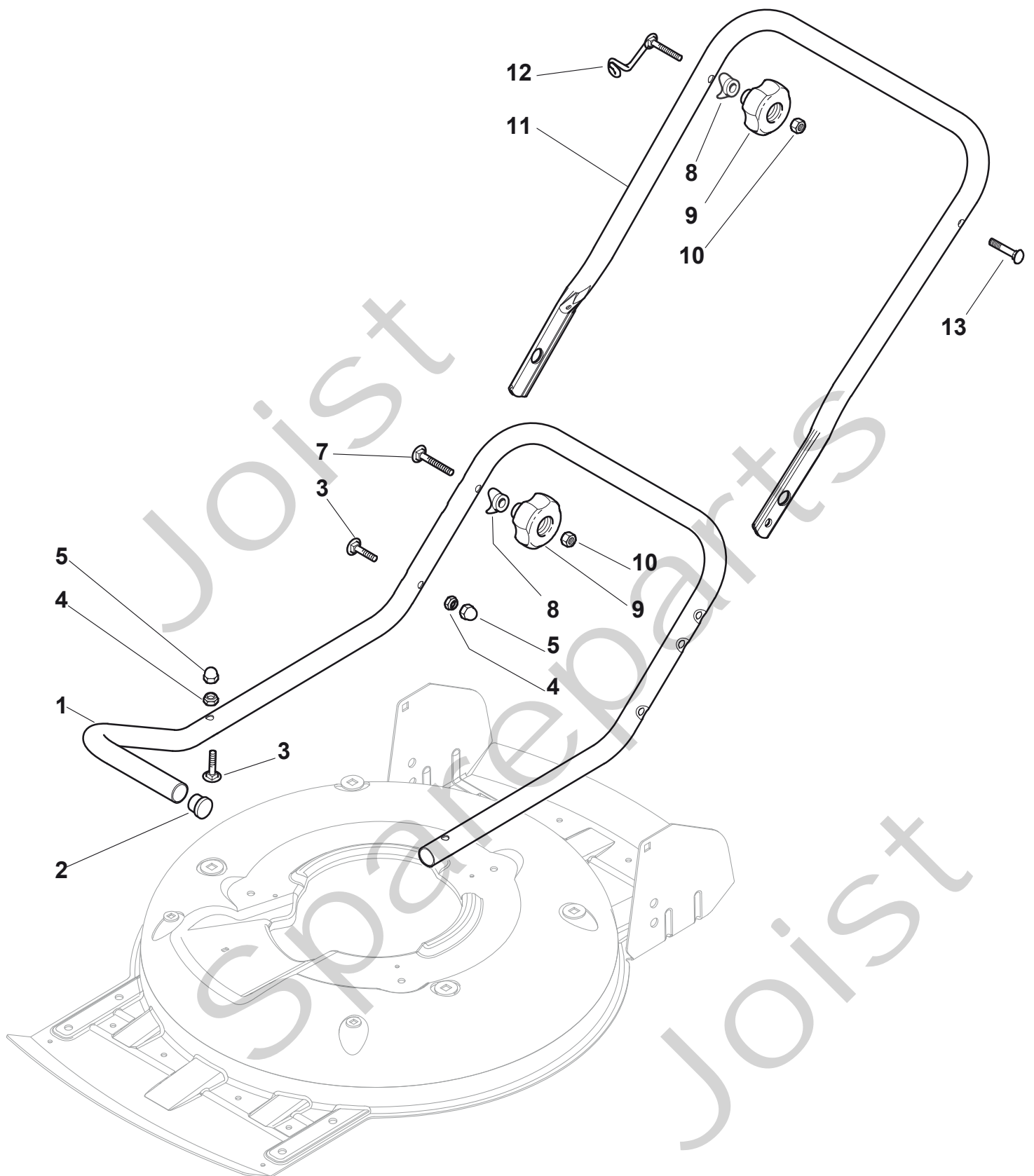




MULTICLIP 50

| Pos. Fig. | Antal Quantity | Art No Part No | Benämning | Description | Anmärkning Notes |
|-----------|----------------|----------------|-----------------|-------------|------------------|
| 1 | 1 | 322226133/0 | Frontkåpa-svart | Mask, Black | |
| 2 | 2 | 12728523/0 | Skruv | Screw | |
| 3 | 1 | 22778421/0 | Fäste-vä | Bracket, L | |
| 6 | 4 | 12792611/0 | Skruv | Screw | |
| 7 | 1 | 22778419/0 | Fäste-hö | Bracket, R | |
| 8 | 4 | 12293201/0 | Mutter | Nut | |
| 9 | 2 | 12815200/0 | Skruv | Screw | |
| 10 | 2 | 22020400/0 | Hållare | Fairlead | |
| 11 | 2 | 12728523/0 | Skruv | Screw | |
| 12 | 2 | 12292102/0 | Mutter (Hydro) | Nut (Hydro) | |

MULTICLIP 50

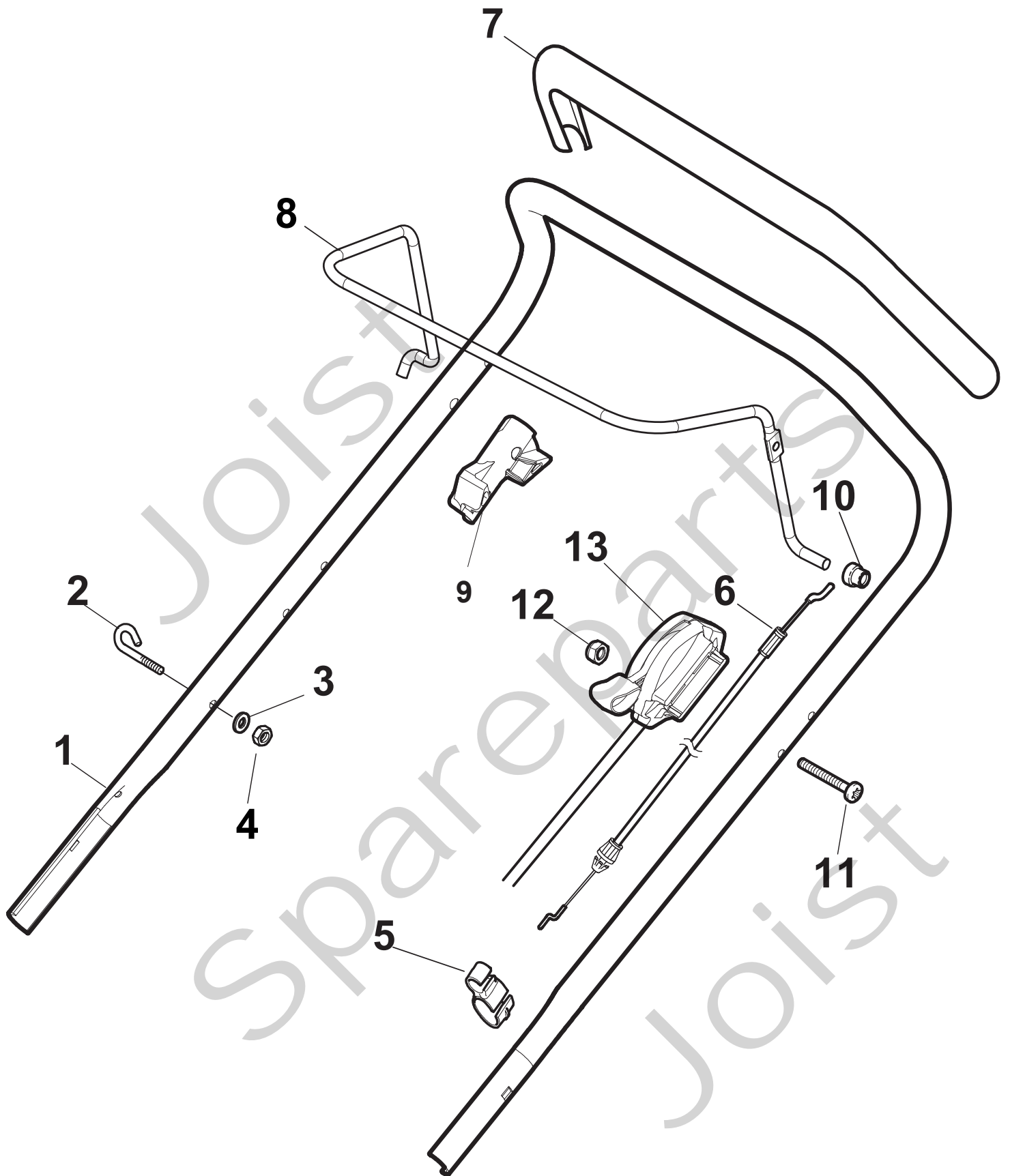




MULTICLIP 50

| Pos. Fig. | Antal Quantity | Art No Part No | Benämning | Description | Anmärkning Notes |
|-----------|----------------|----------------|-----------------|---------------------|------------------|
| 1 | 1 | 81006667/0 | Styre-underdel | Handle, Lower Part | |
| 2 | 2 | 18566110/0 | Skydd-grå | Cap | |
| 3 | 4 | 12818900/0 | Skruv | Screw | |
| 4 | 4 | 12155000/0 | Mutter | Nut | |
| 5 | 4 | 18203854/0 | Tätningshylsa | Protection | |
| 6 | 4 | 12818900/0 | Skruv | Screw | |
| 7 | 2 | 12819201/0 | Skruv | Screw | |
| 8 | 4 | 22680006/1 | Bricka | Washer | |
| 9 | 4 | 322399804/1 | Knopp | Knob | |
| 10 | 4 | 12293200/0 | Mutter | Nut | |
| 11 | 1 | 81006668/0 | Styre-mellandel | Handle, Middle Part | |
| 12 | 1 | 81003801/1 | Fjäder | Guide Spring | |
| 13 | 1 | 12819201/0 | Skruv | Screw | |

MULTICLIP 50

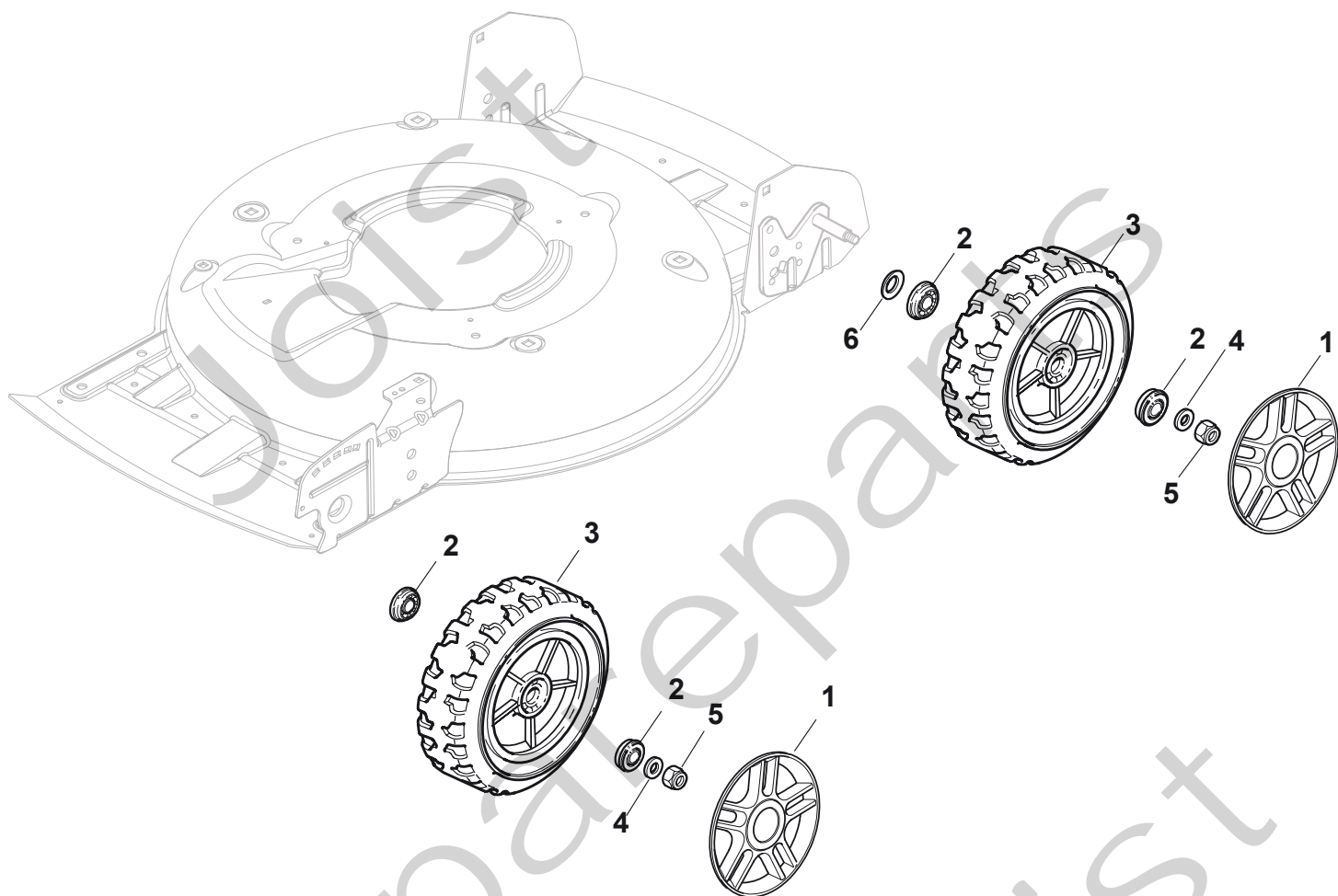




MULTICLIP 50

| Pos. Fig. | Antal Quantity | Art No Part No | Benämning | Description | Anmärkning Notes |
|-----------|----------------|----------------|----------------|--------------------------|------------------|
| 1 | 1 | 381006887/0 | Styre-överdel | Handle, Upper Part | |
| 2 | 1 | 22430313/0 | Fjäder | Guide Spring | |
| 3 | 1 | 12521330/0 | Bricka | Washer | |
| 4 | 1 | 12154510/0 | Mutter | Nut | |
| 5 | 1 | 118390020/0 | Startkabel | Fairlead | |
| 6 | 1 | 181030056/0 | Motorbromswire | Cable, Thread Eng. Brake | |
| 7 | 1 | 22291050/0 | Hylsa | Handgrip Black | |
| 8 | 1 | 181003364/0 | Reglagebygel | Lever, Driving | |
| 9 | 1 | 322545204/0 | Vridpunkt | Fulcrum Pin | |
| 10 | 2 | 22041966/0 | Bussning | Bush | |
| 11 | 1 | 12727783/0 | Skruv | Screw | |
| 12 | 1 | 12154510/0 | Mutter | Nut | |
| 13 | 1 | 181005517/0 | Gaswire | Throttle Cable | |

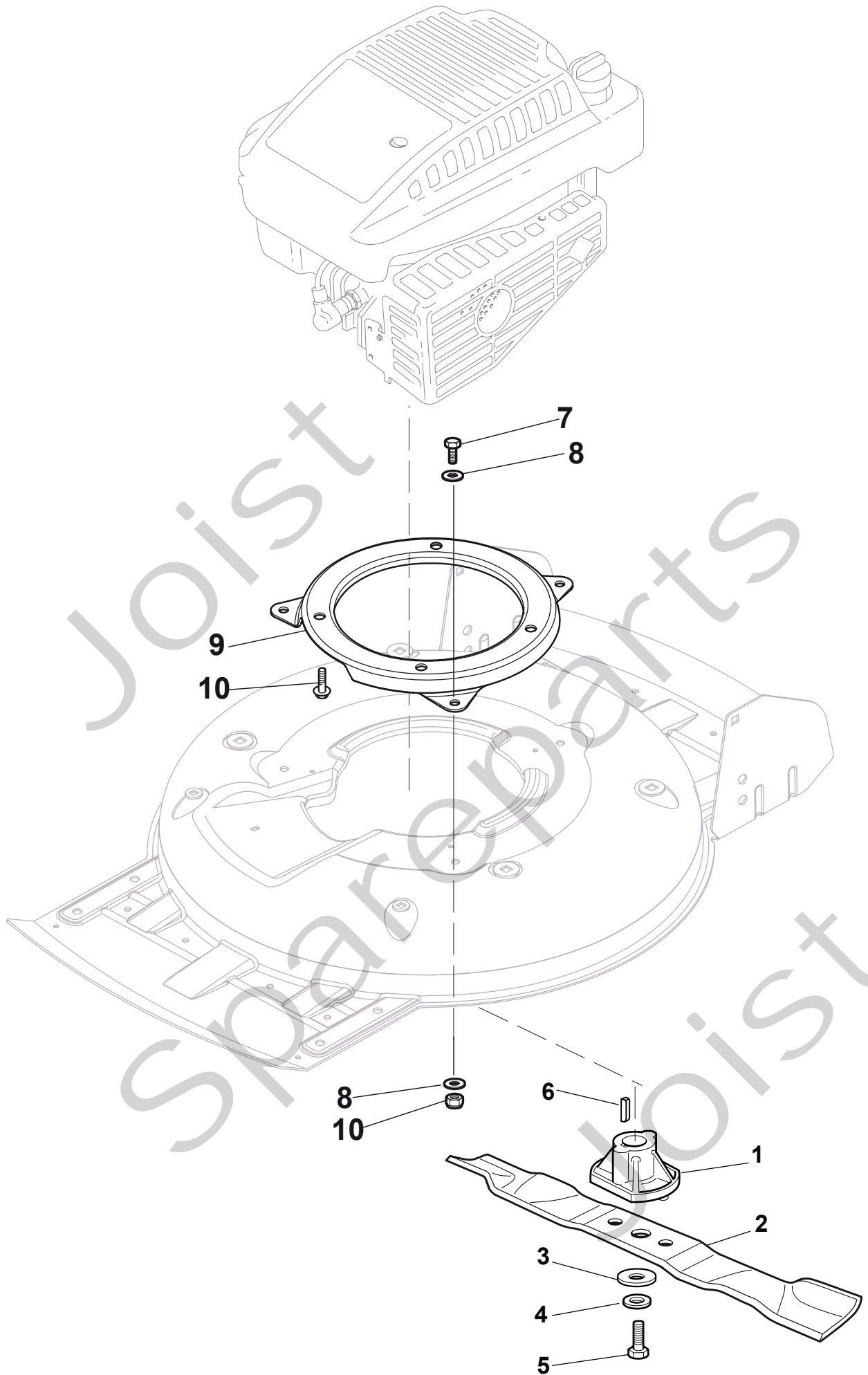
MULTICLIP 50





MULTICLIP 50

| Pos. Fig. | Antal Quantity | Art No Part No | Benämning | Description | Anmärkning Notes |
|-----------|----------------|----------------|---------------|----------------|------------------|
| 1 | 4 | 22110492/0 | Navkapsel-grå | Hub Cap Grey | |
| 2 | 8 | 22122200/0 | Panel | Bearing | |
| 3 | 4 | 381007390/1 | Hjul Ø 210 | Wheel Ø 210 | |
| 4 | 4 | 12521350/0 | Bricka | Washer | |
| 5 | 4 | 12155000/0 | Mutter | Nut | |
| 6 | 2 | 12530150/0 | Bricka | Elastic Washer | |

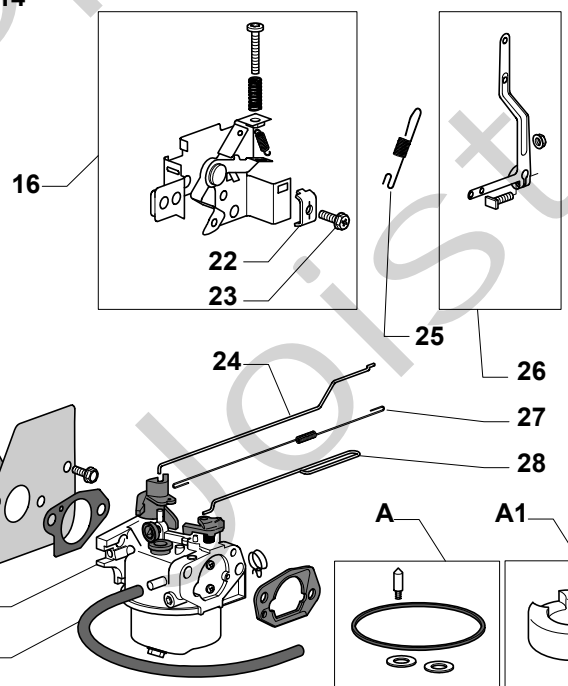
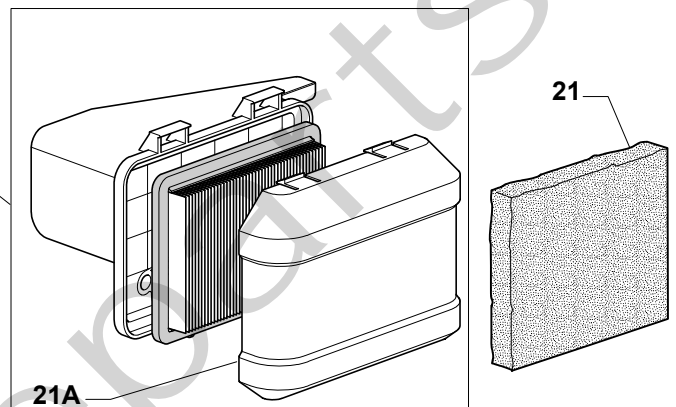
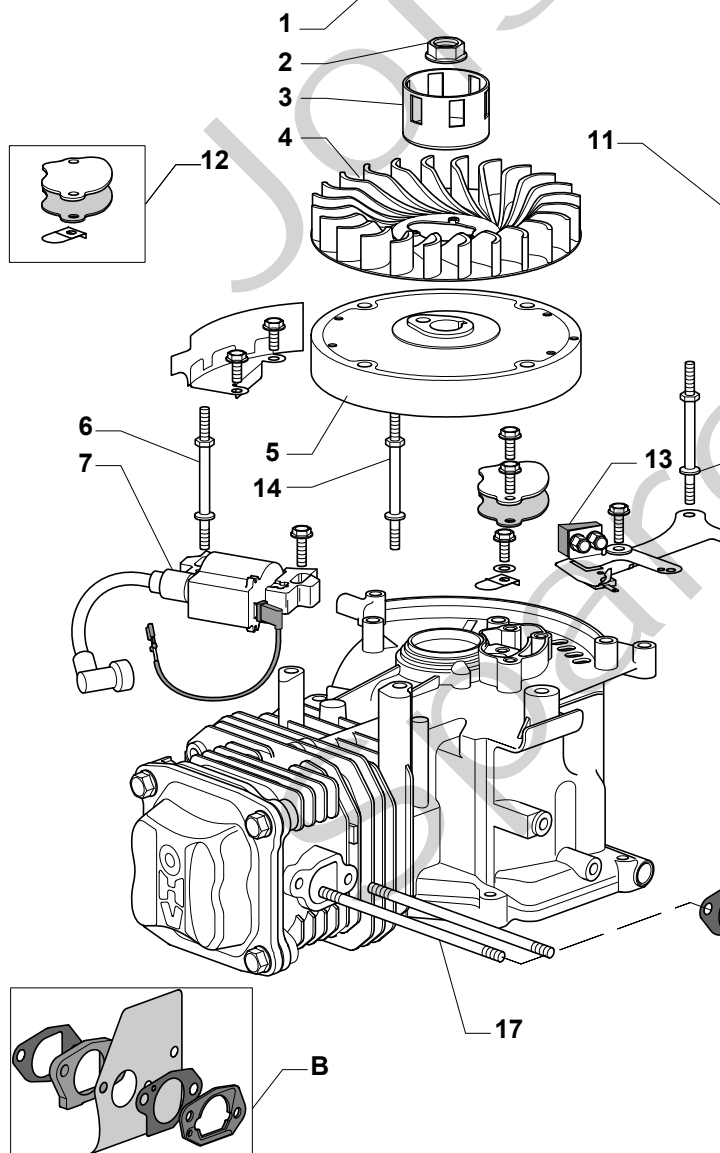
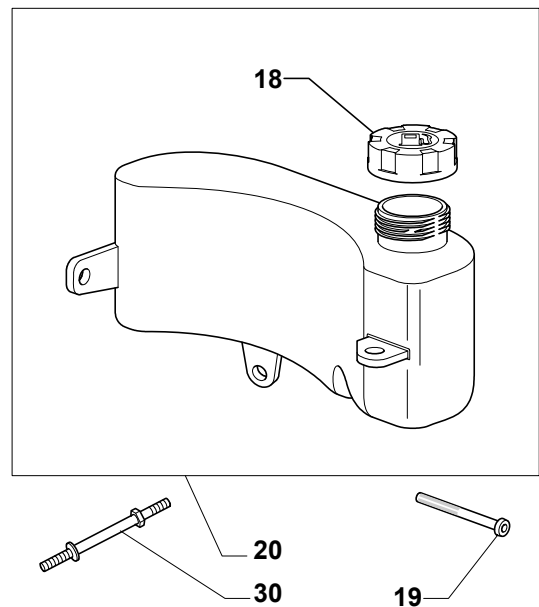
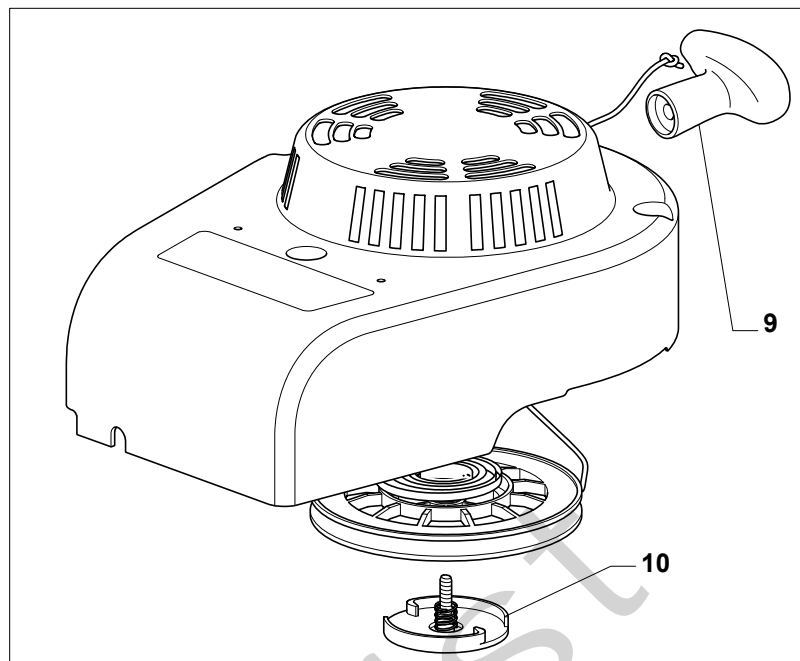




MULTICLIP 50

| Pos. Fig. | Antal Quantity | Art No Part No | Benämning | Description | Anmärkning Notes |
|-----------|----------------|----------------|------------------|----------------------------|------------------|
| 1 | 1 | 22463012/2 | Knivfäste Ø 22.2 | Hub, Crankshaft Ø 22.2 | |
| 2 | 1 | 81004146/0 | Kniv | Blade Standard | |
| 3 | 1 | 22160400/0 | Dammskydd | Dust Cover | |
| 4 | 1 | 12523080/0 | Bricka | Washer | |
| 5 | 1 | 12735698/0 | Skruv | Screw | |
| 6 | 1 | 12139100/0 | Låsring | Feather, Crankshaft Ø 22.2 | |
| 7 | 3 | 12792611/0 | Skruv | Screw | |
| 8 | 6 | 12523060/0 | Bricka | Washer (Mech.) | |
| 9 | 1 | 322207219/1 | Fläns | Flange | |
| 10 | 3 | 12293201/0 | Mutter | Nut | |
| 11 | 3 | 112735108/1 | Skruv | Screw | |

MULTICLIP 50

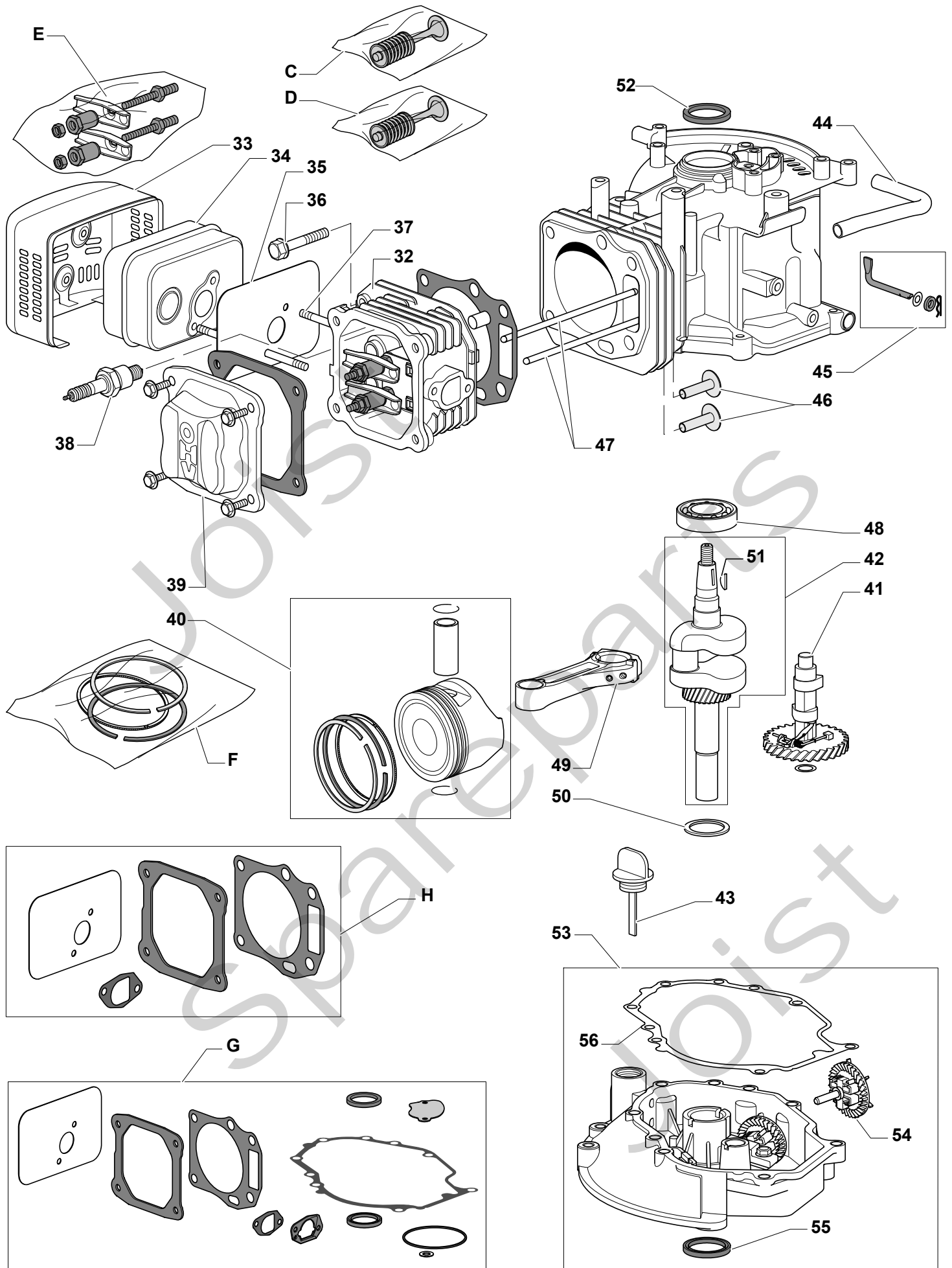




MULTICLIP 50

| Pos. Fig. | Antal Quantity | Art No Part No | Benämning | Description | Anmärkning Notes |
|-----------|----------------|----------------|-----------------|---------------------------------|------------------|
| B | 1 | 118550248/0 | Packning | Gasket Carburettor Assy | |
| A | 1 | 118550389/0 | | Kit Repair, Carburettor | |
| 1 | 1 | 118550276/0 | Start kpl | Starter Assy | |
| A1 | 1 | 118550388/0 | | Kit Repair, Carburettor | |
| 2 | 1 | 118550336/0 | Mutter | Nut | |
| 3 | 1 | 118550335/0 | | Starter Cup | |
| 4 | 1 | 118550254/0 | Fläkt | Flywheel Fan | |
| 5 | 1 | 118550253/0 | Svänghjul | Flywheel Ass.Y | |
| 6 | 1 | 118550301/0 | Skruv | Stud Bolt | |
| 7 | 1 | 118550255/0 | Elektron kspole | Electronic Coil | |
| 9 | 1 | 118550274/0 | | Starter Handle | |
| 10 | 1 | 118550275/0 | | Starter Pawl Set | |
| 11 | 1 | 118550258/1 | Luftfilter | Air Cleaner Assy | |
| 12 | 1 | 118550378/0 | Packning | Gasket Assy | |
| 13 | 1 | 118550376/0 | | Flywheel Brake/Stop Switch Assy | |
| 14 | 2 | 118550302/0 | Skruv | Stud Bolt | |
| 15 | 1 | 118550340/0 | Bränsleslang-in | Fuel Pipe | |
| 16 | 1 | 118550259/0 | | Remote Control Assy | |
| 17 | 2 | 118550298/0 | Skruv | Stud Bolt | |
| 18 | 1 | 118550339/0 | Lock | Fuel Cap | |
| 19 | 1 | 118550314/0 | | Fuel Filter | |
| 20 | 1 | 118550316/0 | | Tank | |
| 21A | 1 | 118550396/0 | | Air Cleaner Cover | |
| 21 | 1 | 118550452/0 | Luftfilter | Air Filter | |
| 22 | 1 | 118550337/0 | | Casing Clamp | |
| 23 | 1 | 118550338/0 | Skruv | Screw | |
| 24 | 1 | 118550397/0 | Governor Link | Governor Link | |
| 25 | 1 | 118550260/0 | Fjäder | Spring | |
| 26 | 1 | 118550266/0 | | Arm Governor Assy | |
| 27 | 1 | 118550263/0 | Fjäder | Spring | |
| 28 | 1 | 118550264/0 | | Choke Control Rod | |
| 29 | 1 | 118550390/0 | Förgasare | Carburettor | |
| 30 | 1 | 118550315/0 | Skruv | Stud Bolt | |

MULTICLIP 50





MULTICLIP 50

| Pos. Fig. | Antal Quantity | Art No Part No | Benämning | Description | Anmärkning Notes |
|-----------|----------------|----------------|--------------------------|--------------------------|------------------|
| E | 1 | 118550273/0 | Valve Arm Set | Valve Arm Set | |
| C | 1 | 118550292/0 | Intake Valve Assy | Intake Valve Assy | |
| D | 1 | 118550294/0 | Exhaust Valve Assy | Exhaust Valve Assy | |
| F | 1 | 118550384/0 | Piston, Ring Set | Piston, Ring Set | |
| G | 1 | 118550403/0 | Packning | Engine Gasket Set | |
| H | 1 | 118550405/0 | Cylinder Head Gasket Set | Cylinder Head Gasket Set | |
| 32 | 1 | 118550244/0 | Cylinder Head Assy | Cylinder Head Assy | |
| 33 | 1 | 118550268/1 | Ljuddämparskydd | Muffler Guard | |
| 34 | 1 | 118550269/0 | Ljuddämpare | Muffler | |
| 35 | 1 | 118550270/0 | Ljuddämpare | Gasket, Muffler | |
| 36 | 4 | 118550297/0 | Skruv | Screw | |
| 37 | 2 | 118550298/0 | Skruv | Stud Bolt | |
| 38 | 1 | 9400-0244-00 | Tändstift | Spark Plug | |
| 39 | 1 | 118550296/1 | Cover Comp., Head | Cover Comp., Head | |
| 40 | 1 | 118550387/0 | Kolv kpl | Piston Assy | |
| 41 | 1 | 118550271/0 | Camshaft Assy | Camshaft Assy | |
| 42 | 1 | 118550385/0 | Vevaxel | Crankshaft | |
| 43 | 1 | 118550381/0 | Oljevol | Tank Cap | |
| 44 | 1 | 118550377/0 | Oljeslang | Breather Fule Pipe | |
| 45 | 1 | 118550308/0 | Vevaxel | Shaft, Governor Arm Assy | |
| 46 | 1 | 118550291/0 | Valve Lifter Assy | Valve Lifter Assy | |
| 47 | 1 | 118550289/0 | Push Rods Assy | Push Rods Assy | |
| 48 | 1 | 118550280/0 | Kullager | Bearing | |
| 49 | 1 | 118550284/0 | Connecting Rod Assy | Connecting Rod Assy | |
| 50 | 1 | 118550283/0 | Bricka | Washer | |
| 51 | 1 | 118550288/0 | Kil | Flywheel Key | |
| 52 | 1 | 118550300/0 | Tätningring | Oil Seal | |
| 53 | 1 | 118550382/0 | Vevhus | Crankcase Cover Assy | |
| 54 | 1 | 118550312/0 | Speed Governor Assy | Speed Governor Assy | |
| 55 | 1 | 118550379/0 | Tätningring | Oil Seal | |
| 56 | 1 | 118550380/0 | Packning | Crankcase Gasket | |



MULTICLIP 50

| Pos. Fig. | Antal Quantity | Art No Part No | Benämning | Description | Anmärkning Notes |
|-----------|----------------|----------------|--------------------------|--------------------------|------------------|
| E | 1 | 118550273/0 | Valve Arm Set | Valve Arm Set | |
| C | 1 | 118550292/0 | Intake Valve Assy | Intake Valve Assy | |
| D | 1 | 118550294/0 | Exhaust Valve Assy | Exhaust Valve Assy | |
| F | 1 | 118550384/0 | | Piston, Ring Set | |
| G | 1 | 118550403/0 | | Engine Gasket Set | |
| H | 1 | 118550405/0 | Cylinder Head Gasket Set | Cylinder Head Gasket Set | |
| 32 | 1 | 118550244/0 | | Cylinder Head Assy | |
| 33 | 1 | 118550268/1 | | Muffler Guard | |
| 34 | 1 | 118550269/0 | Lufffilter | Muffler | |
| 35 | 1 | 118550270/0 | Ljuddämpare | Gasket, Muffler | |
| 36 | 4 | 118550297/0 | Skruv | Screw | |
| 37 | 2 | 118550298/0 | Skruv | Stud Bolt | |
| 38 | 1 | 9400-0244-00 | | Spark Plug | |
| 39 | 1 | 118550296/1 | | Cover Comp., Head | |
| 40 | 1 | 118550387/0 | | Piston Assy | |
| 41 | 1 | 118550271/0 | | Camshaft Assy | |
| 42 | 1 | 118550385/0 | | Crankshaft | |
| 43 | 1 | 118550381/0 | | Tank Cap | |
| 44 | 1 | 118550377/0 | Oljeslang | Breather Fule Pipe | |
| 45 | 1 | 118550308/0 | | Shaft, Governor Arm Assy | |
| 46 | 1 | 118550291/0 | | Valve Lifter Assy | |
| 47 | 1 | 118550289/0 | | Push Rods Assy | |
| 48 | 1 | 118550280/0 | | Bearing | |
| 49 | 1 | 118550284/0 | | Connecting Rod Assy | |
| 50 | 1 | 118550283/0 | | Washer | |
| 51 | 1 | 118550288/0 | | Flywheel Key | |
| 52 | 1 | 118550300/0 | | Oil Seal | |
| 53 | 1 | 118550382/0 | | Crankcase Cover Assy | |
| 54 | 1 | 118550312/0 | | Speed Governor Assy | |
| 55 | 1 | 118550379/0 | | Oil Seal | |
| 56 | 1 | 118550380/0 | | Crankcase Gasket | |