

Genuine Spare Parts

www.stiga.com

COMBI 48 B Model Year 2011

- Use GLOBAL GARDEN PRODUCT Genuine Spare Parts specified in the parts list for repair and/or replacement.
- The contents described in the parts list may change due to improvement.
- The drawings of the spare parts are only indicative and might not represent the part in question exactly.
- The indications "right" - "left" - "front" - "rear" refer to the position of the operator when using the machine.
- When placing orders of parts for repair and/or replacement, make sure that the illustrated parts list is the one applying to the machine's year of manufacture, as shown on the identification plate attached to the machine.

COPYRIGHT by GLOBAL GARDEN PRODUCTS

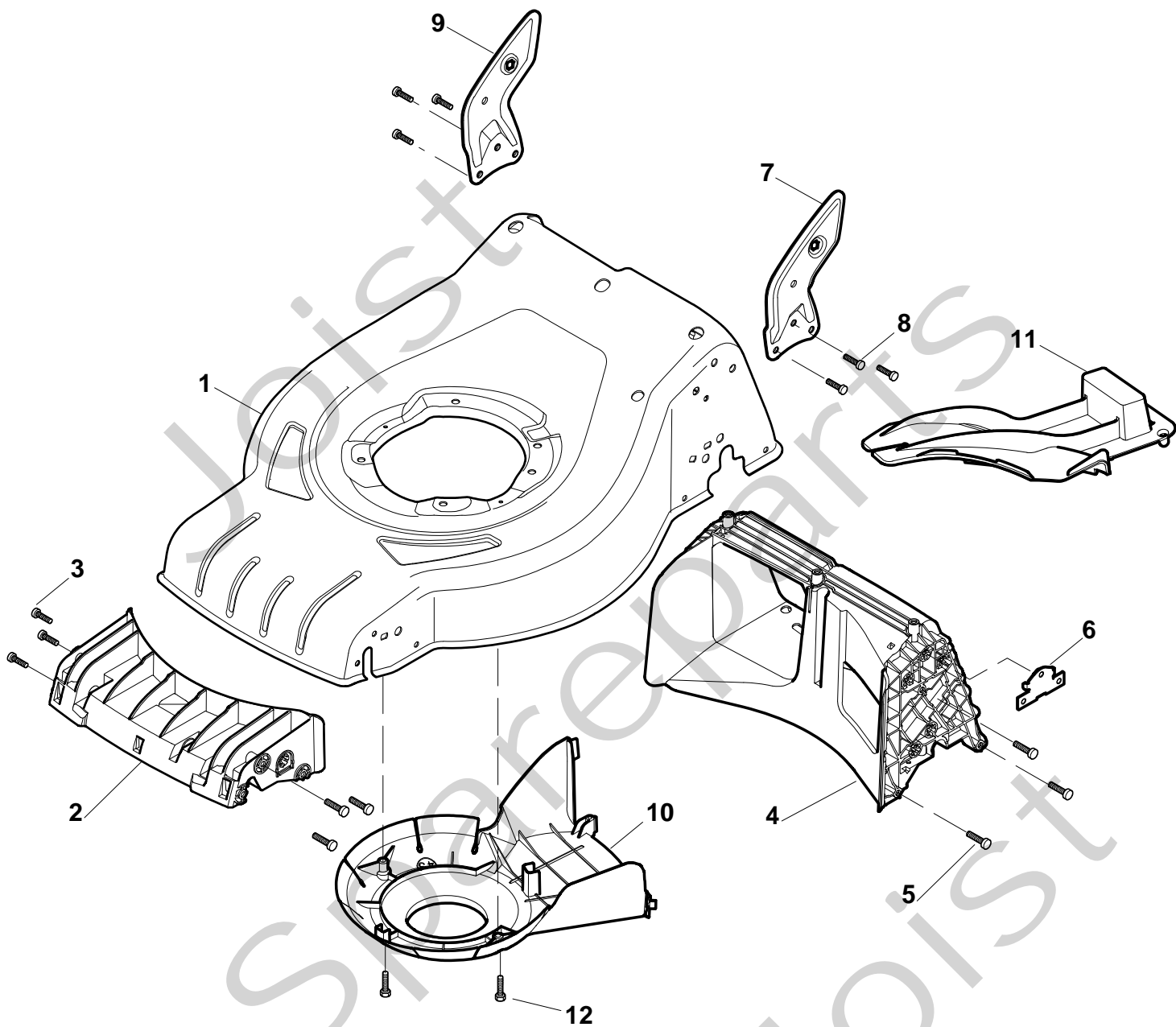
All rights reserved. No part of this material may be reproduced or transmitted, in any form or by any means, electronic or mechanical, including photocopying, recording or by any information storage and retrieval system, without permission in writing from GLOBAL GARDEN PRODUCTS.

STIGA®



COMBI 48 B

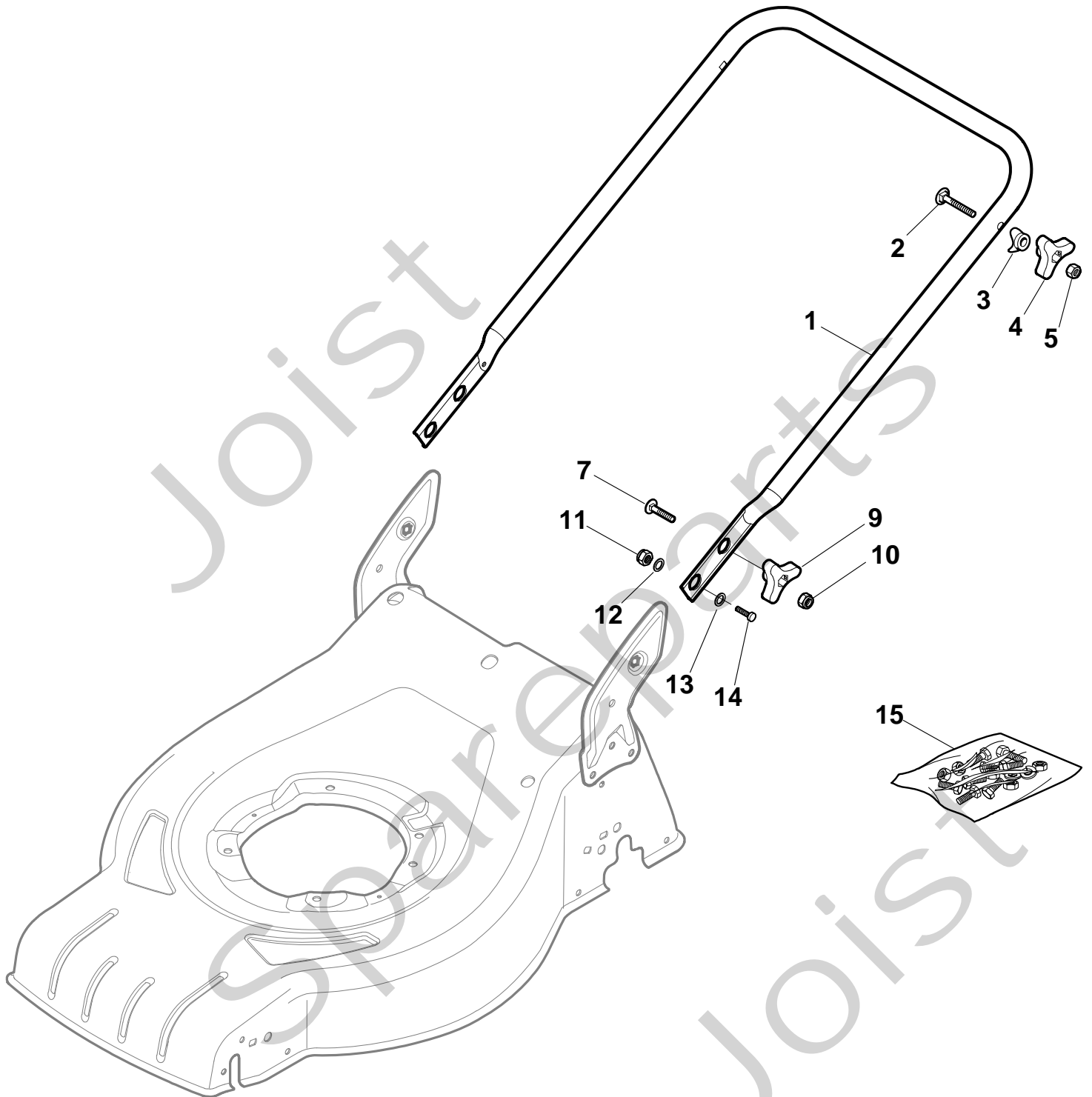
Pos. Fig.	Antal Quantity	Art No Part No	Benämning	Description	Anmärkning Notes
1	1	381302821/0	Hjulaxel-fram	Axle, Front Wheels	
2	2	22545142/0	Plåt	Plate	
3	4	112728698/0	Skruv	Screw	
4	2	12521350/0	Bricka	Washer	
5	2	12155000/0	Mutter	Nut	
6	2	112436051/0	Plåt	Plate	
7	1	322869673/0	Höjdinställn.stång	Rod, Height Adjustment	
8	2	122519820/0	Stift	Pin	
9	1	122446193/0	Fjäder	Spring	
11	4	112728698/0	Skruv	Screw	
12	2	22545152/0	Plåt	Plate	
13	1	381302815/0	Hjulaxel-bakre	Axle, Rear Wheels	
14	1	122534131/0	Remstyrning	Pin	
15	1	381003357/0	Höjdinställningsspak	Lever, Height Adjustment	
16	1	122446192/0	Fjäder	Spring	
17	1	12154510/0	Mutter	Nut	
21	2	12521350/0	Bricka	Washer	
22	2	12155000/0	Mutter	Nut	





COMBI 48 B

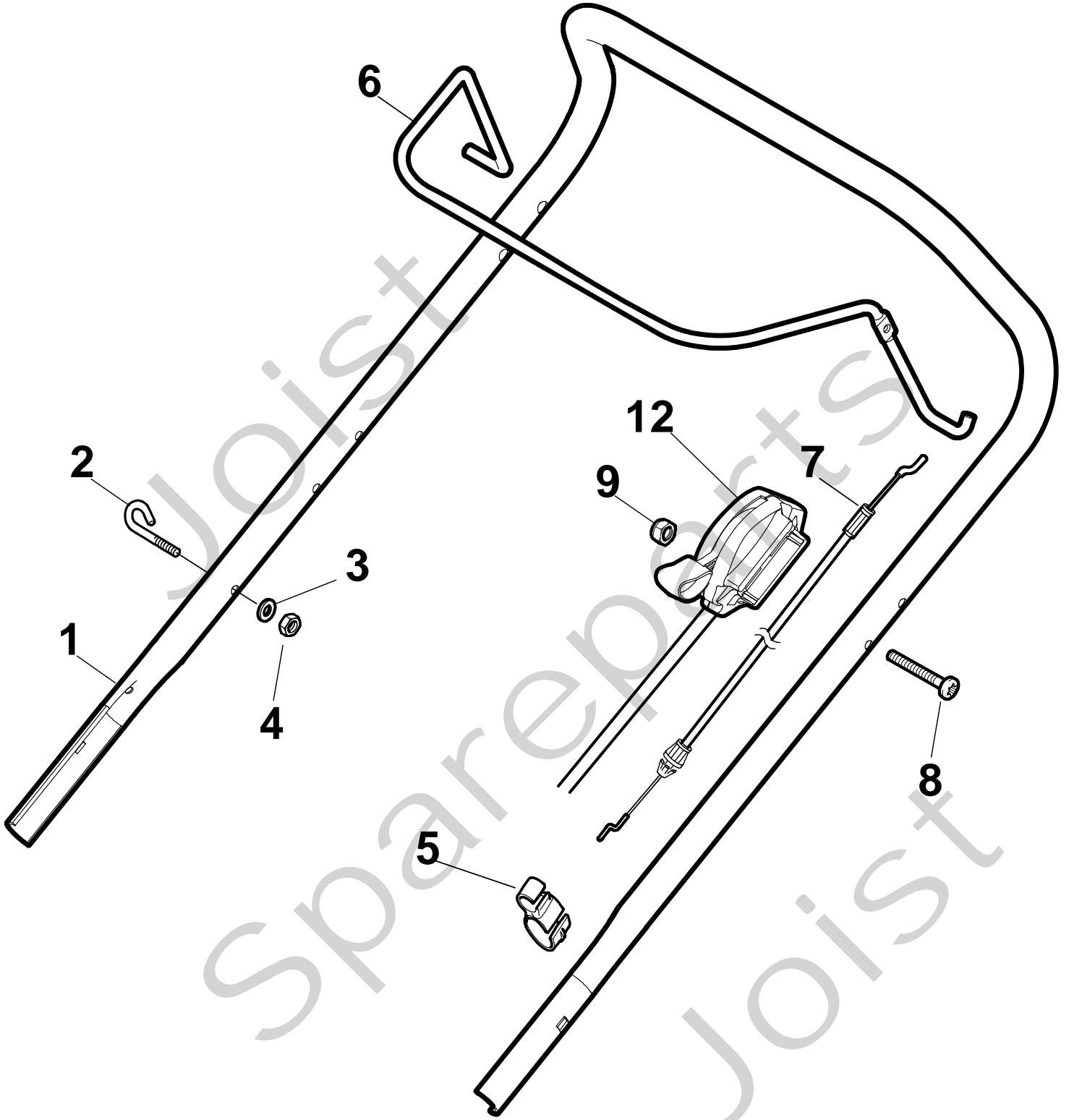
Pos. Fig.	Antal Quantity	Art No Part No	Benämning	Description	Anmärkning Notes
1	1	381004018/0	Chassi	Deck	
2	1	322108301/0	Ledplåt-främre	Front Conveyor Assy	
3	6	112728699/0	Skruv	Screw	
4	1	322108302/0	Ledplåt-bakre	Rear Conveyor Assy	
5	6	112728699/0	Skruv	Screw	
6	2	322545213/0	Plåt	Plate	
7	1	381005139/0	Fäste-vä	Bracket, L	
8	6	112727801/0	Skruv	Screw	
9	1	381005137/0	Fäste-hö	Bracket, R	
10	1	322060242/0	Remskydd	Protection, Belt	
11	1	322140239/0	Deflektor	Deflector	
12	2	12728530/0	Skruv	Screw	





COMBI 48 B

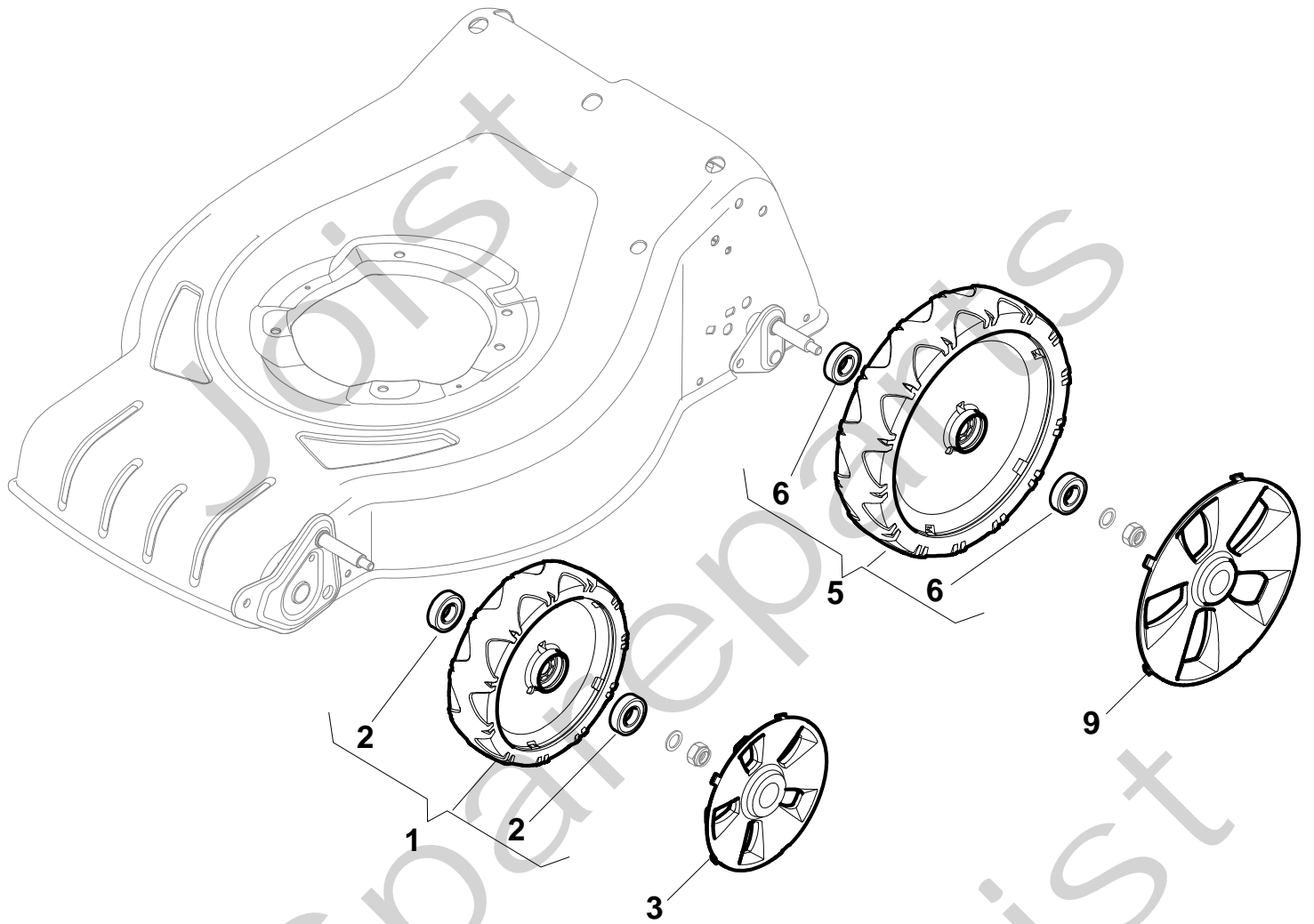
Pos. Fig.	Antal Quantity	Art No Part No	Benämning	Description	Anmärkning Notes
1	1	381006737/0	Styre-underdel	Handle, Lower Part	
2	2	12819120/0	Skruv	Screw	
3	2	22680006/1	Bricka	Washer	
4	2	22399900/0	Knopp	Knob	
5	2	12293200/0	Mutter	Nut	
7	2	12818900/0	Skruv	Screw	
9	2	22399900/0	Knopp	Knob	
10	2	12293200/0	Mutter	Nut	
11	2	12155000/0	Mutter	Nut	
12	2	12521350/0	Bricka	Washer	
13	2	12369500/0	Bricka	Washer	
14	2	12760605/0	Skruv	Screw	
15	1	381008691/0	Skruvsats	Outfit, Screws	





COMBI 48 B

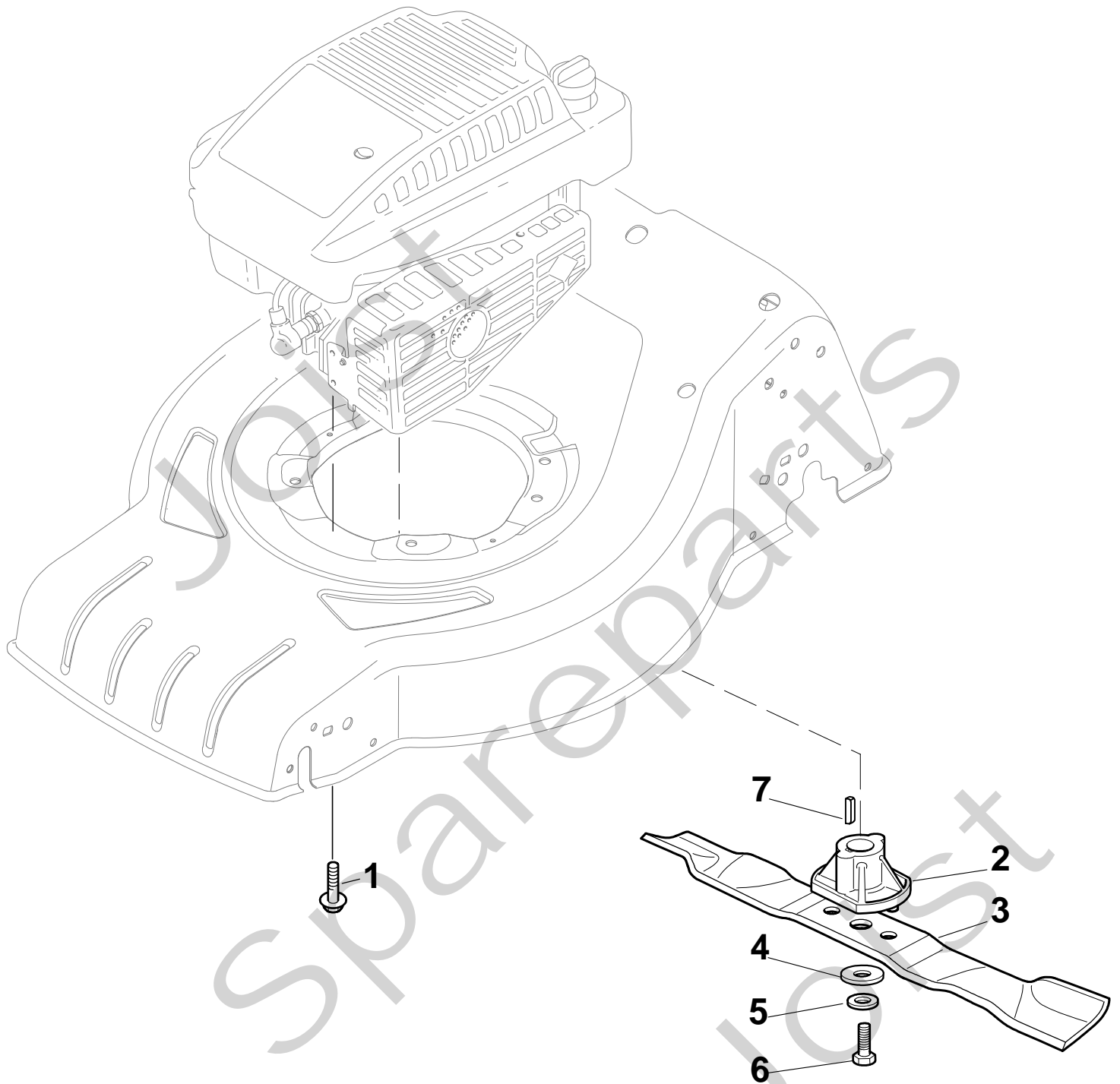
Pos. Fig.	Antal Quantity	Art No Part No	Benämning	Description	Anmärkning Notes
1	1	381006739/0	Styre-överdel	Handle, Upper Part	
2	1	22430313/0	Fjäder	Guide Spring	
3	1	12521330/0	Bricka	Washer	
4	1	12154510/0	Mutter	Nut	
5	1	118390020/0	Startkabel	Fairlead	
6	1	181003363/0	Reglagebygel-drivning	Lever, Engine Brake	
7	1	181030056/0	Motorbromswire	Cable, Thread Eng. Brake	
8	1	12727783/0	Skruv	Screw	
9	1	12154510/0	Mutter	Nut	
12	1	181005511/0	Gaswire	Throttle Cable	





COMBI 48 B

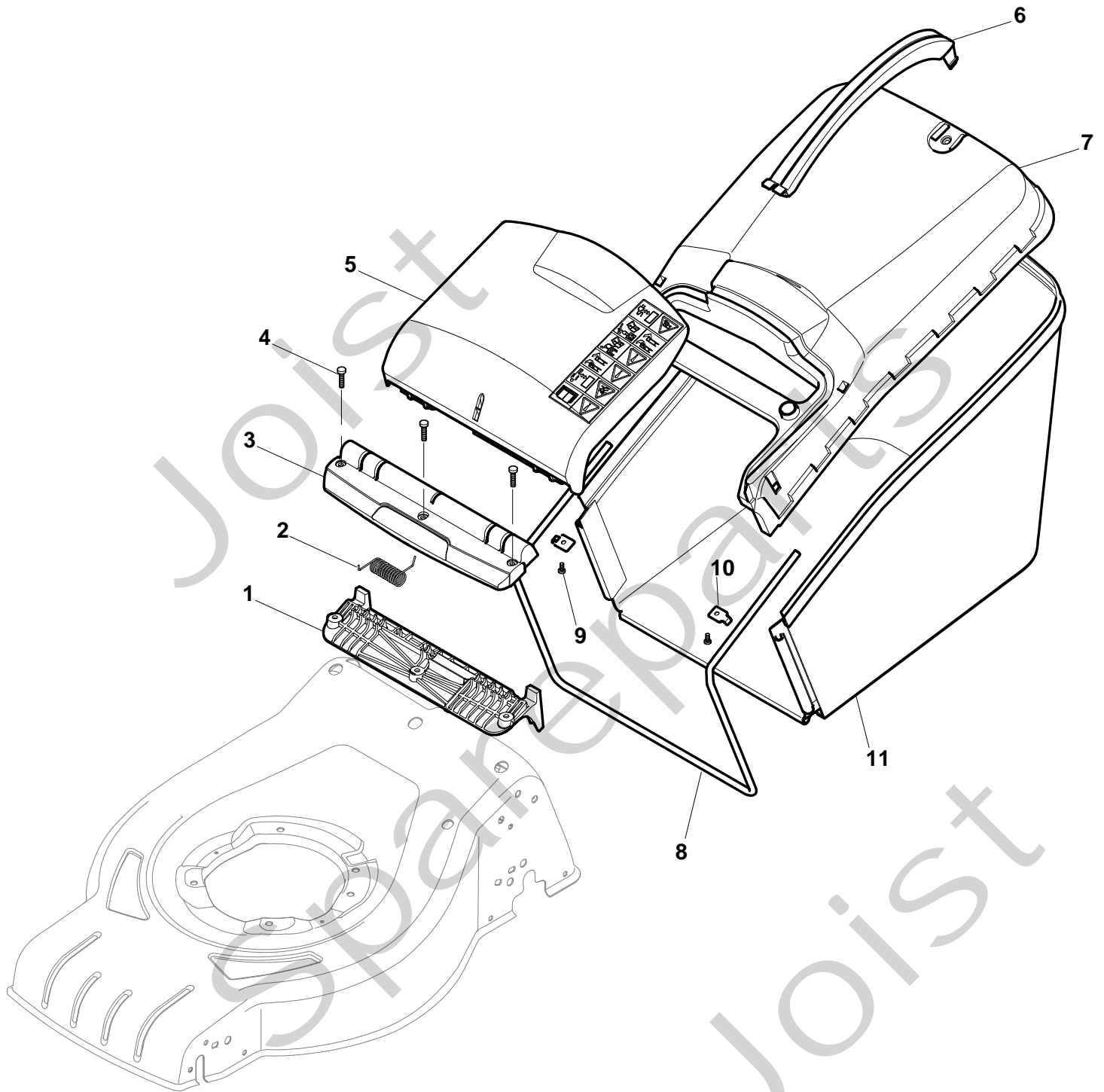
Pos. Fig.	Antal Quantity	Art No Part No	Benämning	Description	Anmärkning Notes
1	2	381007450/0	Hjul Ø 180	Wheel Ø 180	
2	4	19216035/0	Låsring	Bearing	
3	2	322110638/0	Navkapsel-grå	Hub Cap Grey	
5	2	381007456/0	Hjul Ø 240	Wheel Ø 240	
6	4	19216035/0	Låsring	Bearing	
9	2	322110639/0	Navkapsel-grå	Hub Cap Grey	





COMBI 48 B

Pos. Fig.	Antal Quantity	Art No Part No	Benämning	Description	Anmärkning Notes
1	3	112735108/1	Skruv	Screw	
2	1	22463012/2	Knivfäste Ø 22.2	Hub, Crankshaft Ø 22.2	
3	1	81004346/3	Kniv	Blade Standard	
4	1	22160400/0	Dammskydd	Dust Cover	
5	1	12523080/0	Bricka	Washer	
6	1	12735698/0	Skruv	Screw	
7	1	12139100/0	Kil	Feather, Crankshaft Ø 22.2	





COMBI 48 B

Pos. Fig.	Antal Quantity	Art No Part No	Benämning	Description	Anmärkning Notes
1	1	322785331/0	Fäste	Support	
2	1	122450464/0	Fjäder	Spring	
3	1	322109556/0	Skyddsplåt	Cover	
4	3	112728699/0	Skruv	Screw	
5	1	322600214/0	Lucka	Stone-Guard	
6	1	322393646/0	Handtag	Handle	
7	1	322486264/0	Uppsamlare-överdel	Grassbox Upper Part	
8	1	122608561/0	Trådbygel	Stiffening Lower	
9	2	322545159/0	Plåt	Plate	
10	2	12728692/0	Skruv	Screw	
11	1	181002318/0	Uppsamlings säck	Box, Fabric	