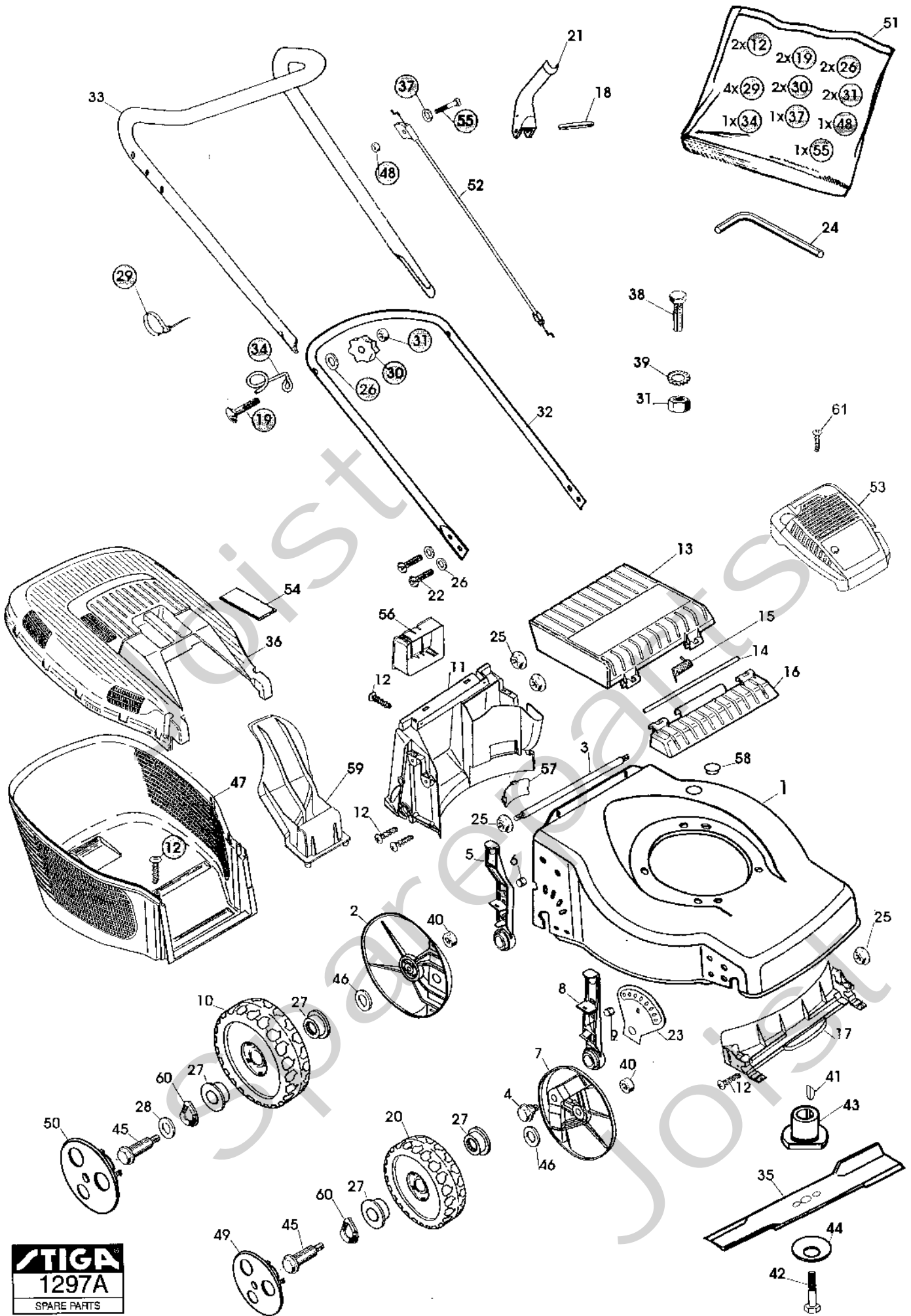


# Genuine Spare Parts

---



Joist  
Spareparts  
Joist

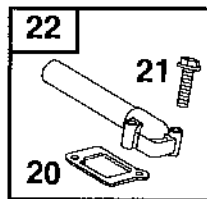
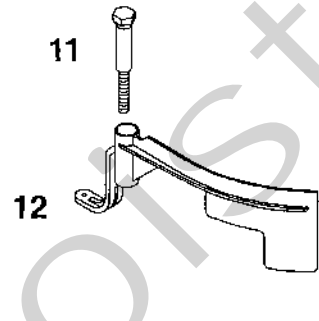
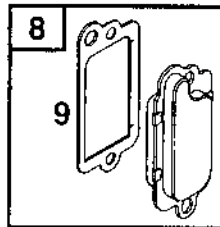
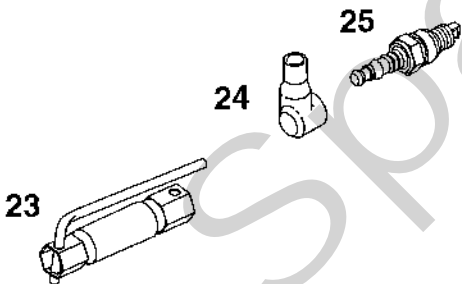
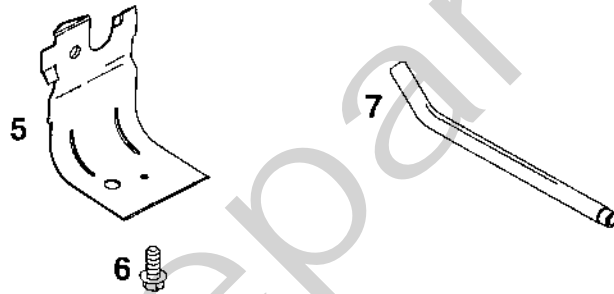
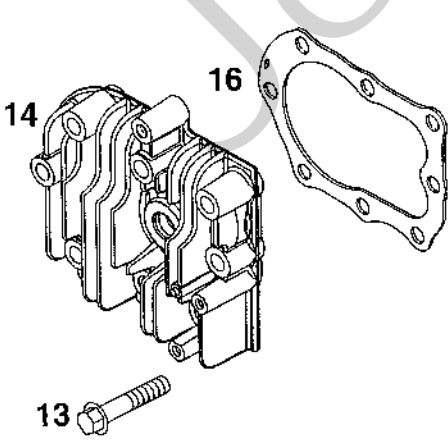
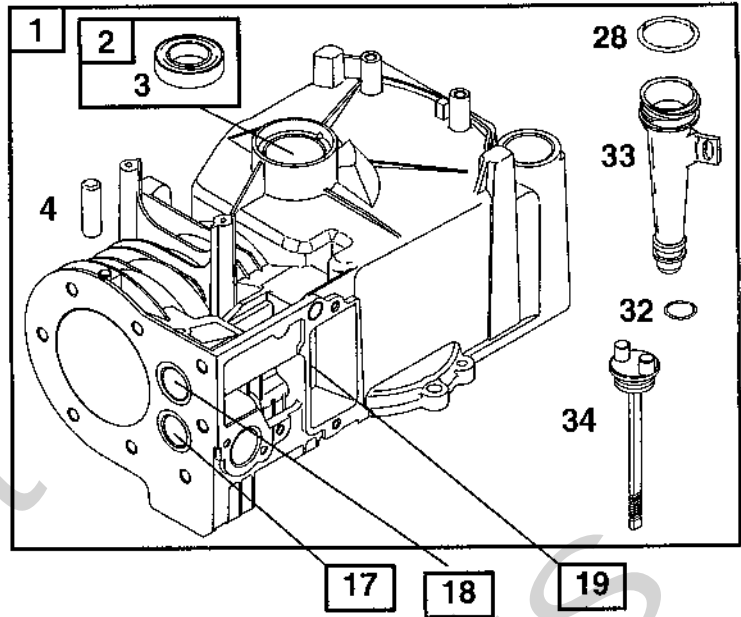
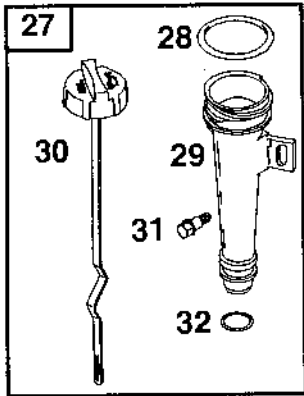


**STIGA**  
1297A  
SPARE PARTS

Utgåva Issue		Bildnr Picture No		COLLECTOR 45 COMBI	COLLECTOR 45 COMBI	Sida Page		
2003-43		1297A				126		
Pos. Fig.	Antal/Quantity			Art nr Part No	Benämning	Description	Sats Kit	Anmärkning Notes
	24- 4281 -09 -19							
1	1			1117-1308-01	Kåpa-gul .....	Deck-yellow .....		
2	2			1117-3259-01	Hjulsköld .....	Wheel cover .....		
3	1			1117-1219-01	Förstärkningsstag .....	Reinforcement .....		
4	2			1117-1182-01	Ansatsbult .....	Shoulder bolt .....		
5	2			1117-3261-01	Inställningsspak .....	Adjusting lever .....		Inkl. pos 6
6	2			1117-1214-01	• Sprint .....	• Pin .....		
7	2			1117-1376-01	Hjulsköld .....	Wheel lever .....		
8	2			1117-1228-01	Inställningsspak .....	Adjusting lever .....		Inkl. pos 9
9	2			1117-1215-01	• Stift .....	• Pin .....		
10	2			1111-3238-01	Hjul .....	Wheel .....		
11	1			1117-3008-01	Ledplåt- bakre .....	Baffle- rear .....		
12	10			9836-9516-12	Skruv .....	Screw .....		
13	1			1117-1156-01	Lucka- gul .....	Rear flap- yellow .....		
14	1			1117-1143-01	Axel .....	Shaft .....		
15	1			1117-1126-01	Fjäder .....	Spring- rear flap .....		
16	1			1117-1155-01	Luckinfästning- gul .....	Flap holder- yellow .....		
17	1			1117-3007-01	Ledplåt- främre .....	Baffle- front .....		
18	1			9595-0258-00	Spännstift .....	Locating pin .....		
19	2			9898-0855-12	Skruv .....	Screw .....		
20	2			1111-3163-01	Hjul .....	Wheel .....		
21	1			1117-3221-01	Manöverbygel .....	OPC lever .....		
22	4			1117-1364-01	Skruv .....	Screw .....		
23	2			1117-1213-01	Hälplåt .....	Sector .....		
24	1			1117-1355-01	Nyckel .....	Socket wrench .....		
25	8			1117-1131-01	Flänsmutter .....	Nut .....		
26	6			9699-0028-02	Planbricka .....	Flat washer .....		
27	8			9549-0053-00	Kullager .....	Ball bearing .....		
28	2			9699-0037-02	Bricka .....	Washer .....		
29	4			9579-0008-00	Buntband .....	Cable holder .....		
30	2			1117-3194-01	Lås ratt .....	Locking knob .....		
31	5			9799-0831-02	Mutter .....	Nut .....		
32	1			1117-1149-01	Styre- underdel .....	Handle- lower part .....		
33	1			1117-1095-01	Styre- överdel .....	Handle- upper part .....		
34	1			1117-1116-01	Snörhållare .....	Rope holder .....		
35	1			1111-9116-01	Kniv .....	Blade .....		
36	1			1117-1157-01	Uppsamlarlock- gul .....	Grassbag cover- yellow .....		Inkl. pos 54
37	1			9699-0025-02	Planbricka .....	Washer .....		
38	3			9997-0830-16	Skruv .....	Screw .....		
39	3			9678-0009-02	Låsbricka .....	Lock washer .....		
40	4			9716-0831-02	Mutter .....	Nut .....		
41	1			9600-0014-00	Kil .....	Key .....		
42	1			9987-5251-12	Skruv .....	Screw .....		
43	1			1111-9074-01	Knivfäste .....	Blade holder .....		
44	1			1117-1065-01	Tallriksbricka .....	Spring washer .....		
45	4			1111-3164-01	Hjulbult .....	Wheel axle bolt .....		
46	4			9699-0062-02	Planbricka .....	Flat washer .....		
47	1			1117-1218-01	Uppsamlare- underdel .....	Lower grass bag .....		
48	1			9799-0631-02	Mutter .....	Nut .....		
49	2			1111-2804-01	Navkapsel- gul .....	Hub cap- yellow .....		
50	2			1111-2815-01	Navkapsel- gul .....	Hub cap- yellow .....		
51	1			1117-3030-01	Mont.sats .....	Assy kit .....		
52	1			1117-1183-01	Motorbromswire .....	Engine brake cable .....		
53	1			1111-3287-01	Motorkåpa- svart .....	Engine cover- black .....		
54	1			1117-1135-01	• Lock- gul .....	• Cover- yellow .....		
55	1			9948-0640-16	Skruv .....	Screw .....		
56	1			1111-2927-01	Batterihållare .....	Battery holder .....		
57	1			1117-1148-01	Lock .....	Cap .....		
58	1			1117-1119-01	Plugg .....	Cap .....		
59	1			1117-3001-01	Mulcherplugg .....	Mulch plug .....		
60	4			9694-0003-00	Bricka .....	Washer .....		
61	2			9828-7942-12	Skruv .....	Screw .....		

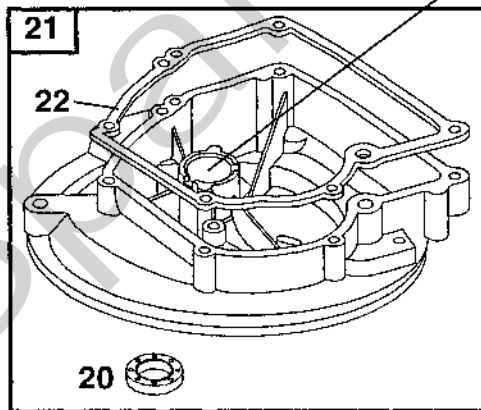
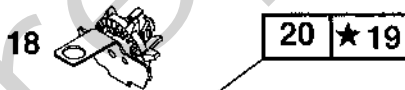
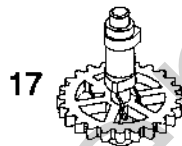
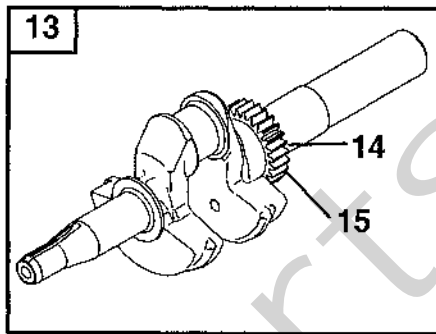
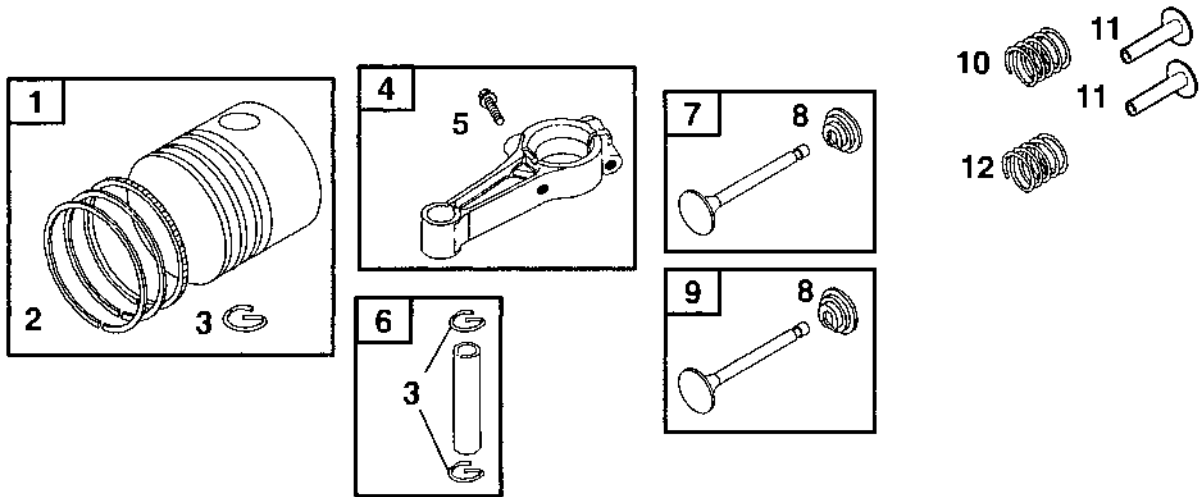
A

15 



Utgåva Issue 2003-43		Bildnr Picture No 1476		BRIGGS & STRATTON 10D902 CYLINDER		BRIGGS & STRATTON 10D902 CYLINDER		Sida Page 344	
Pos. Fig.	Antal/Quantity			Art nr Part No	Benämning	Description	Sats Kit	Anmärkning Notes	
	10D 902- 0129	10D 902- 0141	10D 902- 0142						
A01	1	1	1	399164	Cylinder kpl.....	Cylinder assy.....			
A02	1	1	1	399269	• Bussning.....	• Bushing.....			
A03	1	1	1	299819	• Tätningring.....	• Oil seal.....	S		
A04	2	2	2	690959	• Tapp.....	• Locating pin.....			
A05	1	1	1	690400	Skyddsplåt.....	Cylinder shield.....			
A06	1	1	1	690345	Skruv.....	Screw.....			
A07	1	1	1	691245	Rör.....	Breather tube.....			
A08	1	1	1	495785	Vevhusventilation.....	Breather.....			
A09	1	1	1	272602	• Packning.....	• Gasket.....	S		
A09	1	1	1	695890	• Packning.....	• Gasket.....	S		
A10	2	2	2	691666	Skruv.....	Screw.....			
A11	1	1	1	691107	Skruv.....	Screw.....			
A12	1	1	1	691912	Regulatorvinge.....	Governor blade.....			
A13	8	8	8	691697	Skruv.....	Screw.....			
A14	1	1	1	690386	Topplöck.....	Cylinder head.....			
A15	1	1	1	692889	Distans.....	Spacer.....			
A16	1	1	1	692288	Topplöckspackning.....	Cylinder head gasket.....	S		
A17	1	1	1	691702	• Ventilsåte- utblås.....	• Valve seat- exhaust.....			
A18	1	1	1	691701	• Ventilsåte- insug.....	• Valve seat- intake.....			
A19	1	1	1	231348	• Ventilstyrning- utblås.....	• Guide bushing- exhaust.....			
A19	1	1	1	63709	• Ventilstyrning- insug.....	• Guide- intake valve.....			
A20	1	1	1	270345	• Packning.....	• Gasket.....	S		
A21	2	2	2	691111	• Skruv.....	• Screw.....			
A22	1	1	1	693446	Insugningsrör.....	Intake manifold.....			
A23	1	1	1	1111-9029-01	Tändstiftsnyckel.....	Spark plug wrench.....			
A24	1	1	1	66538	Tändstiftsskydd.....	Spark plug elbow.....			
A25	1	1	1	9400-0225-00	Tändstift.....	Spark plug.....		Champion J19LM	
A27	1	1	1	691440	Oljesticka kpl.....	Dipstick assy.....			
A28	1	1	1	691870	• Tätningring.....	• Seal.....			
A29	1	1	1	691320	• Påfyllningsrör.....	• Dipstick tube.....			
A30	1	1	1	692040	• Oljesticka.....	• Dipstick.....			
A31	1	1	1	691002	• Skruv.....	• Screw.....			
A32	1	1	1	691876	• Tätningring.....	• Dipstick tube seal.....	S		
A33	1	1	1	694531	• Påfyllningsrör.....	• Dipstick tube.....			
A34	1	1	1	691913	• Oljesticka.....	• Oil dipstick.....			

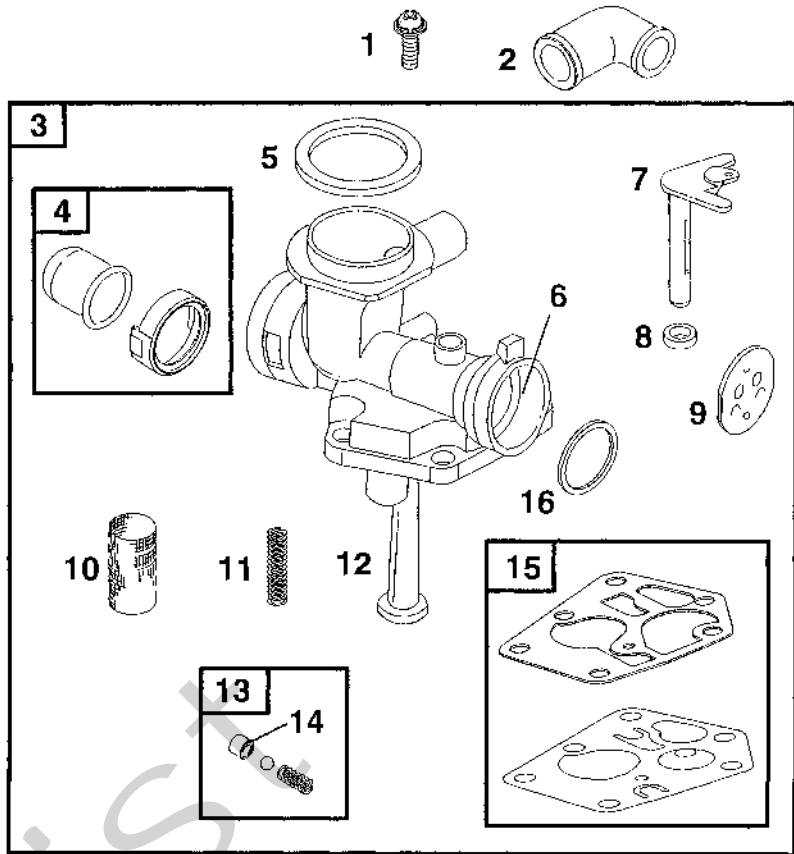
A



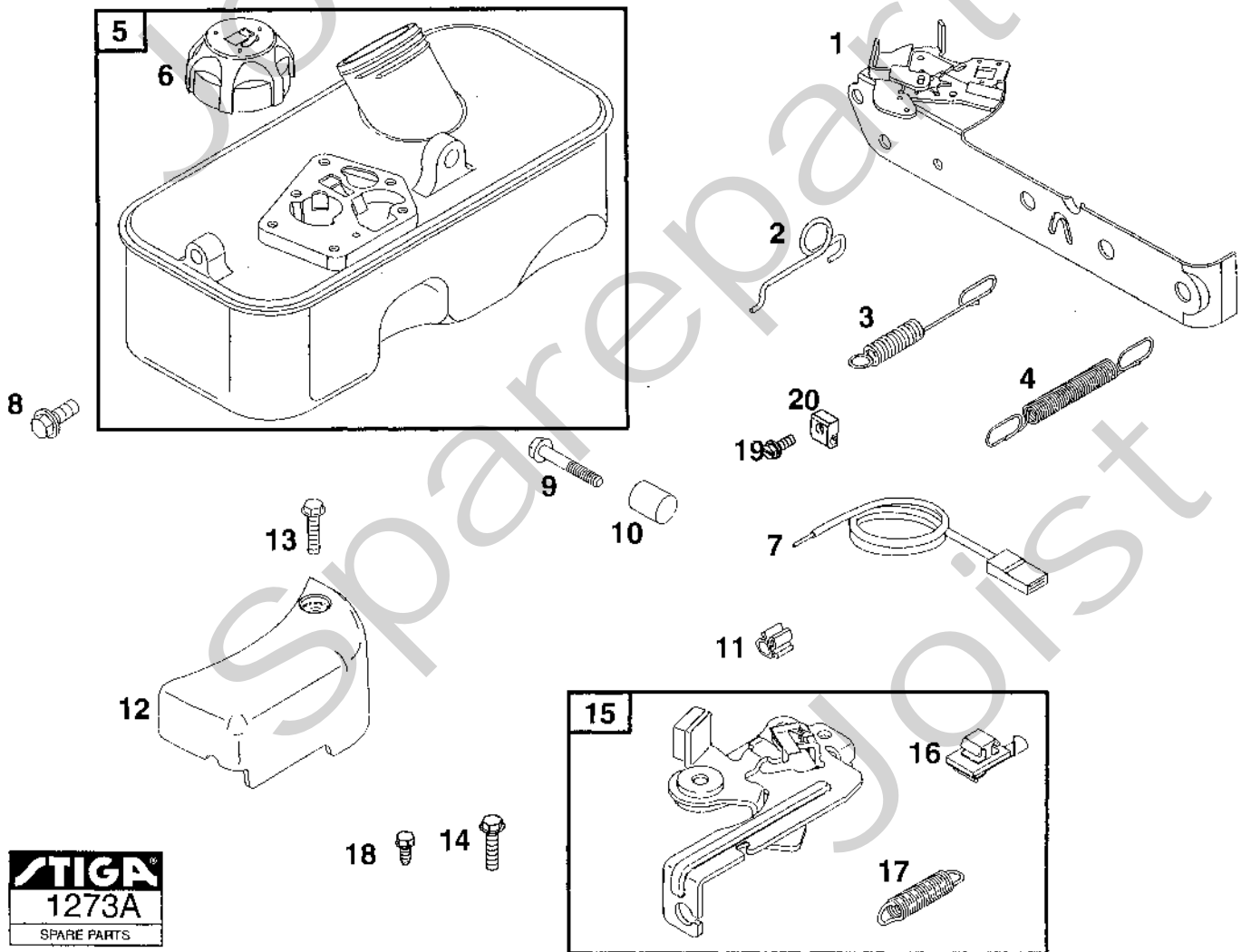
31 ENGINE GASKET SET

Utgåva Issue		Bildnr Picture No		BRIGGS & STRATTON 10D902 VEVAXEL VEVHUS		BRIGGS & STRATTON 10D902 CRANKSHAFT CRANKCASE		Sida Page	
2003-43		1477						346	
Pos. Fig.	Antal/Quantity			Art nr Part No	Benämning	Description	Sats Kit	Anmärkning Notes	
	10D 902- 0129	10D 902- 0141	10D 902- 0142						
A01	1	1	1	498668	Kolv kpl.....	Piston assy .....		Standard	
A01	1	1	1	498669	Kolv kpl.....	Piston assy .....		.010" oversize	
A01	1	1	1	498670	Kolv kpl.....	Piston assy .....		.020" oversize	
A01	1	1	1	498671	Kolv kpl.....	Piston assy .....		.030" oversize	
A02	1	1	1	498680	• Kolvringsatts.....	• Ring set.....		Standard	
A02	1	1	1	498681	• Kolvringsatts.....	• Ring set.....		.010" oversize	
A02	1	1	1	498682	• Kolvringsatts.....	• Ring set.....		.020" oversize	
A02	1	1	1	498683	• Kolvringsatts.....	• Ring set.....		.030" oversize	
A03	2	2	2	691588	• Låsring .....	• Piston pin lock .....			
A04	1	1	1	496792	Vevstake .....	Connecting rod .....			
A05	2	2	2	691664	• Skruv .....	• Screw .....			
A06	1	1	1	298908	Kolvbult kpl.....	Piston pin assy.....		.005" oversize	
A06	1	1	1	298909	Kolvbult kpl.....	Piston pin assy.....		Standard	
A07	1	1	1	296676	Utblåsningsventil .....	Exhaust valve .....			
A08	2	2	2	692194	• Ventilhållare .....	• Valve retainer .....			
A09	1	1	1	296677	Insugningsventil .....	Intake valve .....			
A10	1	1	1	690520	Ventilfjäder .....	Valve spring .....			
A11	2	2	2	691762	Ventillyftare .....	Valve tappet .....			
A12	1	1	1	690520	Ventilfjäder .....	Valve spring .....			
A13	1	1	1	691471	Vevaxel .....	Crankshaft.....			
A14	1	1	1	499047	• Stift .....	• Pin.....			
A15	1	1	1	691805	• Drev .....	• Timing gear.....			
A16	1	1	1	222698	Kil .....	Key .....			
A17	1	1	1	691998	Kamaxel.....	Camshaft.....			
A18	1	1	1	691983	Oljeslungare.....	Oil slinger.....			
A19	1	1	1	293709	• Bussning.....	• Bushing.....			
A20	1	1	1	391483	• Tätningsring .....	• Oil seal .....	S		
A21	1	1	1	395384	Vevhus.....	Oil sump .....			
A22	1	1	1	270895	• Vevhuspackning .....	• Crankcase gasket .....	S	.005" thick	
A22	1	1	1	270896	• Vevhuspackning .....	• Crankcase gasket .....	S	.009" thick	
A22	1	1	1	692218	• Vevhuspackning .....	• Crankcase gasket .....	S	.015" thick (Standard)	
A23	1	1	1	691680	Oljeavtappningsplugg .....	Oil drain plug .....			
A24	6	6	6	691662	Skruv .....	Screw .....			
A31	1	1	1	298989	Packningssats .....	Gasket set .....		Märkta/marked S	

A



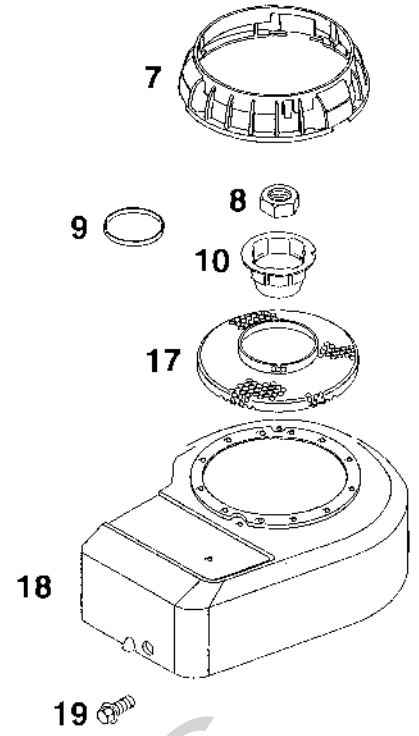
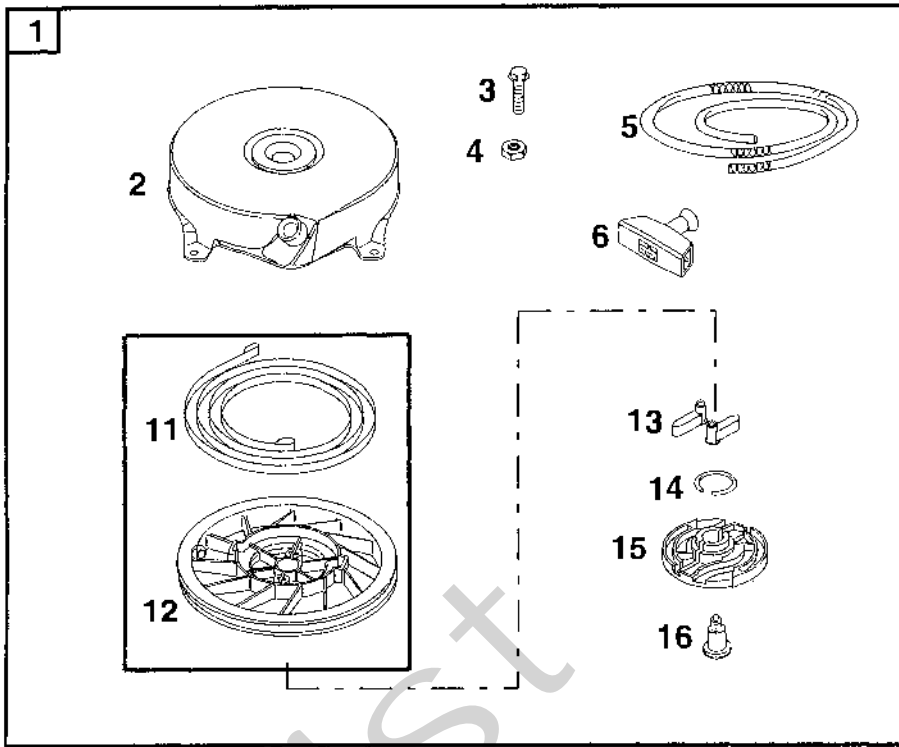
B



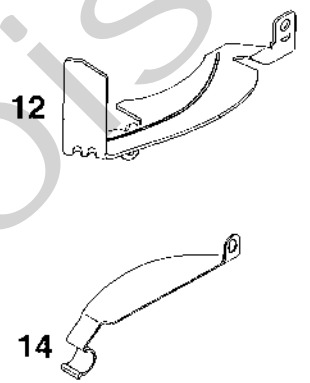
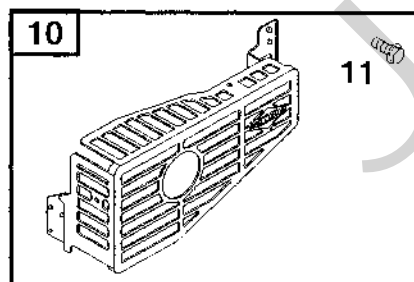
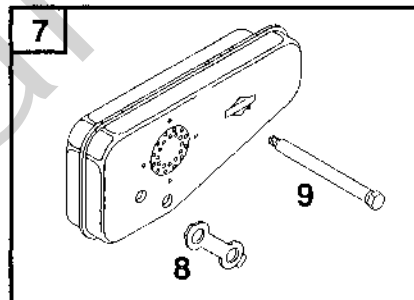
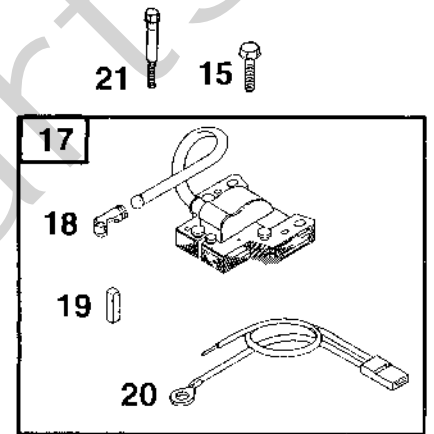
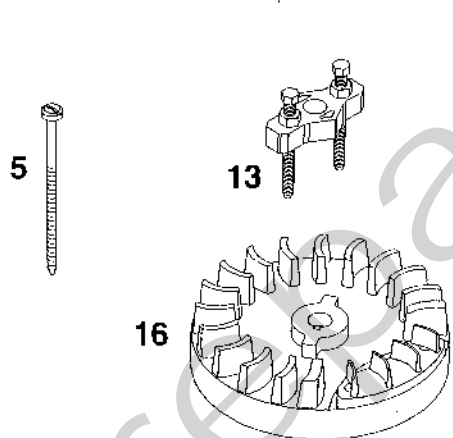
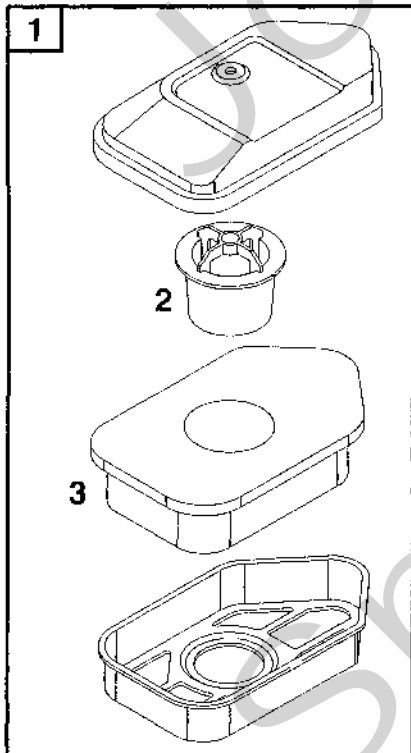


Utgåva Issue		Bildnr Picture No		BRIGGS & STRATTON 10D902 FÖRGASARE BRÄNSLETANK		BRIGGS & STRATTON 10D902 CARBURETTOR FUEL TANK		Sida Page
2003-43		1273A						348
Pos. Fig.	Antal/Quantity			Art nr Part No	Benämning	Description	Sats Kit	Anmärkning Notes
	10D 902- 0129	10D 902- 0141	10D 902- 0142					
A01	4	4	4	692200	Skruv .....	Screw .....		
A02	1	1	1	692189	Hylsa .....	Grommet .....		
A03	1	1	1	498811	Förgasare kpl .....	Carburettor assy .....		
A04	1	1	1	494408	• Primer .....	• Primer bulb .....		
A04	1	1	1	694394	• Primer .....	• Carburettor primer .....		
A05	1	1	1	271139	• Packning .....	• Gasket .....		
A06	1	1	1	270344	• Tätning .....	• Seal .....		
A07	1	1	1	691931	• Spjällaxel .....	• Throttle shaft .....		
A08	1	1	1	691321	• Dammtätning .....	• Dust seal .....		
A09	1	1	1	691190	• Gasspjäll .....	• Throttle valve .....		
A10	1	1	1	691837	• Nät .....	• Screen .....		
A11	1	1	1	691839	• Fjäder .....	• Spring .....		
A12	1	1	1	496046	• Bränslerör .....	• Fuel pipe .....		
A13	1	1	1	494409	• Ventilsåte .....	• Check valve seat .....		
A14	1	1	1	691901	• Säte .....	• Inlet seat .....		
A15	1	1	1	495770	• Membran .....	• Diaphragm .....		
A16	1	1	1	695866	• O-ring .....	• O-ring seal .....		
B01	1	1	1	691446	Reglageplåt .....	Control bracket .....		
B02	1	1	1	690347	Regulatorlänk .....	Air vane link .....		
B03	1	1	1	690251	Regulatorfjäder .....	Governor spring .....		
B03	1	1	1	690254	Regulatorfjäder .....	Governor spring .....		
B04	1	1	1	691859	Fjäder .....	Idle spring .....		
B05	1	1	1	494406	Bränsletank .....	Fuel tank .....		
B06	1	1	1	497929	• Tanklock .....	• Fuel cap .....		
B07	1	1	1	692390	Stoppkabel .....	Stop wire .....		
B08	1	1	1	692198	Skruv .....	Screw .....		
B09	1	1	1	691697	Skruv .....	Screw .....		
B10	1	1	1	691633	Distans .....	Spacer .....		
B11	1	1	1	690586	Wireklämma .....	Wire clip .....		
B12	1	1	1	691349	Kåpa .....	Linkage cover .....		
B13	1	1	1	691111	Skruv .....	Screw .....		
B14	2	2	2	691146	Skruv .....	Screw .....		
B15	1	1	1	691487	Broms .....	Brake .....		
B16	1	1	1	692310	• Stoppkontakt .....	• Stop switch .....		
B17	1	1	1	692135	• Bromsfjäder .....	• Brake spring .....		
B18	1	1	1	690859	Skruv .....	Screw .....		
B19	1	1	1	691044	Skruv .....	Screw .....		
B20	1	1	1	690798	Wireklämma .....	Casing clamp .....		

A



B



Utgåva Issue 2003-43		Bildnr Picture No 1272A		BRIGGS & STRATTON 10D902 START LUFTFILTER		BRIGGS & STRATTON 10D902 STARTER AIR CLEANER		Sida Page 350	
Pos. Fig.	Antal/Quantity			Art nr Part No	Benämning	Description	Sats Kit	Anmärkning Notes	
	10D 902- 0129	10D 902- 0141	10D 902- 0142						
A01	1	1	1	499706	Start kpl.....	Rewind starter.....			
A02	1	1	1	692144	• Starthus.....	• Starter housing.....			
A03	4	4	4	690837	• Skruv.....	• Screw.....			
A04	4	4	4	690800	• Mutter.....	• Nut.....			
A05	1	1	1	692259	• Startsnöre.....	• Starter rope.....			
A06	1	1	1	691915	• Starthandtag.....	• Starter grip.....			
A07	1	1	1	691348	Skydd.....	Rewind guard.....			
A08	1	1	1	690662	Mutter.....	Flywheel nut.....			
A09	1	1	1	694420	Roterande platta.....	Rotating trim plate.....			
A10	1	1	1	691236	Svänghjulskopp.....	Flywheel cup.....			
A11	1	1	1	499901	• Linhjul m fjäder.....	• Pulley and spring.....			
A12	1	1	1	499901	• Linhjul m fjäder.....	• Pulley and spring.....			
A13	2	2	2	281505	• Startklo.....	• Starter pawl.....			
A14	1	1	1	691855	• Friktionsfjäder.....	• Friction spring.....			
A15	1	1	1	692299	• Spärrplatta.....	• Pawl friction plate.....			
A16	1	1	1	691696	• Skruv.....	• Screw.....			
A17	1	1	1	691235	Skyddsnet.....	Rotating screen.....			
A18	1	1	1	691484	Fläkthus.....	Blower housing.....			
A19	3	3	3	692198	Skruv.....	Screw.....			
B01	1	1	1	493492	Luftfilter.....	Air cleaner.....			
B02	1	1	1	691911	• Stöd.....	• Support.....			
B03	1	1	1	272235	• Filterinsats.....	• Air cleaner filter.....			
B04	1	1	1	271139	Packning.....	Gasket.....			
B05	1	1	1	691417	Skruv.....	Screw.....			
B07	1	1	1	394644	Ljuddämpare.....	Muffler.....			
B07	1	1	1	692307	Ljuddämpare.....	Muffler.....			
B08	1	1	1	691179	• Låsbleck.....	• Screw lock.....			
B09	2	2	2	691413	• Skruv.....	• Screw.....			
B10	1	1	1	494896	Ljuddämparskydd.....	Muffler guard.....			
B11	2	2	2	690664	• Skruv.....	• Screw.....			
B12	1	1	1	691209	Svänghjulsskydd.....	Flywheel guard.....			
B13	1	1	1	19069	Avdragare.....	Puller.....			
B14	1	1	1	690482	Svänghjulsskydd.....	Flywheel guard.....			
B15	2	2	2	691061	Skruv.....	Screw.....			
B16	1	1	1	692009	Svänghjul.....	Flywheel.....			
B17	1	1	1	496914	Tändsystem kpl.....	Magneto armature.....			
B18	1	1	1	493880	• Anslutningshylsa.....	• Terminal.....			
B19	1	1	1	222698	• Kil.....	• Key.....			
B20	1	1	1	398808	• Kortslutningskabel.....	• Ground wire.....			
B21		1	1	691107	Skruv.....	Screw.....			