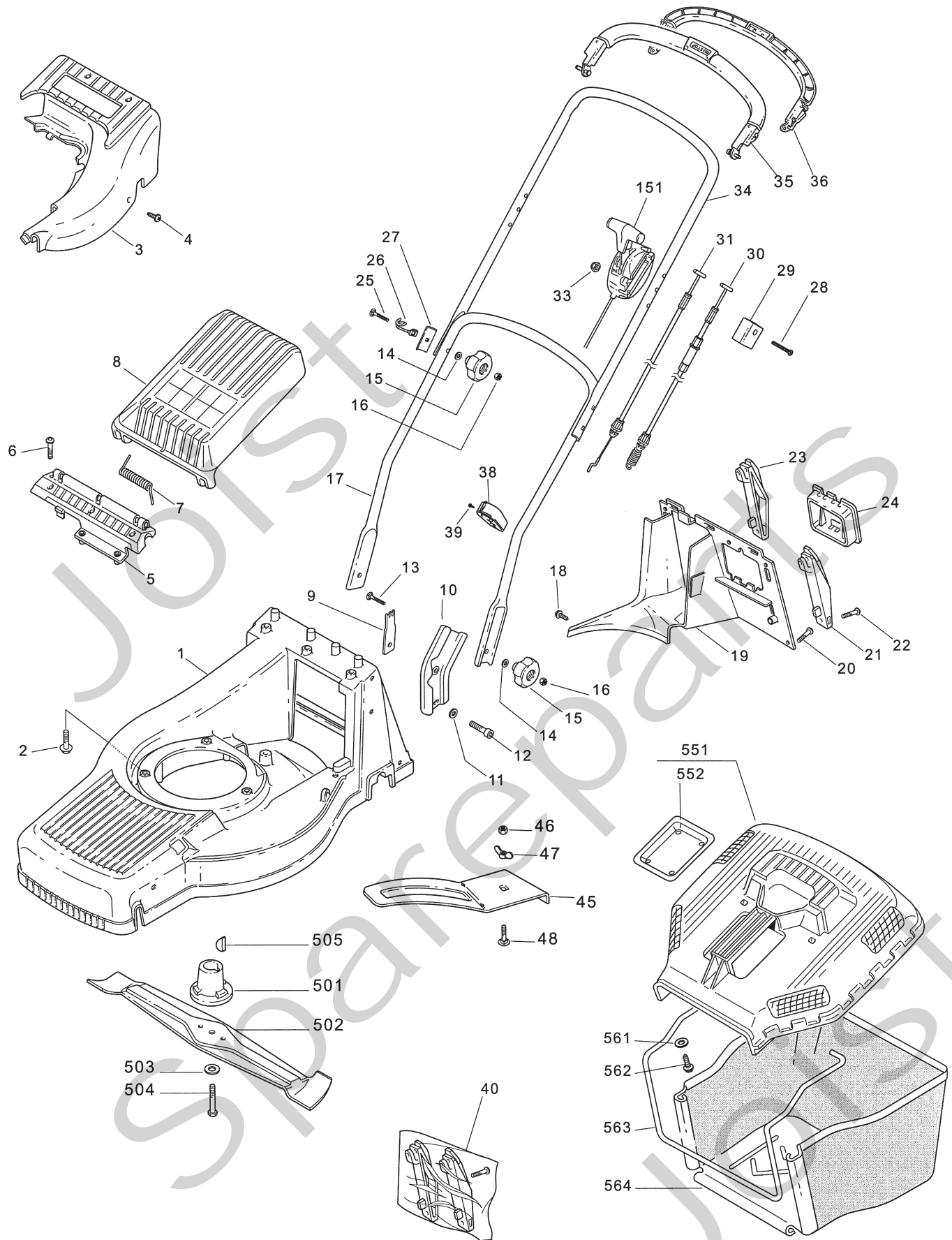


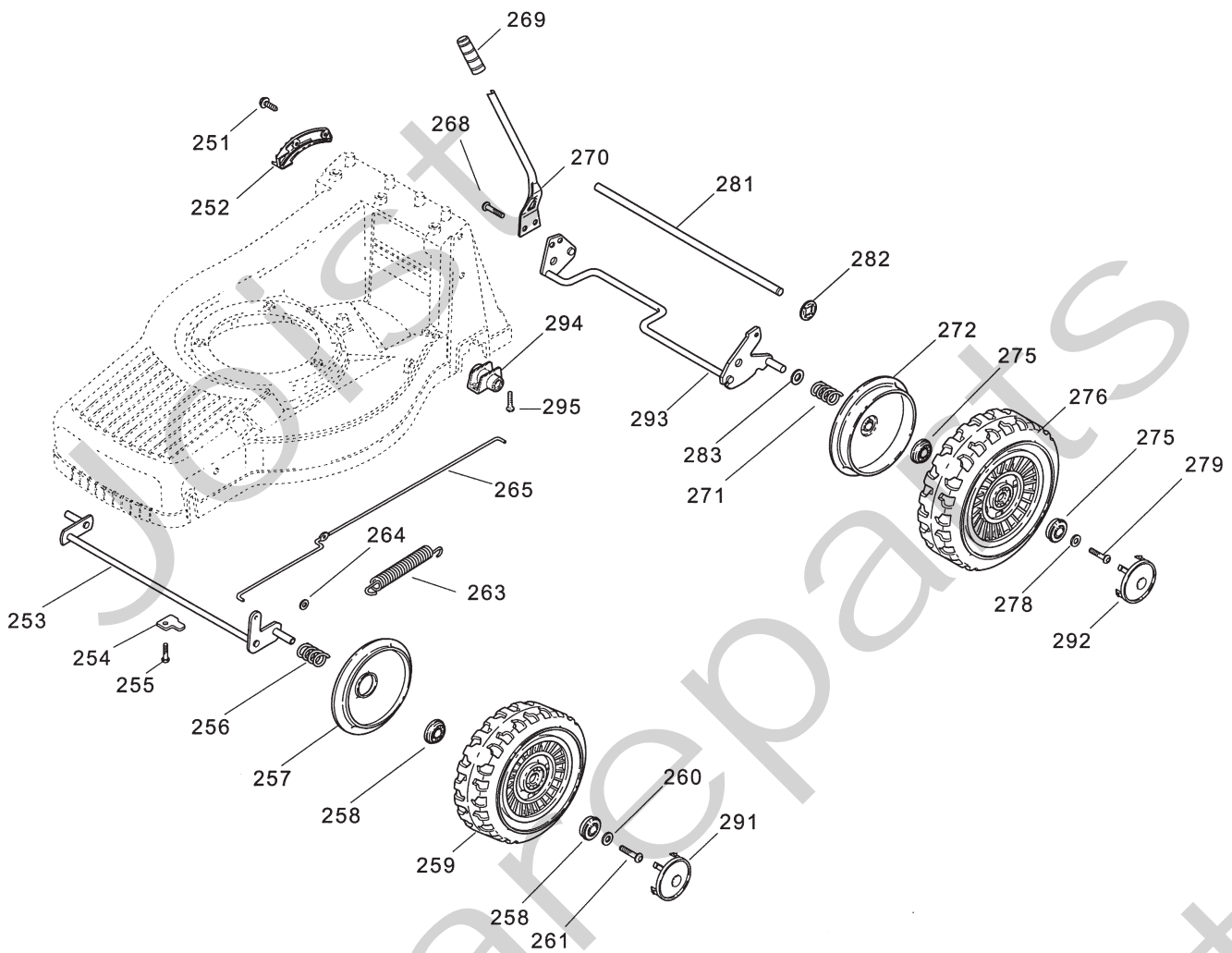
Genuine Spare Parts



Joist
Spareparts
Joist



Utgåva Issue		Bildnr Picture No		TURBO 43 COMBI TURBO 43S COMBI CHASSI STYRE		TURBO 43 COMBI TURBO 43S COMBI CHASSIS HANDLE		Sida Page
2005- 12		1933						156
Pos. Fig.	Antal/Quantity			Art nr Part No	Benämning	Description	Sats Kit	Anmärkning Notes
	1103 -19	1181 -19	1286 -19					
1	1	1	1	1111-3100-01	Chassi- gul.....	Chassis- yellow		
2	3	3	3	9955-3732-12	Skruv.....	Screw.....		
3	1	1	1	1111-3102-01	Täckåpa- gul.....	Cover- yellow		
4	3	3	3	9838-9522-12	Skruv.....	Screw.....		
5	1	1	1	1111-3104-01	Luckinfästning- gul.....	Flap attachm.- yellow		
6	3	3	3	9947-0616-16	Skruv.....	Screw.....		
7	1	1	1	1111-3181-01	Fjäder.....	Spring.....		
8	1	1	1	1111-3282-01	Lucka- gul.....	Flap- yellow		
9	1	1	1	1111-3024-01	Fästplatta.....	Attachment plate		
10	2	2	2	1111-3021-01	Styrinfästning.....	Handlebar attachment.....		
11	2	2	2	9699-0028-02	Planbricka.....	Flat washer.....		
12	2	2	2	9939-0820-16	Skruv.....	Screw.....		
13	2	2	2	9899-3557-12	Skruv.....	Screw.....		
14	4	4	4	9699-0028-02	Planbricka.....	Flat washer.....		
15	4	4	4	1111-3023-01	Låsrott.....	Locking knob		
16	4	4	4	9795-3531-02	Mutter.....	Nut.....		
17	1	1	1	1111-3113-01	Styre- underdel.....	Handlebar- lower part.....		
18	1	1	1	9838-9522-12	Skruv.....	Screw.....		
19	1	1	1	1111-3337-01	Bakstam.....	Rear attachment.....		
20	3	3	3	9947-0616-16	Skruv.....	Screw.....		
21	1	1	1	1111-3236-01	Hållare- vä.....	Attachment- LH.....		
22	4	4	4	9836-9520-12	Skruv.....	Screw.....		
23	1	1	1	1111-3237-01	Hållare- hö.....	Attachment- RH.....		
24	1	1	1	1111-2927-01	Batterihållare.....	Battery holder.....		
25	2	2	2	9899-3557-12	Skruv.....	Screw.....		
26	1	1	1	1111-3062-01	Ögla.....	Eyelink.....		
27	2	2	2	1111-0178-00	Förstärkning.....	Reinforcement.....		
28		1	1	9948-0640-16	Skruv.....	Screw.....		
28	1			9948-0670-16	Skruv.....	Screw.....		
29	1	1	1	1111-2969-01	Wirefäste.....	Cable attachment.....		
30			1	1111-3388-02	Kopplingswire.....	Clutch cable.....		
31	1	1	1	1111-2968-01	Motorbromswire.....	Engine brake cable.....		
33	1	1	1	9747-0631-02	Låsmutter.....	Lock nut.....		
34	1	1	1	1111-3112-01	Styre- överdel.....	Handlebar- upper part.....		
35	1	1	1	1111-2953-01	Manöverbygel.....	Control handle.....		
36			1	1111-2954-01	Manöverbygel.....	Control handle.....		
38	1	1	1	1111-2018-01	Kabelhållare.....	Cable holder.....		
39	1	1	1	9836-9216-12	Skruv.....	Screw.....		
40	1	1	1	1111-3569-01	Tillbehörspåse.....	Accessory bag.....		
45	1	1	1	1111-3336-01	Mulcher plugg.....	Mulch plug.....		
46	1	1	1	9799-0831-02	Mutter.....	Nut.....		
47	1	1	1	1134-4481-01	Vingmutter.....	Wing nut.....		
48	1	1	1	1136-0825-01	Skruv.....	Screw.....		
151	1			1111-3351-01	Gasreglage.....	Throttle control.....		
501	1	1	1	1111-9070-01	Knivfäste.....	Blade holder.....		
502	1	1	1	1111-9089-01	Kniv.....	Blade.....		
503	1	1	1	9696-0011-01	Bricka.....	Washer.....		
504	1	1	1	9987-5251-12	Skruv.....	Screw.....		
505	1	1	1	9600-0014-00	Kil.....	Key.....		
551	1	1	1	1117-1345-01	Uppsamlarlock- gul.....	Top collector- yellow		
552	1	1	1	1111-2764-01	• Täckbricka.....	• Cover.....		
561	2	2	2	9699-0100-02	Bricka.....	Washer.....		
562	2	2	2	9838-9522-12	Skruv.....	Screw.....		
563	1	1	1	1111-3109-01	Trådbygel.....	Wire clamp.....		
564	1	1	1	1111-3108-01	Uppsamlingsäck.....	Collecting bag.....		



Utgåva Issue		Bildnr Picture No		TURBO 43 COMBI HJULUPPHÄNGNING		TURBO 43 COMBI WHEEL SUSPENSION		Sida Page	
2005- 12		1934						158	
Pos. Fig.	Antal/Quantity			Art nr Part No	Benämning	Description	Sats Kit	Anmärkning Notes	
	1103 -19	1181 -19							
251	2			9838-9522-12	Skruv	Screw			
252	1			1111-2798-01	Höjdinst. segment	Height adj. quadrant.....			
253	1			1111-3466-03	Framaxel	Front axle			
254	2			1111-1504-01	Överfall	Retainer			
255	2			9947-0616-16	Skruv	Screw			
256	2			1111-1138-01	Fjäder.....	Spring			
257	2			1111-2785-01	Täckbricka	Wheel cover			
258	2			1111-3296-01	• Kullager	• Ball bearing			
259	2			1111-2784-01	Hjul kpl	Wheel assy.....		Inkl. pos 258	
260	2			9699-0100-02	Bricka	Washer.....			
261	2			9943-0612-16	Skruv	Screw			
263	1			1111-2819-01	Fjäder.....	Spring			
264	2			9675-0011-00	Starlock	Starlock			
265	1			1111-2818-02	Dragstång	Height adjusting rod.....			
268	2			9943-0610-16	Skruv	Screw			
269	1			1111-2817-01	Handtag	Lever knob			
270	1			1111-2816-01	Spak	Height adj. lever			
271	2			1111-3060-01	Fjäder.....	Spring			
272	2			1111-2782-01	Täckbricka	Wheel cover			
275	2			1111-3296-01	• Kullager	• Ball bearing			
276	2			1111-2665-01	Hjul kpl	Wheel assy.....		Inkl. pos 275	
278	2			9699-0100-02	Bricka	Washer.....			
279	2			9943-0612-16	Skruv	Screw			
281	1			1111-2924-02	Axel	Axle			
282	2			9675-0017-02	Starlock	Lock washer			
283	2			9699-0037-02	Bricka	Washer.....			
291	2			1111-3443-01	Navkapsel- silver.....	Hub cap- silver			
292	2			1111-3444-01	Navkapsel- silver.....	Hub cap- silver			
293	1			1111-3114-01	Bakaxel	Rear axle			
294	2			1111-2814-01	Bussning	Bushing			
295	4			9947-0616-16	Skruv	Screw			