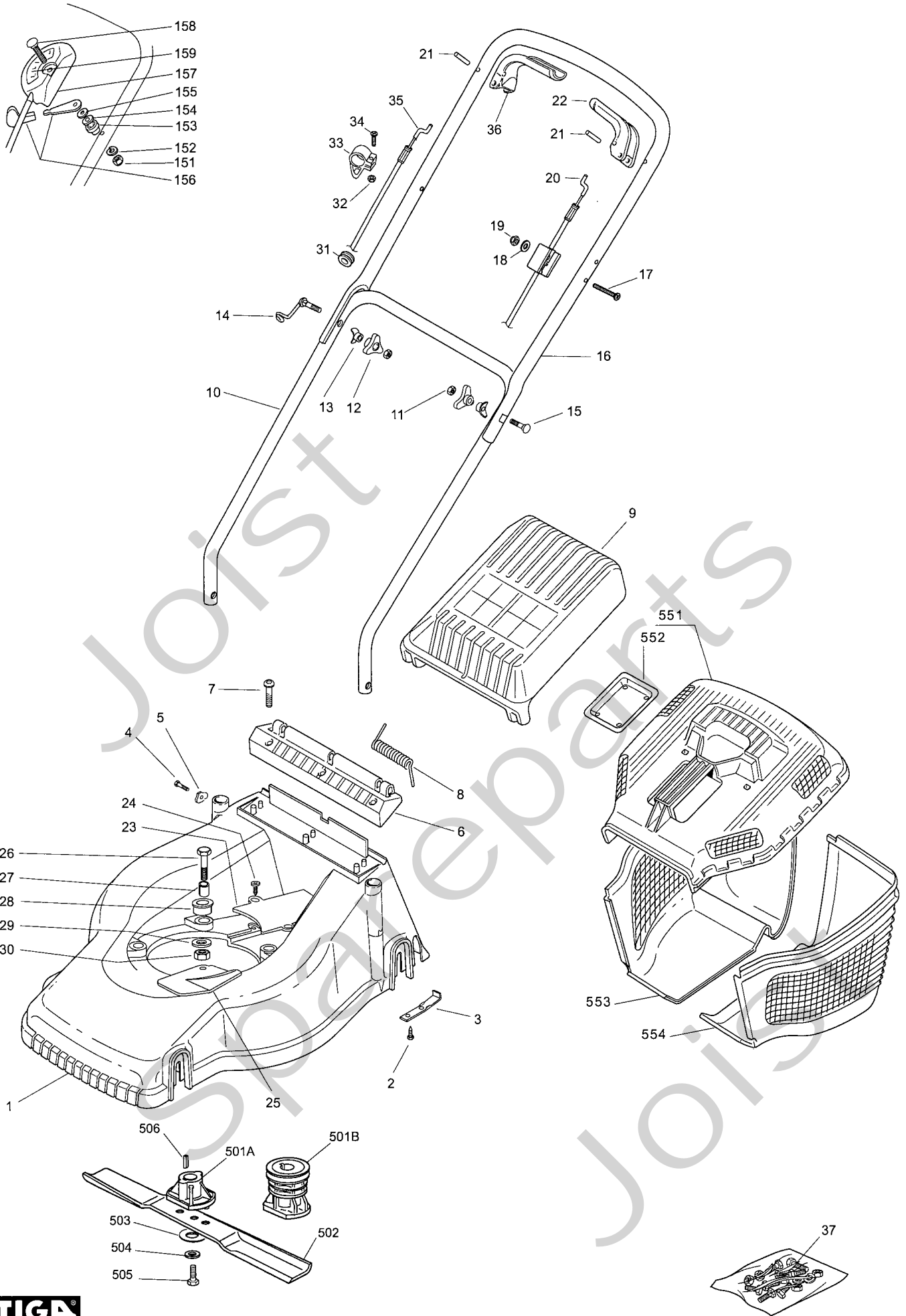


# Genuine Spare Parts

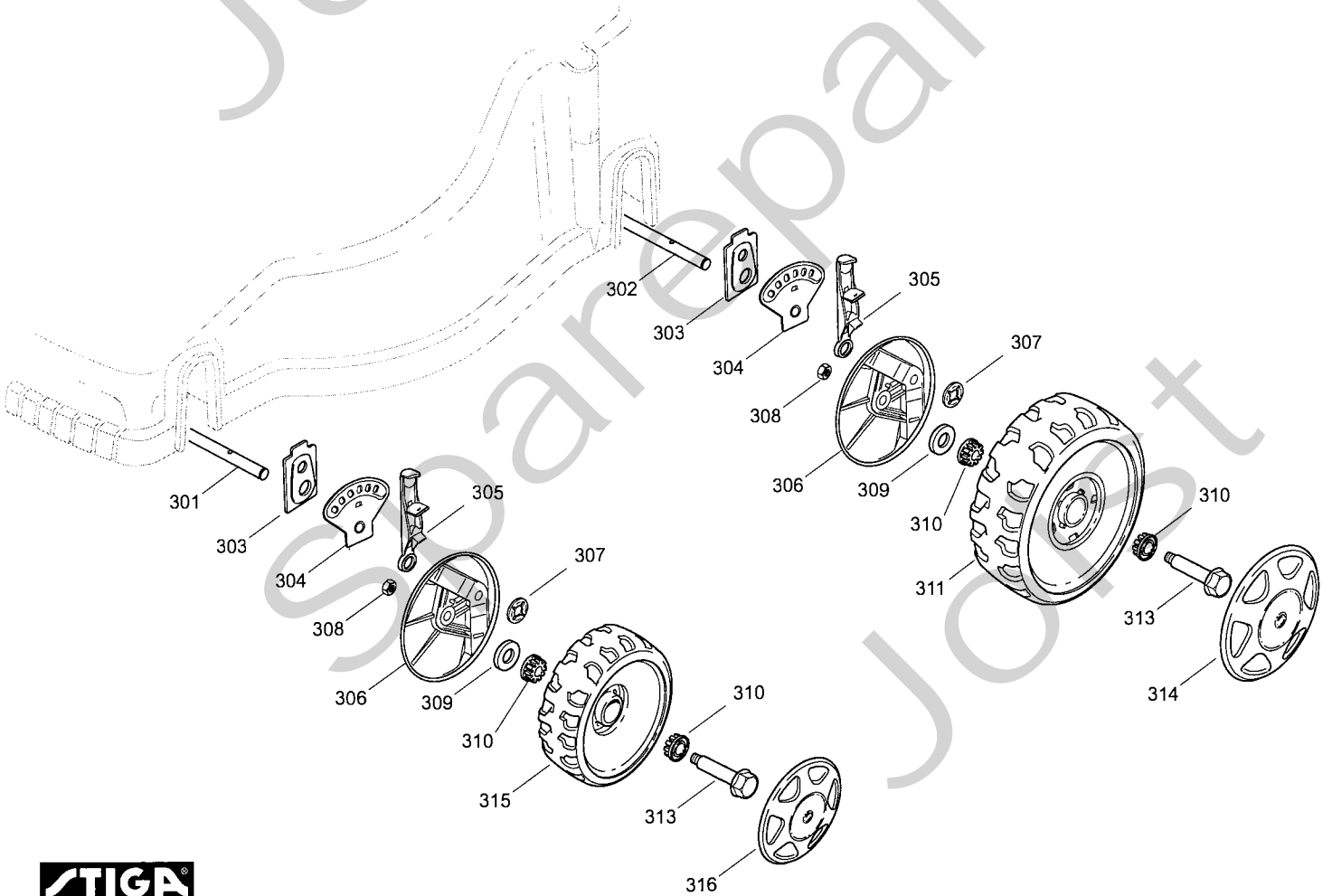
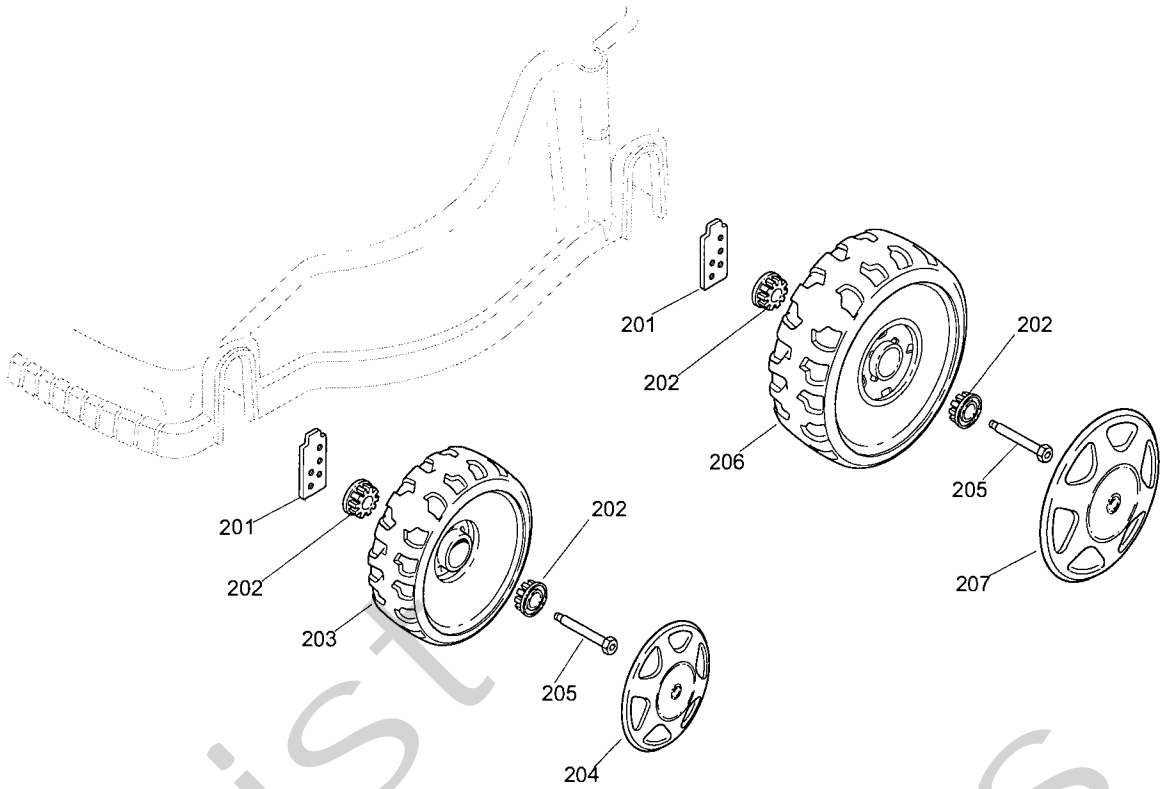
---



Joist  
Spareparts  
Joist



Utgåva Issue		Bildnr Picture No		COLLECTOR 43 COLLECTOR 43S CHASSI STYRE	COLLECTOR 43 COLLECTOR 43S CHASSIS HANDLE	Sida Page		
2006-12		1902				62		
Pos. Fig.	Antal/Quantity			Art nr Part No	Benämning	Description	Sats Kit	Anmärkning Notes
	2134 -12 -62	2334 -12 -62						
1	1	1		1136-1866-01	Chassi-gul.....	Chassis- yellow .....		
2	4	4		9836-9525-12	Skruv.....	Screw.....		
3	2	2		1136-1871-01	Förstärkning-bak.....	Reinforcement- rear .....		
4	2	2		1136-1418-01	Skruv.....	Screw.....		
5	2	2		1111-3136-02	Bricka.....	Washer.....		
6	1	1		1136-1873-01	Luckfäste.....	Flap holder.....		
7	3	3		9836-9516-12	Skruv.....	Screw.....		
8	1	1		1111-2792-01	Fjäder.....	Spring.....		
9	1	1		1111-3282-01	Lucka-gul.....	Flap- yellow.....		
10	1	1		1136-1879-01	Styre- underdel.....	Handle- lower.....		
11	2	2		9799-0831-02	Mutter.....	Nut.....		
12	2	2		1136-0666-01	Lås ratt.....	Knob.....		
13	2	2		1136-0693-01	Bricka.....	Washer.....		
14	1	1		1136-0747-01	Skruv m. ögla.....	Screw w. loop.....		
15	1	1		1136-0620-01	Skruv.....	Screw.....		
16	1	1		1136-1413-01	Styre- överdel.....	Handlebar- upper part.....		
17	1	1		9997-0635-12	Skruv.....	Screw.....		
18	1	1		9699-0035-02	Planbricka.....	Flat washer.....		
19	1	1		9799-0631-02	Mutter.....	Nut.....		
20	1	1		1136-1876-01	Motorbromswire.....	Engine brake cable.....		
21	1	2		9595-0258-00	Spännstift.....	Locating pin.....		
22	1	1		1117-3221-01	Manöverbygel.....	OPC lever.....		
23	1	1		1136-1864-01	Remskydd.....	Belt protection.....		
24	2	2		9836-9516-12	Skruv.....	Screw.....		
25	1	1		1136-1869-01	Ljuddämparskydd.....	Muffler guard.....		
26	3	3		1136-1862-01	Skruv.....	Screw.....		
27	3	3		1136-1867-01	Distans.....	Spacer.....		
28	1	1		1136-1863-01	Bussning.....	Bushing.....		
29	3	3		1136-0014-01	Bricka.....	Washer.....		
30	3	3		9747-0831-02	Mutter.....	Lock nut.....		
31		1		1136-1399-01	Kabelhylsa.....	Cable protector.....		
32		1		9799-0631-02	Mutter.....	Nut.....		
33		1		1117-1114-01	Wirehållare.....	Support.....		
34		1		9865-0616-16	Skruv.....	Screw.....		
35		1		1136-1877-01	Kopplingswire.....	Clutch cable.....		
36		1		1117-3222-01	Manöverbygel.....	Control lever.....		
X 37	1			1136-2339-01	Skruvsats.....	Screw set.....		
X 37		1		1136-2340-01	Skruvsats.....	Screw set.....		12-2334-12
X 37	1	1		1136-2408-01	Skruvsats.....	Screw set.....		12-2134-62, 2334-62
151	1	1		1136-0604-01	Mutter.....	Nut.....		
152	1	1		1136-0611-01	Låsbricka.....	Grower.....		
153	1	1		1136-0659-01	Distans.....	Spacer.....		
154	1	1		9699-0035-02	Planbricka.....	Flat washer.....		
155	1	1		1136-0606-01	Fjäderbricka.....	Spring washer.....		
156	1	1		1136-0766-01	Gasreglagearm.....	Throttle lever.....		
157	1	1		1136-1861-01	Gaswire.....	Throttle cable.....		
158	1	1		1136-0618-01	Skruv.....	Screw.....		
159	1	1		1136-1857-01	Dekal.....	Label.....		
501 A	1			1136-0672-01	Knivfäste.....	Hub.....		
501 B		1		1111-9120-01	Knivfäste m. remskiva.....	Hub w. pulley.....		
X 502	1	1		1111-9142-01	Kniv.....	Blade.....		
503	1	1		1136-0083-01	Fjäderbricka.....	Elastic washer.....		
504	1	1		1136-0015-01	Bricka.....	Washer.....		
505	1	1		1136-0616-01	Bult.....	Screw.....		
506	1	1		9600-0014-00	Kil.....	Key.....		
551	1	1		1117-1345-01	Uppsamlarlock- gul.....	Top collector- yellow.....		
552	1	1		1111-2764-01	• Täckbricka.....	• Cover.....		
553	1	1		1111-3116-01	Uppsamlare u- del hö.....	Collector- lower part.....		
554	1	1		1111-3106-01	Uppsamlare u- del vä.....	Collector- lower part.....		



Utgåva Issue		Bildnr Picture No		COLLECTOR 43 HJULUPPHÄNGNING	COLLECTOR 43 WHEEL SUSPENSION	Sida Page		
2006-12		2107				64		
Pos. Fig.	Antal/Quantity			Art nr Part No	Benämning	Description	Sats Kit	Anmärkning Notes
	2134 -12	2134 -62						
X	201	4		1111-2767-02	Fästbleck .....	Wheel plate .....		
X	202	8		1136-2263-01	Bussning .....	Bushing .....		
X	203	2		1136-2014-01	Hjul .....	Wheel .....		
X	204	2		1136-1894-01	Navkapsel- gul .....	Hub cap- yellow .....		
X	205	4		1136-2309-01	Bult .....	Bolt .....		
X	206	2		1136-2015-01	Hjul .....	Wheel .....		
	207	2		1136-0646-01	Navkapsel- gul .....	Hub cap- yellow .....		
	301		1	1117-1380-01	Hjulaxel .....	Wheel shaft .....		
	302		1	1117-1381-01	Hjulaxel .....	Shaft .....		
	303	4		1117-1379-01	Hjulplåt .....	Wheel plate .....		
	304	4		1117-1382-01	Segmentplåt .....	Sector .....		
	305	4		1117-1228-01	Inställningsspak .....	Adjusting lever .....		
	306	4		1117-1376-01	Hjulsköld .....	Wheel lever .....		
	307	4		1117-1356-01	Låsbricka .....	Lock washer .....		
	308	4		9747-0831-02	Mutter .....	Lock nut .....		
	309	4		1136-0309-01	Bricka .....	Washer .....		
	310	8		1136-0634-01	Bussning .....	Bush .....		
X	311	2		1136-2015-01	Hjul .....	Wheel .....		
X	313	4		1136-2041-01	Hjulsbult .....	Wheel axle bolt .....		
	314	2		1136-0646-01	Navkapsel- gul .....	Hub cap- yellow .....		
X	315	2		1136-2014-01	Hjul .....	Wheel .....		
	316	2		1136-1894-01	Navkapsel- gul .....	Hub cap- yellow .....		