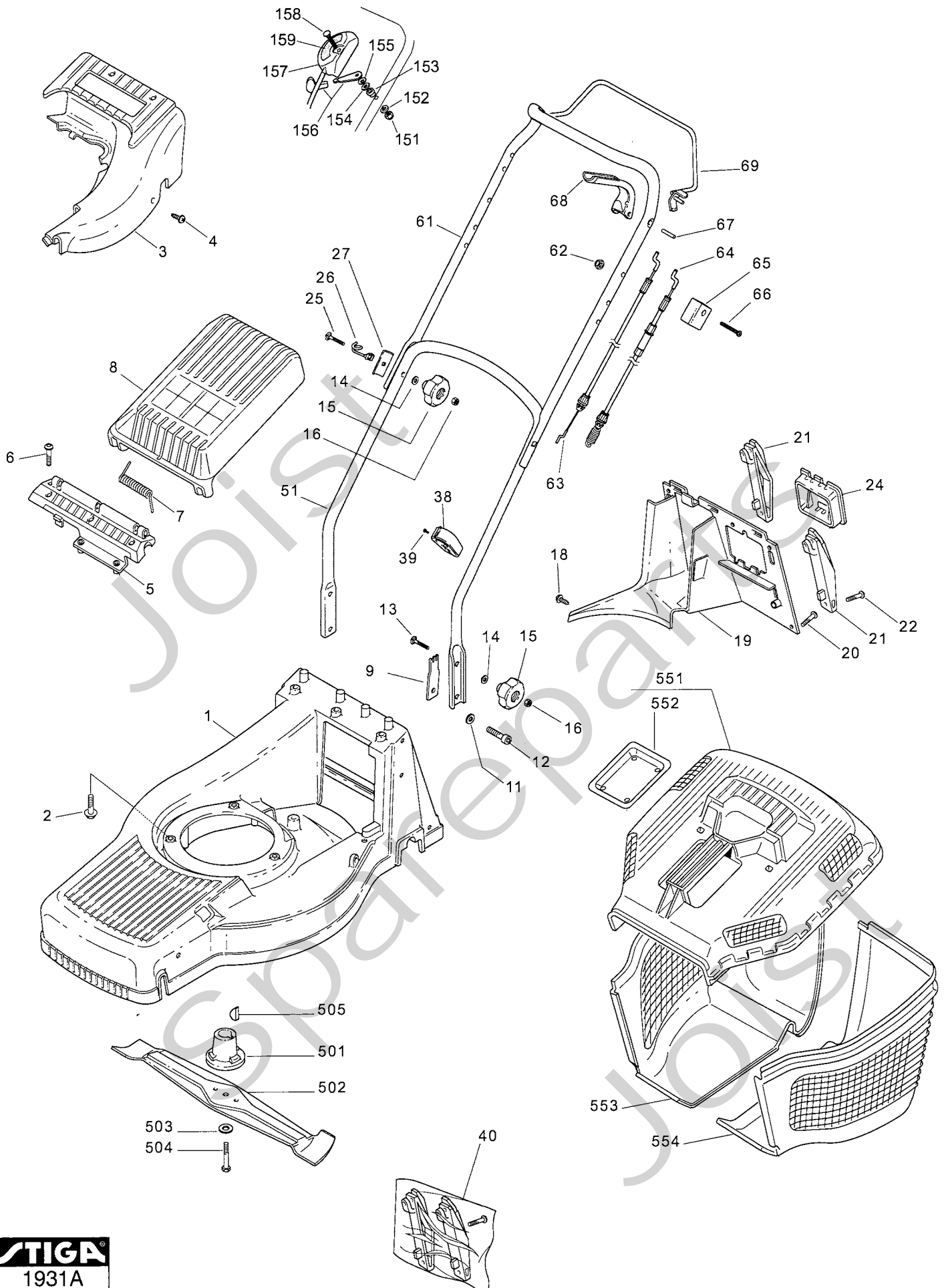


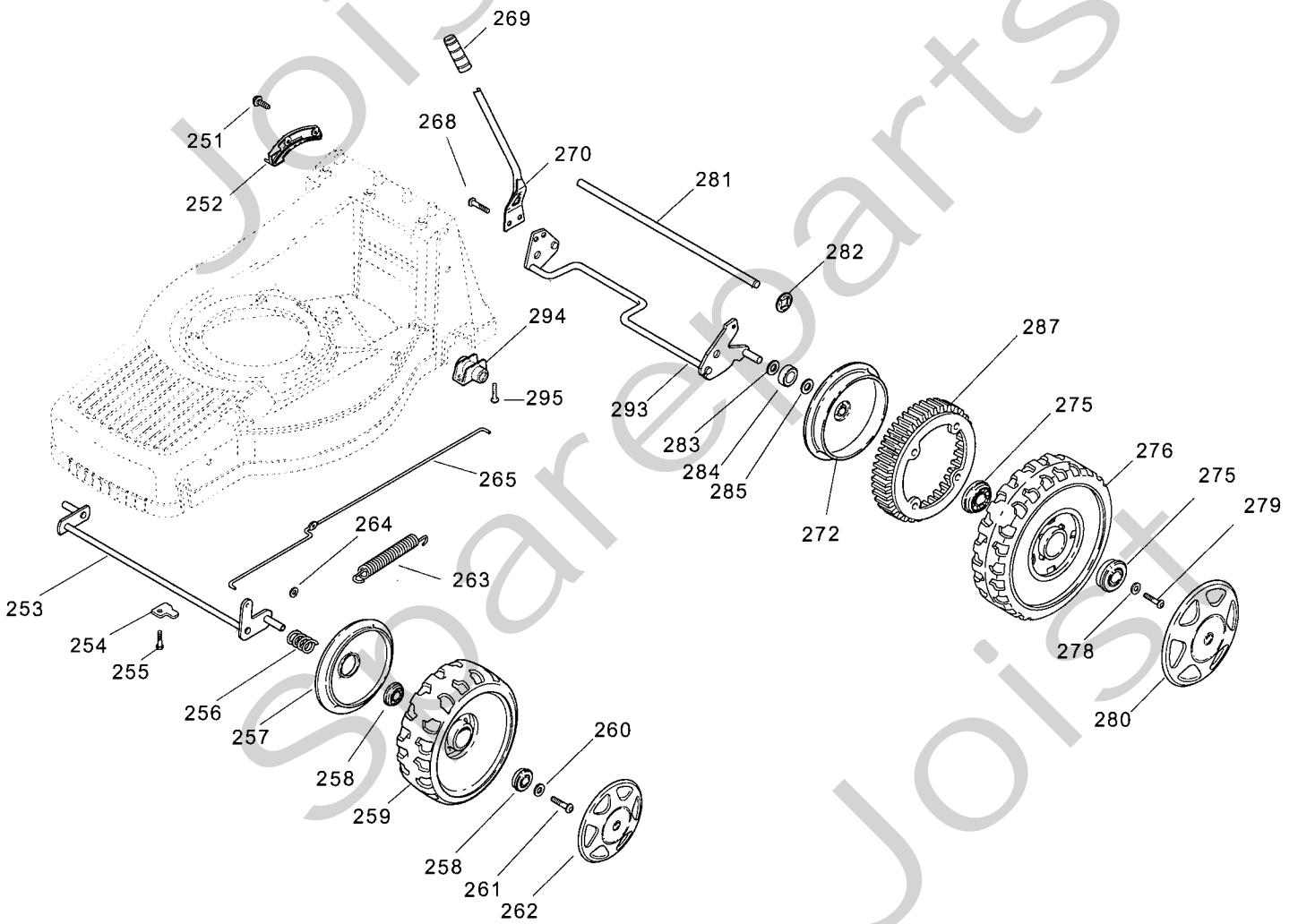
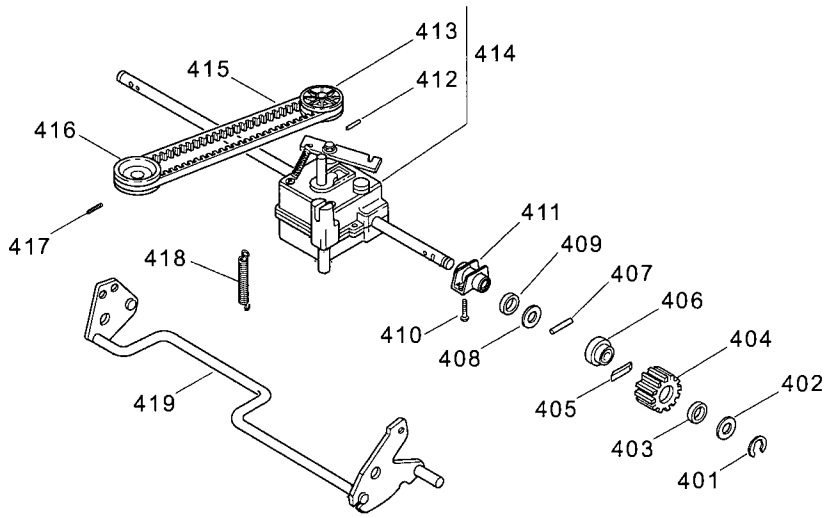
Genuine Spare Parts



Joist
Spareparts
Joist



Utgåva Issue		Bildnr Picture No		COLLECTOR 45 COLLECTOR 45S CHASSI STYRE		COLLECTOR 45 COLLECTOR 45S CHASSIS HANDLE		Sida Page
2006-12		1931A						150
Pos. Fig.	Antal/Quantity		Art nr Part No	Benämning	Description	Sats Kit	Anmärkning Notes	
	1134 -20	1234 -20						
1	1	1	1111-3100-01	Chassi-gul.....	Chassis- yellow			
2	3	3	9955-3732-12	Skruv.....	Screw.....			
3	1	1	1111-3102-01	Täckåpa-gul.....	Cover- yellow			
4	3	3	9838-9522-12	Skruv.....	Screw.....			
5	1	1	1111-3104-01	Luckinfästning-gul.....	Flap attachm.- yellow			
6	3	3	9947-0616-16	Skruv.....	Screw.....			
7	1	1	1111-3181-01	Fjäder.....	Spring.....			
8	1	1	1111-3282-01	Lucka-gul.....	Flap- yellow			
9	1	1	1111-3024-01	Fästplatta.....	Attachment plate.....			
11	2	2	9699-0028-02	Planbricka.....	Flat washer.....			
12	2	2	9939-0820-16	Skruv.....	Screw.....			
13	2	2	9899-3557-12	Skruv.....	Screw.....			
14	4	4	9699-0028-02	Planbricka.....	Flat washer.....			
15	4	4	1111-3023-01	Låsratt.....	Locking knob.....			
16	4	4	9795-3531-02	Mutter.....	Nut.....			
18	1	1	9838-9522-12	Skruv.....	Screw.....			
19	1	1	1111-3337-01	Bakstam.....	Rear attachment.....			
20	3	3	9947-0616-16	Skruv.....	Screw.....			
X 21	1	1	1136-2044-01	Hållare, vä+hö.....	Attachment, LH+RH.....			
22	4	4	9836-9520-12	Skruv.....	Screw.....			
24	1	1	1111-2927-01	Batterihållare.....	Battery holder.....			
25	2	2	9899-3557-12	Skruv.....	Screw.....			
26	1	1	1111-3062-01	Ögla.....	Eyelink.....			
27	2	2	1111-0178-00	Förstärkning.....	Reinforcement.....			
38	1	1	1111-2018-01	Kabelhållare.....	Cable holder.....			
39	1	1	9836-9216-12	Skruv.....	Screw.....			
40	1	1	1111-3569-01	Tillbehörspåse.....	Accessory bag.....			
51	1	1	1111-3248-01	Styre- underdel.....	Handlebar- lower part.....			
61	1	1	1117-1095-01	Styre- överdel.....	Handle- upper part.....			
X 62	1	1	9747-0631-02	Låsmutter.....	Lock nut.....			
63	1	1	1136-2439-01	Motorbromswire.....	Engine brake cable.....			
64	1	1	1111-3387-01	Kopplingswire.....	Clutch cable.....			
65	1	1	1111-2969-01	Wirefäste.....	Cable attachment.....			
66	1	1	9948-0640-16	Skruv.....	Screw.....			
67	1	1	9595-0258-00	Spännstift.....	Locating pin.....			
68	1	1	1117-3221-01	Manöverbygel.....	OPC lever.....			
69	1	1	1117-1374-01	Manöverbygel.....	Control handle.....			
151	1	1	1136-0604-01	Mutter.....	Nut.....			
152	1	1	1136-0611-01	Låsbricka.....	Grower.....			
153	1	1	1136-0659-01	Distans.....	Spacer.....			
154	1	1	9699-0035-02	Planbricka.....	Flat washer.....			
155	1	1	1136-0606-01	Fjäderbricka.....	Spring washer.....			
156	1	1	1136-0766-01	Gasreglagearm.....	Throttle lever.....			
157	1	1	1136-0764-01	Gasreglagekabel.....	Throttle cable.....			
158	1	1	1136-0618-01	Skruv.....	Screw.....			
159	1	1	1136-1857-01	Dekal.....	Label.....			
501	1	1	1111-9070-01	Knivfäste.....	Blade holder.....			
502	1	1	1111-9089-01	Kniv.....	Blade.....			
503	1	1	9696-0011-01	Bricka.....	Washer.....			
504	1	1	9987-5251-12	Skruv.....	Screw.....			
505	1	1	9600-0014-00	Kil.....	Key.....			
551	1	1	1117-1345-01	Uppsamlarlock-gul.....	Top collector- yellow			
552	1	1	1111-2764-01	• Täckbricka.....	• Cover.....			
553	1	1	1111-3116-01	Uppsamlare u- del hö.....	Collector- lower part			
554	1	1	1111-3106-01	Uppsamlare u- del vä.....	Collector- lower part			



Utgåva Issue		Bildnr Picture No		COLLECTOR 45 COLLECTOR 45S TRANSMISSION HJULUPPHÄNGNING		COLLECTOR 45 COLLECTOR 45S TRANSMISSION WHEEL SUSPENSION		Sida Page	
2006- 12		1932A						152	
Pos. Fig.	Antal/Quantity			Art nr Part No	Benämning	Description	Sats Kit	Anmärkning Notes	
	1134 -20	1234 -20							
X	251	2	2	9838-9522-12	Skruv	Screw			
	252	1	1	1111-2798-01	Höjdinst. segment	Height adj. quadrant			
	253	1	1	1136-2039-01	Framaxel	Front axle			
	254	2	2	1111-1504-01	Överfall	Retainer			
	255	2	2	9947-0616-16	Skruv	Screw			
	256	2	2	1111-1138-01	Fjäder	Spring			
	257	2	2	1117-1161-01	Hjulsköld	Wheel protection			
	258	4	4	1136-0655-01	Kullager	Ball bearing			
X	259	2	2	1136-2014-01	Hjul	Wheel			
	260	2	2	9699-0100-02	Bricka	Washer			
	261	2	2	9943-0612-16	Skruv	Screw			
	262	2	2	1136-1894-01	Navkapsel-gul	Hub cap-yellow			
	263	1	1	1111-2819-01	Fjäder	Spring			
	264	2	2	9675-0011-00	Starlock	Starlock			
	265	1	1	1111-2818-02	Dragstång	Height adjusting rod			
	268	2	2	9943-0610-16	Skruv	Screw			
	269	1	1	1111-2817-01	Handtag	Lever knob			
	270	1	1	1111-2816-01	Spak	Height adj.lever			
	272	2	2	1111-2782-01	Täckbricka	Wheel cover			
	275	4	4	1136-0655-01	Kullager	Ball bearing			
X	276	2	2	1136-2037-01	Hjul	Wheel			
	278	2	2	9699-0100-02	Bricka	Washer			
	279	2	2	9943-0612-16	Skruv	Screw			
	280	2	2	1136-0646-01	Navkapsel-gul	Hub cap-yellow			
	281	1	1	1111-2924-02	Axel	Axle			
	282	2	2	1117-1356-01	Låsbricka	Lock washer			
	283	2	2	9695-0013-00	Bricka	Washer			
X	284	2	2	1136-2036-01	Distans	Spacer			
	285	2	2	9694-0003-00	Bricka	Washer			
X	287	2	2	1136-2035-01	Kuggkrans	Sprocket			
X	293	1	1	1136-2038-01	Bakaxel	Rear axle			
	294	2	2	1111-2814-01	Bussning	Bushing			
	295	4	4	9947-0616-16	Skruv	Screw			
	401		2	9652-0010-04	Låsring	Snap ring			
	402		2	9695-0013-00	Bricka	Washer			
	403		2	1111-2830-01	Stödbricka	Support washer			
	404		2	1111-3075-01	Kugghjul-plasthjul	Pinion-plastic wheel			
	405		2	1111-3256-01	Drivkil	Drive key			
	406		2	1111-2829-01	Låsbricka	Lock washer			
	407		2	1111-2382-01	Cyl.pinne	Pin			
	408		2	9695-0013-00	Bricka	Washer			
	409		2	9404-0083-00	Tättningsring	Seal ring			
	410		4	9947-0616-16	Skruv	Screw			
	411		2	1111-2814-01	Bussning	Bushing			
	412		1	9595-0235-00	• Spännstift	• Locating pin			
	413		1	1111-3440-01	• Remskiva	• Belt pulley			
	414		1	1111-3402-01	Transmission kpl	Transmission assy	Inkl. pos 412 - 413		
	415		1	1111-9053-01	Drivrem	Drive belt			
	416		1	1111-2915-01	Motorremskiva	Engine belt pulley			
	417		1	9910-0612-16	Stoppsskruv	Set screw			
	418		1	1111-2822-01	Dragfjäder	Tension spring			
X	419		1	1136-2038-01	Bakaxel	Rear axle			