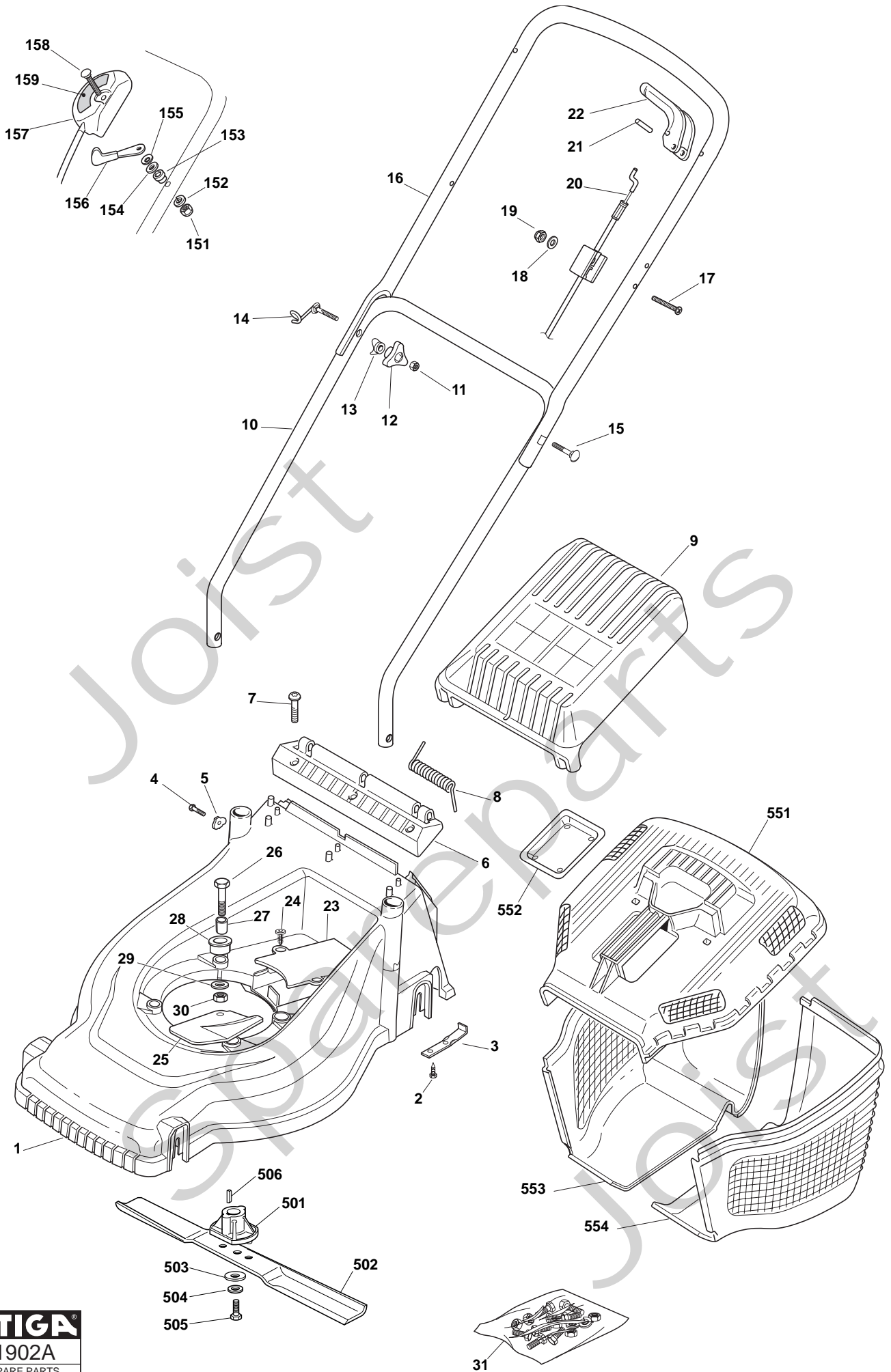


# Genuine Spare Parts

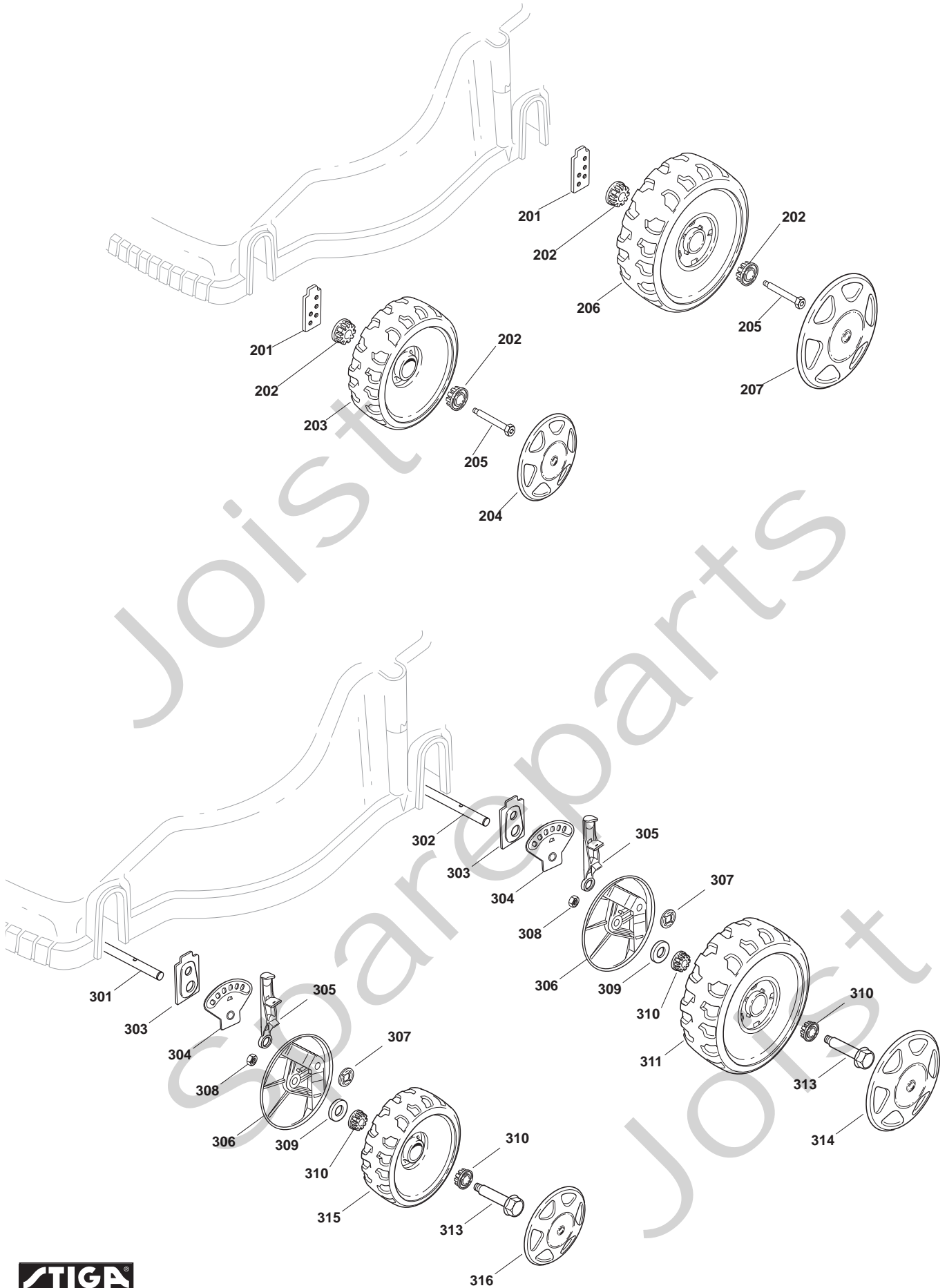
---



Joist  
Spareparts  
Joist



Utgåva Issue 2007- 12		Bildnr Picture No 1902A		COLLECTOR 43 BAUHAUS HB 41R CHASSI STYRE		COLLECTOR 43 BAUHAUS HB 41R CHASSIS HANDLE		Sida Page 62	
Pos. Fig.	Antal/Quantity			Art nr Part No	Benämning	Description	Sats Kit	Anmärkning Notes	
	2134 -13	2134 -63	2534 -53						
1			1	22066700/0	Chassi- röd .....	Chassis- red .....			
1	1	1		22066704/0	Chassi- gul.....	Chassis- yellow .....			
2	4	4	4	12728680/0	Skruv .....	Screw .....			
3	2	2	2	22608531/0	Förstärkning- bak.....	Reinforcement- rear .....			
4	2	2	2	12728450/0	Skruv .....	Screw .....			
5	2	2	2	22545135/0	Platta .....	Plate .....			
6			1	22785165/0	Hållare .....	Support .....			
6	1	1		22785194/0	Hållare .....	Support .....			
7	3	3	3	12728686/0	Skruv .....	Screw .....			
8	1	1	1	22450430/0	Fjäder.....	Spring .....			
9			1	22600079/0	Lucka.....	Stone guard .....			
9	1	1		22600080/0	Lucka- gul.....	Stone guard- yellow .....			
10	1	1	1	81006609/0	Styre- underdel .....	Handle- lower .....			
11	2	2	2	12293200/0	Mutter.....	Nut .....			
12	2	2	2	22399900/0	Låsrott .....	Locking knob .....			
13	2	2	2	22680006/1	Bricka .....	Washer.....			
14	1	1	1	81003801/1	Snörhållare .....	Rope holder .....			
15	1	1	1	12819201/0	Skruv .....	Screw .....			
16	1	1	1	81006577/0	Styre- överdel .....	Handle- upper.....			
17	1	1	1	12674700/0	Skruv .....	Screw .....			
18	1	1	1	12521330/0	Bricka .....	Washer.....			
19	1	1	1	12292100/0	Mutter.....	Nut .....			
20	1	1	1	81000614/0	Motorbromswire.....	Engine brake cable .....			
21	1	1	1	12645710/0	Stift.....	Pin .....			
22	1	1	1	22321700/0	Handtag .....	Control handle.....			
23	1	1	1	22060171/0	Remskydd .....	Belt protection.....			
24	2	2	2	12728686/0	Skruv .....	Screw .....			
25	1	1	1	22484070/1	Ljuddämparskydd.....	Muffler guard .....			
26	3	3	3	12691900/0	Skruv .....	Screw .....			
27	3	3	3	22167842/0	Distans .....	Spacer.....			
28	1	1	1	22040265/0	Bussning .....	Bushing.....			
29	3	3	3	12523070/0	Bricka .....	Washer.....			
30	3	3	3	12155000/0	Mutter.....	Nut .....			
31		1		81008661/1	Skruvsats.....	Screw set .....			
31	1		1	81008679/0	Skruvsats.....	Screw set .....			
151	1	1	1	12291000/0	Mutter.....	Nut .....			
152	1	1	1	12581500/0	Låsbricka .....	Washer.....			
153	1	1	1	22171005/0	Distans .....	Spacer.....			
154	1	1	1	12521360/0	Bricka .....	Washer.....			
155	1	1	1	12508100/0	Låsbricka .....	Washer.....			
156	1	1	1	81007220/0	Gasarm.....	Throttle lever.....			
157	1	1	1	81007080/0	Gaswire .....	Throttle cable .....			
158	1	1	1	12815000/0	Skruv .....	Screw .....			
159	1	1	1	14356702/0	Dekal .....	Label .....			
501	1	1	1	1111- 9168- 01	Knivfäste.....	Blade holder .....			
502	1	1	1	1111- 9142- 01	Kniv .....	Blade .....			
503	1	1	1	22160400/0	Bricka .....	Elastic washer .....			
504	1	1	1	12523080/0	Bricka .....	Washer.....			
505	1	1	1	12735698/0	Skruv .....	Screw .....			
506	1	1	1	12139100/0	Kil .....	Key .....			
551			1	22486115/0	Uppsamlare- överdel.....	Grassbox- upper.....			
551	1	1		22486116/0	Uppsamlare- överdel.....	Grassbox- upper.....			
552	1	1	1	22486098/0	Platta .....	Plate .....			
553	1	1	1	22486120/0	Uppsamlare- undre, hö .....	Grassbox- lower RH .....			
554	1	1	1	22486119/0	Uppsamlare- undre, vä.....	Grassbox- lower LH.....			



Utgåva Issue 2007- 12		Bildnr Picture No 2107		COLLECTOR 43 BAUHAUS HB 41R HJULUPPHÄNGNING		COLLECTOR 43 BAUHAUS HB 41R WHEEL SUSPENSION		Sida Page 64	
Pos. Fig.	Antal/Quantity			Art nr Part No	Benämning	Description	Sats Kit	Anmärkning Notes	
	2134 -13	2134 -63	2534 -53						
201	4		4	22785093/0	Hjulhållare .....	Wheel support.....			
202	8		8	22034515/1	Bussning .....	Bushing.....			
203	2		2	22686091/1	Hjul .....	Wheel.....			
204			2	22110344/0	Navkapsel- vit .....	Hub cap- white .....			
204	2			22110394/0	Navkapsel .....	Hub cap.....			
204			2	22110395/0	Navkapsel- grå .....	Hub cap- grey.....			
205	4		4	22524340/0	Hjulbult .....	Wheel bolt.....			
206	2		2	22686092/0	Hjul .....	Wheel.....			
207	2			22110309/0	Navkapsel .....	Hub cap.....			
207			2	22110313/0	Navkapsel- vit .....	Hub cap- white .....			
207			2	22110314/0	Navkapsel- grå .....	Hub cap- grey.....			
301		1		22033363/0	Hjulaxel.....	Wheel axle.....			
302		1		22033362/0	Hjulaxel.....	Wheel axle.....			
303		4		22785135/0	Hållare .....	Support .....			
304		4		22735555/0	Höjdinst.sektor .....	Height adjust sector .....			
305		4		81003306/0	Inställningsspak.....	Lever .....			
306		4		22600096/0	Hjulskydd.....	Wheel cover .....			
307		4		22020050/0	Låsbricka .....	Starlock washer .....			
308		4		12155000/0	Mutter .....	Nut .....			
309		4		25670011/0	Bricka .....	Washer.....			
310		8		22034508/0	Bussning .....	Bushing.....			
311		2		22686092/0	Hjul .....	Wheel.....			
313		4		22524341/0	Hjulbult.....	Wheel bolt.....			
314		2		22110394/0	Navkapsel .....	Hub cap.....			
315		2		22686091/1	Hjul .....	Wheel.....			
316		2		22110309/0	Navkapsel .....	Hub cap.....			