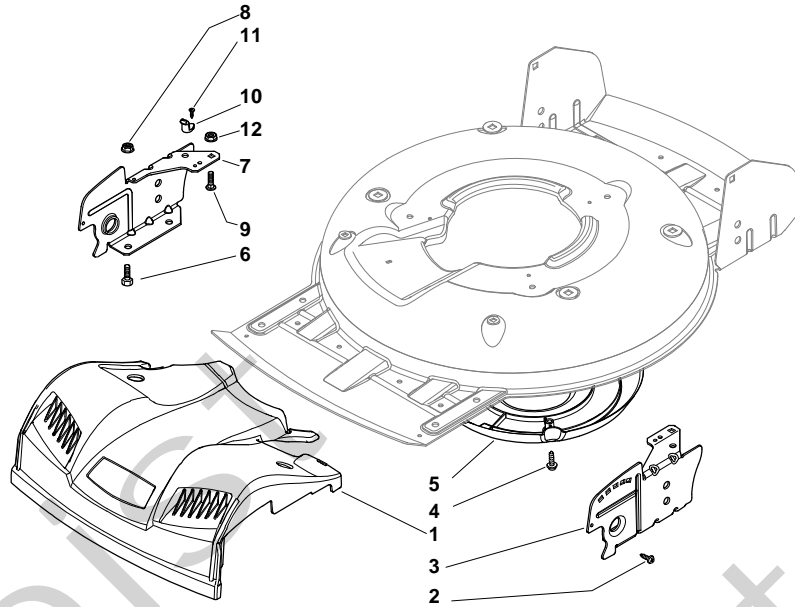


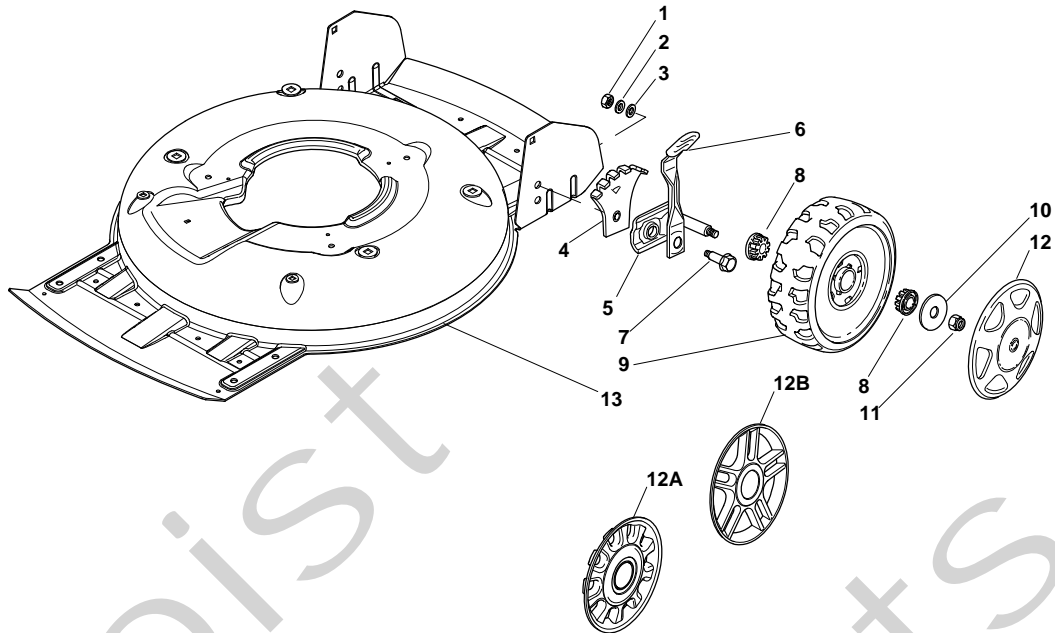
Genuine Spare Parts

MULTICLIP 50 B

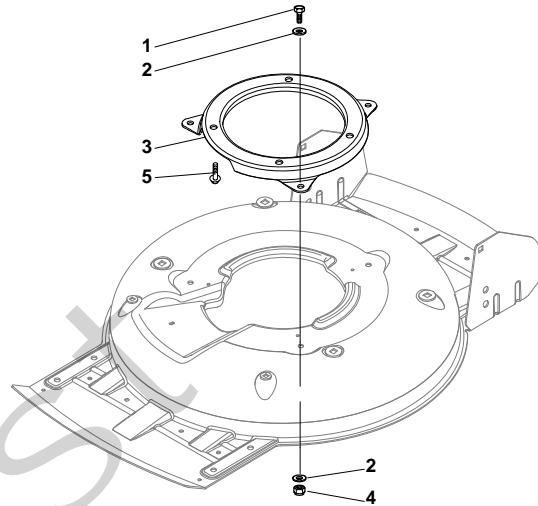




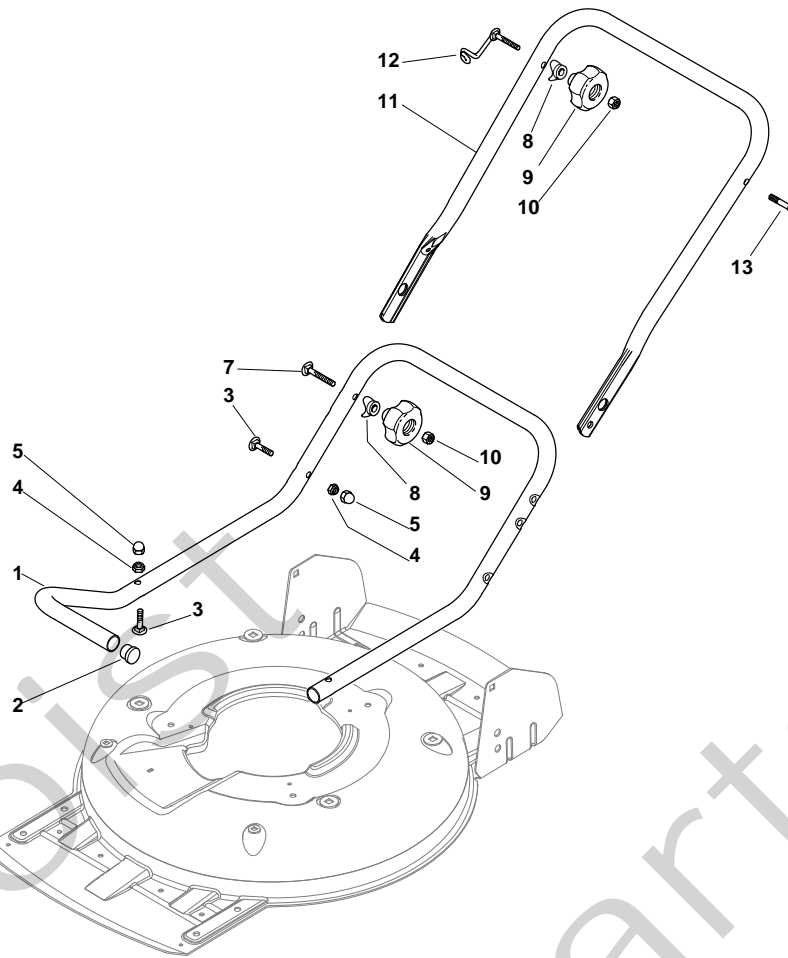
Pos. Fig.	Antal Quantity	Art No Part No	Benämning	Description	Anmärkning Notes
1	1	322226097/1	Frontklåpa-gul	Mask, Yellow	
1	1	322226098/1	Frontklåpa-grå	Mask, Grey	
2	2	12728523/0	Skruv	Screw	
3	1	22778421/0	Fäste-vä	Bracket, L	
4	3	12728530/0	Skruv	Screw	
5	1	22060220/0	Skydd	Protection	
6	4	12792611/0	Skruv	Screw	
7	1	22778419/0	Fäste-hö	Bracket, R	
8	4	12293201/0	Mutter	Nut	
9	2	12815200/0	Skruv	Screw	
10	2	22020400/0	Hållare	Fairlead	
11	2	12728523/0	Skruv	Screw	
12	2	12292102/0	Mutter	Nut	

MULTICLIP 50 B - Model Year 2009


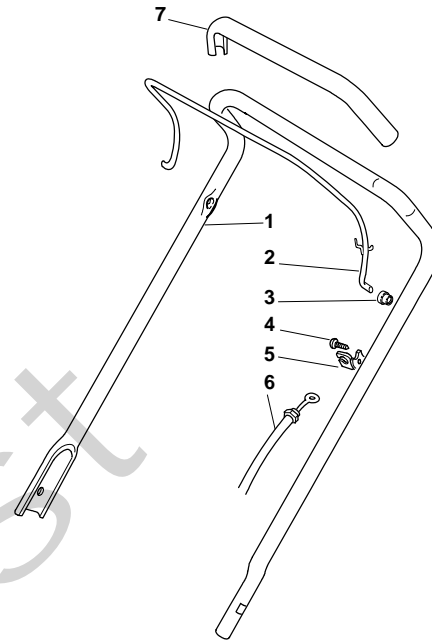
Pos. Fig.	Antal Quantity	Art No Part No	Benämning	Description	Anmärkning Notes
1	4	12293200/0	Mutter	Nut	
2	4	12583500/0	Låsbricka	Grower	
3	4	12523070/0	Bricka	Washer	
4	4	22735547/0	Höjdinställ.sektor	Sector, Height Adjustment	
5	4	81005082/0	Hjulfäste	Support, Wheel	
6	4	81003286/0	Höjdinställ.spak	Lever, Height Adjustment	
7	4	22519811/0	Bult	Pin	
8	8	22034508/0	Bussning	Bush	
8	8	22122200/0	Kullager	Bearing	
9	2	22686092/0	Hjul	Wheel	
10	4	12523060/0	Bricka	Washer	
11	4	12155000/0	Mutter	Nut	
12	4	22110309/0	Navkapsel	Hub Cap	
12B	4	22110492/0	Navkapsel	Hub Cap Grey	
12A	4	322110594/0	Navkapsel	Hub Cap	
13	1	81002907/1	Chassi	Deck Yellow	



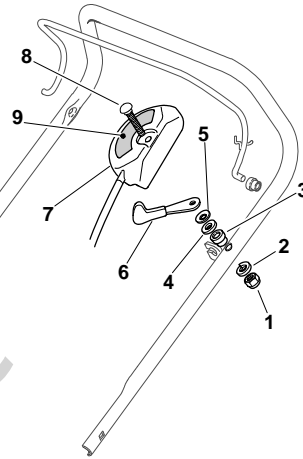
Pos. Fig.	Antal Quantity	Art No Part No	Benämning	Description	Anmärkning Notes
1	3	12792611/0	Skruv	Screw	
2	6	12523060/0	Bricka	Washer	
3	1	322207219/1	Fläns	Flange	
4	3	12293201/0	Mutter	Nut	
5	3	112735108/1	Skruv	Screw	

MULTICLIP 50 B - Model Year 2009


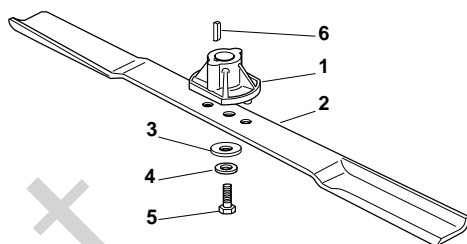
Pos. Fig.	Antal Quantity	Art No Part No	Benämning	Description	Anmärkning Notes
1	1	81006667/0	Styre-underdel	Handle, Lower Part	
2	2	18566110/0	Plugg	Cap	
3	4	12818900/0	Skruv	Screw	
4	4	12155000/0	Mutter	Nut	
5	4	18203854/0	Tätningshylsa	Protection	
6	4	12818900/0	Skruv	Screw	
7	2	12819201/0	Skruv	Screw	
8	4	22680006/1	Bricka	Washer	
9	4	322399804/1	Knopp	Knob	
10	4	12293200/0	Mutter	Nut	
11	1	81006668/0	Styre-mellandel	Handle, Middle Part	
12	1	81003801/1	Snörhillare	Guide Spring	
13	1	12819201/0	Skruv	Screw	



Pos. Fig.	Antal Quantity	Art No Part No	Benämning	Description	Anmärkning Notes
1	1	81007018/1	Styre-överdel	Handle, Upper Part	
2	1	81003291/3	Reglagebygel	Lever, Engine Brake	
3	2	22041966/0	Bussning	Bush	
4	1	12728518/0	Skruv	Screw	
5	1	22806612/0	Fäste	Support	
6	1	81000631/0	Motorbromswire	Cable, Thread Motor Brake	(B&S 450-500 Series)
6	1	81000631/0	Motorbromswire	Cable, Thread Motor Brake	
6	1	81000634/0	Motorbromswire	Cable, Thread Engine Brake	(Ggp 140cc)
6	1	81000634/0	Motorbromswire	Cable, Thread Engine Brake	
7	1	22291050/0	Handtag	Handgrip Black	



Pos. Fig.	Antal Quantity	Art No Part No	Benämning	Description	Anmärkning Notes
1	1	12291000/0	Mutter	Nut	
2	1	12581500/0	Låsbricka	Grower	
3	1	22171005/0	Distans	Spacer	
4	1	12521360/0	Bricka	Washer	
5	1	12508100/0	Låsbricka	Washer	
6	1	81007220/0	Gasarm	Lever, Throttle	(B&S 450-500 Series - Ggp 150 cc)
6	1	81007220/0	Gasarm	Lever, Throttle	
6	1	81007279/1	Gasarm	Lever, Throttle	(B&S 625-675-700 Series - Honda - Ggp 140-160-196 cc)
6	1	81007279/1	Gasarm	Lever, Throttle	
7	1	81007080/0	Gaswire	Cable, Throttle	
8	1	12815000/0	Skruv	Screw	
9	1	114356905/0	Dekal	Label	
9	1	114356905/0	Dekal	Label	(Honda GCV 160-190 Autochoke)
9	1	114356905/0	Dekal	Label	(B&S 700 series DOV)
9	1	114364264/0	Dekal	Label	
9	1	114364264/0	Dekal	Label	AVS (GGP 160-196)
9	1	14356702/0	Dekal	Label	
9	1	14356702/0	Dekal	Label	(Honda)
9	1	14356702/0	Dekal	Label	(GGP)
9	1	14356703/0	Dekal	Label	
9	1	14356703/0	Dekal	Label	(B&S)



Pos. Fig.	Antal Quantity	Art No Part No	Benämning	Description	Anmärkning Notes
1	1	22463012/2	Nav	Hub	
2	1	81004146/0	Kniv	Blade Winged	
3	1	22160400/0	Bricka	Elastic Washer	
4	1	12523080/0	Bricka	Washer	
5	1	12735698/0	Skruv	Screw	
6	1	12139100/0	Kil	Key	