

Genuine Spare Parts

www.stiga.com

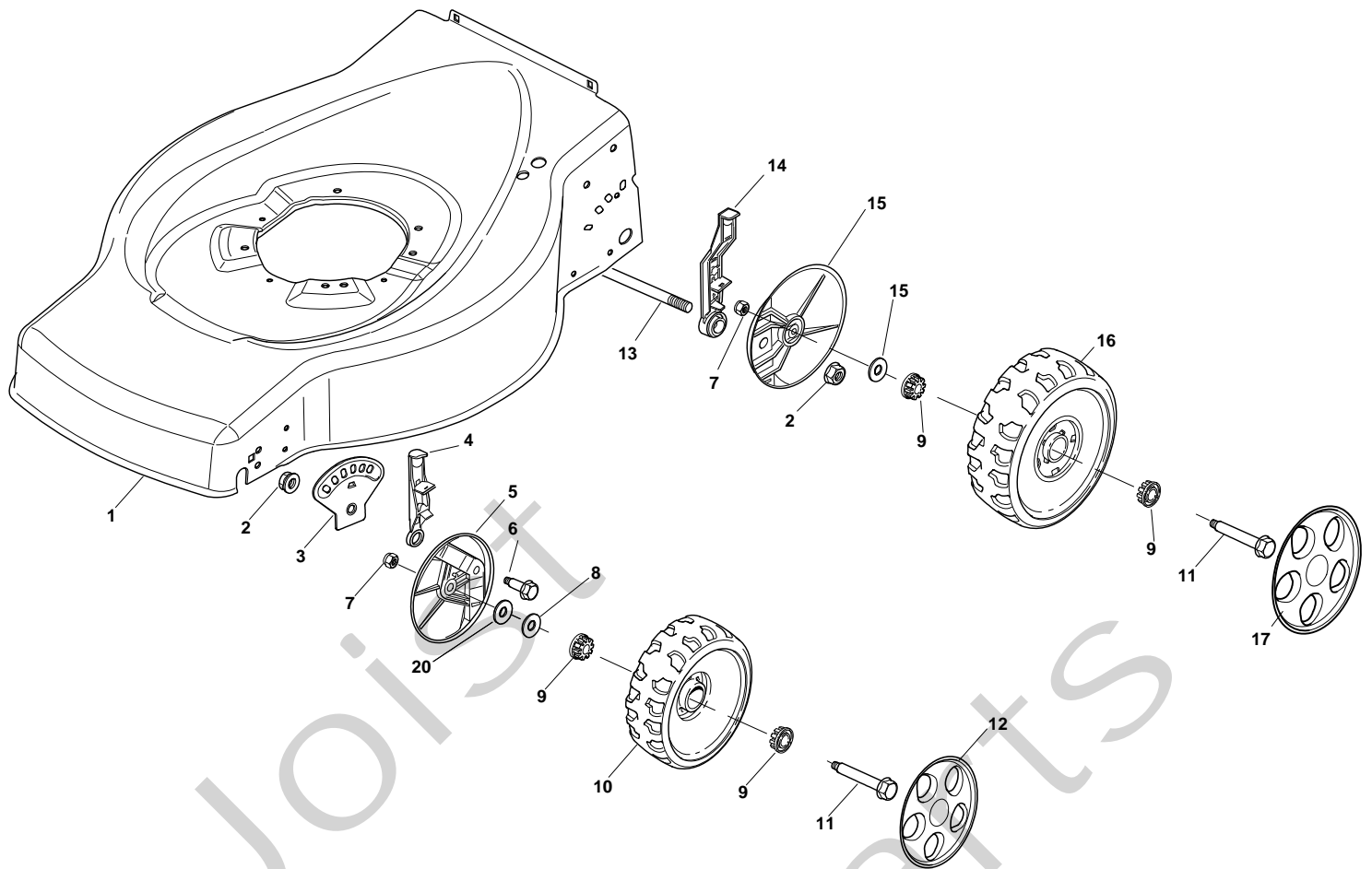
COMBI 46 Model Year 2010

- Use GLOBAL GARDEN PRODUCT Genuine Spare Parts specified in the parts list for repair and/or replacement.
- The contents described in the parts list may change due to improvement.
- The drawings of the spare parts are only indicative and might not represent the part in question exactly.
- The indications "right" - "left" - "front" - "rear" refer to the position of the operator when using the machine.
- When placing orders of parts for repair and/or replacement, make sure that the illustrated parts list is the one applying to the machine's year of manufacture, as shown on the identification plate attached to the machine.

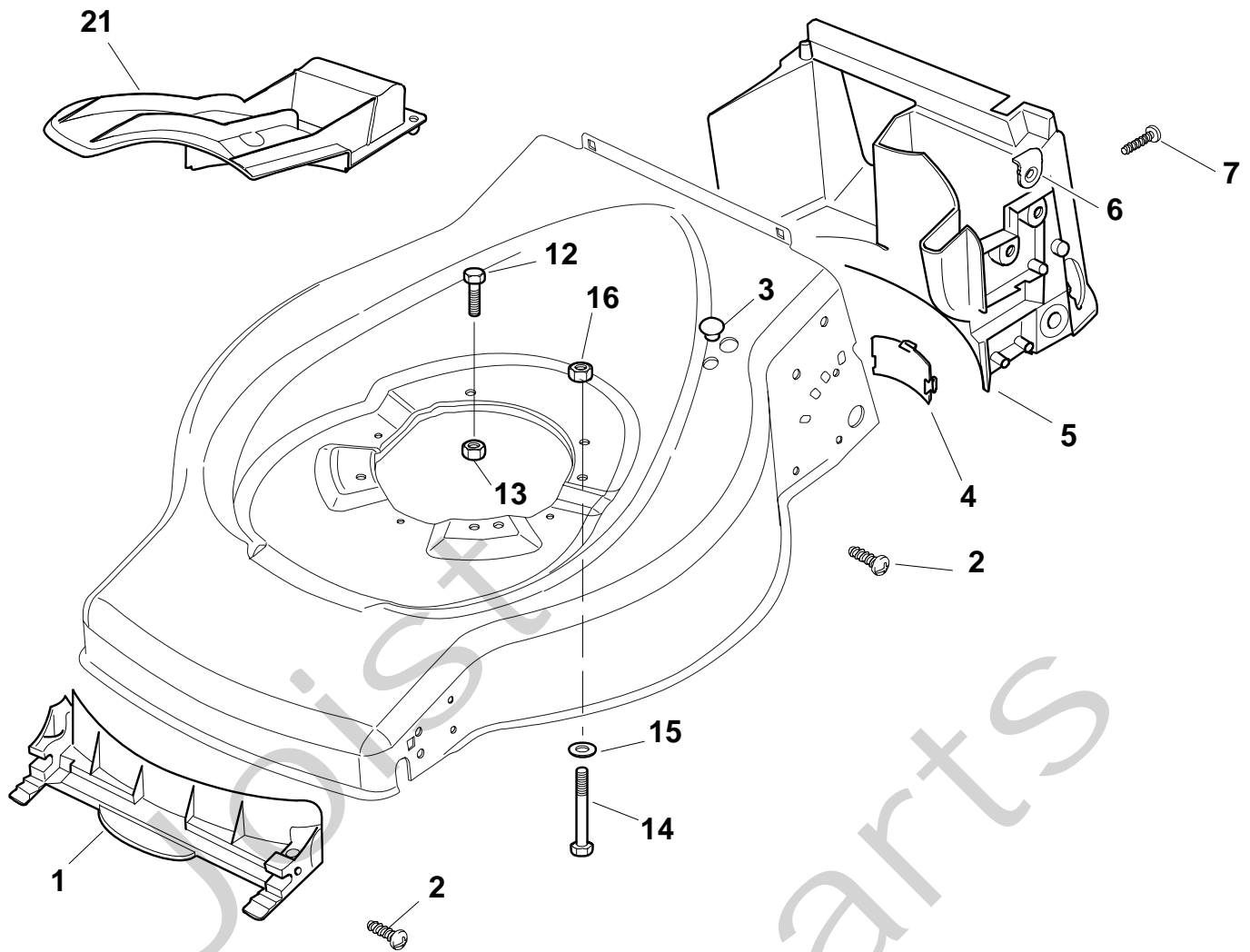
COPYRIGHT by GLOBAL GARDEN PRODUCTS

All rights reserved. No part of this material may be reproduced or transmitted, in any form or by any means, electronic or mechanical, including photocopying, recording or by any information storage and retrieval system, without permission in writing from GLOBAL GARDEN PRODUCTS.

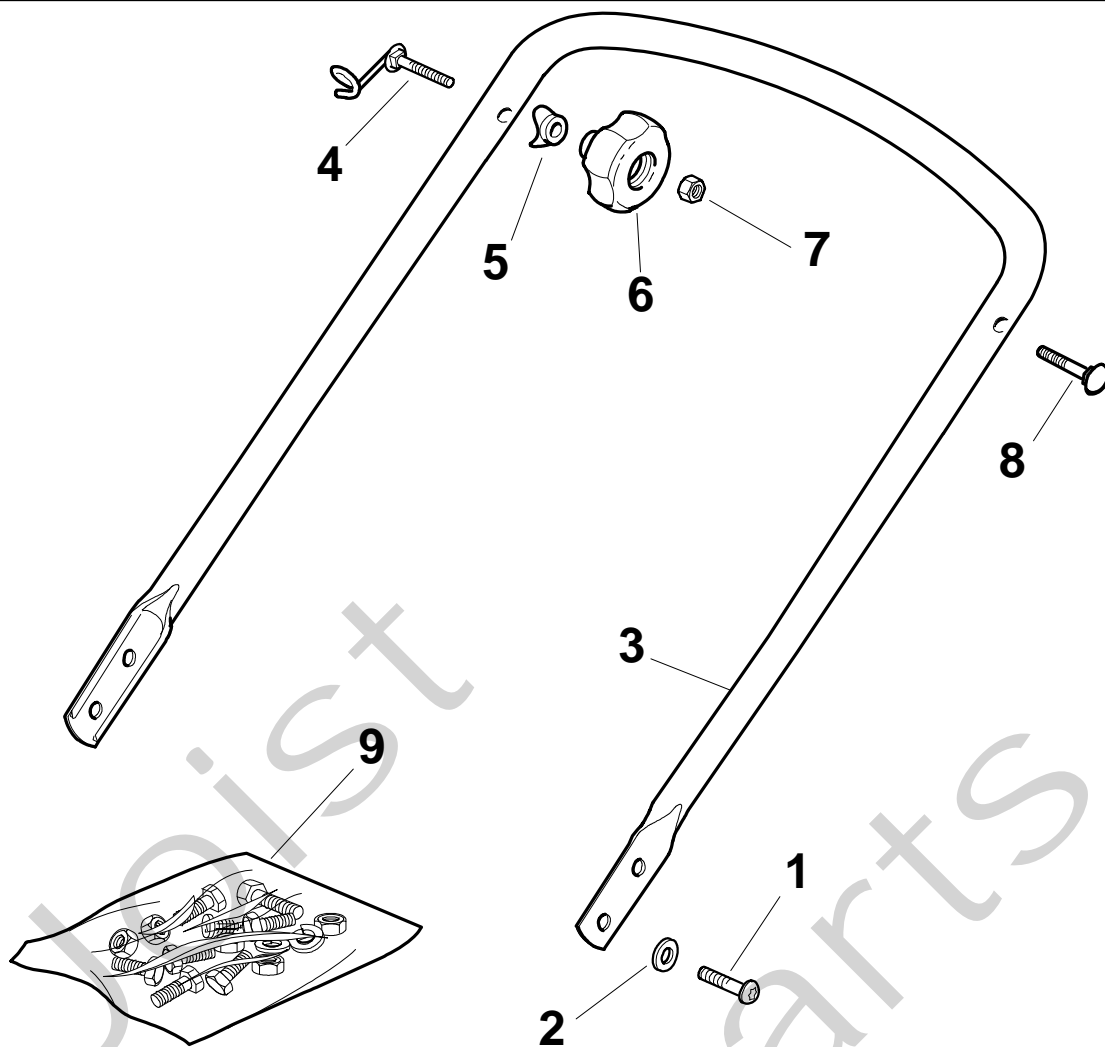


COMBI 46 - Model Year 2010


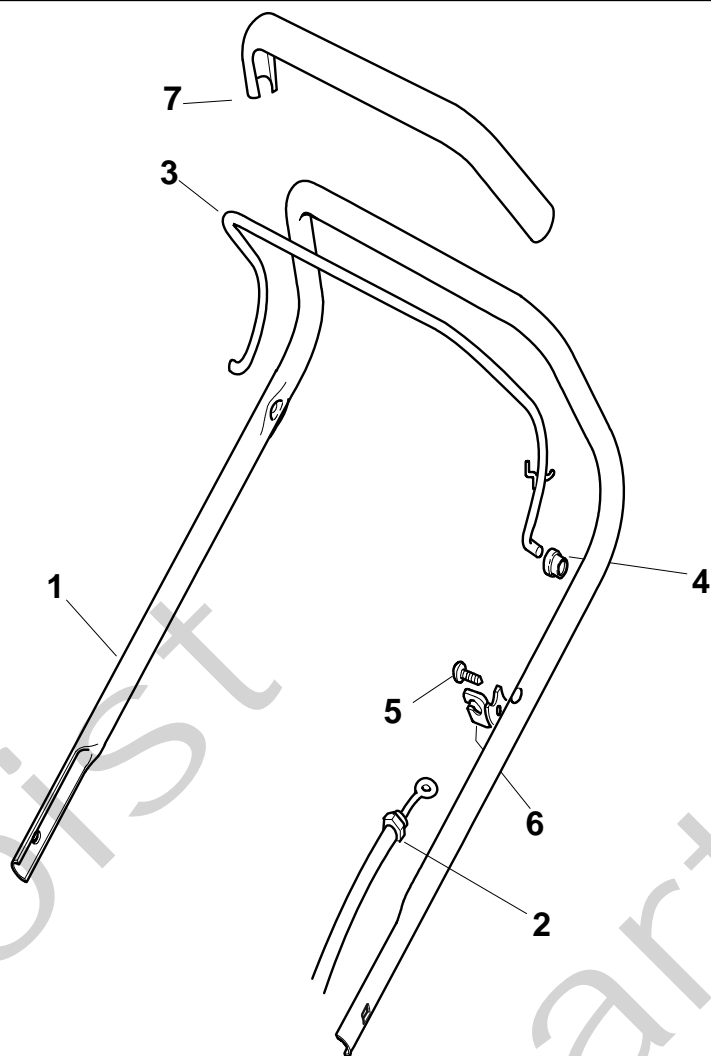
| Pos. Fig. | Antal Quantity | Art No Part No | Benämning | Description | Anmärkning Notes |
|-----------|----------------|----------------|------------------|---------------------------|------------------|
| 1 | 1 | 81002542/0 | Chassi | Deck Yellow | 464 |
| 2 | 4 | 22131750/0 | Mutter | Nut | |
| 3 | 2 | 22735557/0 | Höjdinst.sektor | Sector, Height Adjustment | |
| 4 | 2 | 81003306/0 | Inställningsspak | Lever, Height Adjustmet | |
| 5 | 2 | 322600170/0 | Hjulskydd | Protection, Wheel | |
| 6 | 2 | 22524324/0 | Ansatsbult | Pin | |
| 7 | 4 | 12155000/0 | Mutter | Nut | |
| 8 | 4 | 25670011/0 | Bricka | Washer | |
| 9 | 8 | 22034508/0 | Bussning | Bush | |
| 10 | 2 | 22686091/1 | Hjul | Wheel | |
| 11 | 4 | 22524341/0 | Hjulbult | Pin | |
| 12 | 2 | 322110595/0 | Navkapsel-gul | Hub Cap Yellow | |
| 13 | 1 | 22033364/0 | Hjulaxel | Axle, Rear Wheels | |
| 14 | 2 | 81003307/0 | Höjdinst.spak | Lever, Height Adjustment | |
| 15 | 2 | 22600098/0 | Hjulskydd | Protection | |
| 16 | 2 | 22686092/0 | Hjul | Wheel | |
| 17 | 2 | 322110621/0 | Navkapsel-gul | Hub Cap Yellow | |
| 20 | 2 | 12530150/0 | Bricka | Washer | |



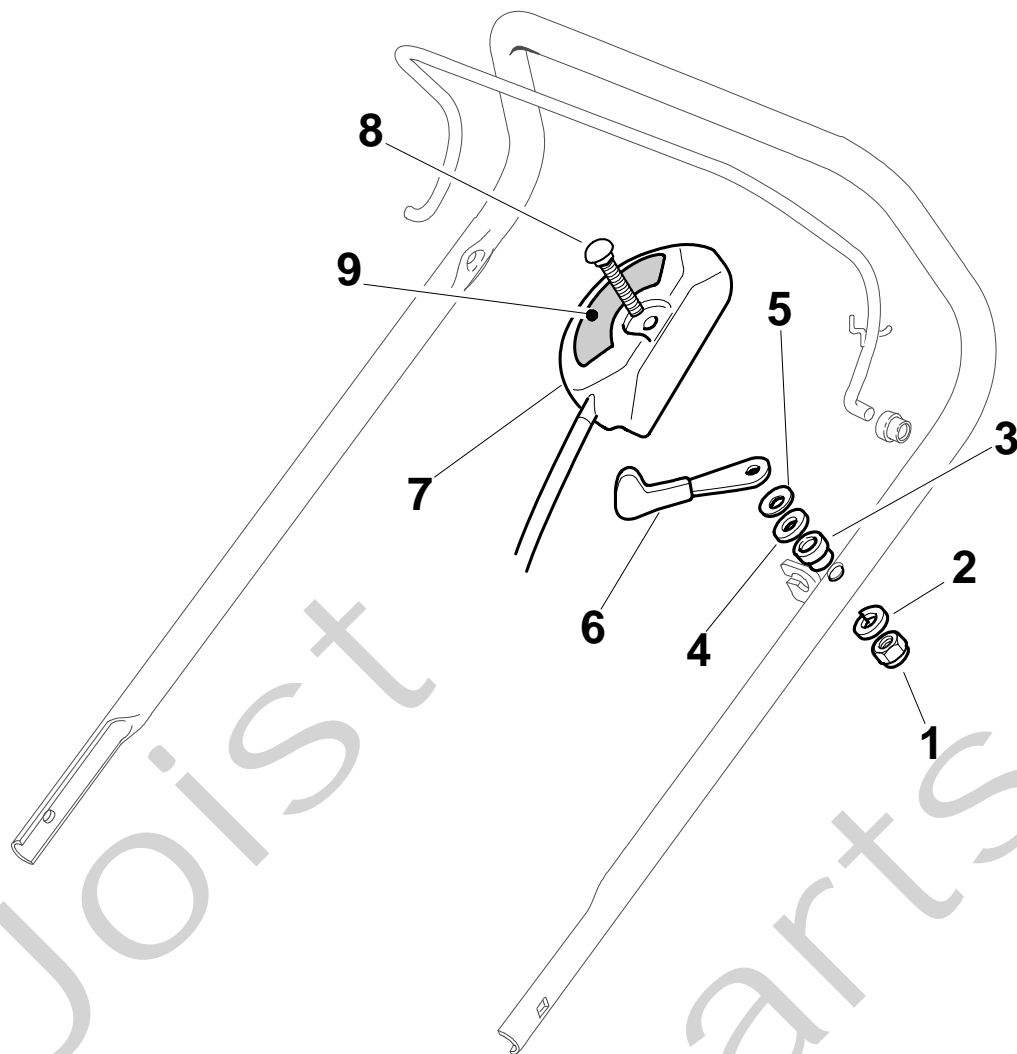
| Pos. Fig. | Antal Quantity | Art No Part No | Benämning | Description | Anmärkning Notes |
|-----------|----------------|----------------|----------------|---------------------|------------------|
| 1 | 1 | 22108271/0 | Ledplåt-främre | Front Conveyor Assy | |
| 2 | 6 | 12728686/0 | Skruv | Screw | |
| 3 | 1 | 322820077/0 | Plugg | Cap | |
| 4 | 1 | 22109532/0 | Lock | Cover | |
| 5 | 1 | 22108272/2 | Ledplåt-bakre | Rear Conveyor Assy | |
| 6 | 4 | 322545189/0 | Plåt | Plate | |
| 7 | 2 | 12728686/0 | Skruv | Screw | |
| 12 | 3 | 12793701/0 | Skruv | Screw | |
| 13 | 3 | 12293201/0 | Mutter | Nut | |
| 14 | 1 | 12691800/0 | Skruv | Screw | |
| 15 | 1 | 12521350/0 | Bricka | Washer | |
| 16 | 1 | 12155000/0 | Mutter | Nut | |
| 21 | 1 | 22140226/0 | Mulchplugg | Deflector | |



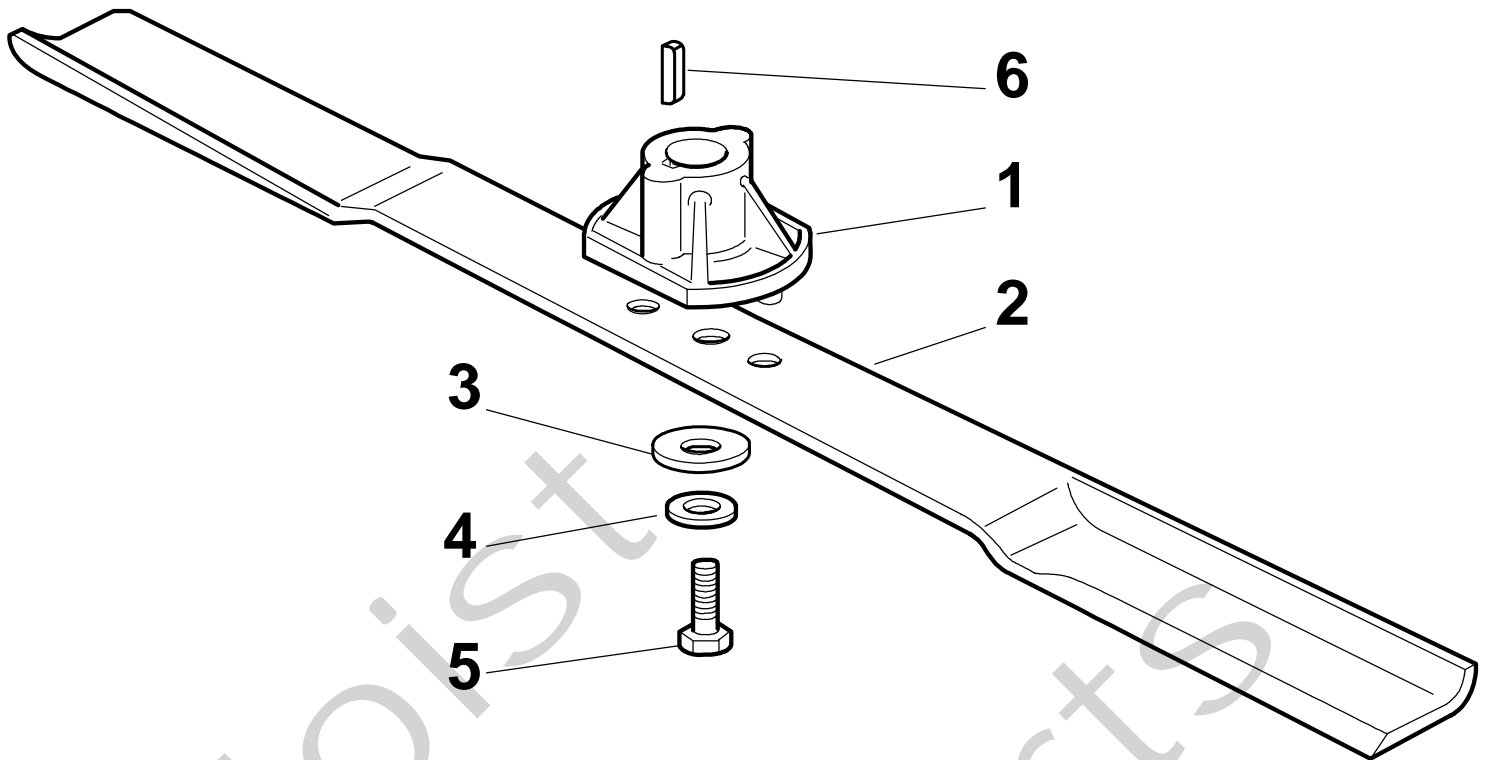
| Pos. Fig. | Antal Quantity | Art No Part No | Benämning | Description | Anmärkning Notes |
|-----------|----------------|----------------|----------------|--------------------|------------------|
| 1 | 4 | 12760605/0 | Skruv | Screw | |
| 2 | 4 | 12521350/0 | Bricka | Washer | |
| 3 | 1 | 81006570/0 | Styre-underdel | Handle, Lower Part | |
| 4 | 1 | 81003801/1 | Snörhållare | Guide Spring | |
| 5 | 2 | 22680006/1 | Bricka | Washer | |
| 6 | 2 | 322399804/1 | Knopp | Knob | |
| 7 | 2 | 12293200/0 | Mutter | Nut | |
| 8 | 1 | 12819201/0 | Skruv | Screw | |
| 9 | 1 | 81008648/1 | Skrivsats | Outfit, Screws | |



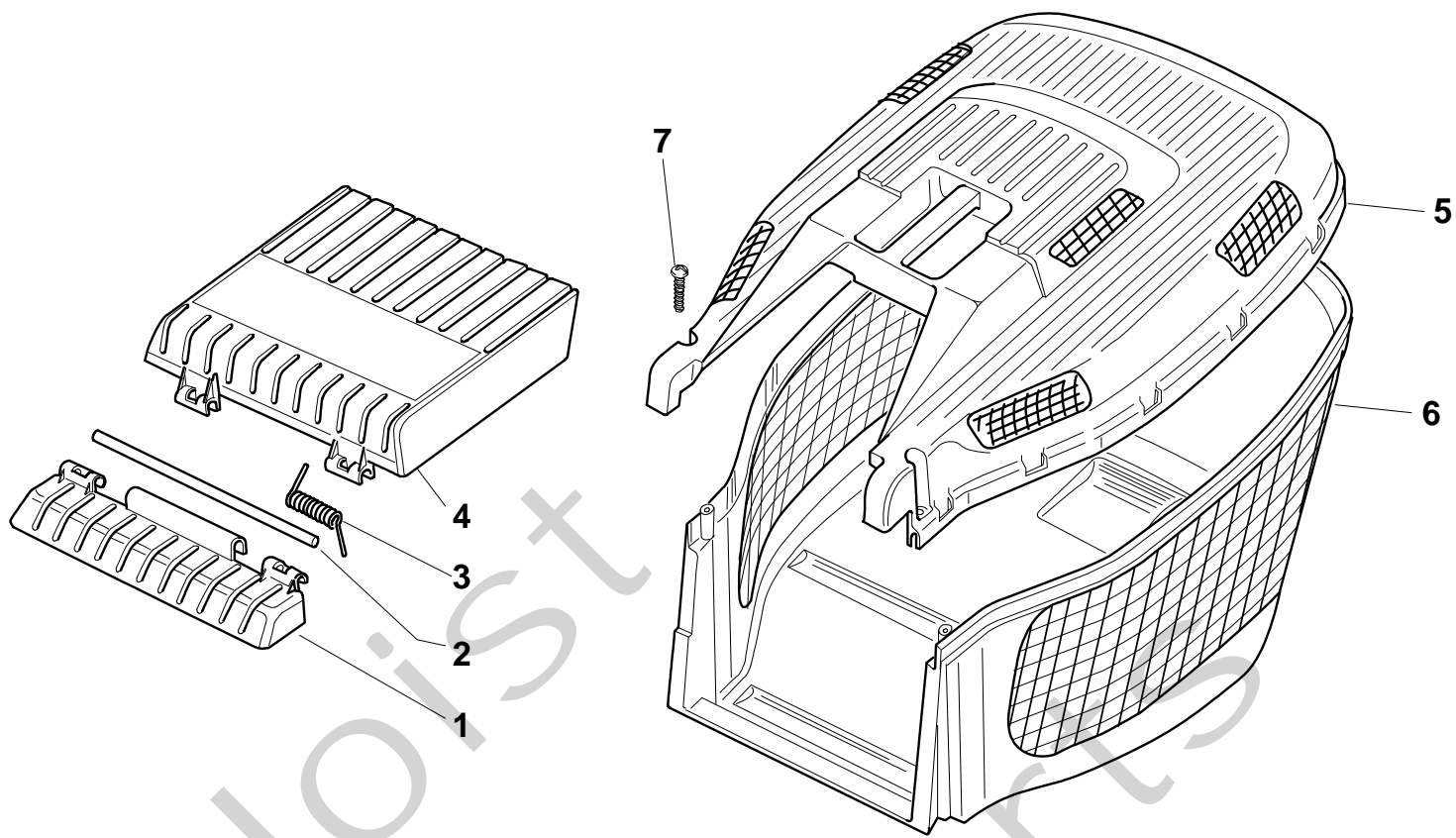
| Pos. Fig. | Antal Quantity | Art No Part No | Benämning | Description | Anmärkning Notes |
|-----------|----------------|----------------|----------------|----------------------------|------------------|
| 1 | 1 | 81007018/1 | Styre-överdel | Handle, Upper Part | |
| 2 | 1 | 81000616/1 | Motorbromswire | Cable, Thread Engine Brake | |
| 3 | 1 | 81003291/3 | Reglagebygel | Lever, Engine Brake | |
| 4 | 2 | 22041966/0 | Bussning | Bush | |
| 5 | 1 | 12728518/0 | Skruv | Screw | |
| 6 | 1 | 22806612/0 | Fäste | Support | |
| 7 | 1 | 22291050/0 | Handtag | Handgrip Black | |



| Pos. Fig. | Antal Quantity | Art No Part No | Benämning | Description | Anmärkning Notes |
|-----------|----------------|----------------|-----------|-----------------|------------------|
| 1 | 1 | 12291000/0 | Mutter | Nut | |
| 2 | 1 | 12581500/0 | Låsbricka | Grower | |
| 3 | 1 | 22171005/0 | Distans | Spacer | |
| 4 | 1 | 12521360/0 | Bricka | Washer | |
| 5 | 1 | 12508100/0 | Låsbricka | Washer | |
| 6 | 1 | 81007220/0 | Gasarm | Lever, Throttle | |
| 7 | 1 | 81007087/1 | Gaswire | Cable, Trottle | |
| 8 | 1 | 12815000/0 | Skruv | Screw | |
| 9 | 1 | 14356702/0 | Dekal | Label | |



| Pos. Fig. | Antal Quantity | Art No Part No | Benämning | Description | Anmärkning Notes |
|-----------|----------------|----------------|-----------|----------------|------------------|
| 1 | 1 | 22463012/2 | Nav | Hub | |
| 2 | 1 | 81004365/3 | Kniv | Blade Standard | |
| 3 | 1 | 22160400/0 | Bricka | Elastic Washer | |
| 4 | 1 | 12523080/0 | Bricka | Washer | |
| 5 | 1 | 12735698/0 | Skruv | Screw | |
| 6 | 1 | 12139100/0 | Kil | Key | |



| Pos. Fig. | Antal Quantity | Art No Part No | Benämning | Description | Anmärkning Notes |
|-----------|----------------|----------------|---------------------|---------------------|------------------|
| 1 | 1 | 22785140/1 | Hållare | Support | |
| 2 | 1 | 22517858/0 | Axel | Pin | |
| 3 | 1 | 22450431/0 | Fjäder | Spring | |
| 4 | 1 | 322600100/1 | Lucka | Stone-Guard | |
| 5 | 1 | 22486121/0 | Uppsamlare-överdel | Grassbox Upper | |
| 6 | 1 | 22486128/0 | Uppsamlare-underdel | Grassbox Lower Part | |
| 7 | 2 | 12728686/0 | Skruv | Screw | |