

# Genuine Spare Parts

www.stiga.com

## COLLECTOR 46 B Model Year 2012

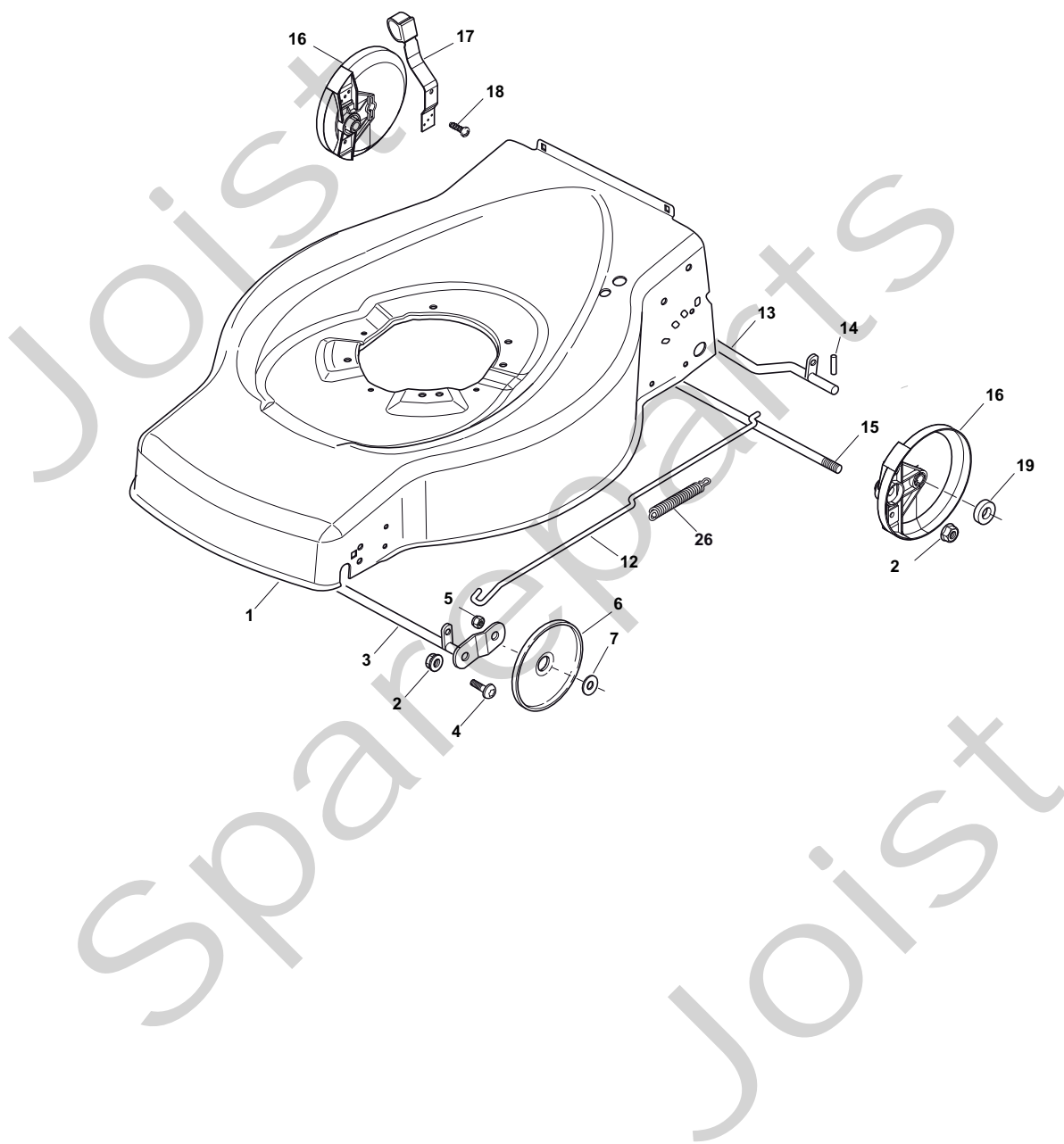
- Use GLOBAL GARDEN PRODUCT Genuine Spare Parts specified in the parts list for repair and/or replacement.
- The contents described in the parts list may change due to improvement.
- The drawings of the spare parts are only indicative and might not represent the part in question exactly.
- The indications "right" - "left" - "front" - "rear" refer to the position of the operator when using the machine.
- When placing orders of parts for repair and/or replacement, make sure that the illustrated parts list is the one applying to the machine's year of manufacture, as shown on the identification plate attached to the machine.

© Copyright 2012 Global Garden Products

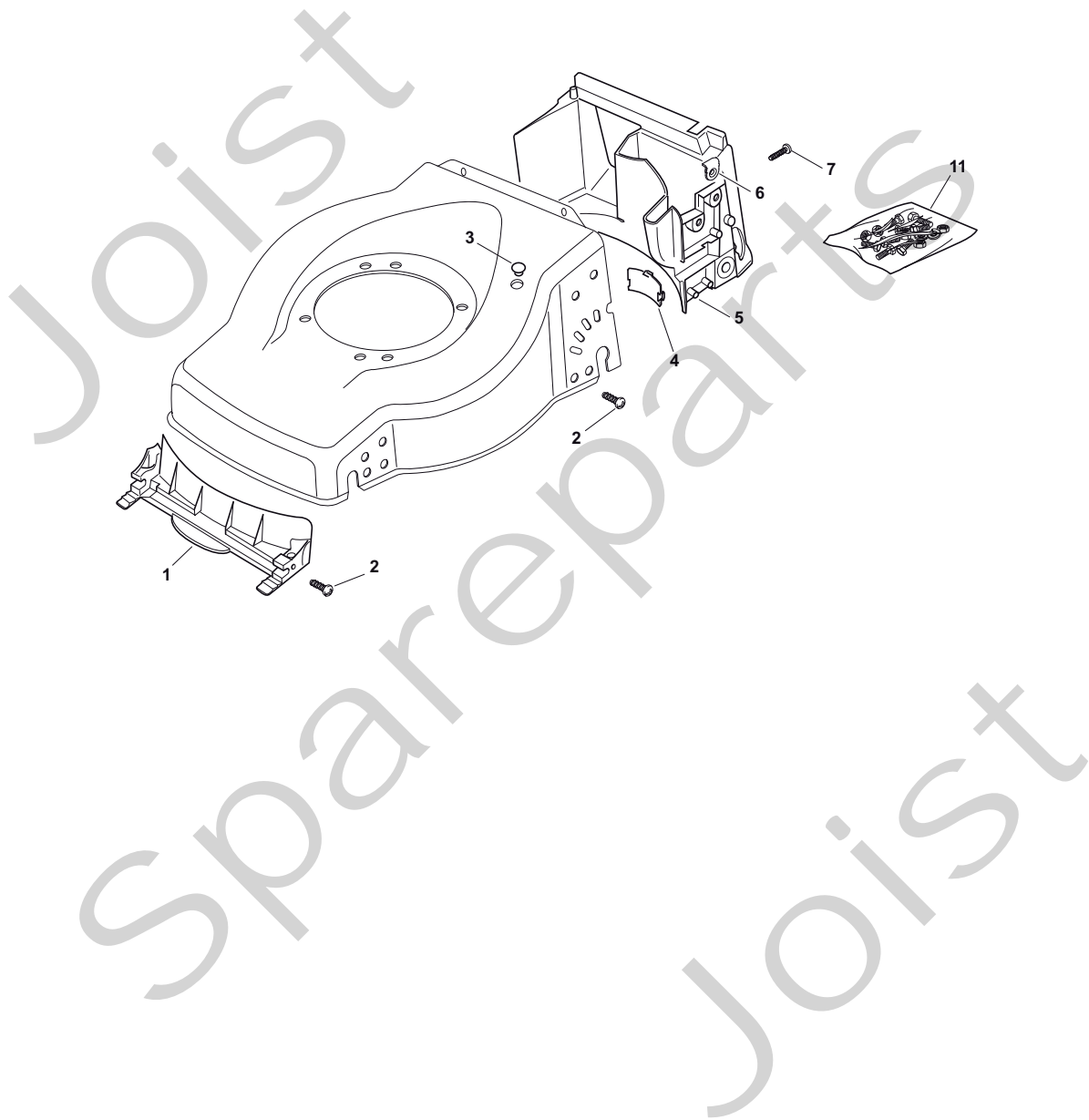
All content is subject to copyright by Global Garden Products and may not be reproduced in whole or in part by any means, electronic or otherwise, without prior written approval.

THIS INFORMATION IS NOT INTENDED FOR SALE OR RESALE, AND THIS NOTICE MUST REMAIN ON ALL COPIES.

**STIGA**®

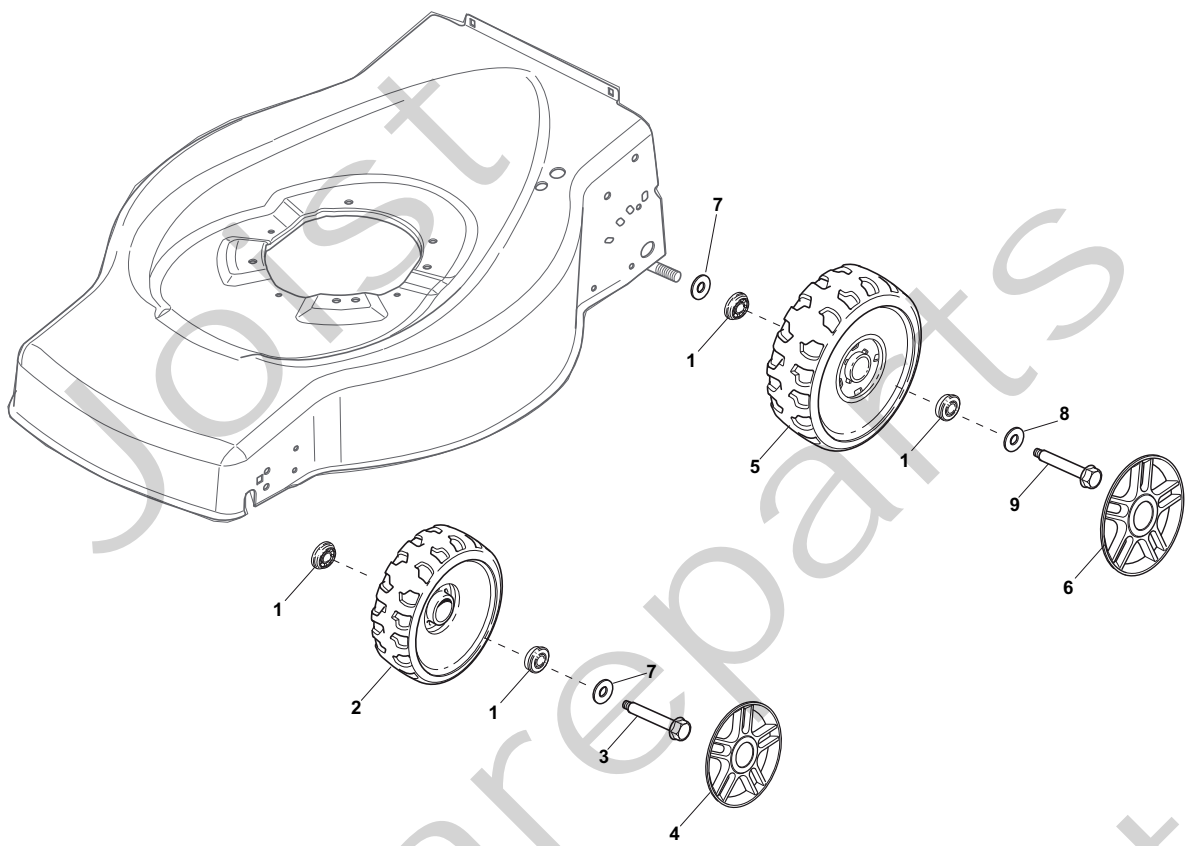


Position	Part No.	Q.Ty	Description
1	81002538/0	1	Deck Red
2	22131750/0	4	Nut
3	81000153/0	1	Axle, Front Wheels
4	12760600/0	2	Screw
5	12155000/0	2	Nut
6	22600095/0	2	Protection
7	25670011/0	2	Washer
12	22033317/0	1	Adjustment Rod
13	81000159/0	1	Axle, Rear Wheels
14	22753001/0	2	Pin
15	22033369/0	1	Axle, Rear Wheels
16	22600106/1	2	Protection, Wheel
17	81003303/0	1	Lever, Height Adjustment
18	12728689/0	2	Screw
19	22170622/0	2	Spacer
26	122446186/0	1	Spring (Only for 534 model)



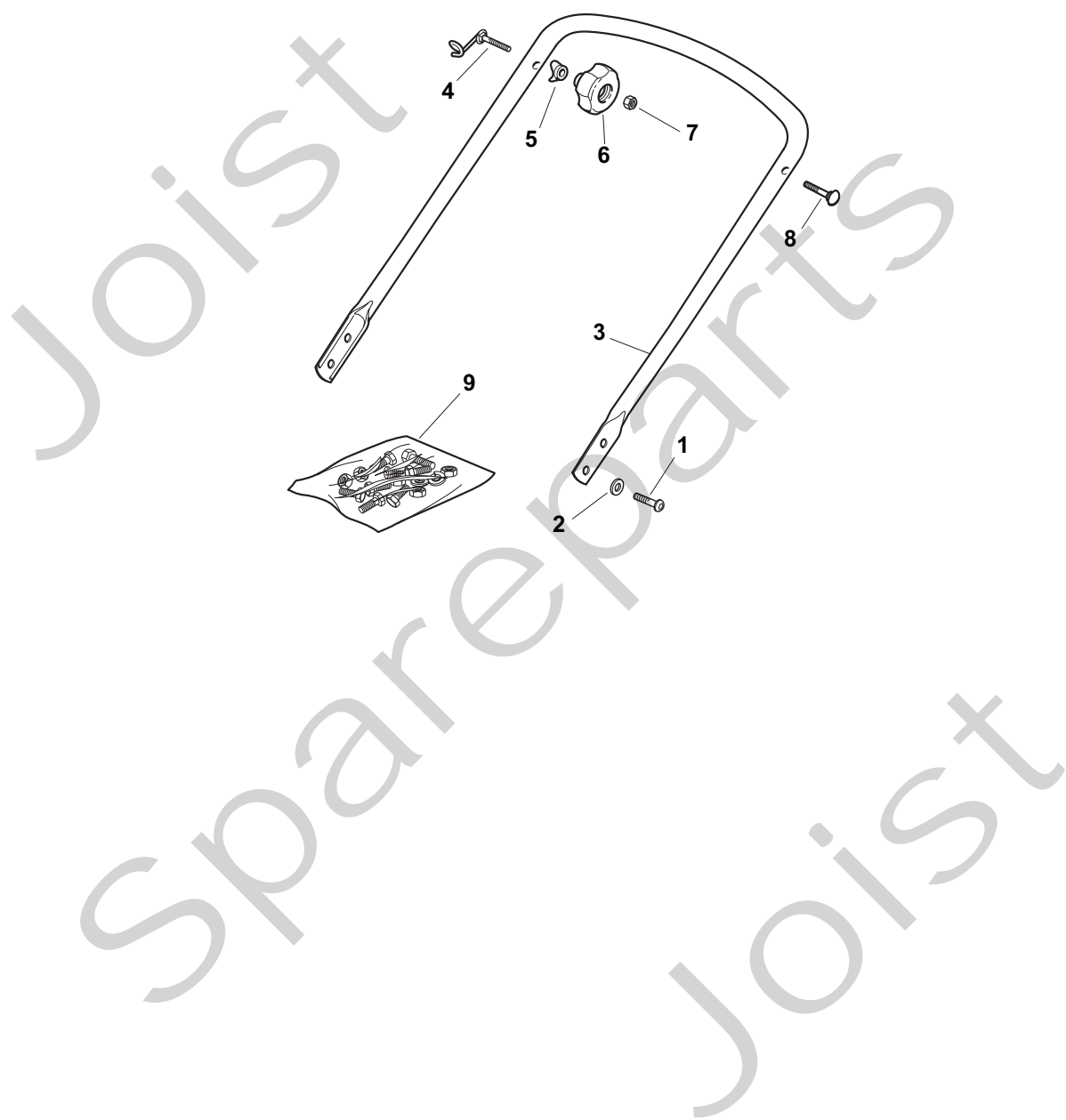
Position	Part No.	Q.Ty	Description
1	22108271/0	1	Front Conveyor Assy
2	12728686/0	6	Screw
3	322820077/0	1	Cap
4	22109532/0	1	Cover
5	22108272/2	1	Rear Conveyor Assy
6	322545189/0	4	Plate
7	12728686/0	2	Screw
11	81008649/0	1	Outfit, Screws

Joist  
Spareparts  
Joist



Position	Part No.	Q.Ty	Description
1	22122200/0	8	Bearing
2	22686091/1	2	Wheel Ø 165
3	22524341/0	4	Pin
4	22110491/0	2	Hub Cap
5	22686092/0	2	Wheel Ø 190
6	22110492/0	2	Hub Cap
7	22675100/0	4	Washer
9	12735599/0	2	Screw
8	12523050/0	2	Washer

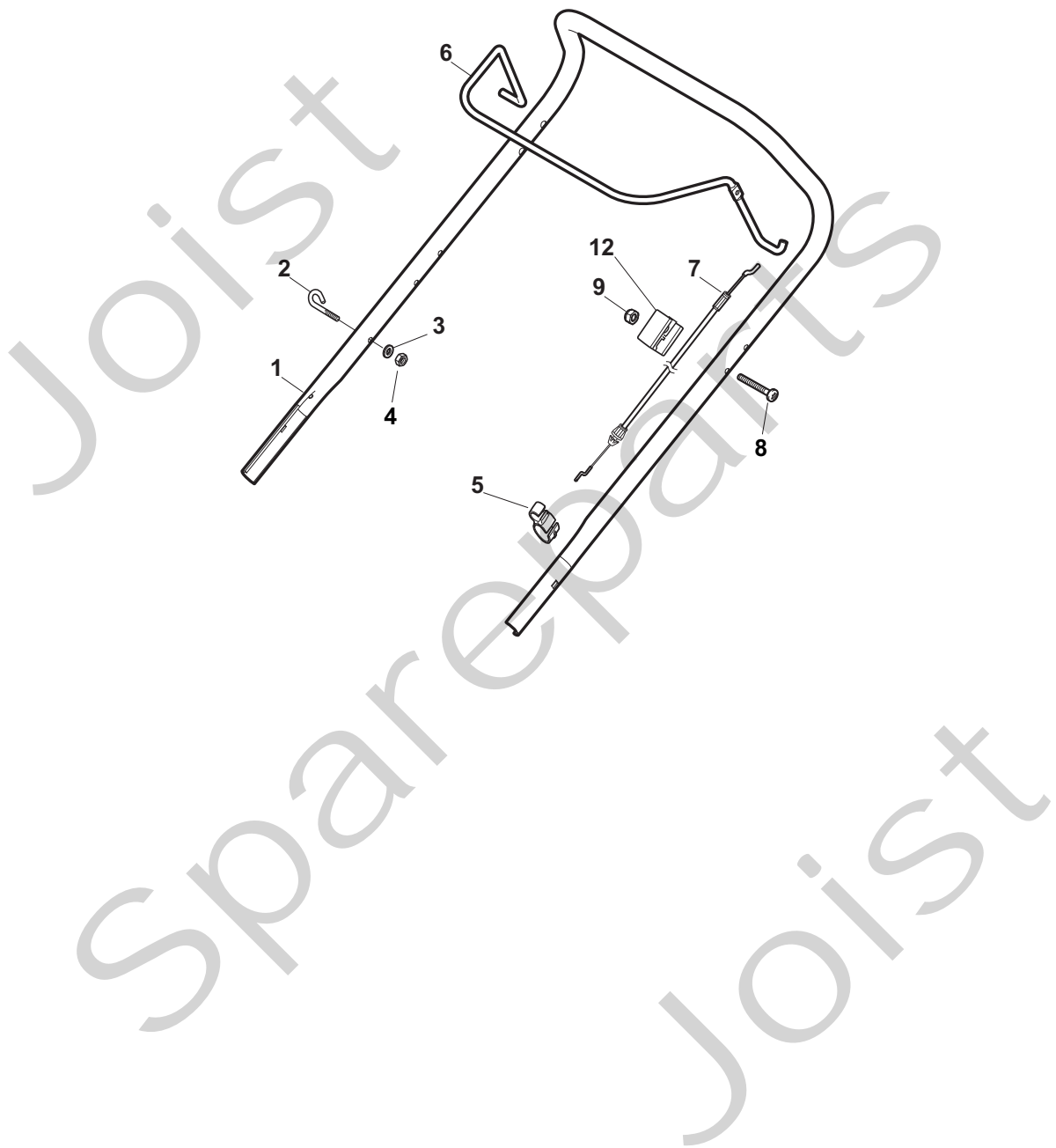
Joist  
Spareparts  
Joist



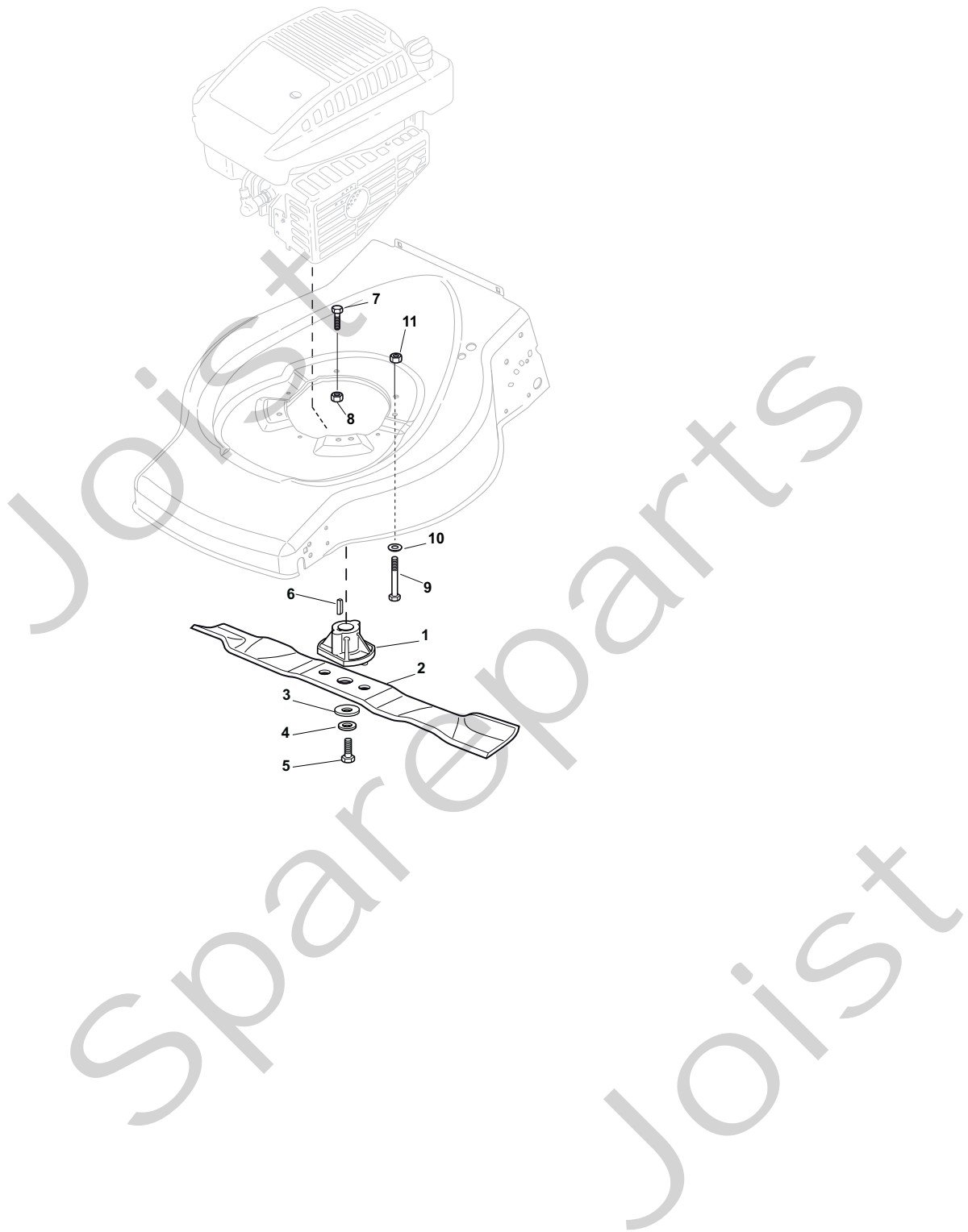


Position	Part No.	Q.Ty	Description
1	12760605/0	4	Screw
2	12521350/0	4	Washer
3	81006570/0	1	Handle, Lower Part
4	81003801/1	1	Guide Spring
5	22680006/1	2	Washer
6	322399804/1	2	Knob
7	12293200/0	2	Nut
8	12819201/0	1	Screw
9	81008648/1	1	Outfit, Screws

Joist  
Spareparts  
Joist



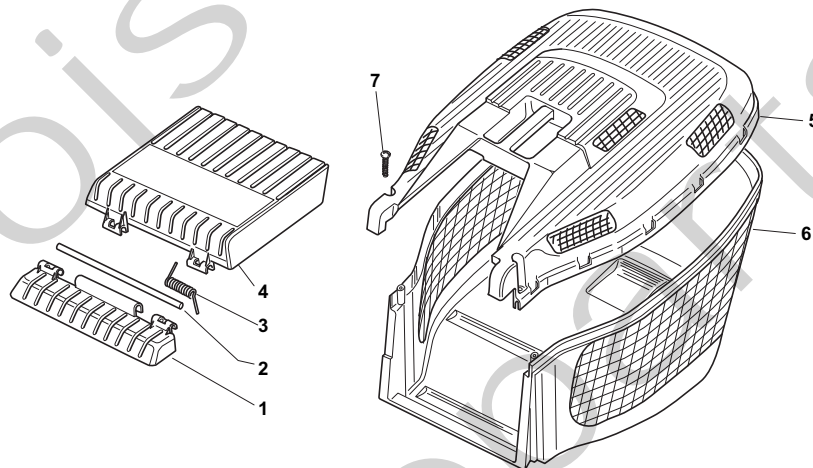
Position	Part No.	Q.Ty	Description
1	381006739/0	1	Handle, Upper Part
1	381006745/0	1	Handle, Upper Part with sponge handgrip
2	22430313/0	1	Guide Spring
3	12521330/0	1	Washer
4	12154510/0	1	Nut
5	118390020/0	1	Fairlead
6	181003363/1	1	Lever, Engine Brake Black
7	181030053/0	1	Cable, Thread Eng. Brake
8	12727783/0	1	Screw
9	12154510/0	1	Nut
12	22551640/0	1	Plate



Position	Part No.	Q.Ty	Description
1	22463012/2	1	Hub, Crankshaft Ø 22.2
2	81004365/3	1	Blade Standard
3	22160400/0	1	Elastic Washer
4	12523080/0	1	Washer
5	12735698/0	1	Screw
6	12139100/0	1	Feather, Crankshaft Ø 22.2
7	12793701/0	2	Screw
8	12293201/0	2	Nut
9	12691800/0	1	Screw
10	12521350/0	1	Washer
11	12155000/0	1	Nut

Joist  
Spareparts  
Joist

Joist  
Spare  
Joist



Position	Part No.	Q.Ty	Description
1	22785136/1	1	Support
2	22517858/0	1	Pin
3	22450431/0	1	Spring
4	322600099/1	1	Stone-Guard
5	22486122/0	1	Grassbox Upper Part
6	22486128/0	1	Grassbox Lower Part
7	12728686/0	2	Screw

Joist  
Spareparts  
Joist