

# Genuine Spare Parts

www.stiga.com

## MULTICLIP PRO 50 SVAN Model Year 2012

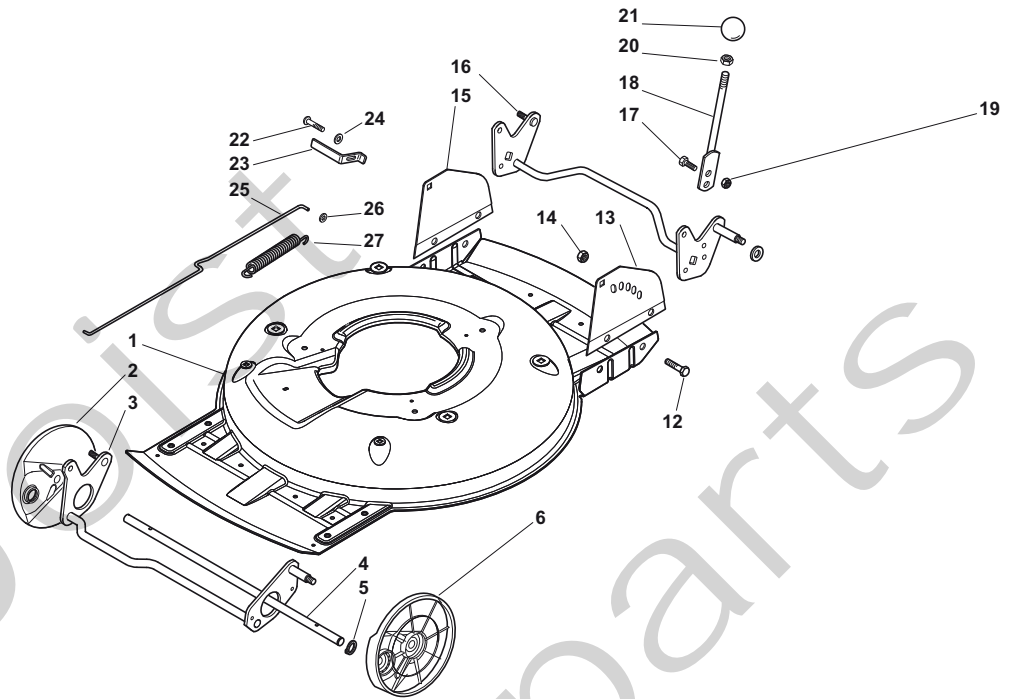
- Use GLOBAL GARDEN PRODUCT Genuine Spare Parts specified in the parts list for repair and/or replacement.
- The contents described in the parts list may change due to improvement.
- The drawings of the spare parts are only indicative and might not represent the part in question exactly.
- The indications "right" - "left" - "front" - "rear" refer to the position of the operator when using the machine.
- When placing orders of parts for repair and/or replacement, make sure that the illustrated parts list is the one applying to the machine's year of manufacture, as shown on the identification plate attached to the machine.

© Copyright 2012 Global Garden Products

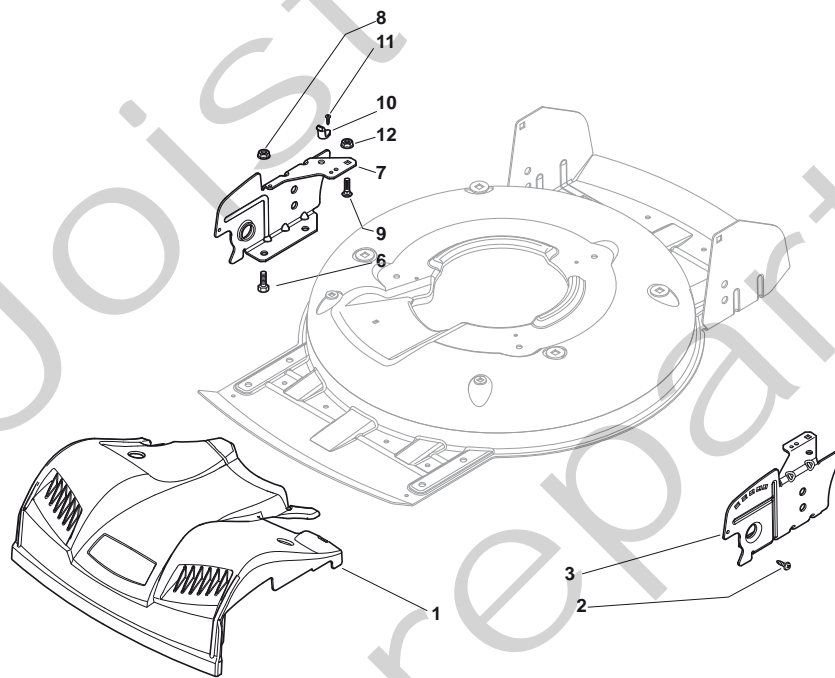
All content is subject to copyright by Global Garden Products and may not be reproduced in whole or in part by any means, electronic or otherwise, without prior written approval.

THIS INFORMATION IS NOT INTENDED FOR SALE OR RESALE, AND THIS NOTICE MUST REMAIN ON ALL COPIES.

**STIGA**®

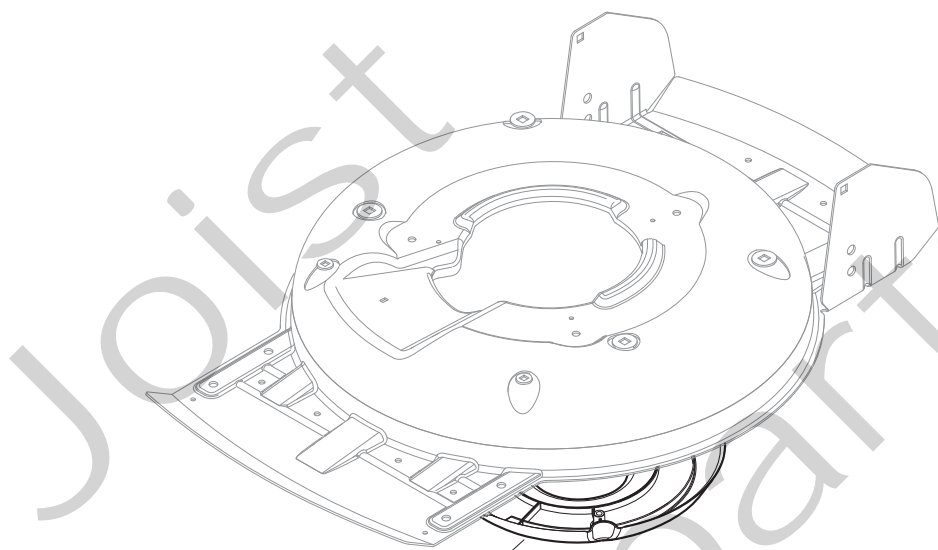


Position	Part No.	Q.Ty	Description
1	81002909/1	1	Deck Grey
2	22600093/0	1	Protection, L Wheel
3	81002849/0	1	Axle, Front Wheels
4	22033397/0	1	Axle, Front Wheels
5	22020050/0	2	Snap Ring
6	22600092/0	1	Protection, R Wheel
12	12791011/0	4	Screw
13	81545105/0	1	Left Plate
14	12154510/0	4	Nut
15	81545104/0	1	Right Plate
16	81002851/0	1	Axle, Rear Wheels
17	12789000/0	2	Screw
18	81003323/0	1	Lever, Height Adjustment
19	12154330/0	2	Nut
20	12293200/0	1	Nut
21	22399812/0	1	Knob
22	12735661/0	2	Screw
23	22551529/0	2	Plate
24	12521330/0	2	Washer
25	22033329/0	1	Rod, Height Adjustment Control
26	12604899/0	2	Crown Fastener
27	22446184/0	1	Spring



Position	Part No.	Q.Ty	Description
1	322226097/1	1	Mask, Yellow
2	12728523/0	2	Screw
3	22778421/0	1	Bracket, L
6	12792611/0	4	Screw
7	22778419/0	1	Bracket, R
8	12293201/0	4	Nut
9	12815200/0	2	Screw
10	22020400/0	2	Fairlead
11	12728523/0	2	Screw
12	12292102/0	2	Nut

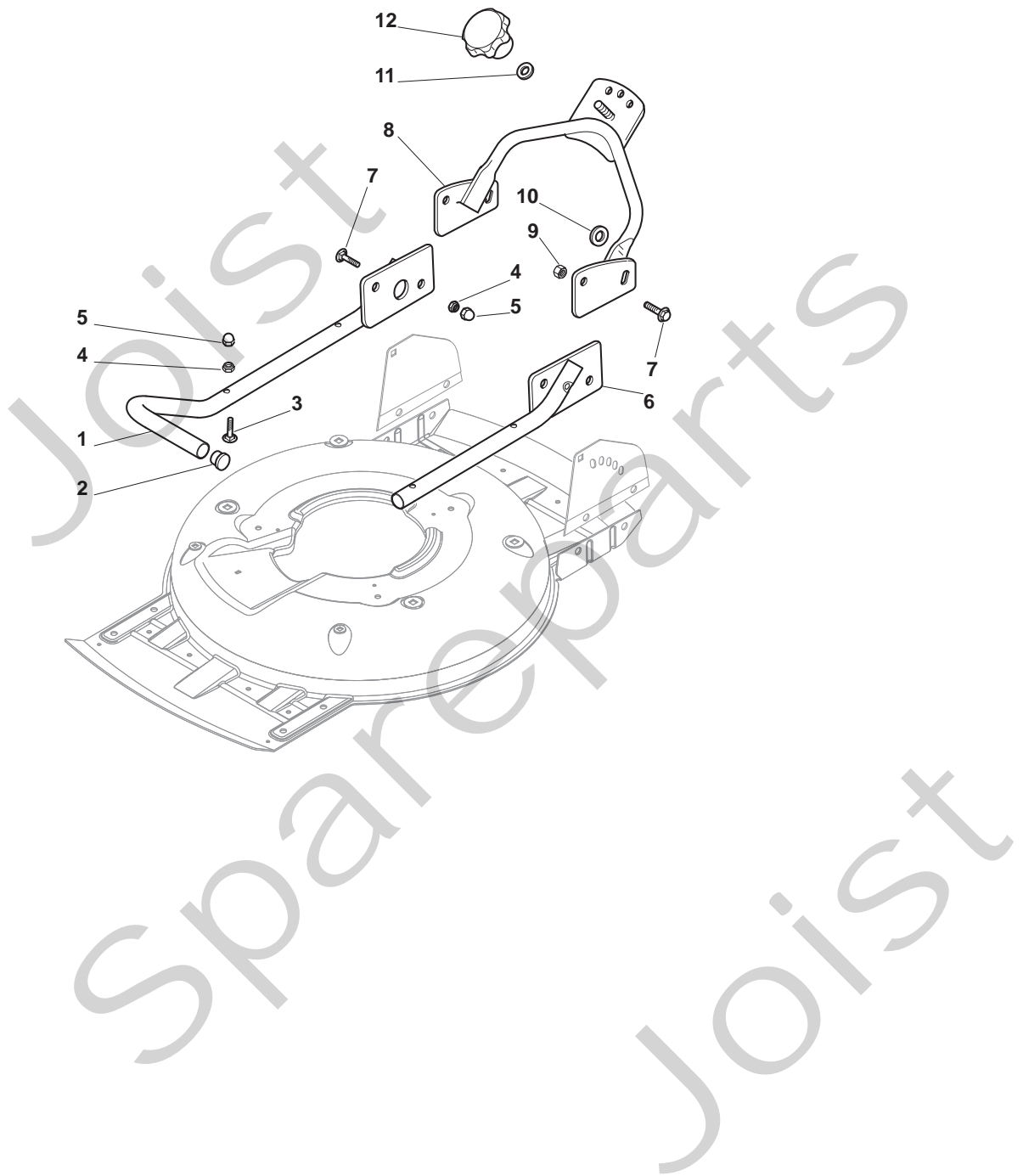
Joist  
Spareparts  
Joist



5  
4

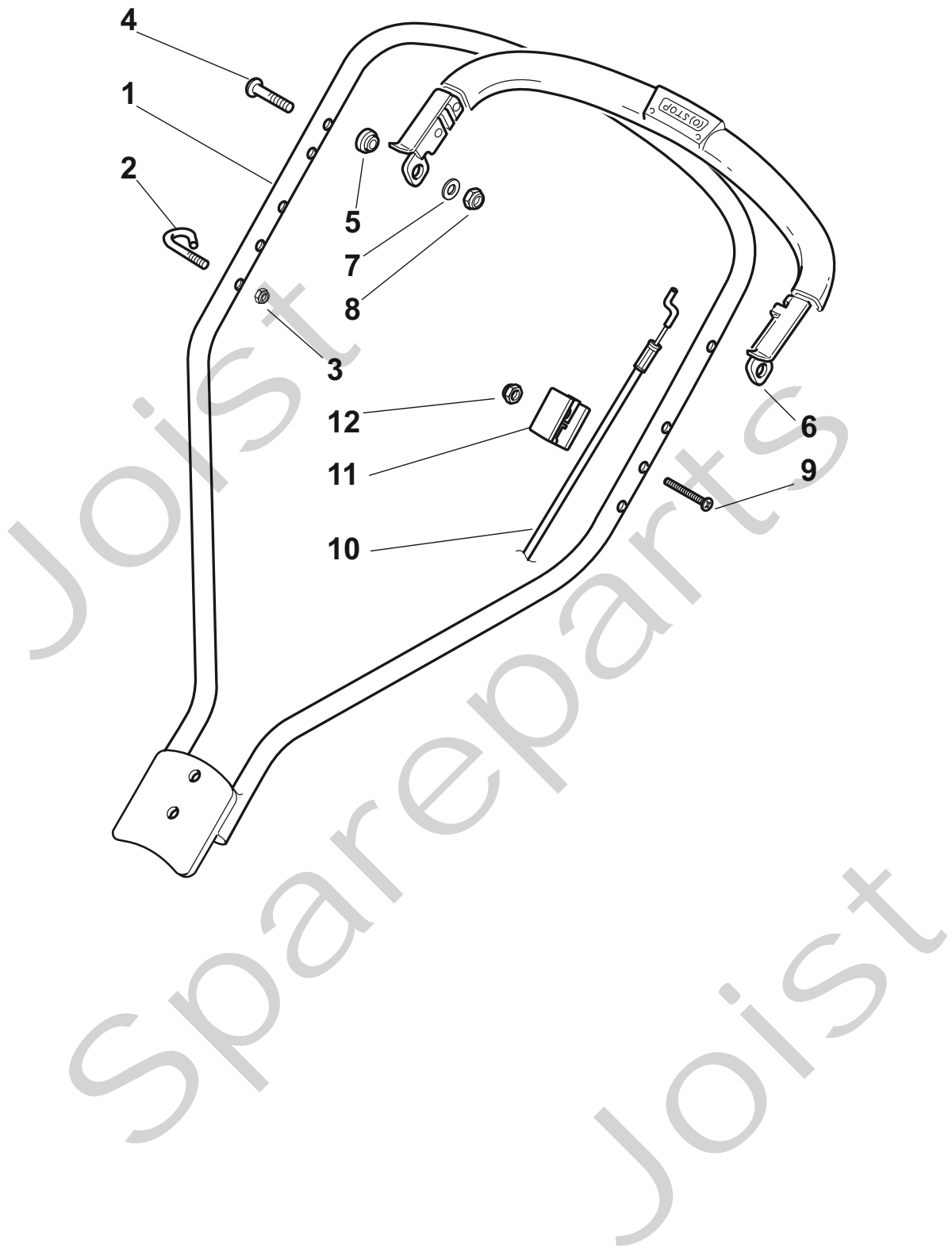
Position	Part No.	Q.Ty	Description
4	12728530/0	3	Screw
5	22060220/0	1	Protection

Joist  
Spareparts  
Joist



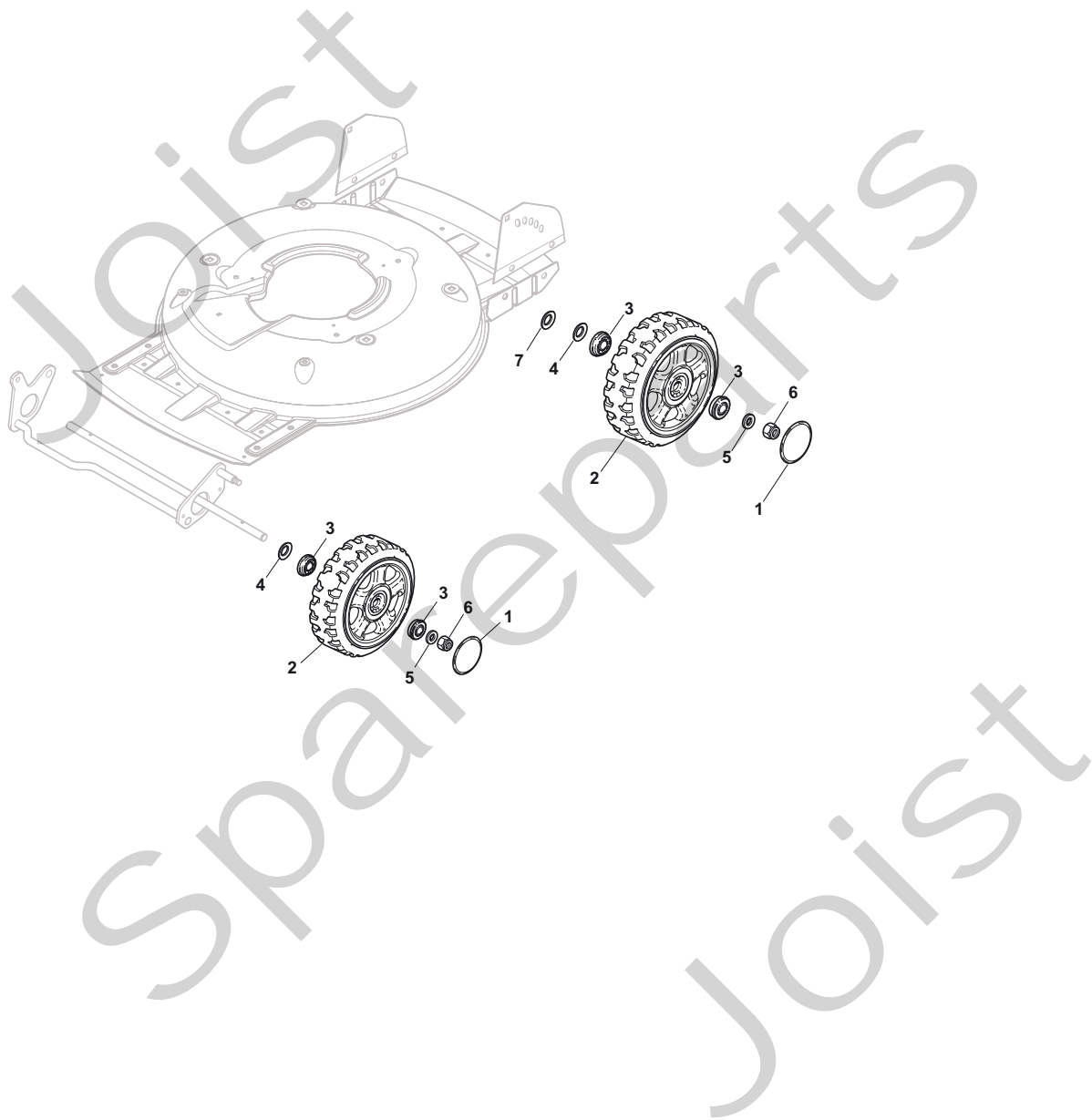


Position	Part No.	Q.Ty	Description
1	81006373/0	1	Right Handle, Lower Part Yellow
2	18566114/0	4	Cap
3	12819100/0	6	Screw
4	12155000/0	6	Nut
5	18203854/0	6	Protection
6	81006375/0	1	Left Handle, Lower Part Yellow
7	12793102/0	4	Screw
8	181006361/1	1	Handle, Middle Part Yellow
9	12155000/0	4	Nut
10	12523060/0	2	Washer
11	12523080/0	1	Washer
12	22399813/0	1	Knob



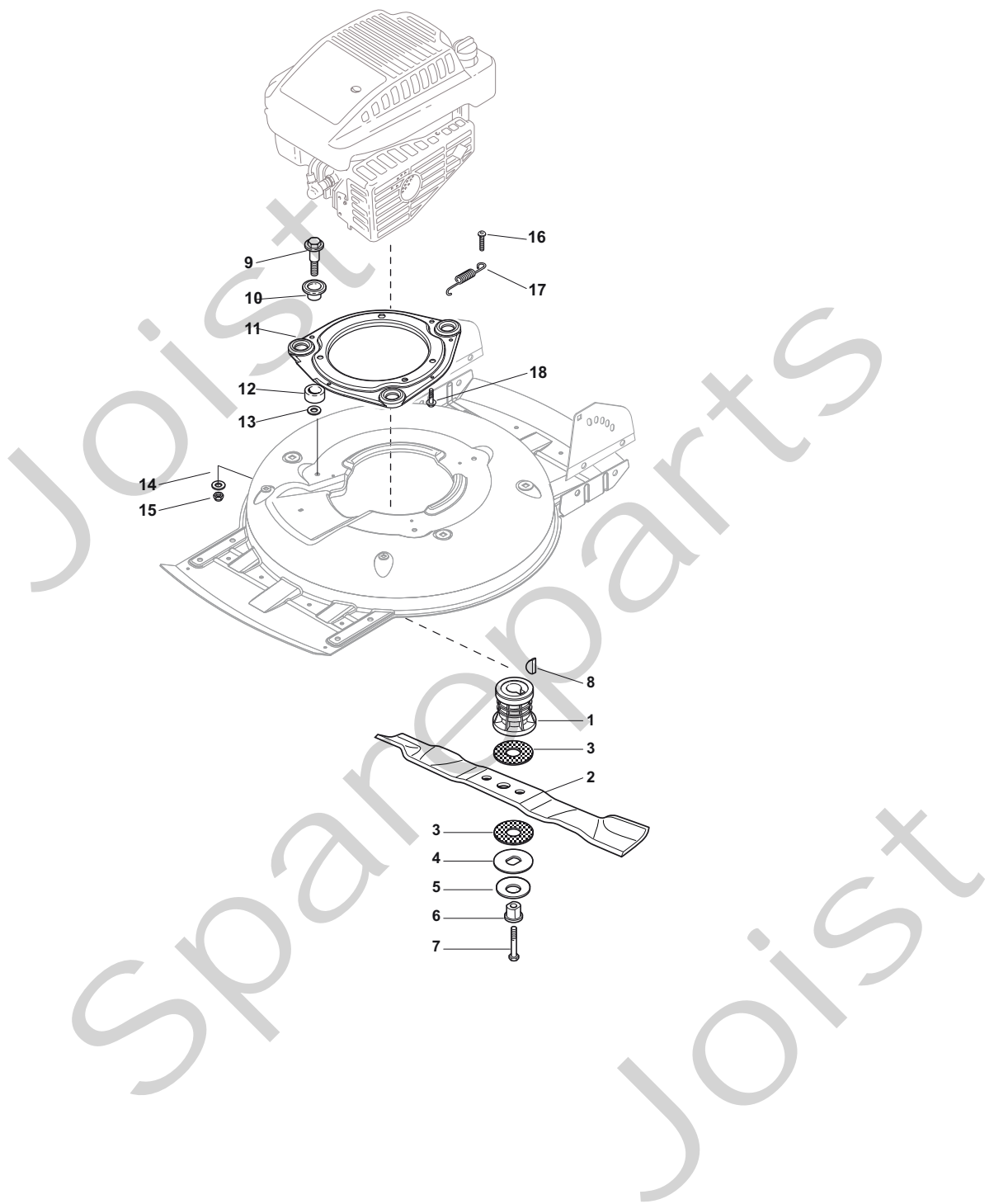
Position	Part No.	Q.Ty	Description
1	181006363/1	1	Handle, Upper Part Yellow
2	22430314/0	1	Spring
3	12154510/0	1	Nut
4	12727784/0	2	Screw
5	22671660/1	2	Washer
6	81003318/1	1	Lever, Engine Brake
7	12523040/0	2	Washer
8	12154510/0	2	Nut
9	12727783/0	1	Screw
10	181000761/1	1	Cable, Thread Engine Brake
11	22551640/0	1	Plate
12	12154510/0	1	Nut

Joist  
Spareparts  
Joist



Position	Part No.	Q.Ty	Description
1	22110419/0	4	Hub Cap
2	381007473/0	4	Wheel Ø 210
3	22122200/0	8	Bearing
4	22675100/0	4	Washer
5	12521350/0	4	Washer
6	12155000/0	4	Nut
7	12530151/0	2	Washer

Joist  
Spareparts  
Joist



Position	Part No.	Q.Ty	Description
1	122465612/1	1	Hub With Pulley, Crankshaft Ø 25
2	81004146/0	1	Blade Winged
3	22672110/1	2	Clutch Washer
4	22672105/0	1	Washer
5	12508120/0	1	Cupped Spring
6	22041940/0	1	Clutch Bush
7	12736850/0	1	Screw
8	12139150/0	1	Feather, Crankshaft Ø 25
9	22524329/0	3	Pin
10	22672201/0	3	Washer
11	322207221/1	1	Flange, Yellow
12	22250012/0	3	Grommet
13	22671651/0	3	Washer
14	12521350/0	3	Washer
15	12155000/0	3	Nut
16	12791400/0	1	Screw
17	22450444/0	1	Spring
18	112735108/1	3	Screw