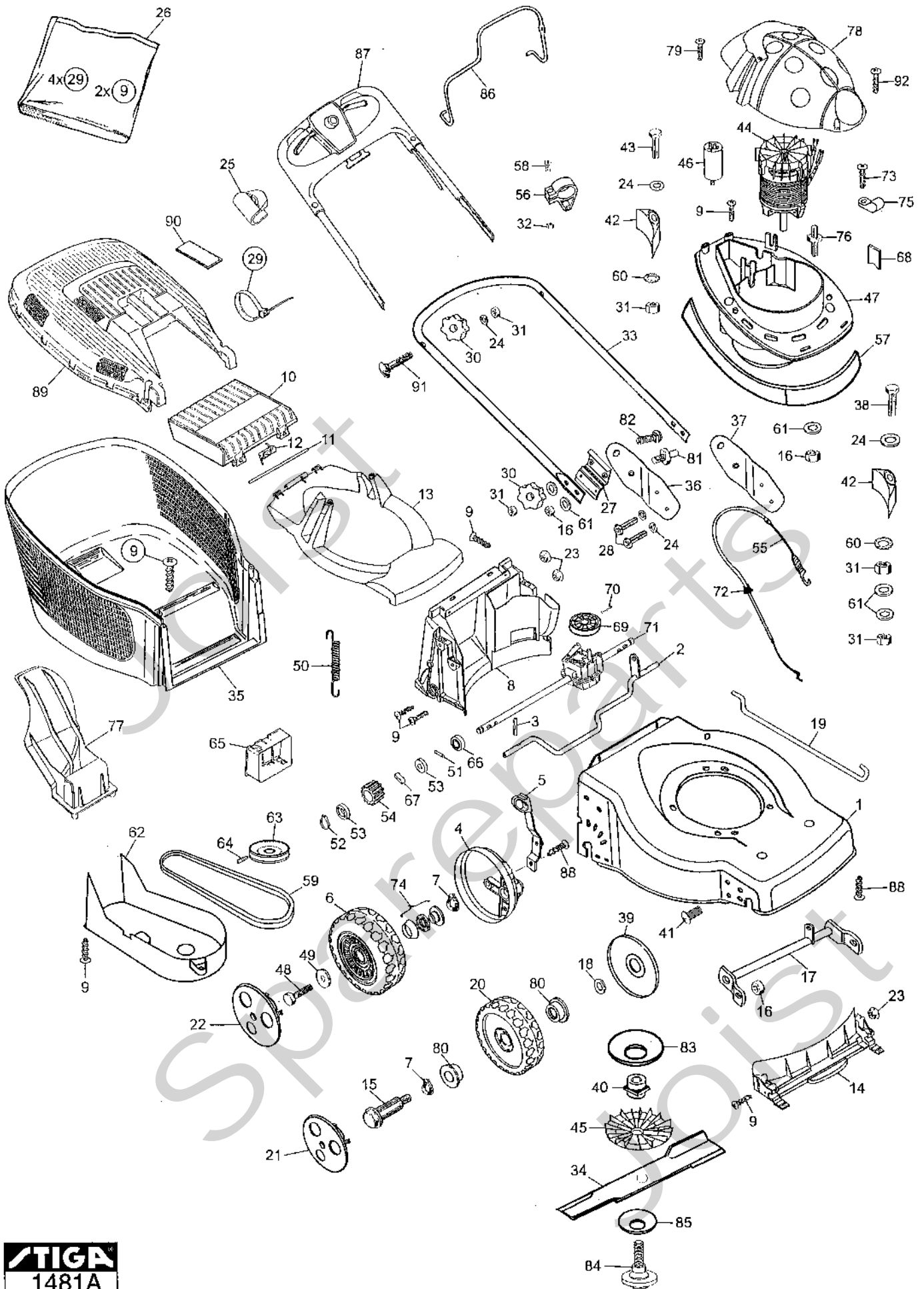


Genuine Spare Parts

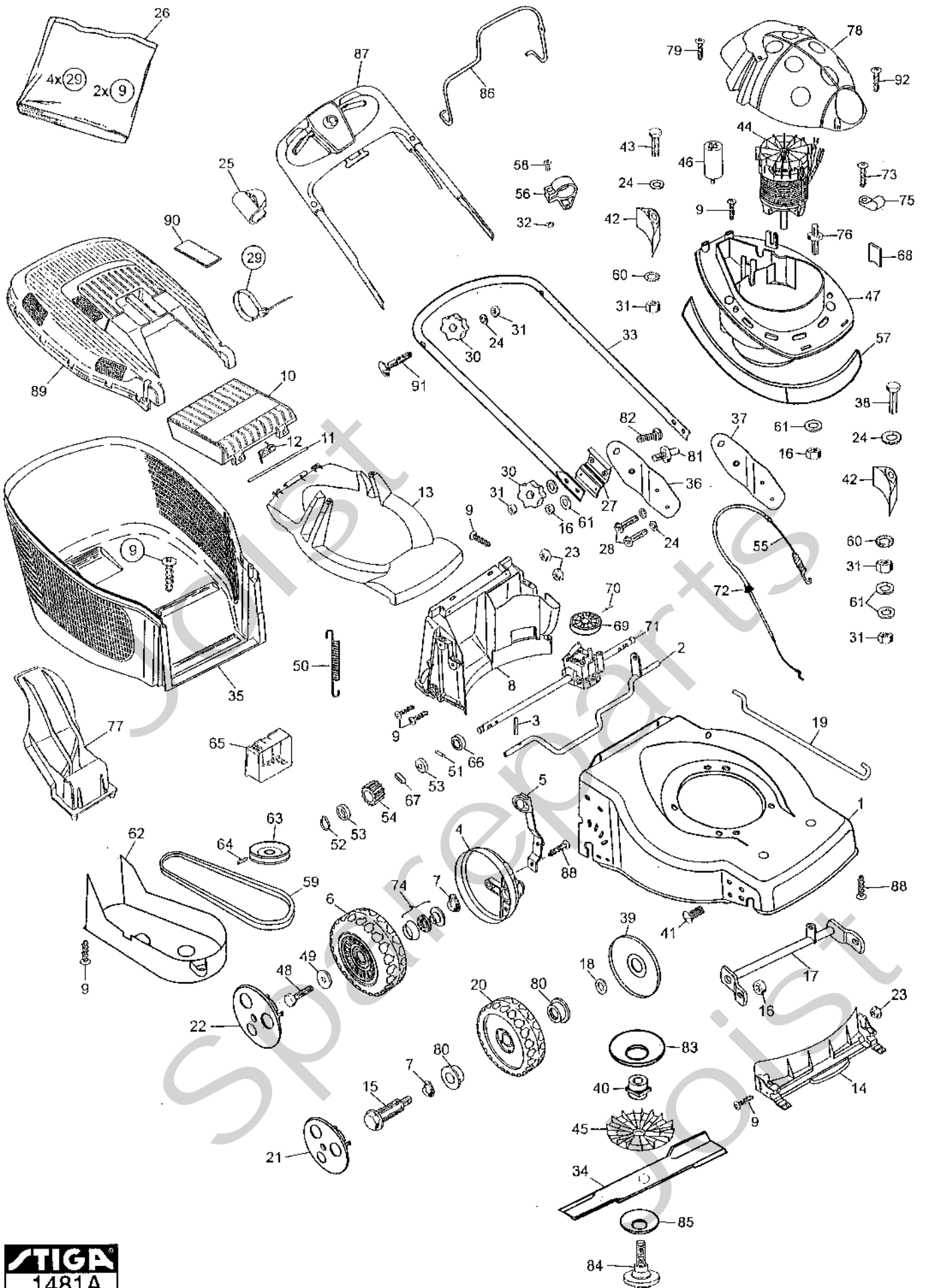


Spareparts
Joist



Utgåva Issue		Bildnr Picture No		SILENT 45S EL COMBI HERKULES ME 462S		SILENT 45S EL COMBI HERKULES ME 462S		Sida Page	
2003-43		1481A						106	
Pos. Fig.	Antal/Quantity			Art nr Part No	Benämning	Description	Sats Kit	Anmärkning Notes	
	24- 2368	744 603	744 603						
1	1	1	1	1117-3356-02	Kåpa-silver.....	Deck-silver.....			
2	1	1	1	1117-1173-01	Bakaxel.....	Shaft-backside.....			
3	2	2	2	9595-0212-00	Spännstift.....	Locating pin.....			
4	2	2	2	1117-3256-01	Hjulsköld.....	Wheel protection cap.....			
5	1	1	1	1117-1174-01	Höjdställningsspak.....	Height adjust lever.....			
6	2	2	2	1111-2665-01	Hjul kpl.....	Wheel assy.....		Inkl. pos 74	
7	4	4	4	9694-0003-00	Bricka.....	Washer.....			
8	1	1	1	1117-3008-01	Ledplåt-bakre.....	Baffle-rear.....			
9	18	18	18	9836-9516-12	Skruv.....	Screw.....			
10	1		1	1117-1156-01	Lucka-gul.....	Rear flap-yellow.....			
10		1		1117-1156-12	Lucka-röd.....	Rear flap-red.....			
11	1	1	1	1117-1143-01	Axel.....	Shaft.....			
12	1	1	1	1117-1126-01	Fjäder.....	Spring-rear flap.....			
13	1		1	1117-3377-01	Chassikåpa-gul.....	Deck cover-yellow.....			
13		1		1117-3377-03	Chassikåpa-röd.....	Deck cover-red.....			
14	1	1	1	1117-3007-01	Ledplåt-främre.....	Baffle-front.....			
15	2	2	2	1111-3164-01	Hjulbult.....	Wheel axle bolt.....			
16	8	8	8	9716-0831-02	Mutter.....	Nut.....			
17	1	1	1	1117-1334-01	Framaxel.....	Front shaft.....			
18	2	2	2	9699-0078-02	Bricka.....	Washer.....			
19	1	1	1	1117-1130-01	Höjdställningsstag.....	Connection rod.....			
20	2	2	2	1111-3163-01	Hjul.....	Wheel.....			
21		2		1111-2804-04	Navkapsel-röd.....	Hub cap-red.....			
21	2		2	1111-3084-01	Navkapsel-gul.....	Hub cap-yellow.....			
22		2		1111-2815-04	Navkapsel-röd.....	Hub cap-red.....			
22	2		2	1111-3085-01	Navkapsel-gul.....	Hub cap-yellow.....			
23	6	6	6	1117-1131-01	Flänsmutter.....	Nut.....			
24	9	9	9	9699-0028-02	Planbricka.....	Flat washer.....			
25	2	2	2	1117-1363-01	Styrstöd.....	Handle support.....			
26	1	1	1	1117-3028-01	Mont.sats.....	Assy kit.....			
27	2	2	2	1117-1192-01	Isolerplatta.....	Isolation.....			
28	4	4	4	1117-1364-01	Skruv.....	Screw.....			
29	4	4	4	9579-0008-00	Buntband.....	Cable holder.....			
30	4	4	4	1117-3194-01	Låsrratt.....	Locking knob.....			
31	8	8	8	9799-0831-02	Mutter.....	Nut.....			
32	1	1	1	9799-0631-02	Mutter.....	Nut.....			
33	1	1	1	1117-3198-01	Styre-underdel.....	Handle-lower part.....			
34	1		1	1111-9117-01	Kniv.....	Blade.....			
34		1	1	1117-3355-01	Kniv.....	Blade.....			
35	1	1	1	1117-1218-01	Uppsamlare-underdel.....	Lower grass bag.....			
36	1	1	1	1117-1310-01	Styrfläste-hö.....	Handle support-R.H.....			
37	1	1	1	1117-1309-01	Styrfläste-vå.....	Handle support-L.H.....			
38	1	1	1	9997-0880-16	Skruv.....	Screw.....		1800 W	
39	2	2	2	1117-1161-01	Hjulsköld.....	Wheel protection.....			
40	1	1	1	1117-1151-01	Knivfläste.....	Blade mount.....			
41	2	2	2	9865-0816-16	Skruv.....	Screw.....			
42	3	3	3	1117-1361-01	Motorstöd.....	Motor support.....			
43	2	2	2	9997-0870-16	Skruv.....	Screw.....			
44	1	1	1	1117-1368-01	Elmotor.....	El.motor.....			
45	1	1	1	1117-1299-01	Fläkt.....	Impeller.....			
46	1	1	1	9400-0224-00	Kondensator.....	Capacitor.....			
47	1	1	1	1117-1372-02	Motorbrunn-svart.....	Motor mount-black.....			
48	2	2	2	9997-0614-16	Skruv.....	Screw.....			
49	2	2	2	1117-1175-01	Bricka.....	Washer.....			
50	1	1	1	1117-1120-01	Fjäder.....	Spring.....			
51	2	2	2	9591-0011-00	Stift.....	Pin.....			
52	2	2	2	1117-1083-01	Låsring.....	Safety ring.....			
53	4	4	4	1111-2830-01	Stödbricka.....	Support washer.....			
54	2	2	2	1111-3075-01	Kuggjul-plasthjul.....	Pinion-plastic wheel.....			
55	1	1	1	1117-1190-01	Kopplingswire.....	Clutch cable.....			
56	1	1	1	1117-1114-01	Wirehållare.....	Support.....		Inkl. pos 72	
57	1	1	1	1117-1373-02	Motorskydd-svart.....	Motor cover-black.....			
58	1	1	1	9865-0616-16	Skruv.....	Screw.....			

X X



Utgåva Issue		Bildnr Picture No			SILENT 45S EL COMBI HERKULES ME 462S		SILENT 45S EL COMBI HERKULES ME 462S		Sida Page	
2003-43		1481A							108	
Pos. Fig.	Antal/Quantity			Art nr Part No	Benämning	Description	Sats Kit	Anmärkning Notes		
	24- 2368	744 603	744 603							
	1			1111-9114-01	Drivrem	Drive belt.....				
		1	1	1117-3017-01	Kilrem	V-belt.....				
	3	3	3	9678-0009-02	Låsbricka	Lock washer.....				
	10	10	10	9699-0062-02	Planbricka.....	Flat washer.....				
	1	1	1	1117-1147-01	Transmissionskäpa.....	Transmission cap.....				
	1	1	1	1117-3266-01	Remskiva	Pulley				
	1	1	1	9907-0610-16	Stoppskruv	Screw				
	1	1	1	1111-2927-01	Batterihållare	Battery holder				
	2	2	2	9549-0053-00	Kullager	Ball bearing				
	2	2	2	1111-3256-01	Drivkil	Drive key				
	1	1	1	1117-1359-01	Klämma	Clamp.....				
	1	1	1	1117-3018-01	• Remskiva.....	• Pulley.....				
	1	1	1	1111-2382-01	• Cyl.pinne.....	• Pin.....				
X	1	1	1	1117-3376-01	Transmission.....	Transmission.....		Inkl. pos 69, 70		
	1	1	1	1134-3203-04	• Hylsa.....	• Cable protector.....				
	1	1	1	9849-7819-16	Skruv.....	Screw.....				
	2	2	2	1111-3296-01	• Kullager	• Ball bearing				
	1	1	1	1117-1245-01	Kabelklämma	Cable clamp				
	4	4	4	1117-1112-01	Bult	Bolt				
	1	1	1	1117-3001-01	Mulcherplugg	Mulch plug.....				
X	1		1	1117-3378-01	Motorkäpa-gul	Motor cover-yellow				
X		1		1117-3378-03	Motorkäpa-röd	Motor cover-red				
	2	2	2	9836-9525-12	Skruv	Screw				
	4	4	4	9549-0053-00	Kullager	Ball bearing				
	2	2	2	1117-1267-01	Bult	Bolt				
	2	2	2	9898-0835-12	Skruv	Screw				
	1	1	1	1117-1358-01	Skydd	Motor shaft protectio				
	1	1	1	1117-1169-01	Knivbult	Blade bolt.....				
	1	1	1	1117-1111-01	Knivbricka.....	Disc washer				
	1	1	1	1117-1378-01	• Manöverbygel.....	• Control handle.....				
	1	1	1	1117-3211-01	Styre ö-del m.brytare.....	Handle upper w.switch.....		Inkl. pos 25, 86		
	4	4	4	9836-9512-12	Skruv	Screw				
	1		1	1117-1157-01	Uppsamlarlock-gul.....	Grassbag cover-yellow		Inkl. pos 90		
		1		1117-1157-08	Uppsamlarlock-röd	Grassbag cover-red		Inkl. pos 90		
	1		1	1117-1135-01	• Lock-gul.....	• Cover-yellow.....				
		1		1117-1135-02	• Lock-svart.....	• Cover-black				
	2	2	2	9898-0855-12	Skruv	Screw				
X	2	2	2	1117-3384-01	Skruv	Screw				