

Genuine Spare Parts

www.stiga.com

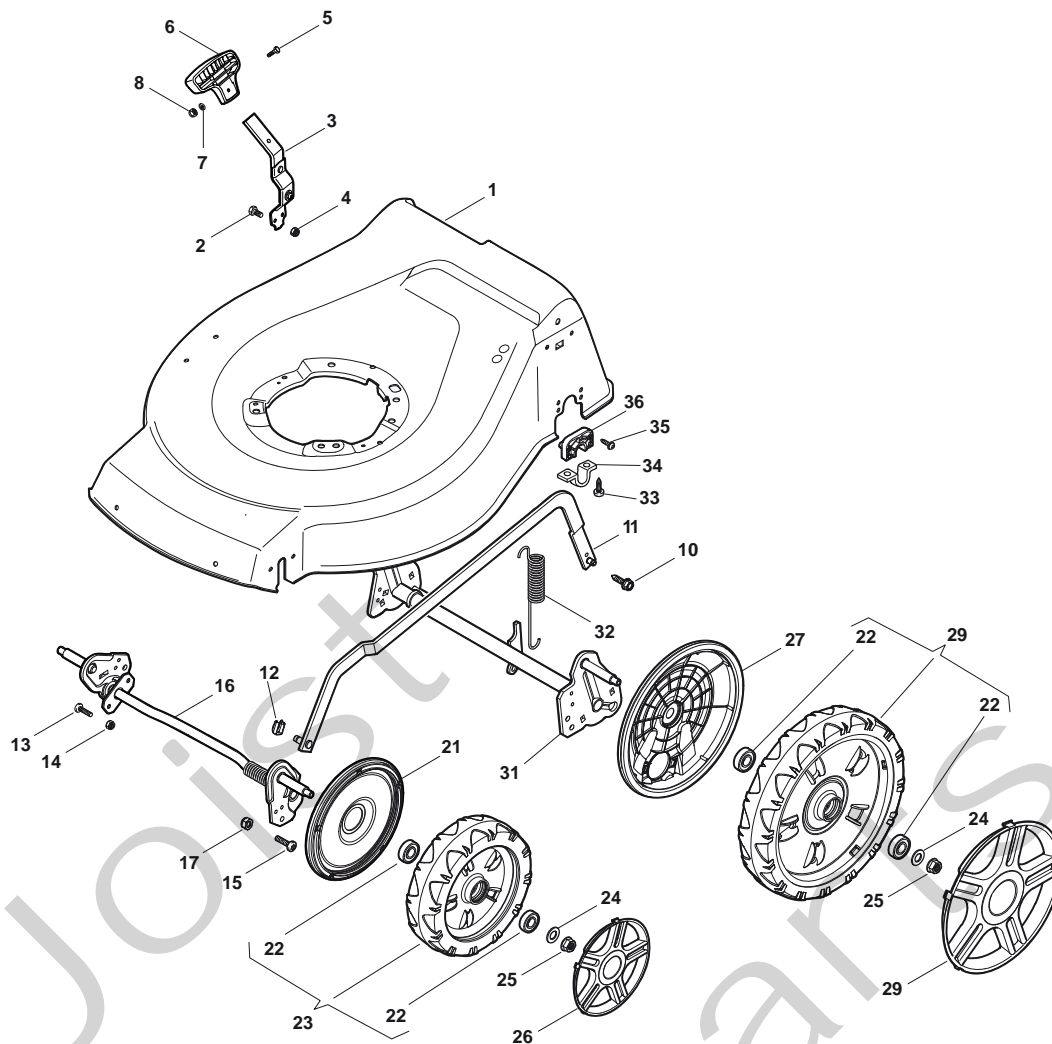
TURBO 48 EL S BW PLUS Model Year 2010

- Use GLOBAL GARDEN PRODUCT Genuine Spare Parts specified in the parts list for repair and/or replacement.
- The contents described in the parts list may change due to improvement.
- The drawings of the spare parts are only indicative and might not represent the part in question exactly.
- The indications "right" - "left" - "front" - "rear" refer to the position of the operator when using the machine.
- When placing orders of parts for repair and/or replacement, make sure that the illustrated parts list is the one applying to the machine's year of manufacture, as shown on the identification plate attached to the machine.

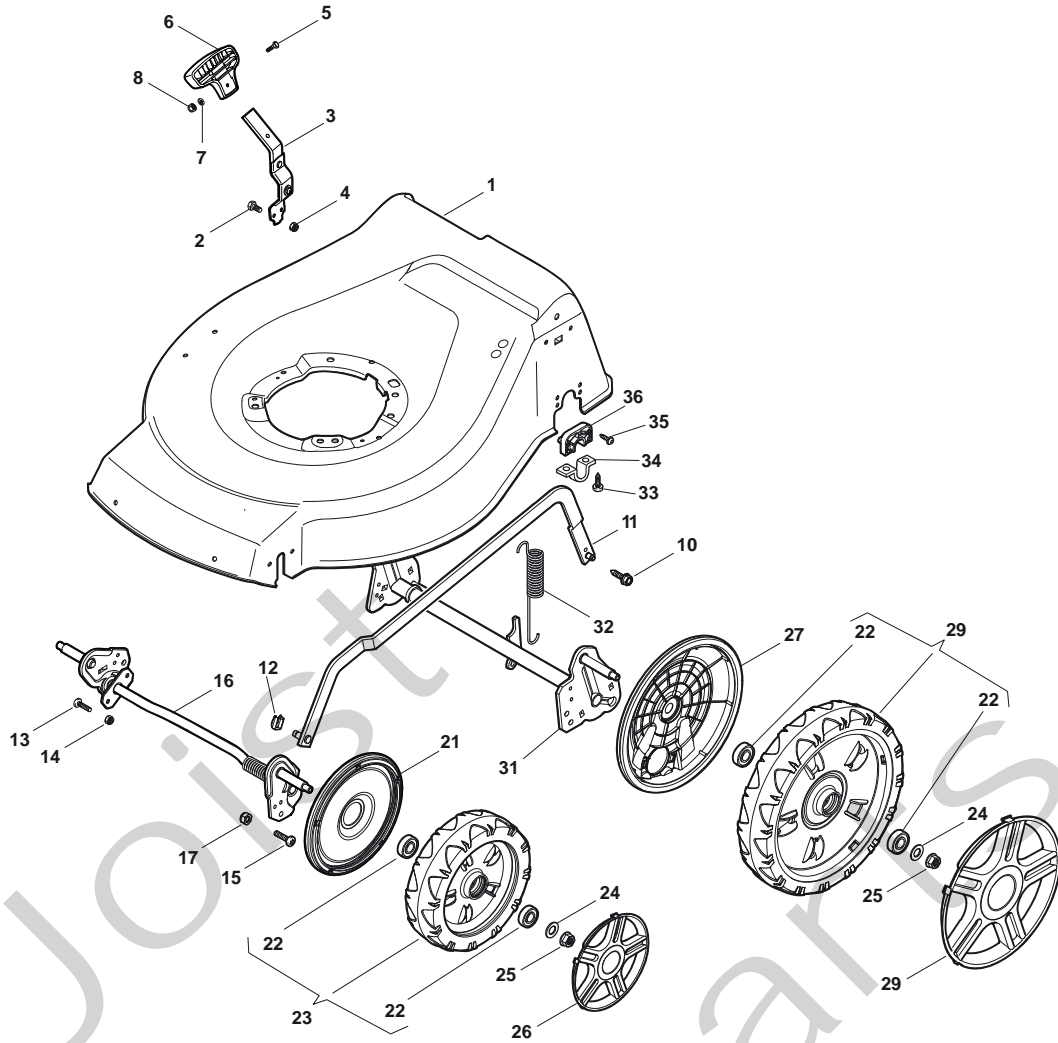
COPYRIGHT by GLOBAL GARDEN PRODUCTS

All rights reserved. No part of this material may be reproduced or transmitted, in any form or by any means, electronic or mechanical, including photocopying, recording or by any information storage and retrieval system, without permission in writing from GLOBAL GARDEN PRODUCTS.

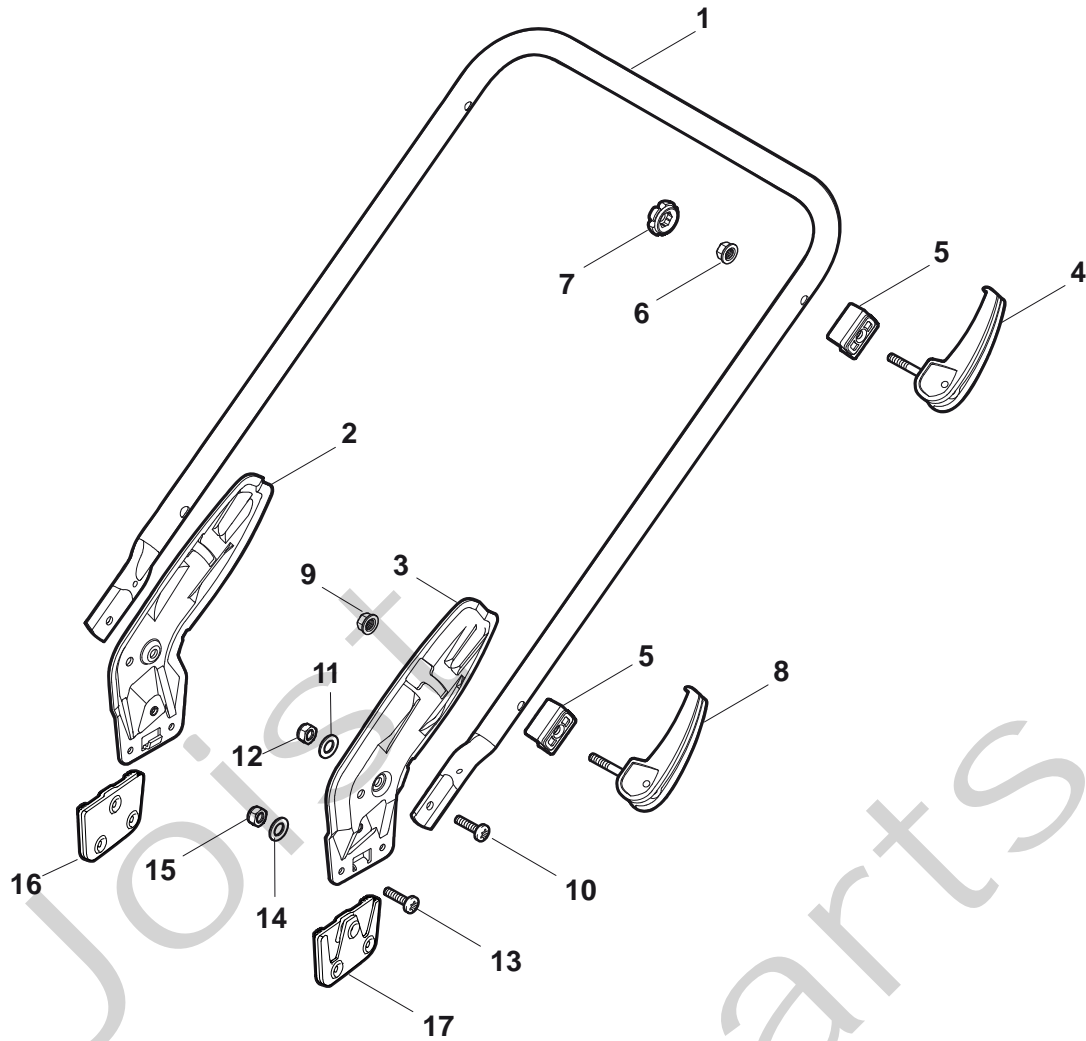
The STIGA logo is located in the bottom right corner of the page. It consists of the word "STIGA" in a bold, white, sans-serif font, with a registered trademark symbol (®) to its upper right. The text is set against a black rectangular background.

TURBO 48 EL S BW PLUS - Model Year 2010


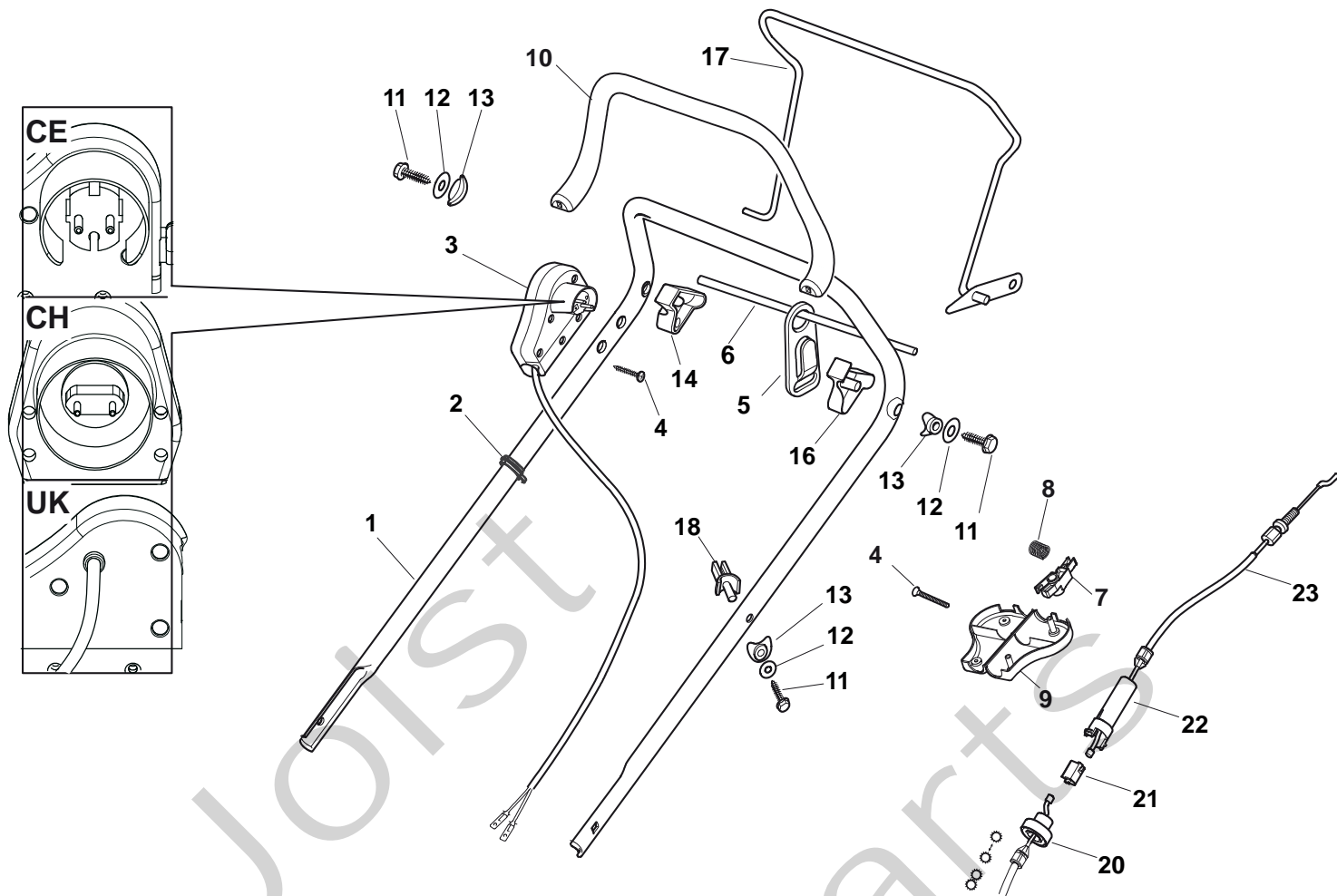
Pos. Fig.	Antal Quantity	Art No Part No	Benämning	Description	Anmärkning Notes
1	1	381003914/0	Chassi-gul	Deck Yellow	484
2	2	12789000/0	Skruv	Screw	
3	1	381003339/1	Höjdinst.spak	Lever, Height Adjustment	
4	2	12154330/0	Mutter	Nut	
5	1	12788512/0	Skruv	Screw	
6	1	322394503/0	Knopp	Knob	
7	1	12521310/0	Bricka	Washer	
8	1	12150000/0	Mutter	Nut	
10	1	122943013/0	Skruv	Screw	
11	1	381002030/0	Höjdinställn.stång	Rod, Height Adjustment	484
12	1	112436051/0	Plåt	Plate	
13	3	112727803/0	Skruv	Screw	
14	3	12154510/0	Mutter	Nut	
15	1	112727801/0	Skruv	Screw	
16	1	381002883/0	Hjulaxel	Axle, Front Wheels	484
17	1	12154510/0	Mutter	Nut	
21	2	322600145/0	Hjulsydd	Protection, Wheel	
22	8	19216035/0	Lager	Bearing	
23	2	381007416/0	Stödhjul	Wheel Ø 200	
24	4	12521350/0	Bricka	Washer	
25	4	12155000/0	Mutter	Nut	
26	4	22110492/0	Navkapsel	Hub Cap, Grey D.210	
27	2	322600194/0	Hjulsydd	Protection, Wheel	
28	2	381007417/0	Stödhjul	Wheel Ø 280	
29	2	322110560/0	Navkapsel-grå	Hub Cap, Grey D.300	
31	1	381002893/0	Hjulaxel	Axle, Rear Wheels	
32	1	122450460/0	Fjäder	Spring	
33	4	112728697/0	Skruv	Screw	

TURBO 48 EL S BW PLUS - Model Year 2010


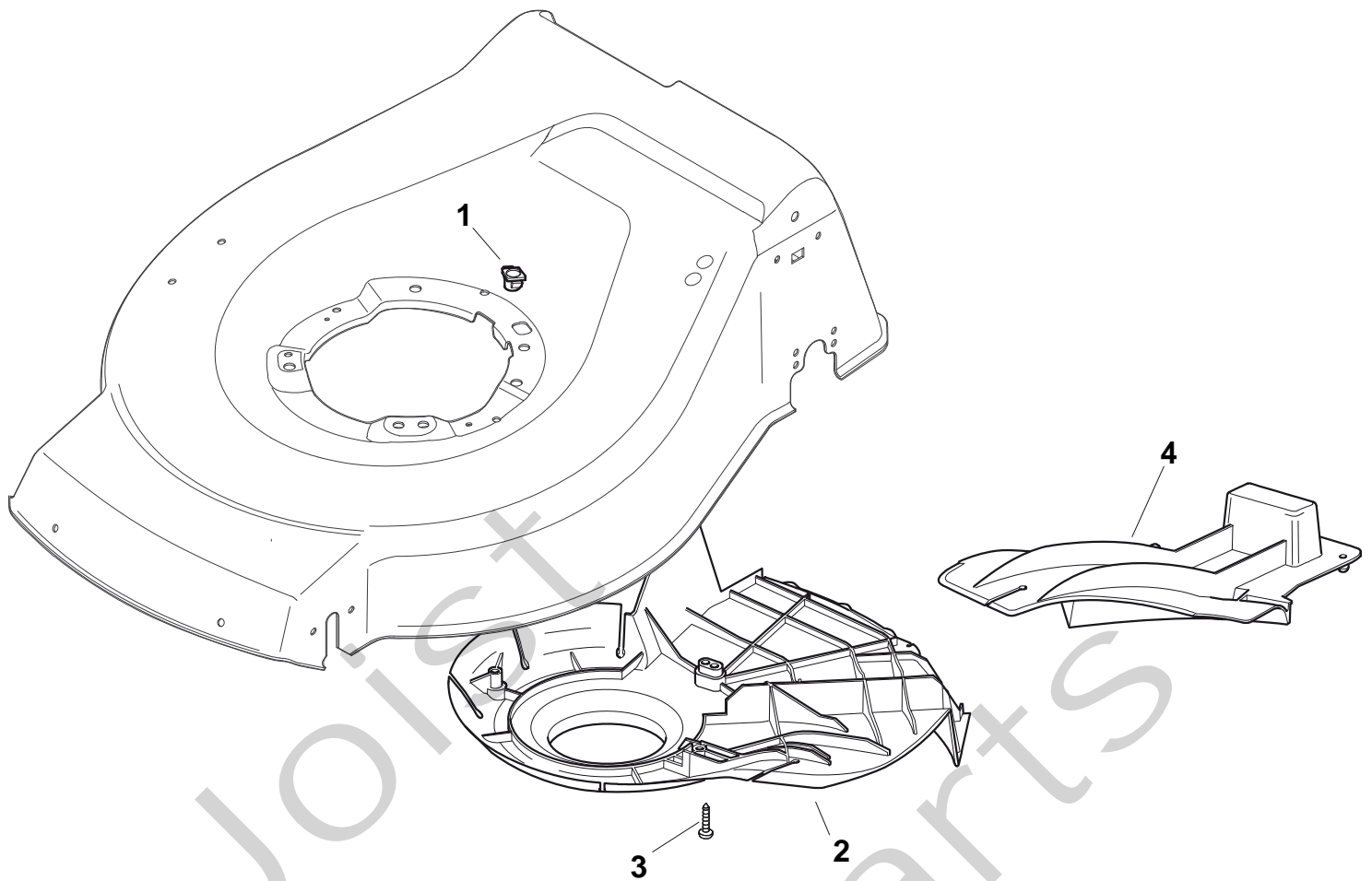
Pos. Fig.	Antal Quantity	Art No Part No	Benämning	Description	Anmärkning Notes
34	2	22545152/0	Bygel	Plate	
35	4	112728697/0	Skruv	Screw	
36	2	322785304/0	Stöd	Support	



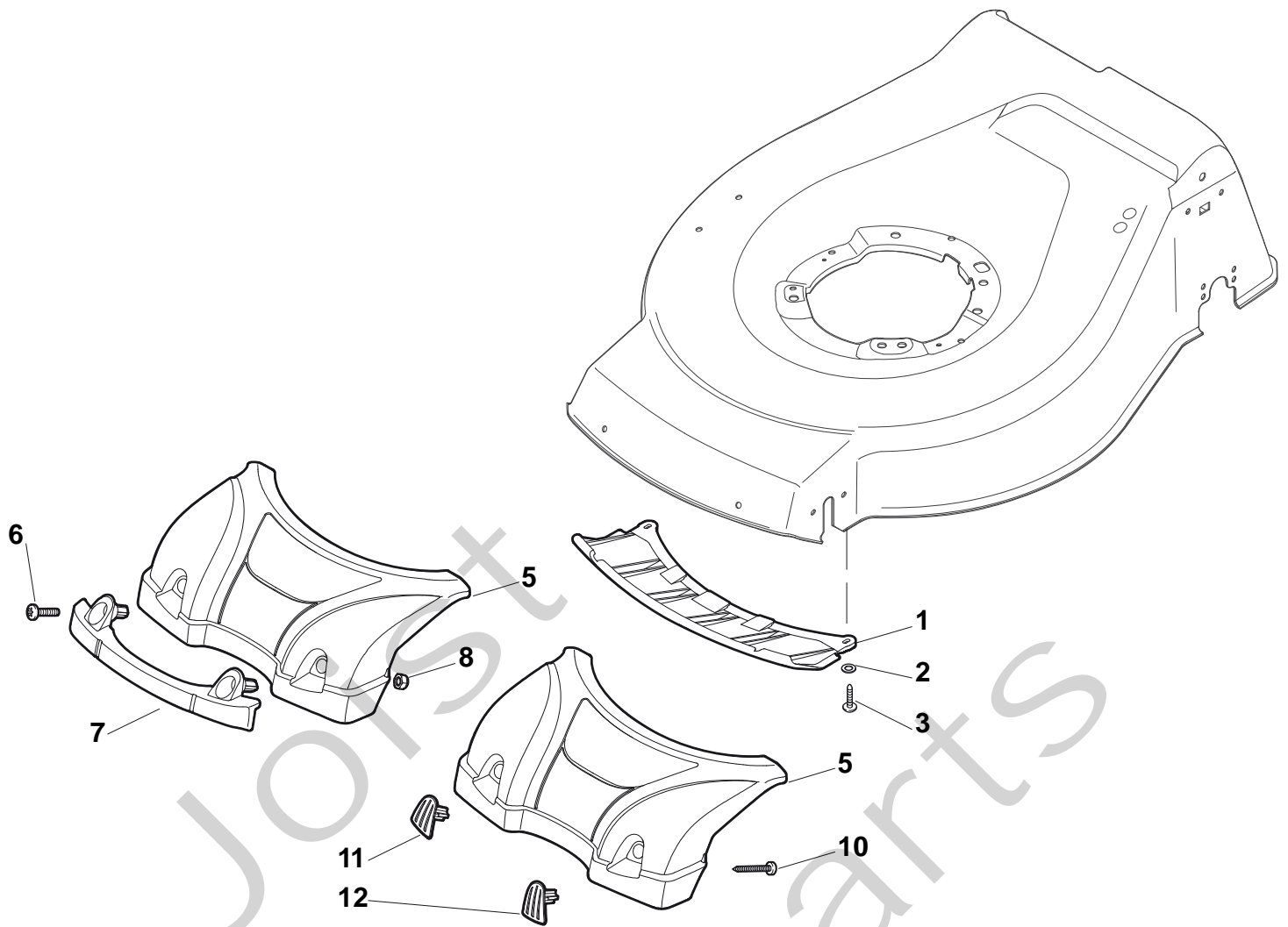
Pos. Fig.	Antal Quantity	Art No Part No	Benämning	Description	Anmärkning Notes
1	1	381006889/0	Styre-underdel	Handle, Lower Part	
2	1	381005125/0	Fäste-hö	Bracket, R	
3	1	381005127/0	Fäste-vä	Bracket, L	
4	2	381003253/0	Knopp	Knob	
5	4	322680016/0	Bricka	Washer	
6	2	22131750/0	Mutter	Nut	
7	2	322399835/0	Knopp	Knob	
8	2	381003254/0	Knopp	Knob	
9	2	112154220/0	Mutter	Nut	
10	2	12760605/0	Skruv	Screw	
11	2	12521350/0	Bricka	Washer	
12	2	12155000/0	Mutter	Nut	
13	6	112727803/0	Skruv	Screw	
14	6	12523040/0	Bricka	Washer	
15	6	12154510/0	Mutter	Nut	
16	1	322551580/0	Isoleringsplatta	Isolation Plate	
17	1	322551581/0	Isoleringsplatta	Isolation Plate	



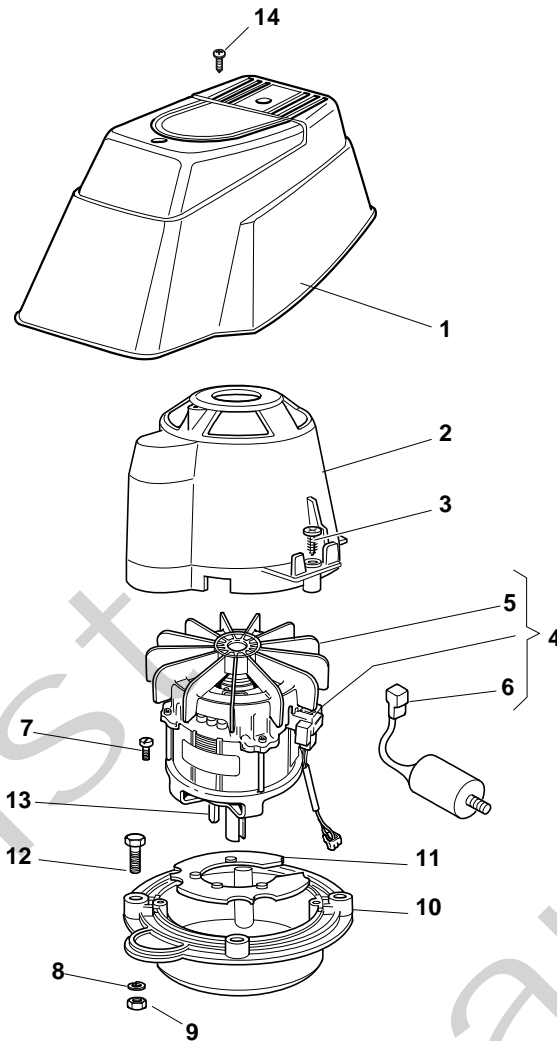
Pos. Fig.	Antal Quantity	Art No Part No	Benämning	Description	Anmärkning Notes
1	1	81006603/0	Styre-överdel	Handle, Upper Part	
2	2	22192000/1	Kabelhållare	Clamp	
3	1	381600503/2	Manöverdosa	Dead Hand Switch	CE
3	1	381600504/2	Manöverdosa	Dead Hand Switch	CH
3	1	381600505/2	Manöverdosa	Dead Hand Switch	UK
4	4	12728701/0	Skruv	Screw	
5	1	22195101/4	Kabelhållare	Fairlead	
6	1	22010251/0	Stång	Rod, Fairlead Bearing	
7	1	322230350/1	Vridpunkt	Fulcrum Pin	
8	1	22450115/0	Fjäder	Spring	
9	1	22785144/0	Hållare	Support	
10	1	322322885/1	Reglagebygel	Lever, Engine Brake	
11	3	12735103/0	Skruv	Screw	
12	3	12523040/0	Bricka	Washer	
13	3	22680006/1	Bricka	Washer	
14	1	322806518/2	Stöd-hö	Support, R	
15	1	22020320/0	Hållare	Fairlead Bearing	
16	1	322806519/2	Stöd-vå	Support, L	
17	1	81001245/1	Reglagebygel-drivning	Driving Lever	
18	1	22806520/0	Support, Adjuster	Support, Adjuster	
20	1	22246031/0	Lower Joint	Lower Joint	
21	1	22042040/0	Isoleringshylsa	Isolation Compass	
22	1	22246030/0	Upper Joint	Upper Joint	
23	1	81001150/0	Kopplingswire	Cable, Rear Drive Upper	



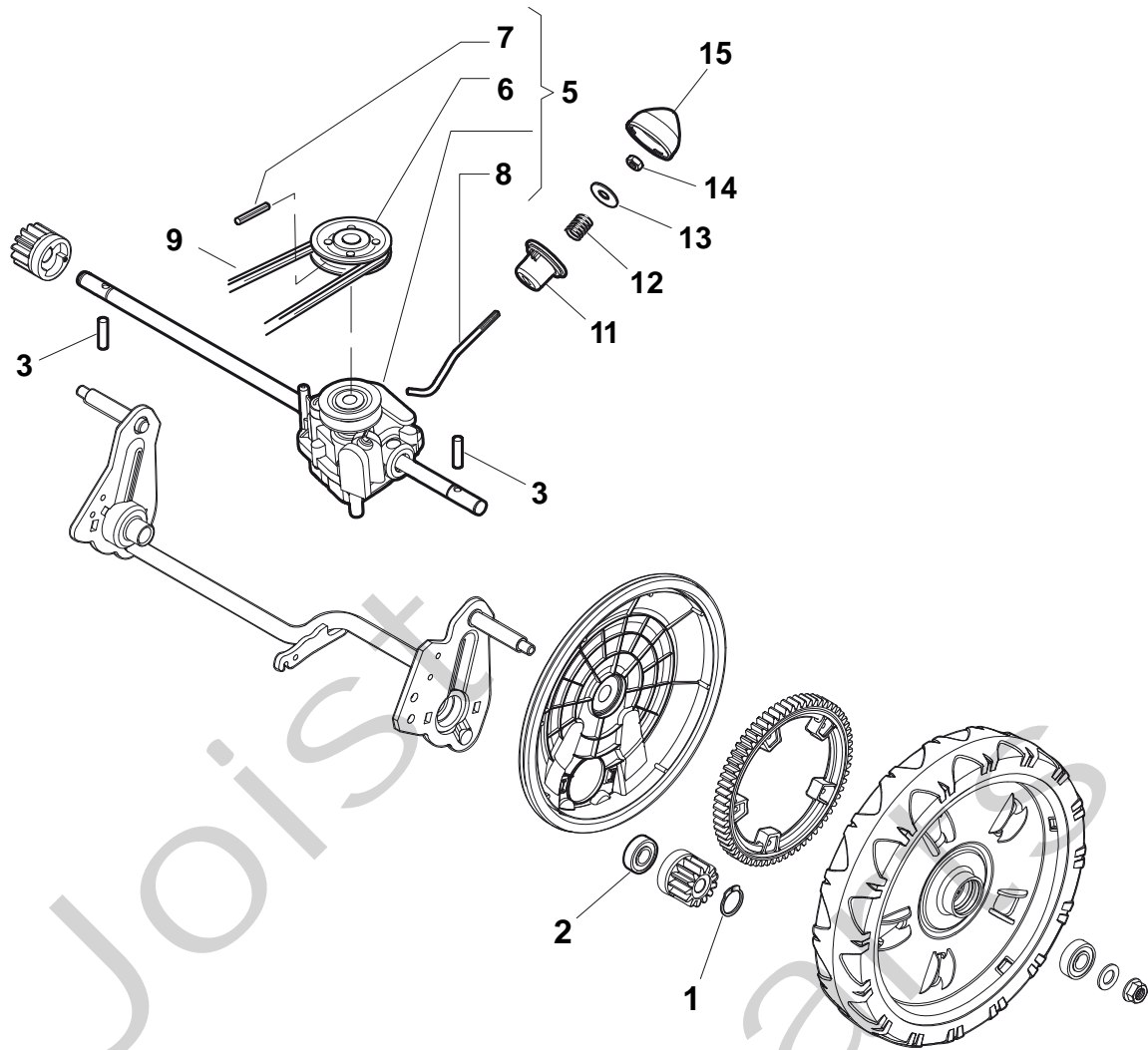
Pos. Fig.	Antal Quantity	Art No Part No	Benämning	Description	Anmärkning Notes
1	1	22291150/0	Gummihylsa	Rubber Insert	
2	1	22060198/0	Remskydd	Protection	
3	3	12728530/0	Skruv	Screw	
4	1	22140223/0	Mulchplugg	Deflector	



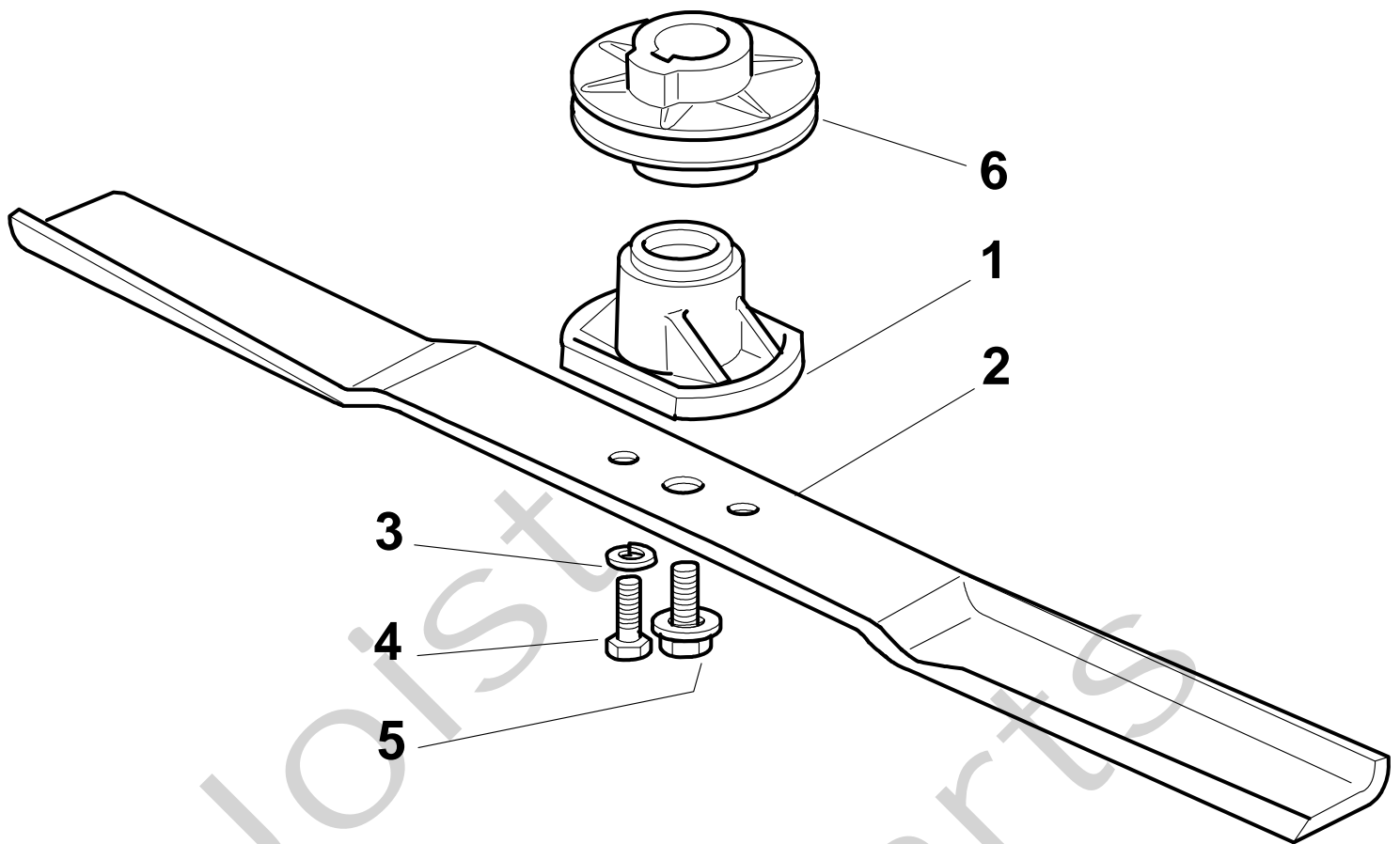
Pos. Fig.	Antal Quantity	Art No Part No	Benämning	Description	Anmärkning Notes
1	1	322500102/0	Air Intake Grill	Air Intake Grill	
2	2	112523000/1	Bricka	Washer	
3	2	12728124/0	Skruv	Screw	
5	1	322226151/0	Frontkåpa-svart	Mask, Black	
6	2	112727799/0	Skruv	Screw	
7	1	322393640/0	Handtag-gul	Handle, Yellow	
8	2	12154510/0	Mutter	Nut	
10	2	112728697/0	Skruv	Screw	
11	1	322820082/0	Lock svart	Cap, Black	
12	1	322820083/0	Lock svart	Cap, Black	



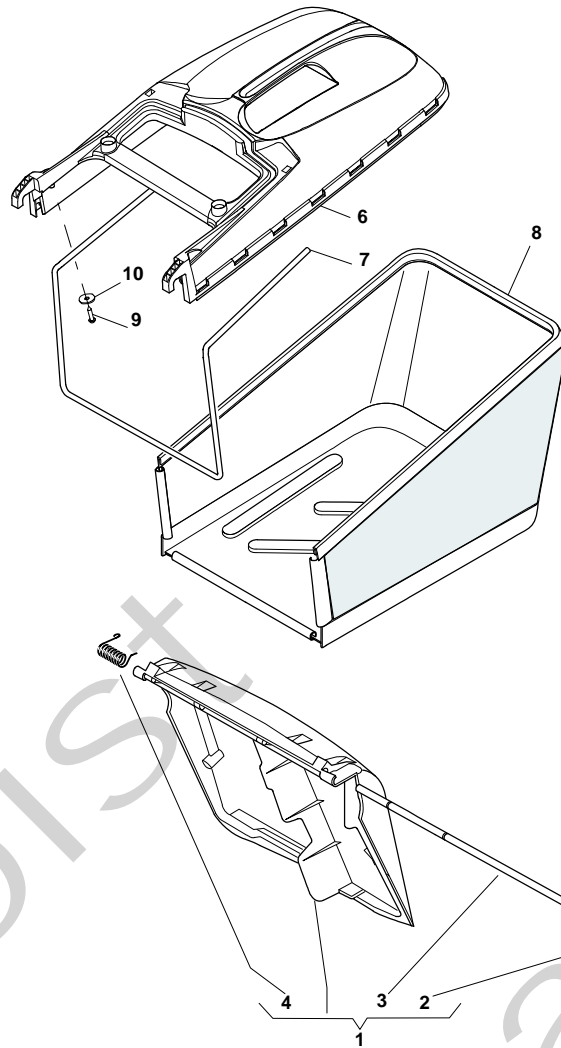
Pos. Fig.	Antal Quantity	Art No Part No	Benämning	Description	Anmärkning Notes
1	1	22055045/1	Motorkåpa	Cover	
2	1	22785210/0	Kåpstöd	Support, Cover	
3	4	12728710/0	Skruv	Screw	
4	1	118563641/1	Elmotor Atb	Motor Atb	
5	1	18740054/0	Fläkt	Fan Motor Atb	
6	1	18222045/0	Kondensator	Condenser 16 µf	
7	4	12735410/0	Skruv	Screw	
8	4	12583500/0	Låsbricka	Grower	
9	4	12293200/0	Mutter	Nut	
10	1	322207211/4	Fläns	Flange	
11	1	322720360/2	Ventilationsskärm	Ventilation Screen	
12	4	12793700/0	Skruv	Screw	
13	1	12139440/0	Kil	Feather	
14	2	12728680/0	Skruv	Screw	



Pos. Fig.	Antal Quantity	Art No Part No	Benämning	Description	Anmärkning Notes
1	4	12608600/0	Låsring	Snap Ring	
2	2	19216035/0	Lager	Bearing	
3	2	22753000/0	Stift	Pin	
5	1	81003092/0	Transmission	Gear Box	
6	1	22601904/0	Remskiva	Pulley	
7	1	12645705/0	Stift	Pin	
8	1	22033283/0	Justerstång	Adjustment Rod	
9	1	35063800/0	Drivrem	Belt	
11	1	22041957/1	Bussning	Bush	
12	1	22450063/0	Fjäder	Spring	
13	1	22680009/0	Bricka	Washer	
14	1	12154510/0	Mutter	Nut	
15	1	22110230/0	Lock	Cap	



Pos. Fig.	Antal Quantity	Art No Part No	Benämning	Description	Anmärkning Notes
1	1	322463186/3	Nav	Hub	
2	1	81004346/3	Kniv	Blade Standard	
3	2	12583500/0	Låsbricka	Grower	
4	2	12793102/0	Skruv	Screw	
5	1	81004352/0	Skruv	Screw	
6	1	22601911/1	Remskiva	Pulley	



Pos. Fig.	Antal Quantity	Art No Part No	Benämning	Description	Anmärkning Notes
1	1	381008081/0	Lucka	Stone-Guard, Black	
2	1	122450466/0	Fjäder vä	L Spring	
3	1	22517906/1	Axel	Pin	
4	1	122450465/0	Fjäder-hö	R Spring	
6	1	22486101/0	Uppsamlare-överdel	Grass-Box, Upper	
7	1	22608525/0	Trådbygel	Stiffening Lower	
8	1	81002211/0	Uppsamlingsäck	Box, Fabric	
9	2	12728680/0	Skruv	Screw	
10	2	12523050/0	Bricka	Washer	