

Genuine Spare Parts

www.stiga.com

COMBI 48 ES Model Year 2012

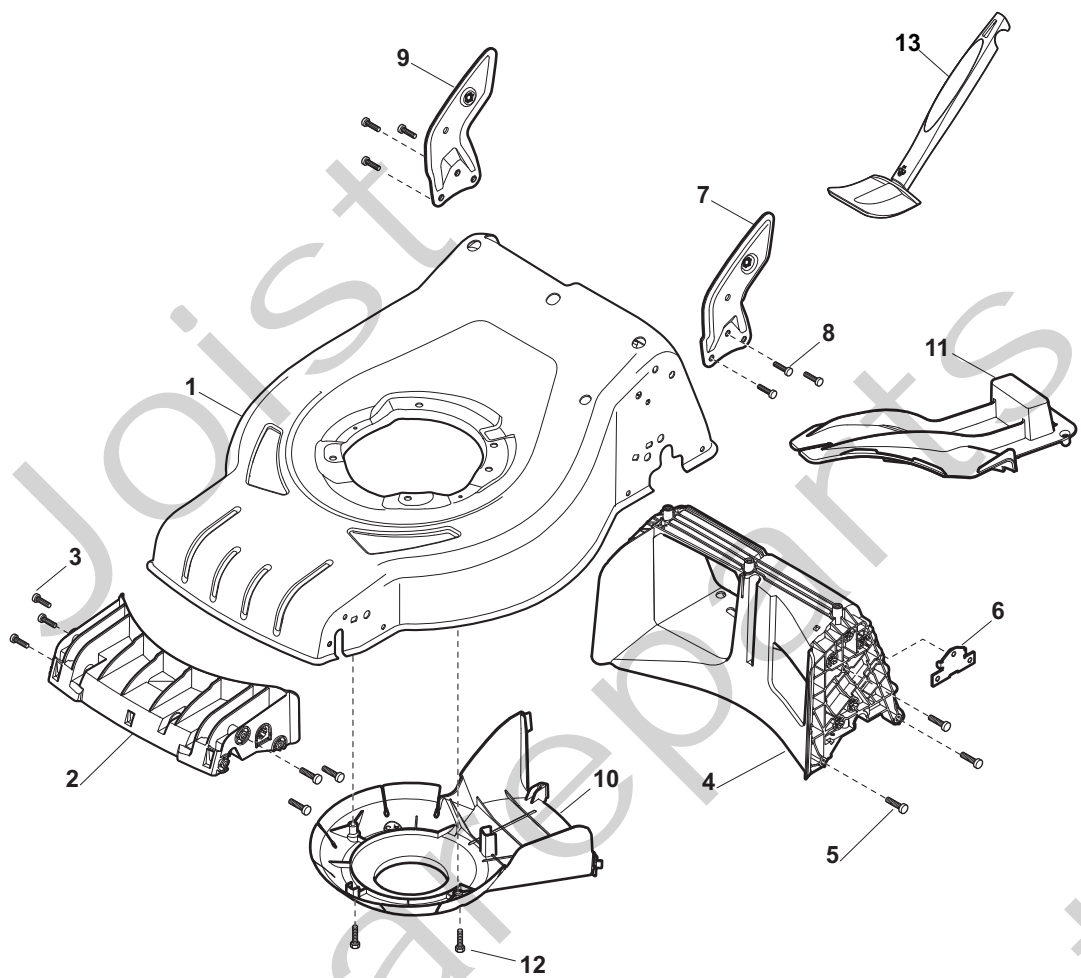
- Use GLOBAL GARDEN PRODUCT Genuine Spare Parts specified in the parts list for repair and/or replacement.
- The contents described in the parts list may change due to improvement.
- The drawings of the spare parts are only indicative and might not represent the part in question exactly.
- The indications "right" - "left" - "front" - "rear" refer to the position of the operator when using the machine.
- When placing orders of parts for repair and/or replacement, make sure that the illustrated parts list is the one applying to the machine's year of manufacture, as shown on the identification plate attached to the machine.

© Copyright 2012 Global Garden Products

All content is subject to copyright by Global Garden Products and may not be reproduced in whole or in part by any means, electronic or otherwise, without prior written approval.

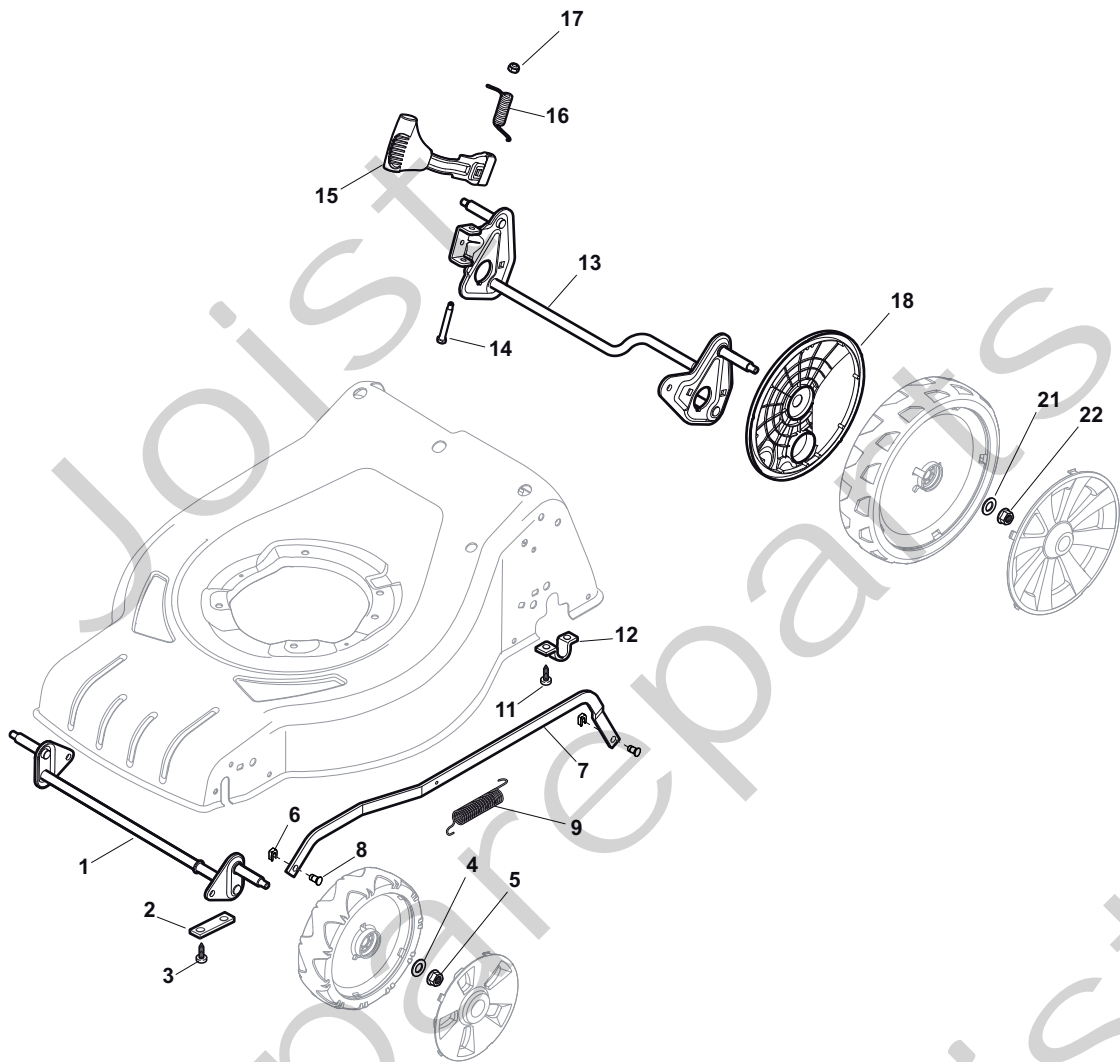
THIS INFORMATION IS NOT INTENDED FOR SALE OR RESALE, AND THIS NOTICE MUST REMAIN ON ALL COPIES.

STIGA®



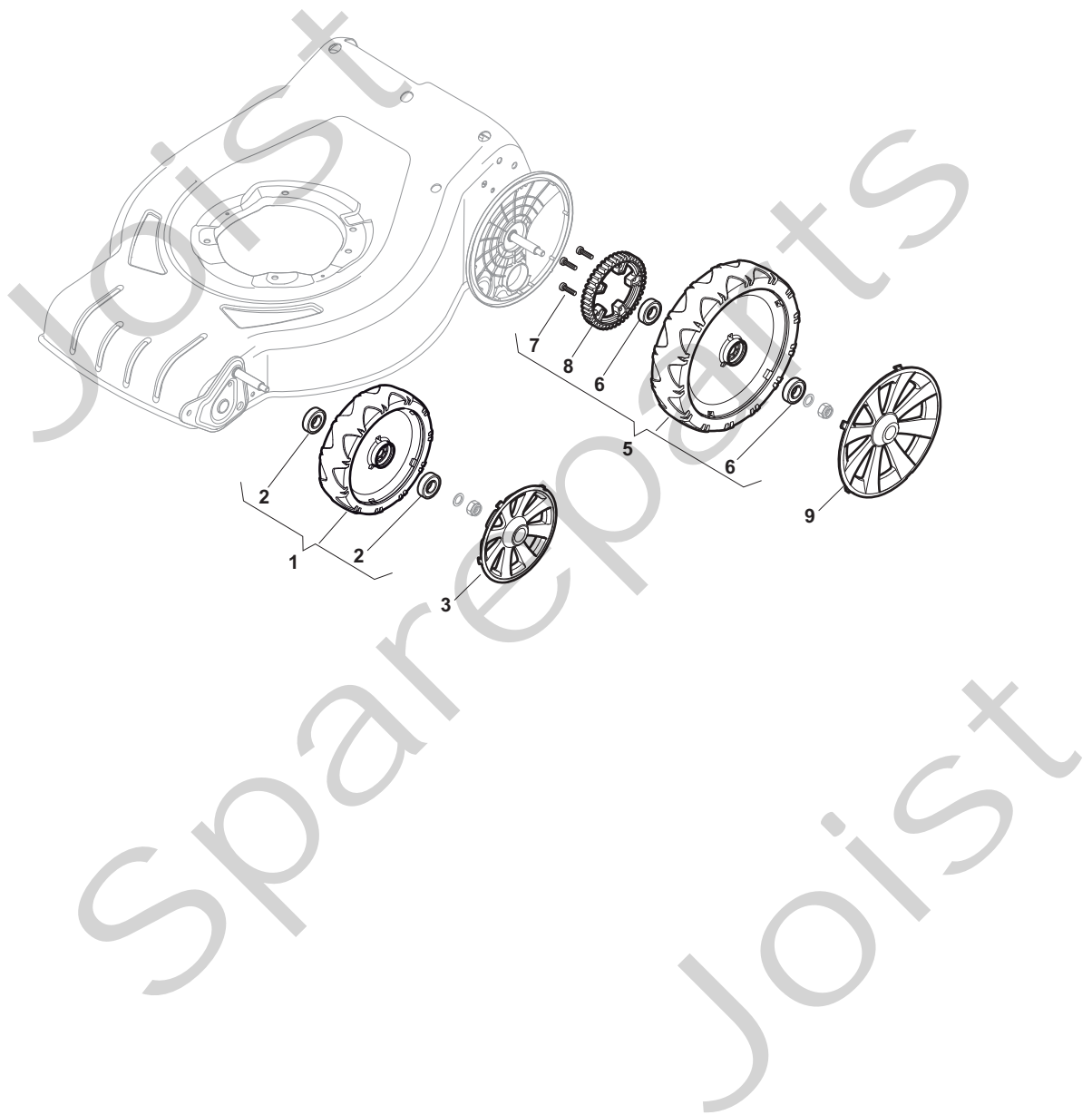
Position	Part No.	Q.Ty	Description
1	381004024/0	1	Deck Black
2	322108301/0	1	Front Conveyor Assy
3	112728699/0	6	Screw
4	322108302/0	1	Rear Conveyor Assy
5	112728699/0	6	Screw
6	322545213/0	2	Plate
7	381005139/0	1	Bracket, L
8	112727801/0	6	Screw
9	381005137/0	1	Bracket, R
10	322060242/0	1	Protection, Belt
11	322140239/0	1	Deflector
12	12728530/0	2	Screw
13	113300215/0	1	Scraper

Joist
Spareparts
Joist



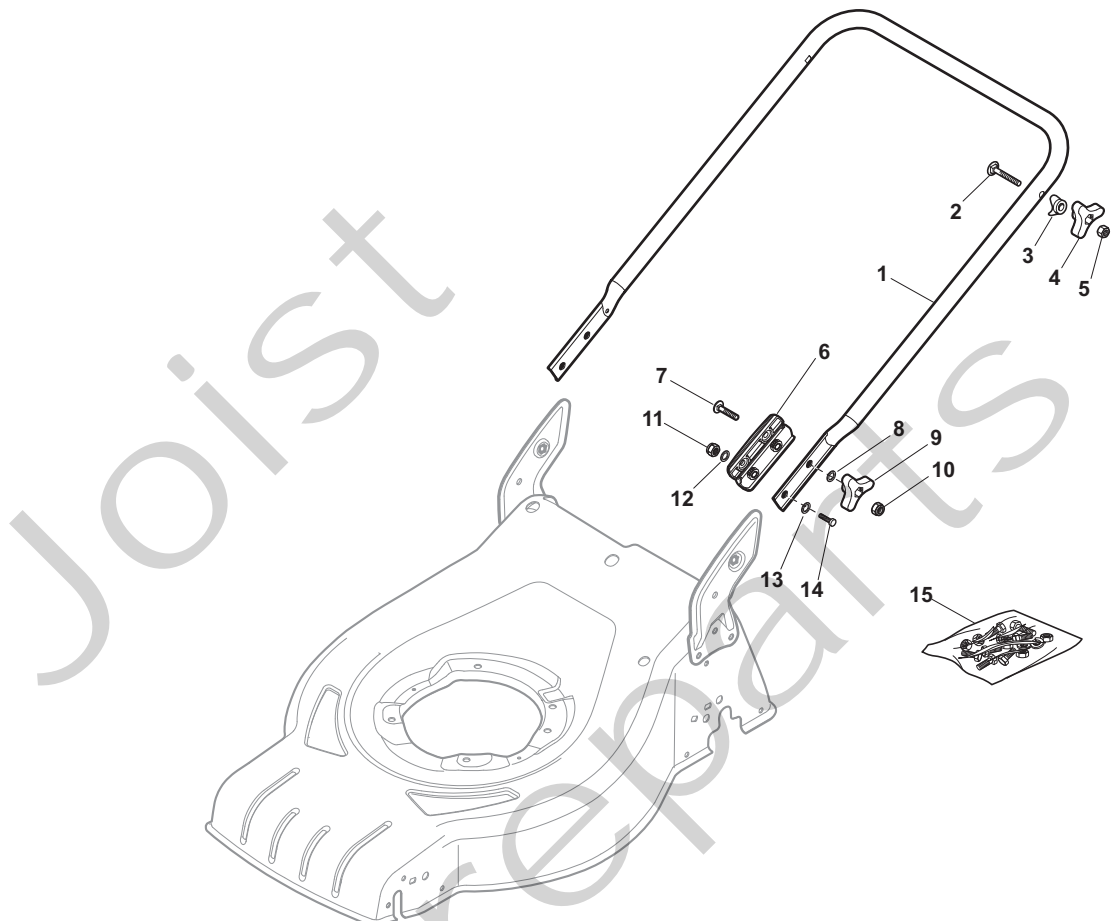
Position	Part No.	Q.Ty	Description
1	381302821/0	1	Axle, Front Wheels
2	22545142/0	2	Plate
3	112728698/0	4	Screw
4	12521350/0	2	Washer
5	12155000/0	2	Nut
6	112436051/0	2	Plate
7	322869673/0	1	Rod, Height Adjustment
8	122519820/0	2	Pin
9	122446193/0	1	Spring
11	112728698/0	4	Screw
12	22545152/0	2	Plate
13	381302817/0	1	Axle, Rear Wheels
14	122534131/0	1	Pin
15	381003357/0	1	Lever, Height Adjustment
16	122446192/0	1	Spring
17	12154510/0	1	Nut
18	322600205/0	2	Protection, Wheel
21	12521350/0	2	Washer
22	12155000/0	2	Nut

Joist Spareparts Joist



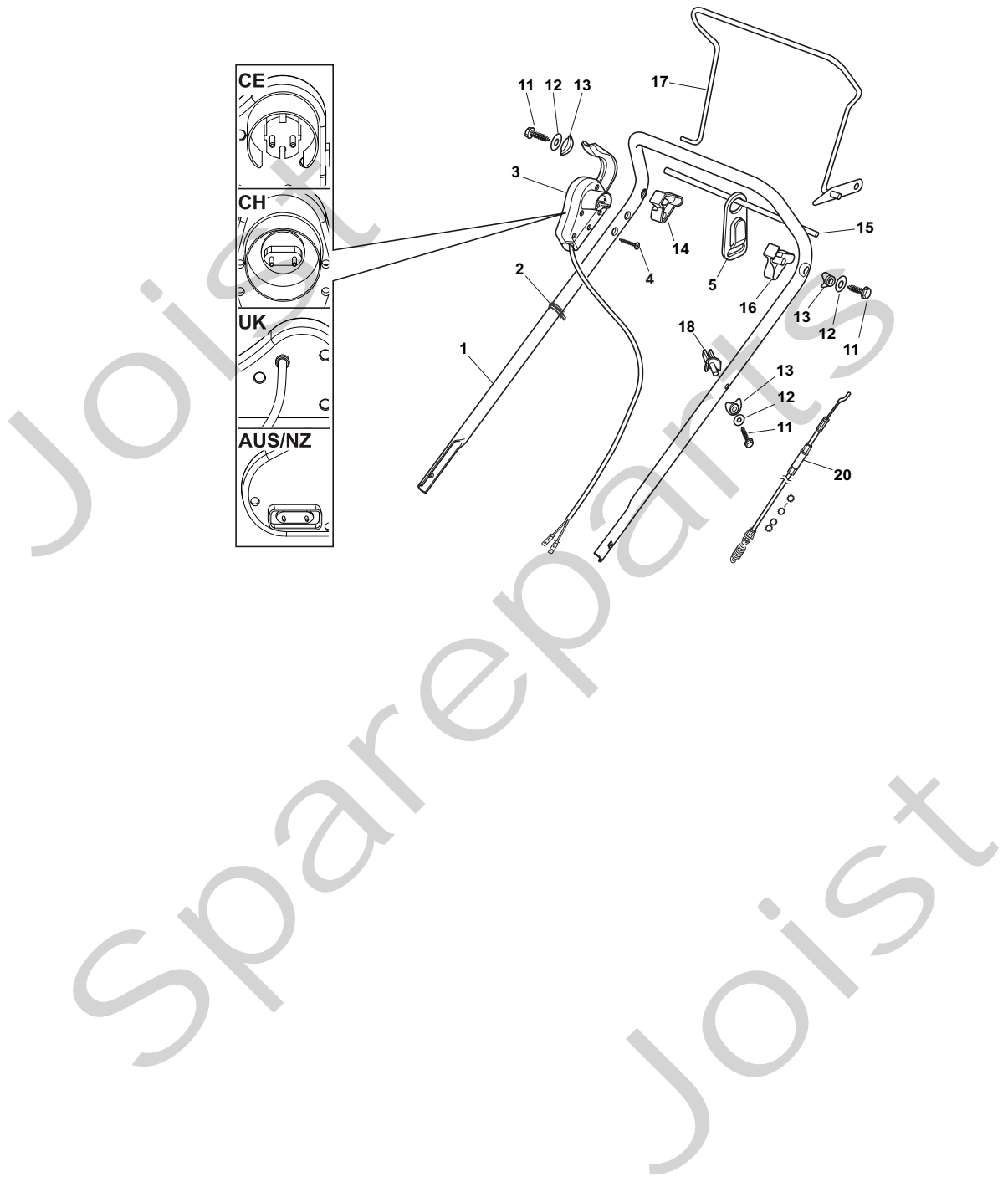
Position	Part No.	Q.Ty	Description
1	381007455/0	2	Wheel Ø 180
2	19216035/0	4	Bearing
3	322110638/0	2	Hub Cap
5	381007467/0	2	Wheel Ø 240
6	19216035/0	4	Bearing
7	112728706/0	6	Screw
8	322120117/0	2	Ring Gear
9	322110639/0	2	Hub Cap

Joist
Spareparts
Joist

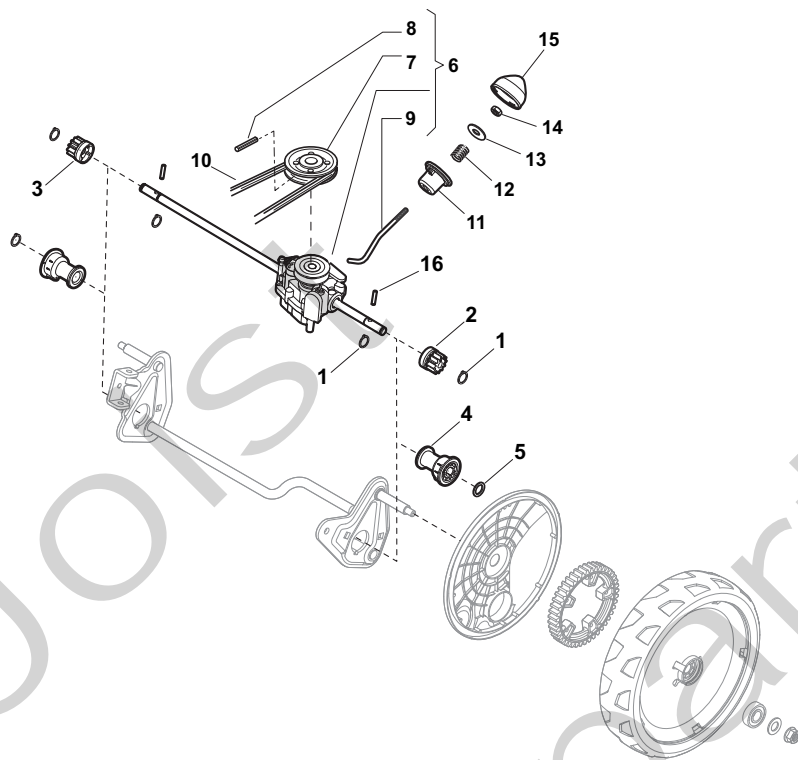


Position	Part No.	Q.Ty	Description
1	381006735/0	1	Handle, Lower Part
2	12819120/0	2	Screw
3	22680006/1	2	Washer
4	22399900/0	2	Knob
5	12293200/0	2	Nut
6	322551582/0	2	Isolation Plate
7	12819110/0	2	Screw
8	12523060/0	2	Washer
9	22399900/0	2	Knob
10	12293200/0	2	Nut
11	12155000/0	2	Nut
12	12521350/0	2	Washer
13	12521350/0	2	Washer
14	12793701/0	2	Screw
15	381008698/0	1	Outfit, Screws

Joist
Spareparts
Joist

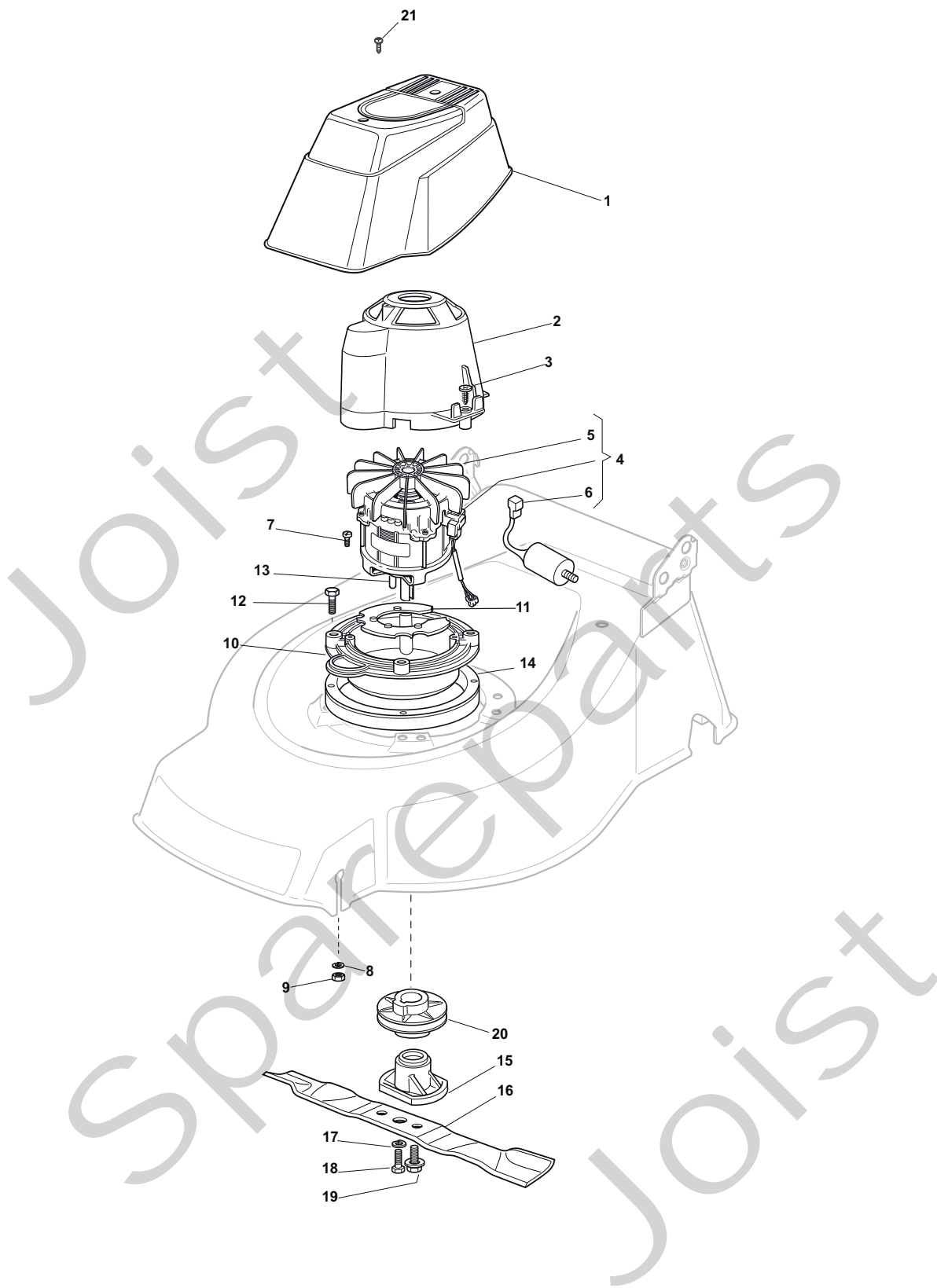


Position	Part No.	Q.Ty	Description
1	81006603/0	1	Handle, Upper Part
2	22192000/1	2	Clamp
3	81600500/1	1	Dead Hand Switch CE
3	81600501/1	1	Dead Hand Switch CH
3	81600502/1	1	Dead Hand Switch UK
3	18710628/0	1	Dead Hand Switch AUS-NZ
4	12728701/0	2	Screw
5	322195101/4	1	Fairlead
11	12735103/0	3	Screw
12	12523040/0	3	Washer
13	22680006/1	3	Washer
14	322806518/2	1	Support, R
15	22020320/0	1	Cable-Clamp Support
16	322806519/2	1	Support, L
17	81001245/1	1	Driving Lever
18	22806520/0	1	Support, Adjuster
20	381030012/0	1	Cable, Rear Drive

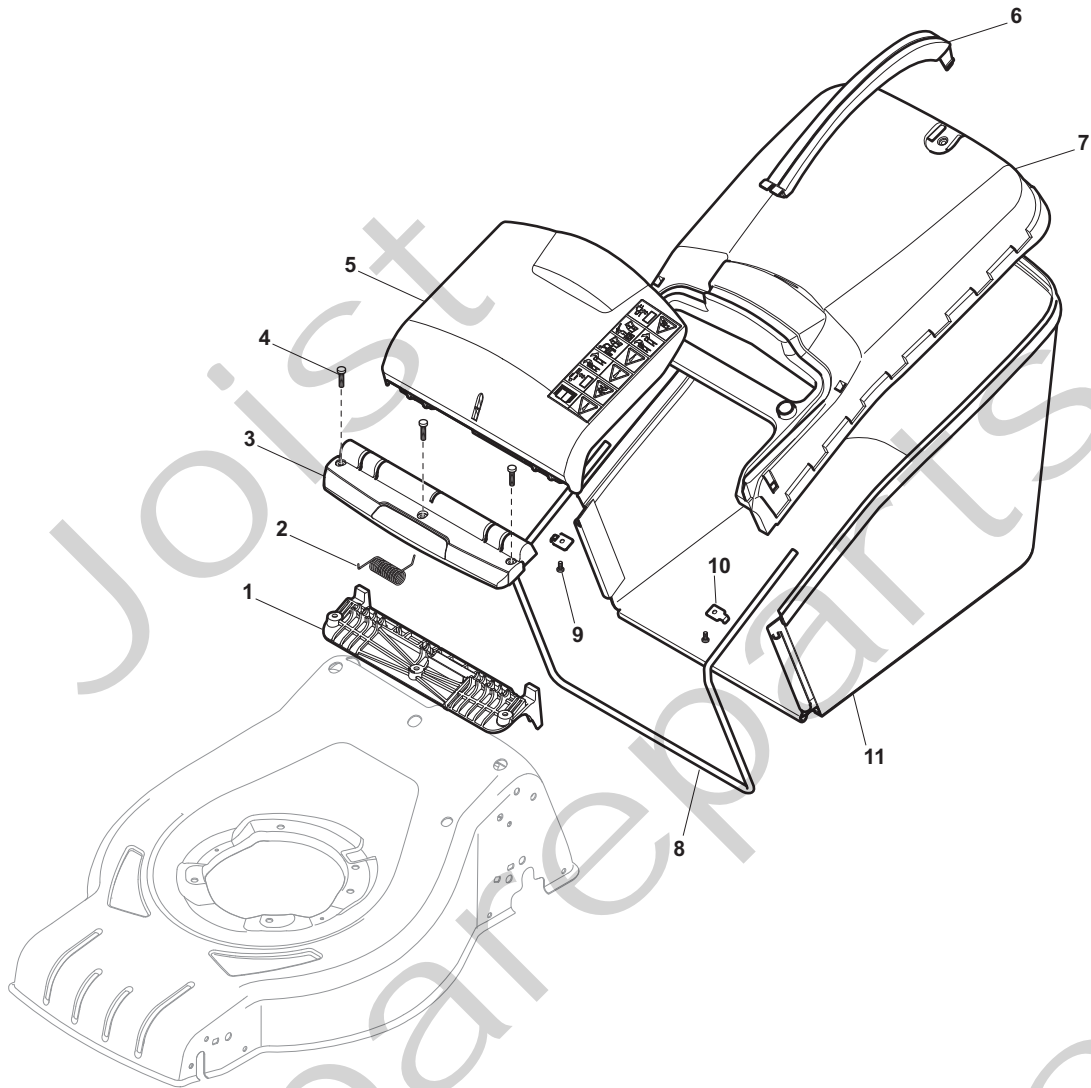


Position	Part No.	Q.Ty	Description
1	12608600/0	4	Seeger
2	22570120/1	1	Pinion L
3	22570110/1	1	Pinion R
4	322042066/0	2	Bush
5	112521371/0	2	Washer
6	81003092/0	1	Gear Box
7	22601904/0	1	Pulley
8	12645700/0	1	Pin
9	22033283/0	1	Adjustment Rod
10	35063800/0	1	Belt
11	22041957/1	1	Bush
12	22450063/0	1	Spring
13	22680009/0	1	Washer
14	12154510/0	1	Nut
15	22110230/0	1	Cap
16	22753000/0	2	Pin

Joist
Spareparts
Joist



Position	Part No.	Q.Ty	Description
1	22055045/1	1	Cover, Black
2	22785210/0	1	Support, Cover
3	12728710/0	4	Screw
4	118563641/1	1	Motor Atb 1800W
5	18740054/0	1	Fan Motor Atb
6	18222039/0	1	Condenser 18 µf
7	12735410/0	4	Screw
8	12583500/0	4	Washer
9	12293200/0	4	Nut
10	322207211/4	1	Flange
11	322720360/2	1	Ventilation Screen
12	12691800/0	4	Screw
13	12139440/0	1	Feather
14	22170960/1	1	Spacer
15	322463186/3	1	Hub
16	81004346/3	1	Blade Standard
16	81004397/0	1	Blade Winged
17	12583500/0	2	Washer
18	12793101/0	2	Screw
19	381004352/1	1	Screw
20	22601911/1	1	Pulley
21	12728680/0	2	Screw



Position	Part No.	Q.Ty	Description
1	322785331/0	1	Support
2	122450464/0	1	Spring
3	322109556/0	1	Cover, Yellow
4	112728699/0	3	Screw
5	322600214/1	1	Stone-Guard Yellow
6	322393646/0	1	Handle
7	322486264/0	1	Grassbox Upper Part Yellow
8	122608561/0	1	Stiffening Lower
9	12728692/0	2	Screw
10	322545159/0	2	Plate
11	181002318/0	1	Box, Fabric

Joist
Spareparts
Joist