

Genuine Spare Parts

www.stiga.com

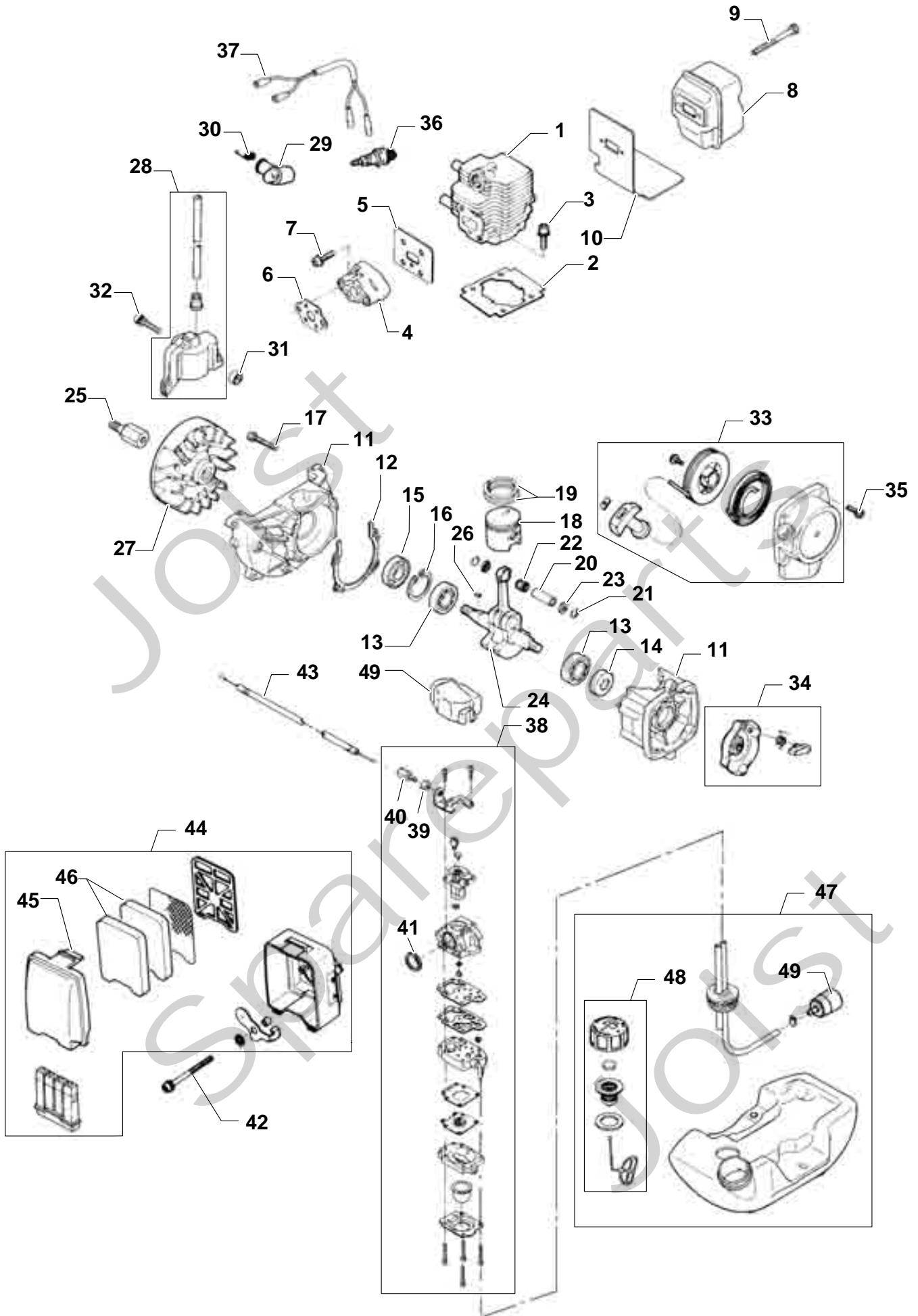
G6 @&) \$ <
Model Year 2011

- Use GLOBAL GARDEN PRODUCT Genuine Spare Parts specified in the parts list for repair and/or replacement.
- The contents described in the parts list may change due to improvement.
- The drawings of the spare parts are only indicative and might not represent the part in question exactly.
- The indications "right" - "left" - "front" - "rear" refer to the position of the operator when using the machine.
- When placing orders of parts for repair and/or replacement, make sure that the illustrated parts list is the one applying to the machine's year of manufacture, as shown on the identification plate attached to the machine.

COPYRIGHT by GLOBAL GARDEN PRODUCTS

All rights reserved. No part of this material may be reproduced or transmitted, in any form or by any means, electronic or mechanical, including photocopying, recording or by any information storage and retrieval system, without permission in writing from GLOBAL GARDEN PRODUCTS.

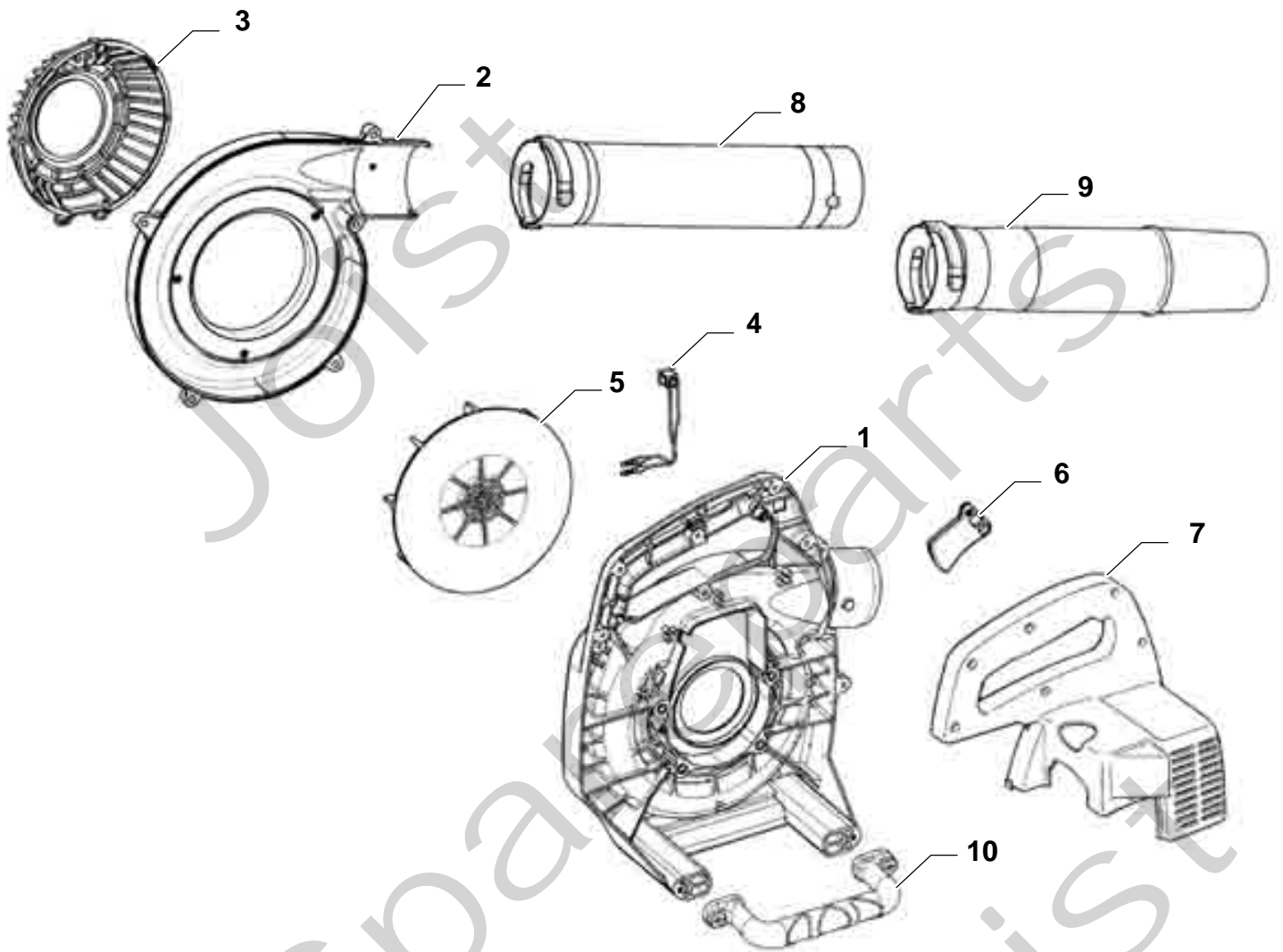
STIGA®





SBL 250 H

| Pos. Fig. | Antal Quantity | Art No Part No | Benämning | Description | Anmärkning Notes |
|-----------|----------------|----------------|------------------|-------------------------|------------------|
| 1 | 1 | 123071007/0 | Cylinder | Cylinder Assy | |
| 2 | 1 | 123280021/0 | Cylinderkåpa | Cylinder Gasket | |
| 3 | 1 | 123878046/0 | Skruv | Screw | |
| 4 | 1 | 123073507/0 | Insugningsrör | Intake Manifold | |
| 5 | 1 | 123280017/0 | Packning | Intake Manif-Gasket | |
| 6 | 1 | 123280018/0 | Packning | Intake-Carb Gasket | |
| 7 | 1 | 123878043/0 | Skruv | Screw | |
| 8 | 1 | 183740003/0 | Ljuddämpare | Muffler | |
| 9 | 1 | 123878048/0 | Skruv | Screw | |
| 10 | 1 | 123280020/0 | Packning | Gasket | |
| 11 | 1 | 183057005/0 | Vevhus | Crankcase | |
| 12 | 1 | 123280019/0 | Packning | Gasket | |
| 13 | 1 | 114215214/0 | Kullager | Ball Bearing | |
| 14 | 1 | 6995257 | Tätningring | Seal Ring | |
| 15 | 1 | 119035157/0 | Tätningring | Seal Ring | |
| 16 | 1 | 112610001/0 | Låsring | Ring | |
| 17 | 1 | 123878045/0 | Skruv | Screw | |
| 18 | 1 | 123590002/0 | Kolv | Piston | |
| 19 | 1 | 123204002/0 | Kolvring | Piston Ring | |
| 20 | 1 | 123760000/0 | Kolvbult | Piston Pin | |
| 21 | 1 | 6995171 | Låsring | Washer, Piston Pin | |
| 22 | 1 | 6995237 | Nållager | Needle Bearing | |
| 23 | 1 | 6995169 | Bricka | Washer | |
| 25 | 1 | 123020017/0 | Vevaxel | Crankshaft | |
| 25 | 1 | 123867011/0 | Stift | Pin | |
| 26 | 1 | 6995018 | Kil | Flywheel Key | |
| 27 | 1 | 123880004/0 | Svånghjul | Flywheel | |
| 28 | 1 | 123044005/0 | Elektron kspole | Electronic Coil | |
| 29 | 1 | 123053001/0 | Tändstiftshatt | Spark Plug Cover | |
| 30 | 1 | 123430576/0 | Tändstiftsfjäder | Spark Plug Spring | |
| 31 | 1 | 123160052/0 | Distans | Spacer | |
| 32 | 1 | 123878047/0 | Skruv | Screw | |
| 33 | 1 | 183058014/0 | Start kpl | Starter Ass.Y | |
| 34 | 1 | 183082001/0 | Startkopp | Starter Cup Ass.Y | |
| 35 | 1 | 123878042/0 | Skruv | Screw | |
| 36 | 1 | 3210024 | Tändstift | Spark Plug | |
| 37 | 1 | 183065011/0 | Jordkabel | Earth Cable | |
| 38 | 1 | 123054019/0 | Förgasare | Carburettor | |
| 39 | 1 | 123120002/0 | Mutter | Nut | |
| 40 | 1 | 123653000/0 | Gaswirejustering | Throttle Cable Adjuster | |
| 41 | 1 | 123044215/0 | O-ring | Or Ring | |
| 42 | 1 | 123878044/0 | Skruv | Screw | |
| 43 | 1 | 123066011/0 | Gaswire | Wire Ass.Y | |
| 44 | 1 | 183220001/0 | Luftfilter kpl | Air Filter Ass'Y | |
| 45 | 1 | 123109531/0 | Luftfilterkåpa | Filter Cover | |
| 46 | 1 | 123220007/0 | Luftfilter | Air Filter | |
| 47 | 1 | 183733003/0 | Bränsletank kpl | Kit Fuel Tank | |
| 48 | 1 | 183790006/0 | Tanklock | Cap Ass'Y, Fuel Tank | |
| 49 | 1 | 183520002/0 | Bränslefilter | Intake Filter Assy | |





SBL 250 H

| Pos. Fig. | Antal Quantity | Art No Part No | Benämning | Description | Anmärkning Notes |
|-----------|----------------|----------------|----------------|-----------------------|------------------|
| 1 | 1 | 123700050/0 | Handtag-gul | Semi-Handgrips Yellow | |
| 2 | 1 | 123109532/0 | Luftledare-gul | Air Conveyor, Yellow | |
| 3 | 1 | 123109534/0 | Kåpa | Cover | |
| 4 | 1 | 123303002/0 | Brytare | Switch | |
| 5 | 1 | 123876001/0 | Fläkt | Fan | |
| 6 | 1 | 123315073/0 | Gasreglage | Throttle Lever | |
| 7 | 1 | 123700048/0 | Handtag-gul | Semi-Handgrips Yellow | |
| 8 | 1 | 123867012/0 | Rör | Tube | |
| 9 | 1 | 123867013/0 | Rör | Tube | |
| 10 | 1 | 123300005/0 | Handtag | Handle | |