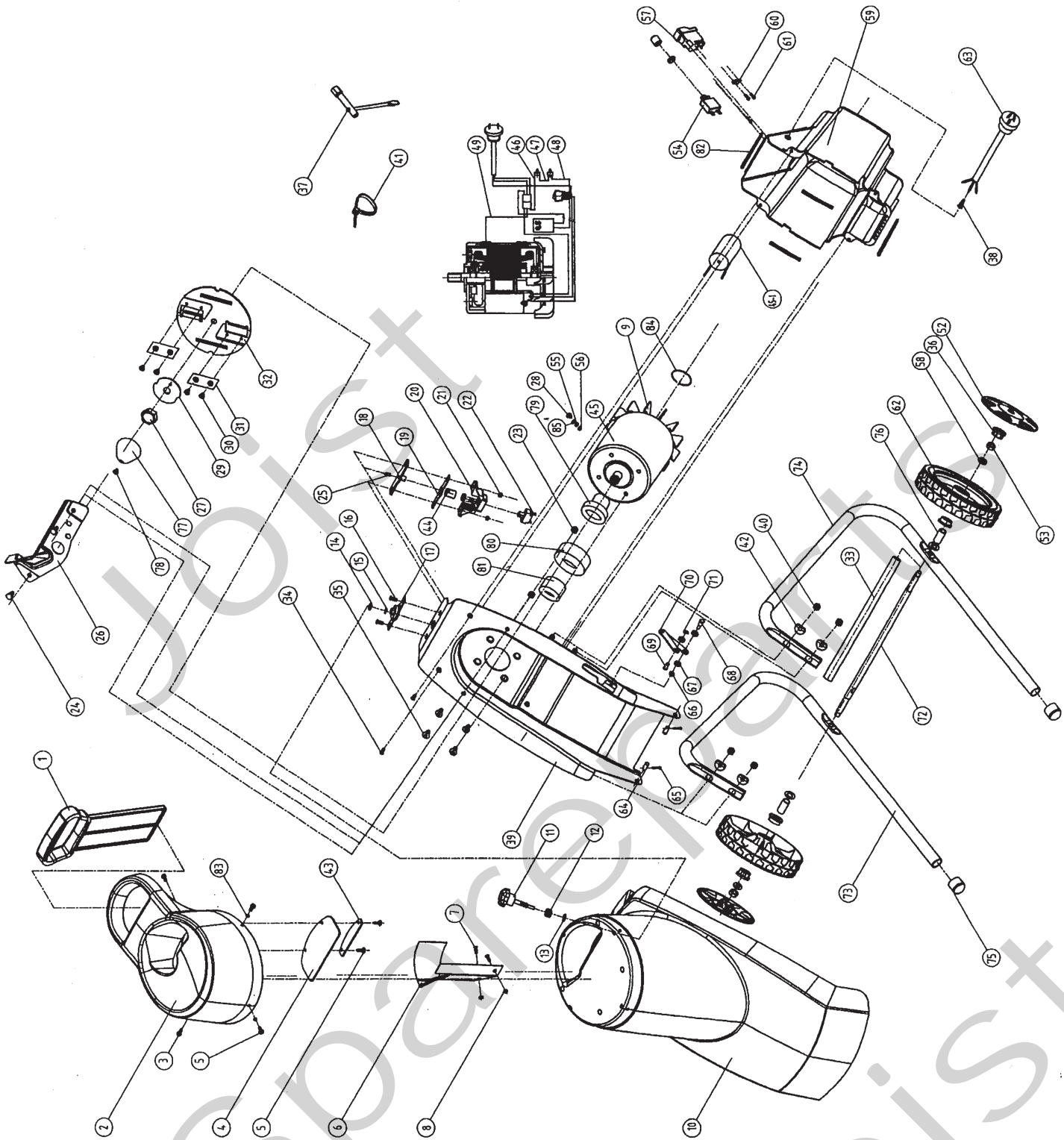


# Genuine Spare Parts

---

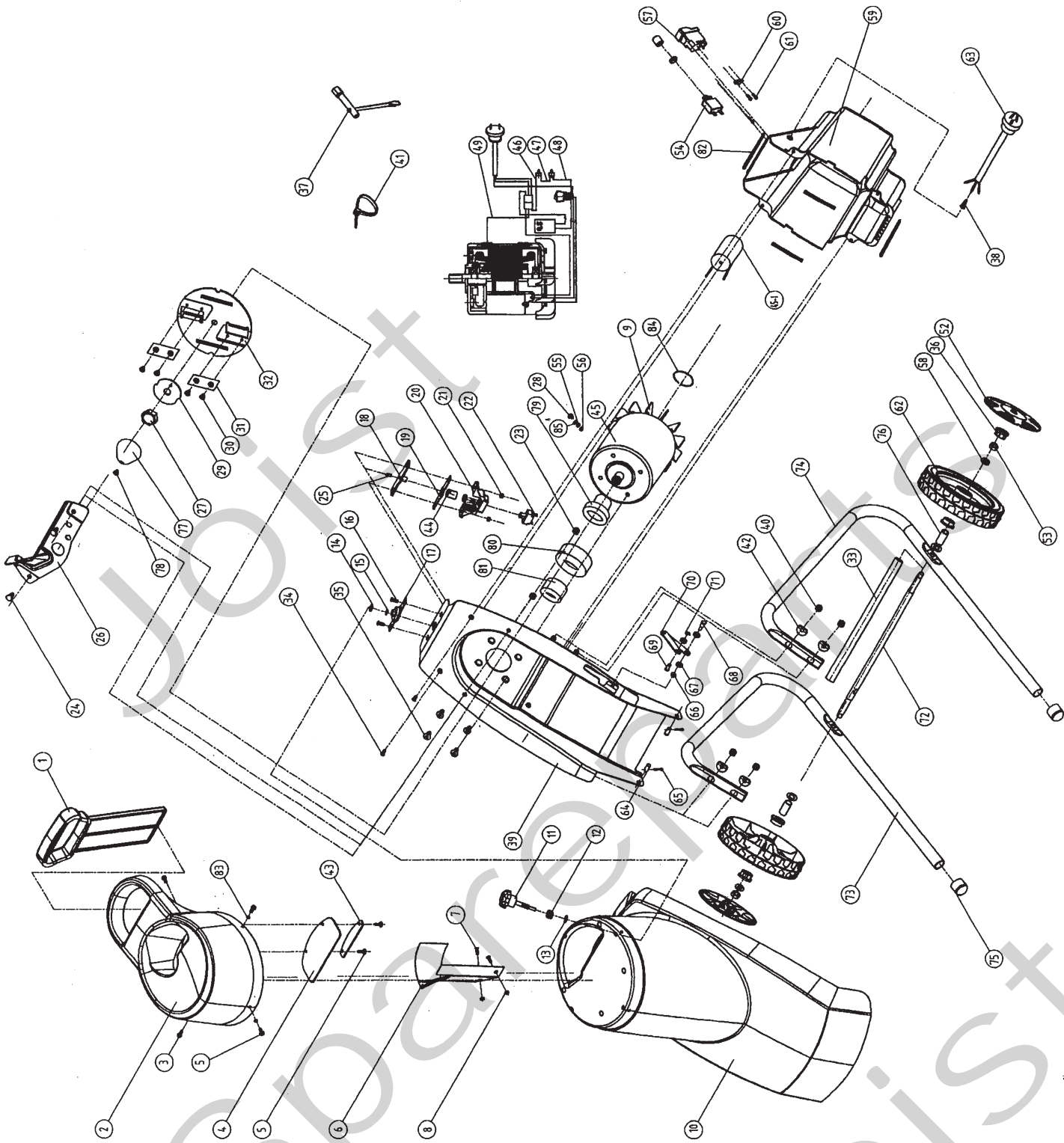


Joist  
Spareparts  
Joist



**STIGA**  
 1847  
 SPARE PARTS

Utgåva Issue		Bildnr Picture No		BIO 2000 KOMPOSTKVARN	BIO 2000 SHREDDER	Sida Page		
2005- 12		1847				228		
Pos. Fig.	Antal/Quantity			Art nr Part No	Benämning	Description	Sats Kit	Anmärkning Notes
	2656							
X	1	1		1717-0585-01	Inmatare .....	Feeding tool .....		
X	2	1		1717-0557-01	Inmatningsträtt .....	Hopper .....		
X	3	1		1717-0558-01	Envägsskruv .....	One-way screw .....		
X	4	1		1717-0559-01	Gummiduk .....	Rubber plate .....		
	5	5		9847-7916-16	Skruv .....	Screw .....		
X	6	1		1717-0561-01	Skyddsplåt .....	Guard plate .....		
	7	2		9997-0510-16	Skruv .....	Screw .....		
	8	2		9799-0531-02	Mutter .....	Nut .....		
X	9	1		1717-0593-01	Fläkt .....	Fan .....		
X	10	1		1717-0556-01	Hus .....	Housing .....		
X	11	1		1717-0563-01	Säkerhetsskruv .....	Safety screw .....		
X	12	1		1717-0565-01	Fjäder .....	Spring .....		
X	13	1		1717-0564-01	Fjädersäte .....	Spring seat .....		
X	14	1		1717-0541-01	Bricka .....	Washer .....		
X	15	1		1717-0536-01	Låsring .....	Ring .....		
	16	2		9997-0520-16	Skruv .....	Screw .....		
X	17	1		1717-0550-01	Plåt .....	Plate .....		
X	18	1		1717-0553-01	Brytarpackning .....	Switch gasket .....		
X	19	1		1717-0551-01	Fäste .....	Bracket .....		
X	20	1		1717-0549-01	Brytarfäste .....	Switch bracket .....		
	21	2		9799-0531-02	Mutter .....	Nut .....		
X	22	1		1717-0548-01	Brytare .....	Housing switch .....		
	23	2		9799-0831-02	Mutter .....	Nut .....		
	24	2		9997-0816-16	Skruv .....	Screw .....		
X	25	2		1717-0571-01	Tapp .....	Pin .....		
X	26	1		1717-0587-01	Mothåll .....	Counter plate .....		
X	27	1		1717-0531-01	Mutter .....	Nut .....		
X	28	1		1717-0533-01	Skruv .....	Screw .....		
X	29	1		1717-0545-01	Bricka .....	Washer .....		
X	30	4		1717-0530-01	Skruv .....	Screw .....		
X	31	2		1717-0586-01	Kniv .....	Blade .....		
X	32	1		1717-0588-01	Knivskiva .....	Blade disc .....		
X	33	1		1717-0573-01	Rör .....	Wheel axle tube .....		
X	34	4		1717-0534-01	Skruv .....	Screw .....		
	35	4		9924-0816-16	Skruv .....	Screw .....		
X	36	4		1717-0595-01	Hjulbussning .....	Wheel bushing .....		
X	37	1		1717-0582-01	Nyckel .....	Wrench .....		
X	38	1		1717-0583-01	Kabelhylsa .....	Cord carrier .....		
X	39	1		1717-0590-01	Motorplatta .....	Motor plate .....		
	40	4		9799-0831-02	Mutter .....	Nut .....		
	41	3		9579-0008-00	Buntband .....	Cable holder .....		
X	42	4		1717-0542-01	Bricka .....	Washer .....		
X	43	1		1717-0560-01	Plåt .....	Board .....		
X	44	1		1717-0572-01	Mutter .....	Nut .....		
X	45	1		1717-0592-01	Motor .....	Motor .....		
X	45 A	1		1717-0547-01	Kondensator .....	Condensator .....		
X	46	1		1717-0578-01	Kabel .....	Cable .....		
X	47	1		1717-0580-01	Kabel .....	Cable .....		
X	48	1		1717-0579-01	Kabel .....	Cable .....		
X	49	1		1717-0589-01	Kabel .....	Cable .....		
X	52	2		1717-0594-01	Hjulsköld .....	Wheel cover .....		
	53	2		9799-0831-02	Mutter .....	Nut .....		
X	54	1		1717-0554-01	Brytare .....	Circuit breaker .....		
X	55	1		1717-0538-01	Bricka .....	Washer .....		
X	56	1		1717-0535-01	Bricka .....	Washer .....		
X	57	1		1717-0555-01	Strömbrytare på/av .....	Start switch on/off .....		
X	58	6		1717-0529-01	Bricka .....	Washer .....		
X	59	1		1717-0546-01	Motorkåpa .....	Motor cap .....		
X	60	1		1717-0597-01	Dragavlastare .....	Cord restrainer .....		
	61	2		9847-7916-16	Skruv .....	Screw .....		
X	62	2		1717-0543-01	Hjul .....	Wheel .....		
X	63	1		1717-0574-01	Anslutningssladd .....	Power cord .....		
X	64	2		1717-0570-01	Tapp .....	Pin .....		



**STIGA**  
 1847  
 SPARE PARTS

Utgåva Issue		Bildnr Picture No		BIO 2000 KOMPOSTKVARN	BIO 2000 SHREDDER	Sida Page		
2005-12		1847				230		
Pos. Fig.	Antal/Quantity			Art nr Part No	Benämning	Description	Sats Kit	Anmärkning Notes
	2656							
X	65	2		1717-0532-01	Låsnål.....	Pin .....		
	66	1		9799-0631-02	Mutter.....	Nut .....		
X	67	3		1717-0575-01	Gummipackning .....	Rubber tube .....		
X	68	1		1717-0576-01	Pinnbult.....	Screw rod .....		
X	69	1		1717-0577-01	Tapp.....	Pin .....		
X	70	1		1717-0566-01	Gångjärn.....	Hinge .....		
X	71	1		1717-0537-01	Låsring .....	E-ring .....		
X	72	1		1717-0581-01	Hjulaxel.....	Wheel axle.....		
X	73	1		1717-0562-01	Ben- hö .....	Leg- RH .....		
X	74	1		1717-0552-01	Ben- vä.....	Leg- LH .....		
X	75	2		1717-0596-01	Plugg .....	Plug .....		
X	76	2		1717-0544-01	Distans .....	Spacer .....		
X	77	1		1717-0569-01	Mutterlock .....	Nut cap .....		Not used on all
	78	1		9997-0510-16	Skruv .....	Screw .....		
X	79	1		1717-0591-01	Motordistans .....	Motor spacer.....		
X	80	1		1717-0568-01	Motordistans .....	Motor spacer.....		
X	81	1		1717-0567-01	Distans .....	Spacer .....		
X	82	1		1717-0584-01	Packning.....	Gasket strip .....		
X	83	4		1717-0540-01	Bricka .....	Washer.....		
X	84	1		1717-0536-01	Låsring .....	Ring .....		
X	85	1		1717-0539-01	Bricka .....	Washer.....		