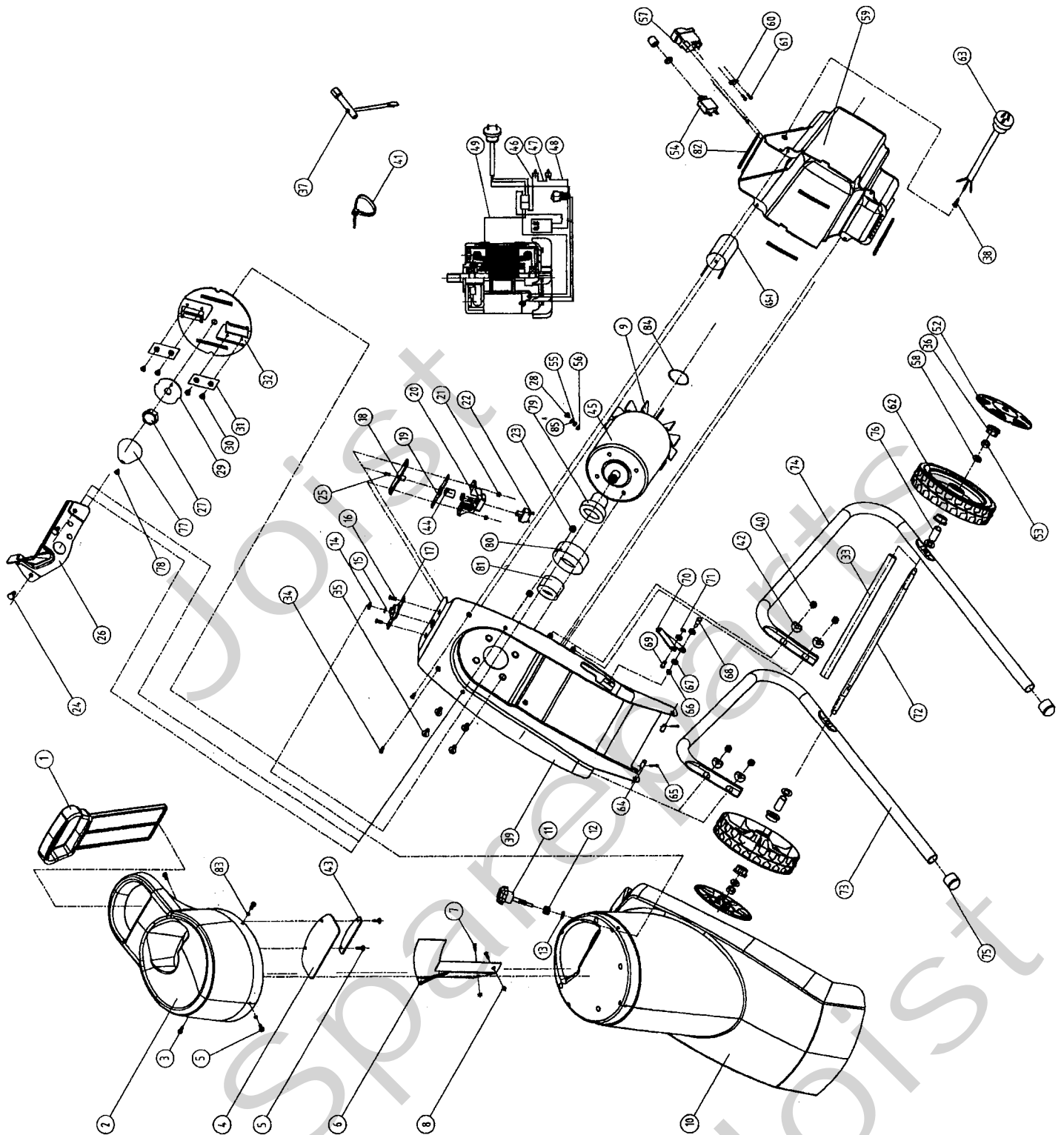


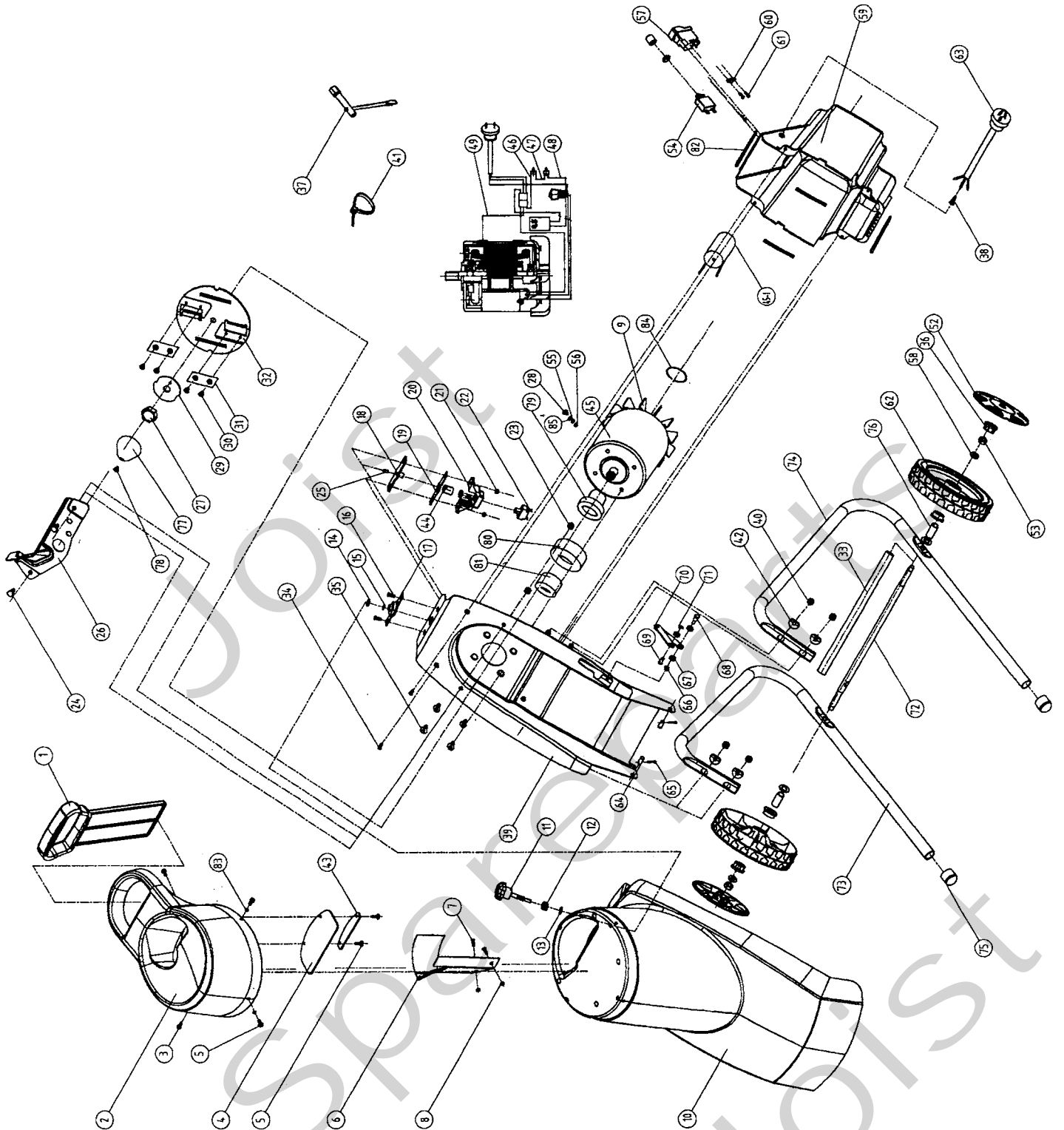
Genuine Spare Parts



Spareparts
Joist



Utgåva Issue		Bildnr Picture No		BIO 2000 KOMPOSTKVARN	BIO 2000 CHIPPER	Sida Page		
2006- 12		1847				224		
Pos. Fig.	Antal/Quantity			Art nr Part No	Benämning	Description	Sats Kit	Anmärkning Notes
	2656 -22							
1	1			1717-0585-01	Inmatare	Feeding tool		
2	1			1717-0557-01	Inmatningsträtt.....	Hopper		
3	1			1717-0558-01	Envägsskruv	One-way screw.....		
4	1			1717-0559-01	Gummiduk.....	Rubber plate		
5	5			9847-7916-16	Skruv.....	Screw.....		
6	1			1717-0561-01	Skyddsplåt.....	Guard plate		
7	2			9997-0510-16	Skruv.....	Screw.....		
8	2			9799-0531-02	Mutter.....	Nut		
9	1			1717-0593-01	Fläkt.....	Fan		
10	1			1717-0556-01	Hus	Housing		
11	1			1717-0563-01	Säkerhetsskruv.....	Safety screw		
12	1			1717-0565-01	Fjäder.....	Spring		
13	1			1717-0564-01	Fjädersäte.....	Spring seat.....		
14	1			1717-0541-01	Bricka	Washer.....		
15	1			1717-0536-01	Låsring	Ring		
16	2			9997-0520-16	Skruv.....	Screw.....		
17	1			1717-0550-01	Plåt	Plate		
18	1			1717-0553-01	Brytarpackning	Switch gasket.....		
19	1			1717-0551-01	Fäste.....	Bracket.....		
20	1			1717-0549-01	Brytarfäste.....	Switch bracket		
21	2			9799-0531-02	Mutter.....	Nut		
22	1			1717-0548-01	Brytare.....	Housing switch		
23	2			9799-0831-02	Mutter.....	Nut		
24	2			9997-0816-16	Skruv.....	Screw.....		
25	2			1717-0571-01	Tapp.....	Pin		
26	1			1717-0587-01	Mothåll	Counter plate.....		
27	1			1717-0531-01	Mutter.....	Nut		
28	1			1717-0533-01	Skruv.....	Screw.....		
29	1			1717-0545-01	Bricka	Washer.....		
30	4			1717-0530-01	Skruv.....	Screw.....		
31	2			1717-0586-01	Kniv	Blade.....		
32	1			1717-0588-01	Knivskiva	Blade disc		
33	1			1717-0573-01	Rör	Wheel axle tube.....		
34	4			1717-0534-01	Skruv.....	Screw.....		
35	4			9924-0816-16	Skruv.....	Screw.....		
36	4			1717-0595-01	Hjulbussning	Wheel bushing		
37	1			1717-0582-01	Nyckel.....	Wrench		
38	1			1717-0583-01	Kabelhylsa	Cord carrier.....		
39	1			1717-0590-01	Motorplatta.....	Motor plate		
40	4			9799-0831-02	Mutter.....	Nut		
41	3			9579-0008-00	Buntband.....	Cable holder.....		
42	4			1717-0542-01	Bricka	Washer.....		
43	1			1717-0560-01	Plåt	Board		
44	1			1717-0572-01	Mutter.....	Nut		
45	1			1717-0592-01	Motor.....	Motor.....		
45A	1			1717-0547-01	Kondensator	Condensor		
46	1			1717-0578-01	Kabel	Cable.....		
47	1			1717-0580-01	Kabel	Cable.....		
48	1			1717-0579-01	Kabel	Cable.....		
49	1			1717-0589-01	Kabel	Cable.....		
52	2			1717-0594-01	Hjulsköld	Wheel cover		
53	2			9799-0831-02	Mutter.....	Nut		
54	1			1717-0554-01	Brytare.....	Circuit breaker.....		
55	1			1717-0538-01	Bricka	Washer.....		
56	1			1717-0535-01	Bricka	Washer.....		
57	1			1717-0555-01	Strömbrytare på/av.....	Start switch on/off		
58	6			1717-0529-01	Bricka	Washer.....		
59	1			1717-0546-01	Motor kåpa	Motor cap		
60	1			1717-0597-01	Dragavlastare.....	Cord restrainer		
61	2			9847-7916-16	Skruv.....	Screw.....		
62	2			1717-0543-01	Hjul.....	Wheel.....		
63	1			1717-0574-01	Anslutningssladd.....	Power cord		
64	2			1717-0570-01	Tapp.....	Pin		



Utgåva Issue		Bildnr Picture No		BIO 2000 KOMPOSTKVARN	BIO 2000 CHIPPER	Sida Page		
2006-12		1847				226		
Pos. Fig.	Antal/Quantity			Art nr Part No	Benämning	Description	Sats Kit	Anmärkning Notes
	2656 -22							
65	2			1717-0532-01	Låsnål.....	Pin		
66	1			9799-0631-02	Mutter.....	Nut		
67	3			1717-0575-01	Gummipackning	Rubber tube		
68	1			1717-0576-01	Pinnbult	Screw rod		
69	1			1717-0577-01	Tapp.....	Pin		
70	1			1717-0566-01	Gångjärn.....	Hinge		
71	1			1717-0537-01	Låsring	E-ring		
72	1			1717-0581-01	Hjulaxel.....	Wheel axle.....		
73	1			1717-0562-01	Ben- hö.....	Leg- RH		
74	1			1717-0552-01	Ben- vä.....	Leg- LH		
75	2			1717-0596-01	Plugg.....	Plug		
76	2			1717-0544-01	Distans	Spacer.....		
77	1			1717-0569-01	Mutterlock	Nut cap		Not used on all
78	1			9997-0510-16	Skruv.....	Screw		
79	1			1717-0591-01	Motordistans	Motor spacer.....		
80	1			1717-0568-01	Motordistans	Motor spacer.....		
81	1			1717-0567-01	Distans	Spacer		
82	1			1717-0584-01	Packning.....	Gasket strip.....		
83	4			1717-0540-01	Bricka	Washer.....		
84	1			1717-0536-01	Låsring	Ring		
85	1			1717-0539-01	Bricka	Washer.....		