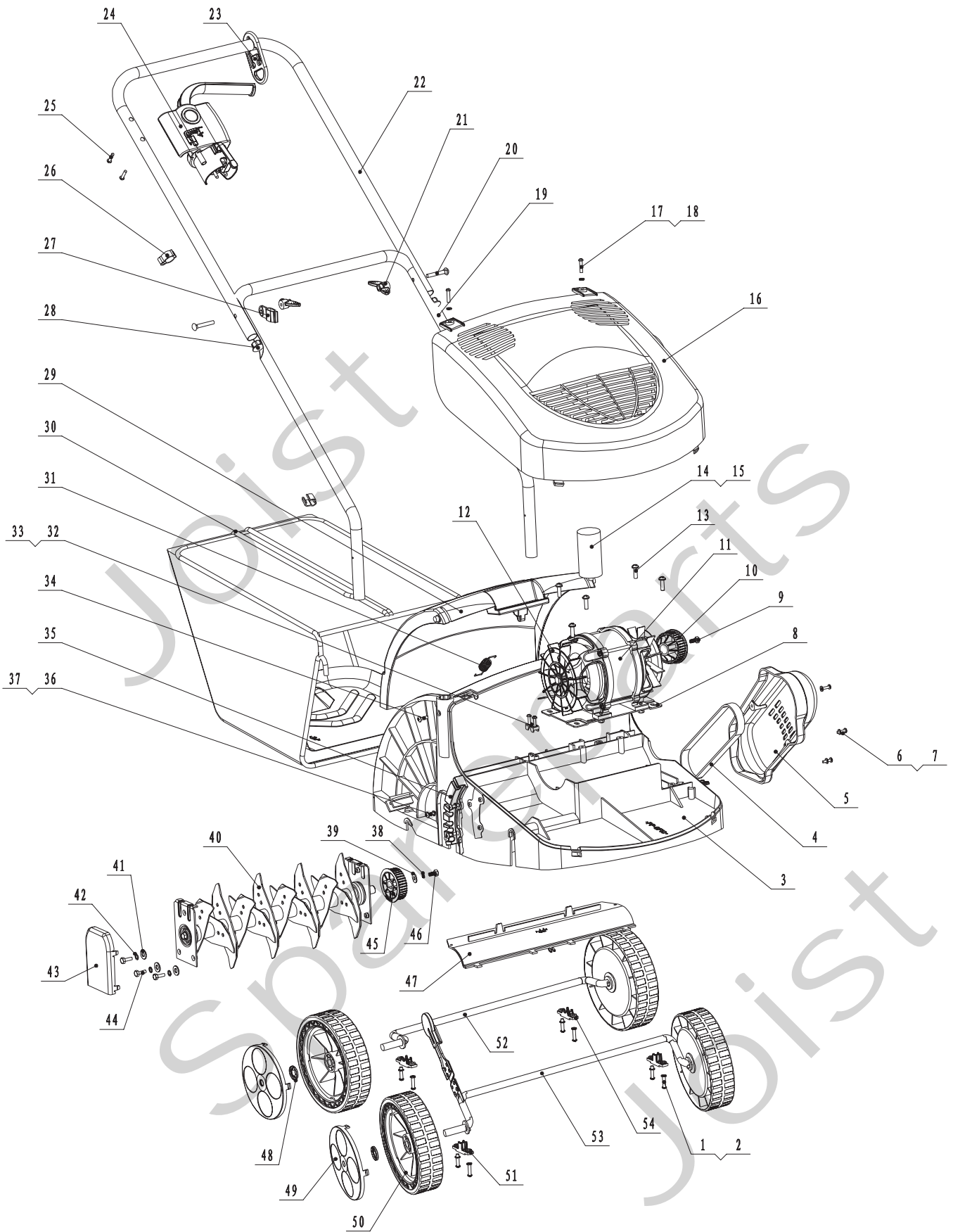


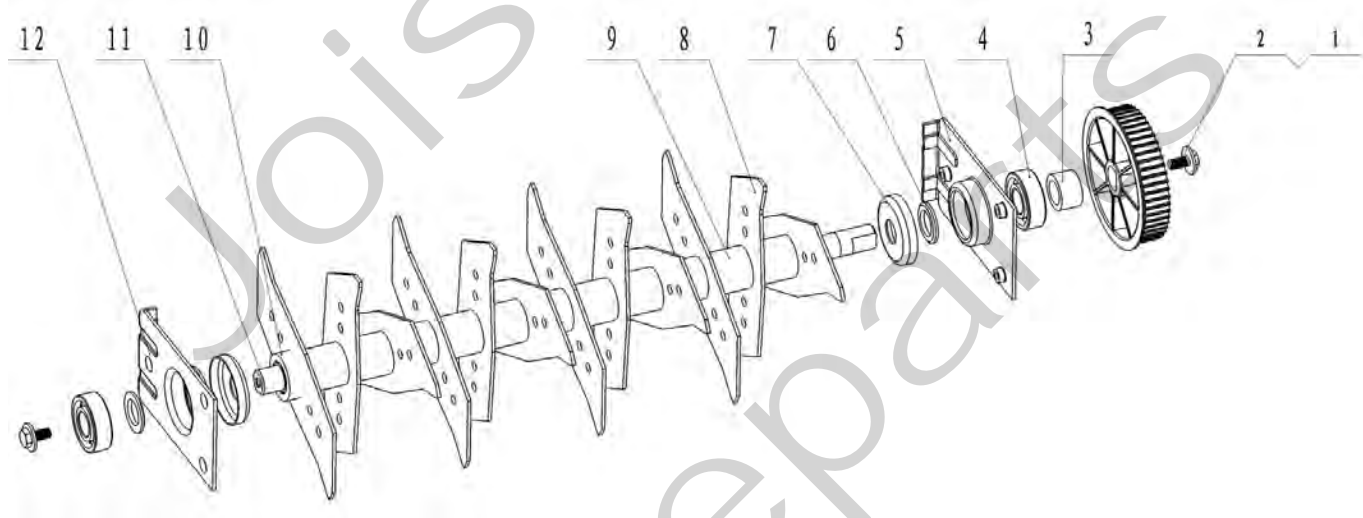
Genuine Spare Parts



Joist
Spareparts
Joist



Utgåva Issue		Bildnr Picture No		VE 32 VERTIKALSKÄRARE		VE 32 SCARIFIER		Sida Page	
2007- 12		2047A						226	
Pos. Fig.	Antal/Quantity				Art nr Part No	Benämning	Description	Sats Kit	Anmärkning Notes
	2515 -11								
1	8			1716-0006-01	Skruv.....	Screw.....			
2	8			1716-0010-01	Bricka.....	Washer.....			
3	1			1716-0021-01	Chassi.....	Chassis.....			
4	1			1716-0015-01	Drivrem.....	Belt.....			
5	1			1716-0022-01	Remskydd.....	Belt cover.....			
6	3			9847-8016-16	Skruv.....	Screw.....			
7	3			1716-0009-01	Bricka.....	Washer.....			
8	1			1716-0199-01	Motorplatta.....	Motor base.....			
9	1			1716-0035-01	Skruv.....	Screw.....			
10	1			1716-0016-01	Remskiva- motor.....	Drive wheel- motor.....			
11	1			1716-0197-01	Motor.....	Motor.....		1500W	
12	1			1716-0193-01	Fläkt.....	Fan.....			
13	4			1716-0188-01	Skruv.....	Screw.....			
14	1			1716-0190-01	Kondensator 25 uF.....	Capacitor 25 uF.....			
15	1			9683-0030-02	Låsbricka.....	Lock washer.....			
16	1			1716-0023-01	Frontkåpa- gul.....	Front cover- yellow.....			
17	2			1716-0006-01	Skruv.....	Screw.....			
18	2			1716-0010-01	Bricka.....	Washer.....			
19	1			1716-0050-01	Styre- underdel.....	Handle- lower.....			
20	2			1716-0003-01	Skruv.....	Screw.....			
21	2			1716-0001-01	Lås ratt.....	Locking knob.....			
22	1			1716-0049-01	Styre- överdel.....	Handle- upper.....			
23	1			1716-0192-01	Kabelhållare.....	Cable- kink protection.....			
24	1			1716-0200-01	Manöverdosa.....	On/off switch.....			
25	2			9847-8016-16	Skruv.....	Screw.....			
26	2			1716-0031-01	Kabelhållare.....	Cable clamp.....			
27	1			1716-0025-01	Kabelhållare.....	Cable clamp.....			
28	2			1716-0019-01	Plugg.....	Cap.....			
29	1			1716-0026-01	Lucka- gul.....	Deflector plate- yello.....			
30	1			26-9936-12	Uppsamlare kpl.....	Collector assy.....			
31	1			1716-0051-01	Fjäder.....	Spring.....			
32	2			1716-0004-01	Skruv.....	Screw.....			
33	1			1716-0014-01	Kabelklämma.....	Cable clip.....			
34	2			9847-8016-16	Skruv.....	Screw.....			
35	1			1716-0030-01	Höjdinställ.sektor.....	Height adjust sector.....			
36	3			9847-8016-16	Skruv.....	Screw.....			
37	3			1716-0009-01	Bricka.....	Washer.....			
38	1			1716-0012-01	Fjäderbricka.....	Spring washer.....			
39	2			1716-0011-01	Planbricka.....	Flat washer.....			
40	1			1716-0034-01	Knivaxel kpl.....	Blade shaft assy.....			
41	6			1716-0011-01	Planbricka.....	Flat washer.....			
42	6			1716-0012-01	Fjäderbricka.....	Spring washer.....			
43	1			1716-0027-01	Sidokåpa.....	Side cover.....			
44	6			1716-0187-01	Skruv.....	Screw.....			
45	1			1716-0018-01	Remskiva- knivaxel.....	Drive wheel- blade.....			
46	2			1716-0187-01	Skruv.....	Screw.....			
47	1			1716-0028-01	Skydd.....	Cover.....			
48	4			1716-0056-01	Låsring.....	Snap ring.....			
49	4			1716-0054-01	Navkapsel- gul.....	Wheel cover- yellow.....			
50	4			1716-0053-01	Hjul.....	Wheel.....			
51	2			1716-0020-01	Hjulaxelfäste- fram.....	Axle fitting- front.....			
52	1			1716-0048-01	Hjulaxel- bak.....	Wheel shaft- rear.....			
53	1			1716-0198-01	Hjulaxel- fram.....	Wheel shaft- front.....			
54	2			1716-0029-01	Hjulaxelfäste- bak.....	Axle fitting- rear.....			



Joist
Spareparts
Joist

Utgåva Issue		Bildnr Picture No		VE 32 VERTIKALSKÄRARE		VE 32 SCARIFIER		Sida Page	
2007- 12		2048						228	
Pos. Fig.	Antal/Quantity				Art nr Part No	Benämning	Description	Sats Kit	Anmärkning Notes
	2515 -11								
0	1			1716-0034-01	Knivaxel kpl	Blade shaft assy		Inkl. pos 1 - 12	
1	2			1716-0187-01	• Skruv	• Screw			
2	2			1716-0011-01	• Planbricka	• Flat washer			
2	2			1716-0012-01	• Fjäderbricka	• Spring washer			
3	1			1716-0037-01	• Distans	• Spacer			
4	1			1716-0038-01	• Kullager	• Ball bearing		Sats 2 st/kit of 2	
5	1			1716-0039-01	• Lagerplatta- vä	• Bearing base- LH			
6	1			1716-0040-01	• Lagerbricka	• Bearing washer		Sats 2 st/kit of 2	
7	1			1716-0041-01	• Lagerskydd	• Bearing cuff		Sats 2 st/kit of 2	
8	1			1716-0042-01	• Knivsats	• Blade kit		Sats 12 st/kit of 12	
9	1			1716-0043-01	• Knivdistanssats	• Blade spacer kit		Sats 11 st/kit of 11	
10	1			1716-0044-01	• Lagerdistans	• Bearing spacer		Sats 2 st/kit of 2	
11	1			1716-0045-01	• Knivaxel	• Blade shaft			
12	1			1716-0046-01	• Lagerplatta- hö	• Bearing base- RH			